



US00D784338S

(12) **United States Design Patent**
Lee et al.

(10) **Patent No.:** **US D784,338 S**
(45) **Date of Patent:** **** Apr. 18, 2017**

(54) **ELECTRONIC CONNECTION HUB**

(71) Applicant: **JMTEK, LLC**, Kent, WA (US)

(72) Inventors: **Kyu Bong Lee**, Tacoma, WA (US); **Tai Yiu Ly**, Kent, WA (US)

(73) Assignee: **JMTEK, LLC**, Kent, WA (US)

(**) Term: **14 Years**

(21) Appl. No.: **29/513,793**

(22) Filed: **Jan. 5, 2015**

(51) **LOC (10) Cl.** **14-02**

(52) **U.S. Cl.**
USPC **D14/433**

(58) **Field of Classification Search**
USPC D14/356-358, 383-385, 420, 426, 427,
D14/432-439, 447, 453, 454, 217, 253,
D14/299; D13/107, 108, 133, 146, 147,
D13/152, 154, 156, 158, 162, 162.1, 168,
D13/173, 177, 153; 439/131, 172-174,
439/373, 378, 607.41, 607.55, 607.34, 40;
361/679.08, 679.56, 679.21, 679.4;
174/359
CPC H01R 24/64; H01R 24/62; H01R 12/714;
H01R 13/506; H01R 13/6658
See application file for complete search history.

(56) **References Cited**

U.S. PATENT DOCUMENTS

D604,725 S * 11/2009 Chen D13/184
D631,883 S * 2/2011 Maier D14/435.1
D635,142 S * 3/2011 Borislow D14/435.1
D669,899 S * 10/2012 Cheng D14/435.1
D672,780 S * 12/2012 Chen D13/147
D704,578 S * 5/2014 Chen D10/70
D707,234 S * 6/2014 Tan D14/480.1
D721,374 S * 1/2015 Liu D14/433
D730,904 S * 6/2015 Liu D14/433

D731,489 S * 6/2015 Langhammer D14/433
D732,035 S * 6/2015 Akana D14/433
D741,865 S * 10/2015 Sundermeyer D14/433

(Continued)

Primary Examiner — Austin Murphy

(74) *Attorney, Agent, or Firm* — DWC Law Firm, P.S.;
David Chen

(57) **CLAIM**

The ornamental design for an electronic connection hub, as shown and described.

DESCRIPTION

FIG. 1 is a top perspective view of an embodiment of the electronic connection hub of the claimed invention.

FIG. 2 is a bottom perspective view of the electronic connection hub of FIG. 1.

FIG. 3 is a front side elevation view of the electronic connection hub of FIG. 1.

FIG. 4 is a back side elevation view of the electronic connection hub of FIG. 1.

FIG. 5 is a right side elevation view of the electronic connection hub of FIG. 1.

FIG. 6 is a left side elevation view of the electronic connection hub of FIG. 1.

FIG. 7 is a top plan view of the electronic connection hub of FIG. 1.

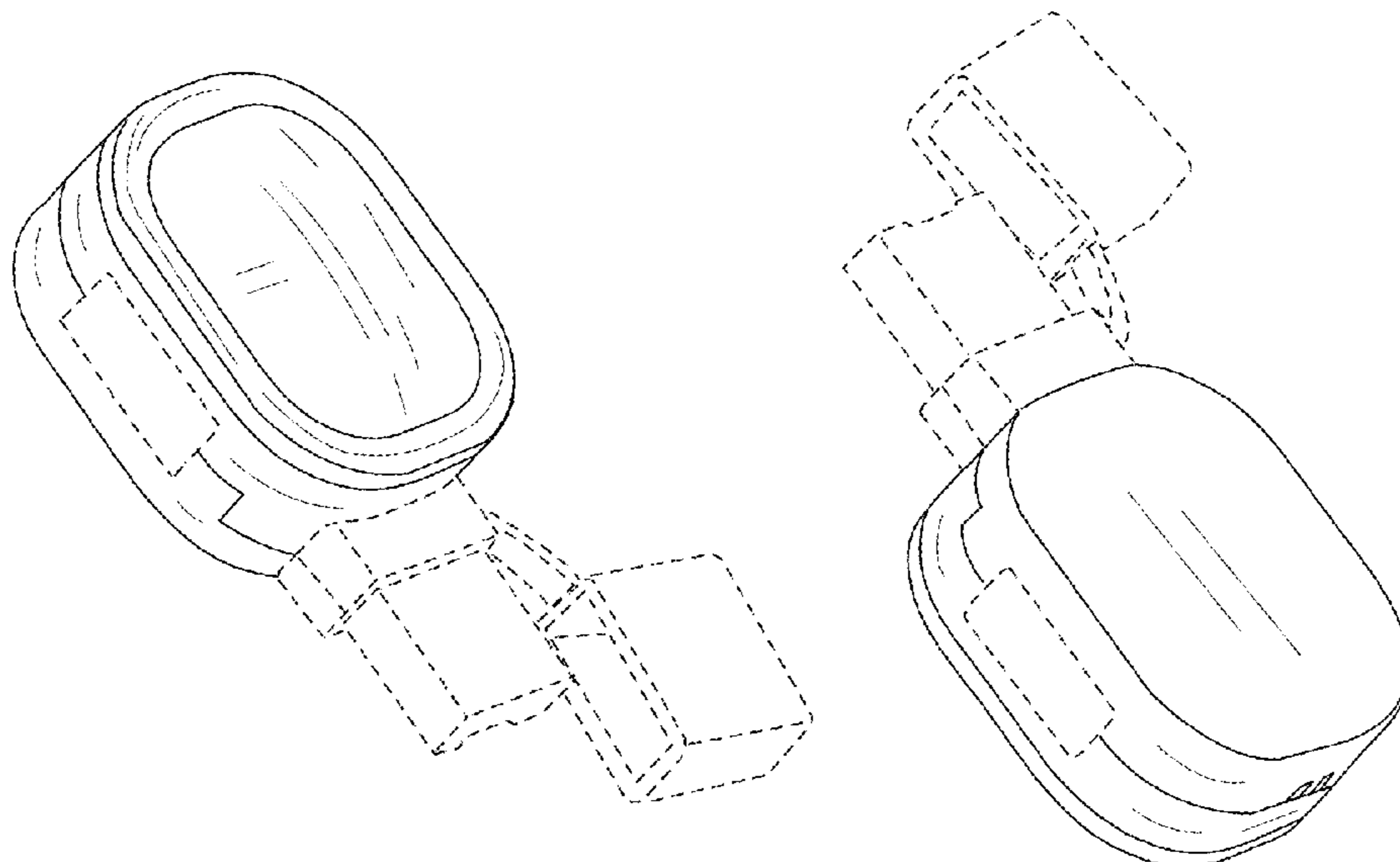
FIG. 8 is a bottom plan view of the electronic connection hub of FIG. 1; and,

FIG. 9 is a top plan view of an alternative embodiment of the electronic connection hub of FIG. 1, showing light emitting from a perimeter portion of the electronic connection hub.

The intersecting dot lines shown in FIG. 9 represent light rays that are emitted from interior decorative lighting sources within the various embodiments of the electronic connection hub.

The broken lines shown in the drawings illustrate portions of the electronic connection hub, which form no part of the claimed design.

1 Claim, 5 Drawing Sheets



(56)

References Cited

U.S. PATENT DOCUMENTS

D743,965 S * 11/2015 Laffon de Mazieres D13/154
D751,560 S * 3/2016 Akana D14/433
D755,183 S * 5/2016 Patel D14/433

* cited by examiner

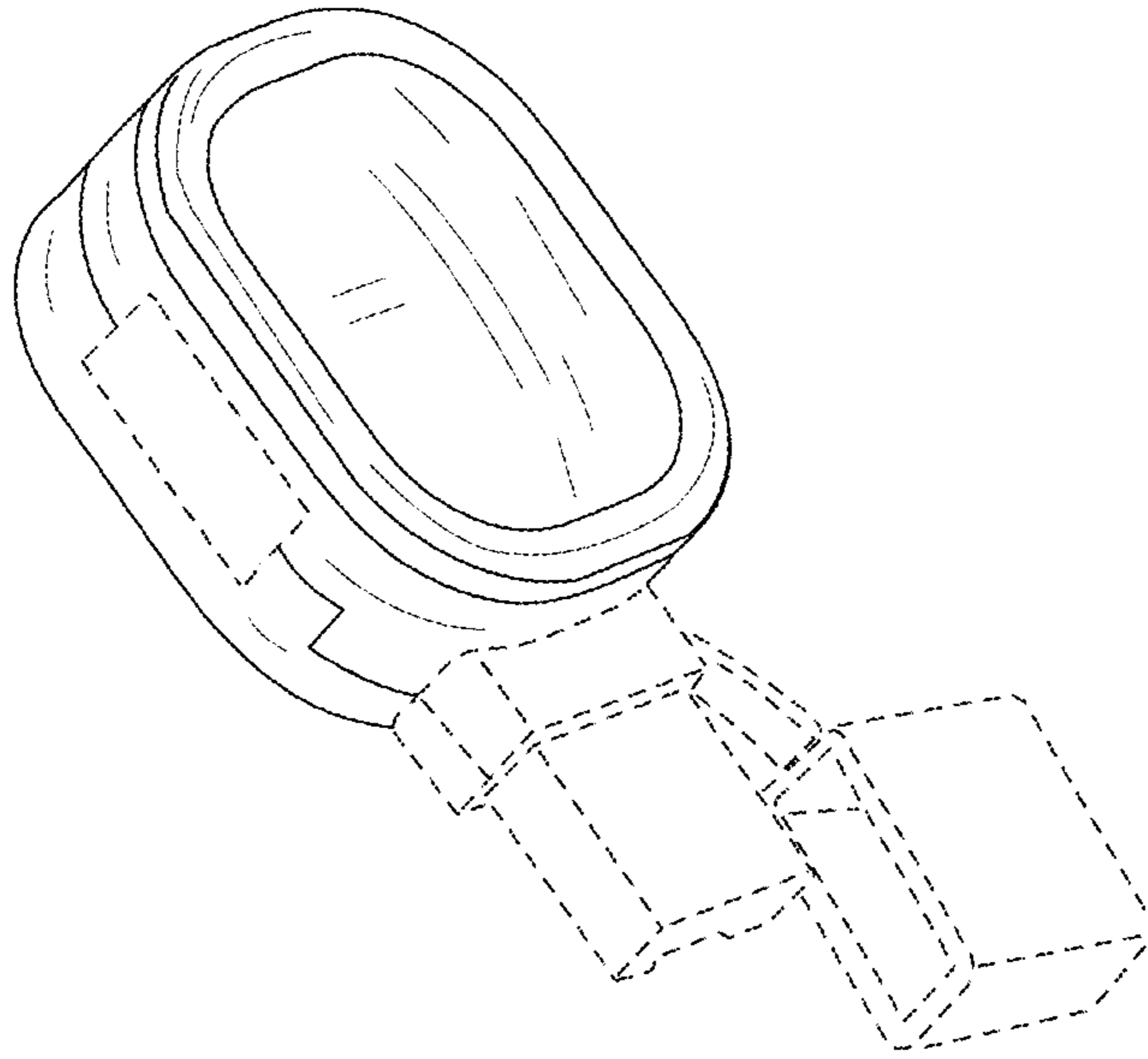


FIG. 1

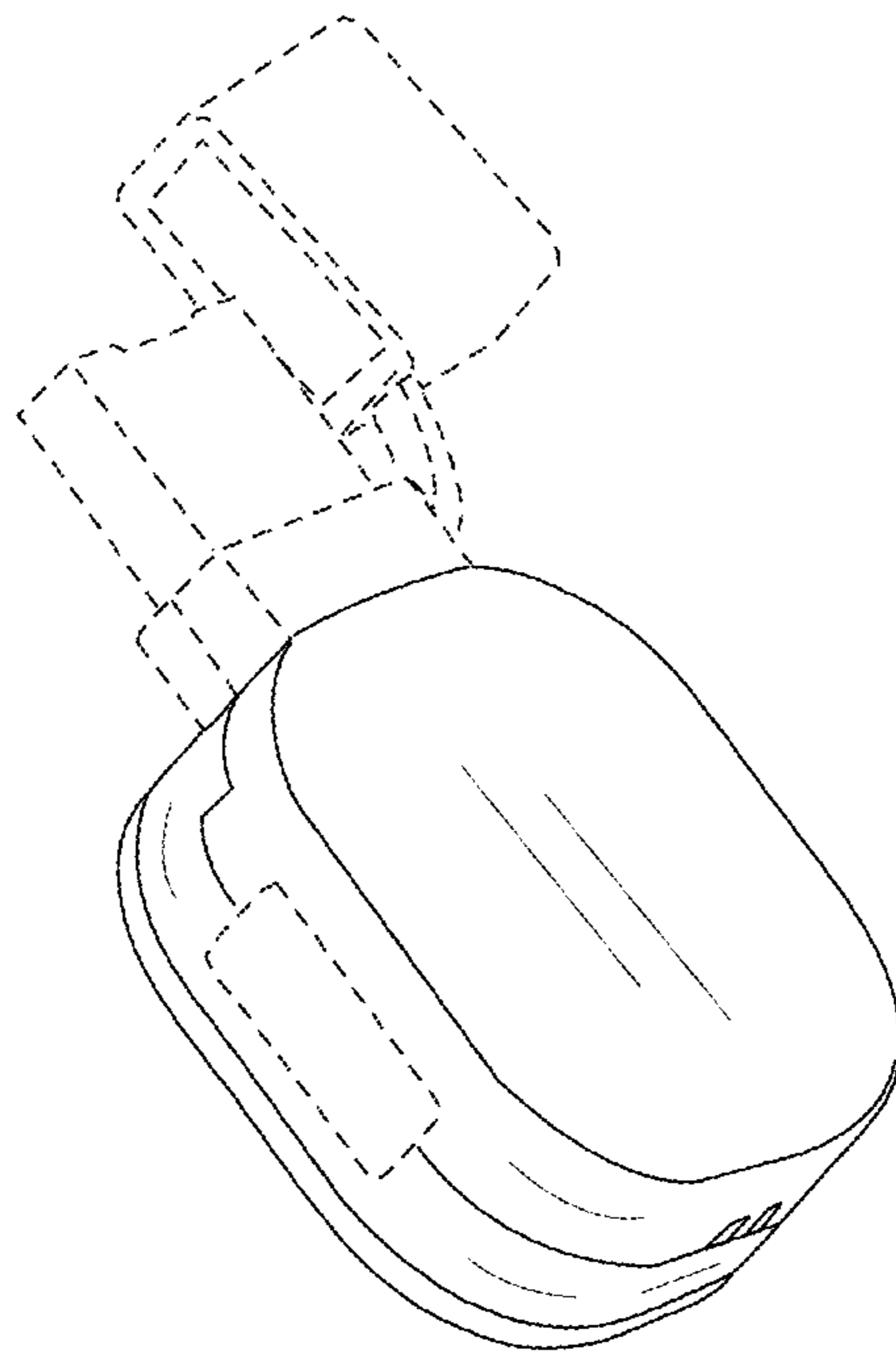


FIG. 2

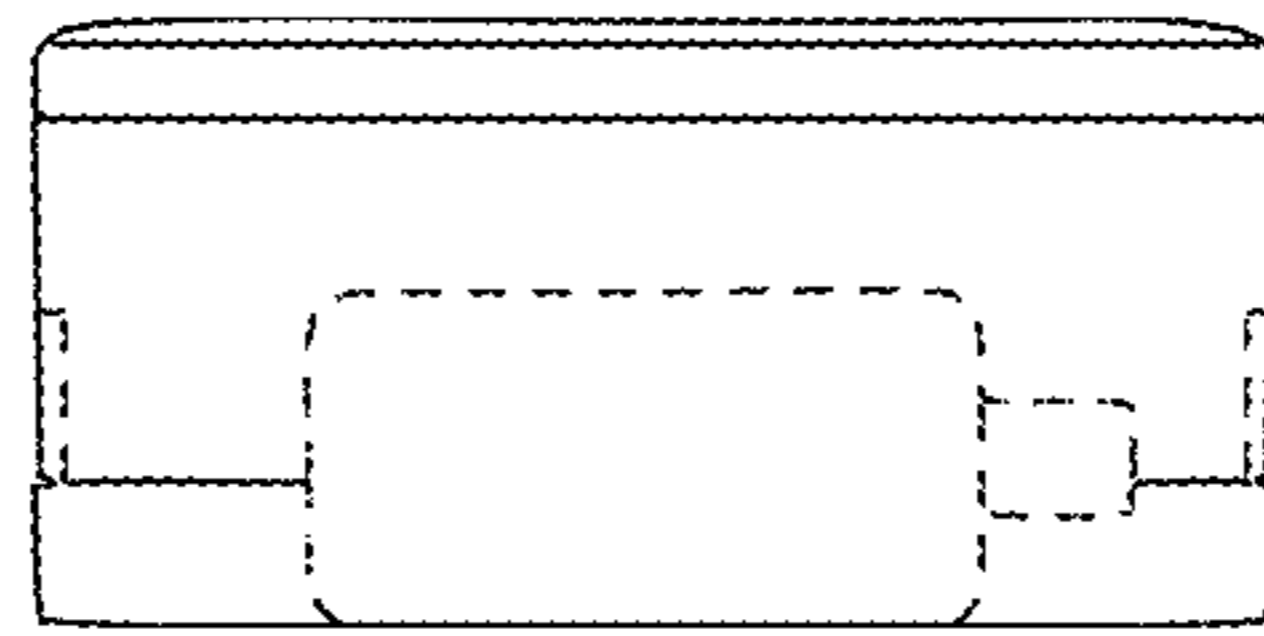


FIG. 3

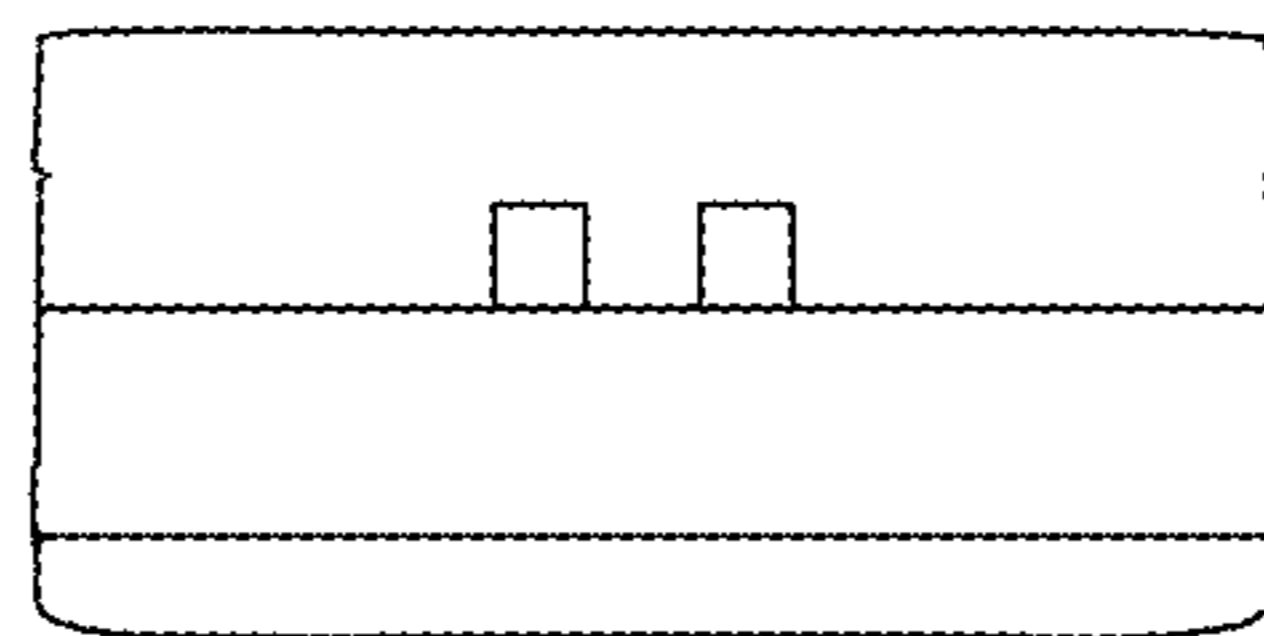


FIG. 4

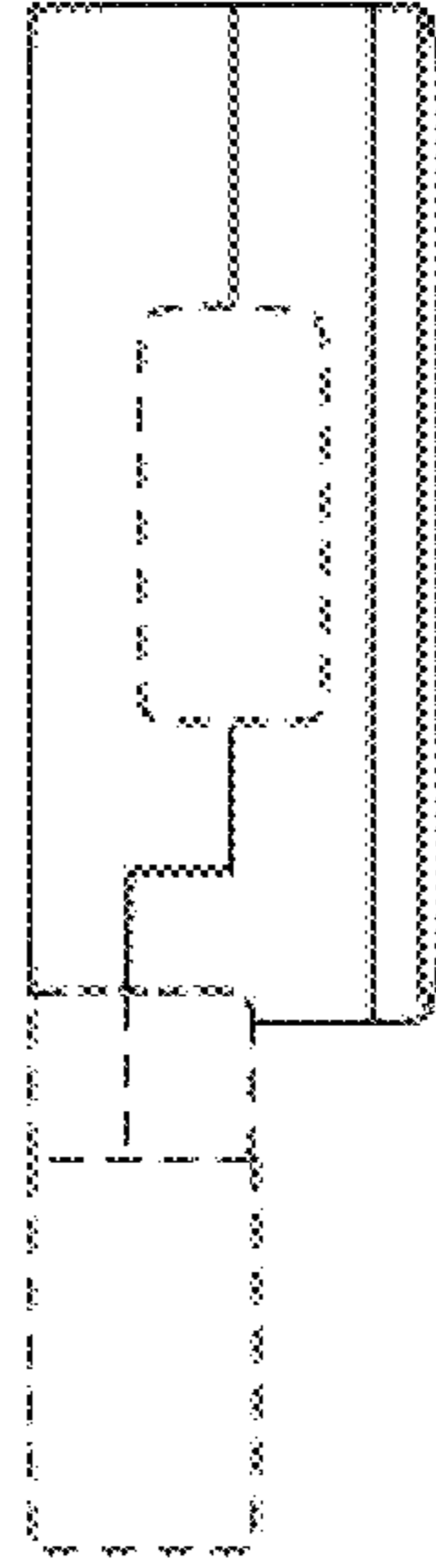


FIG. 5

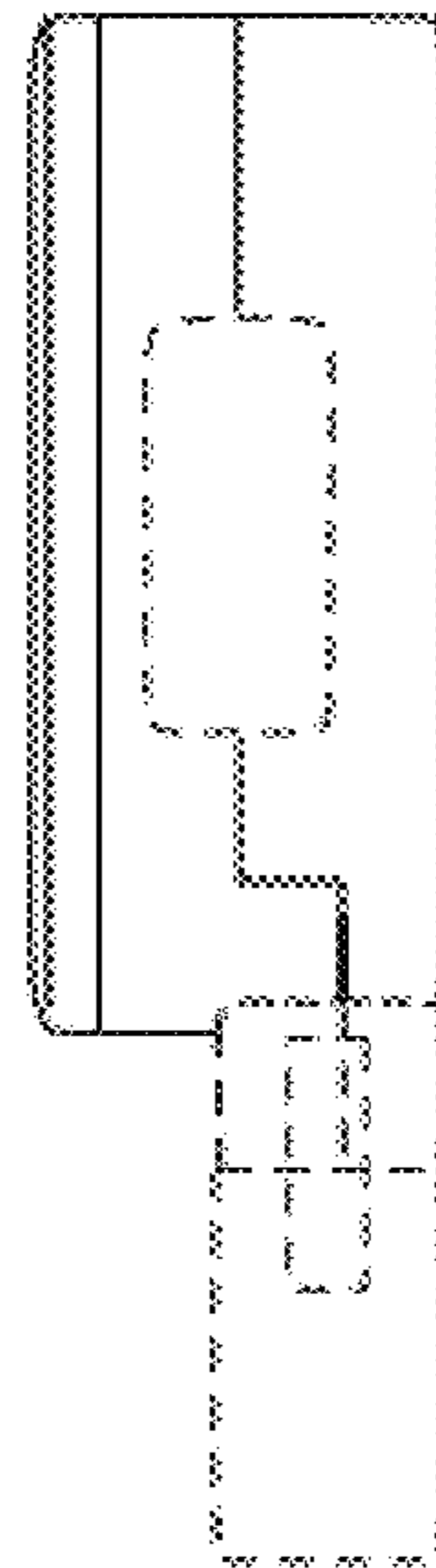


FIG. 6

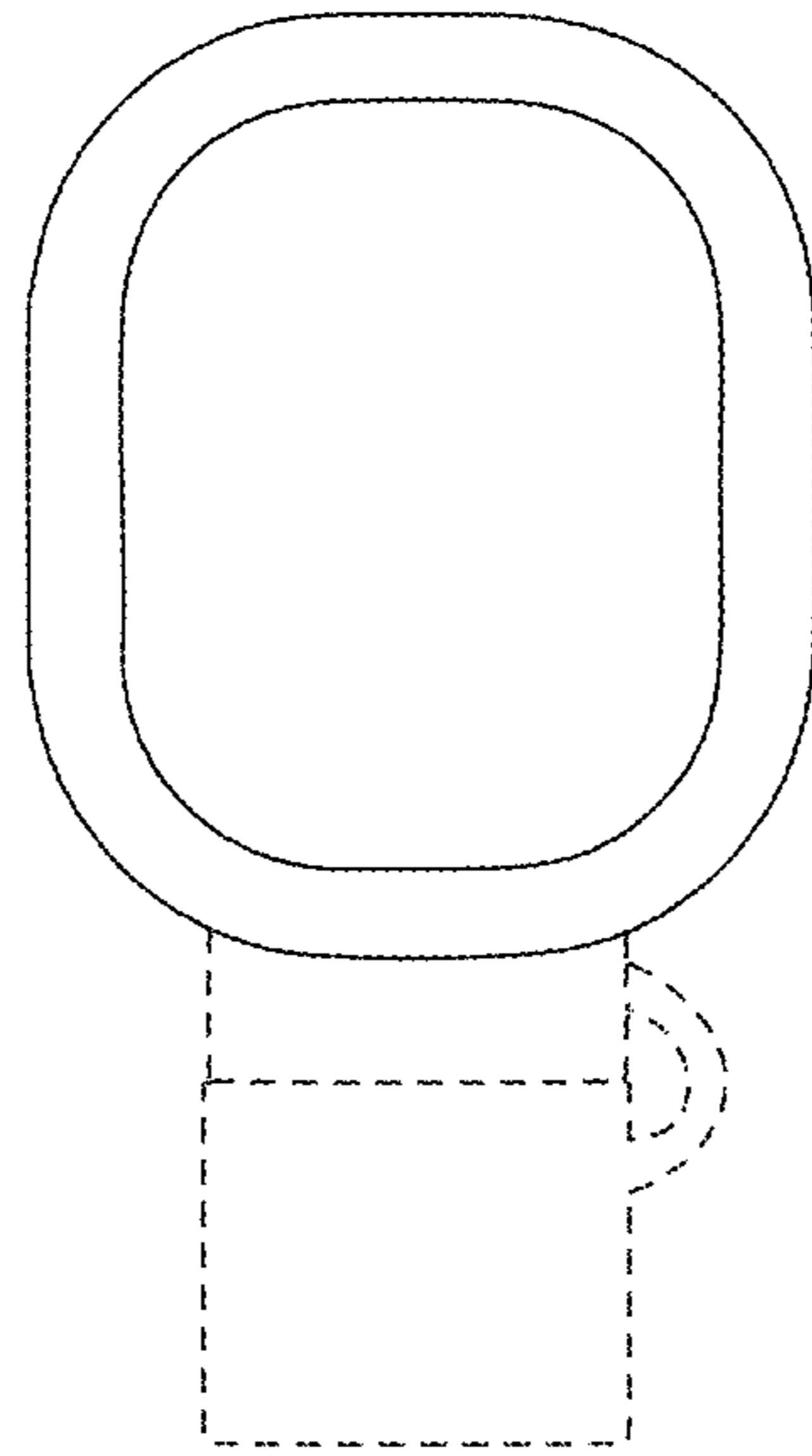


FIG. 7

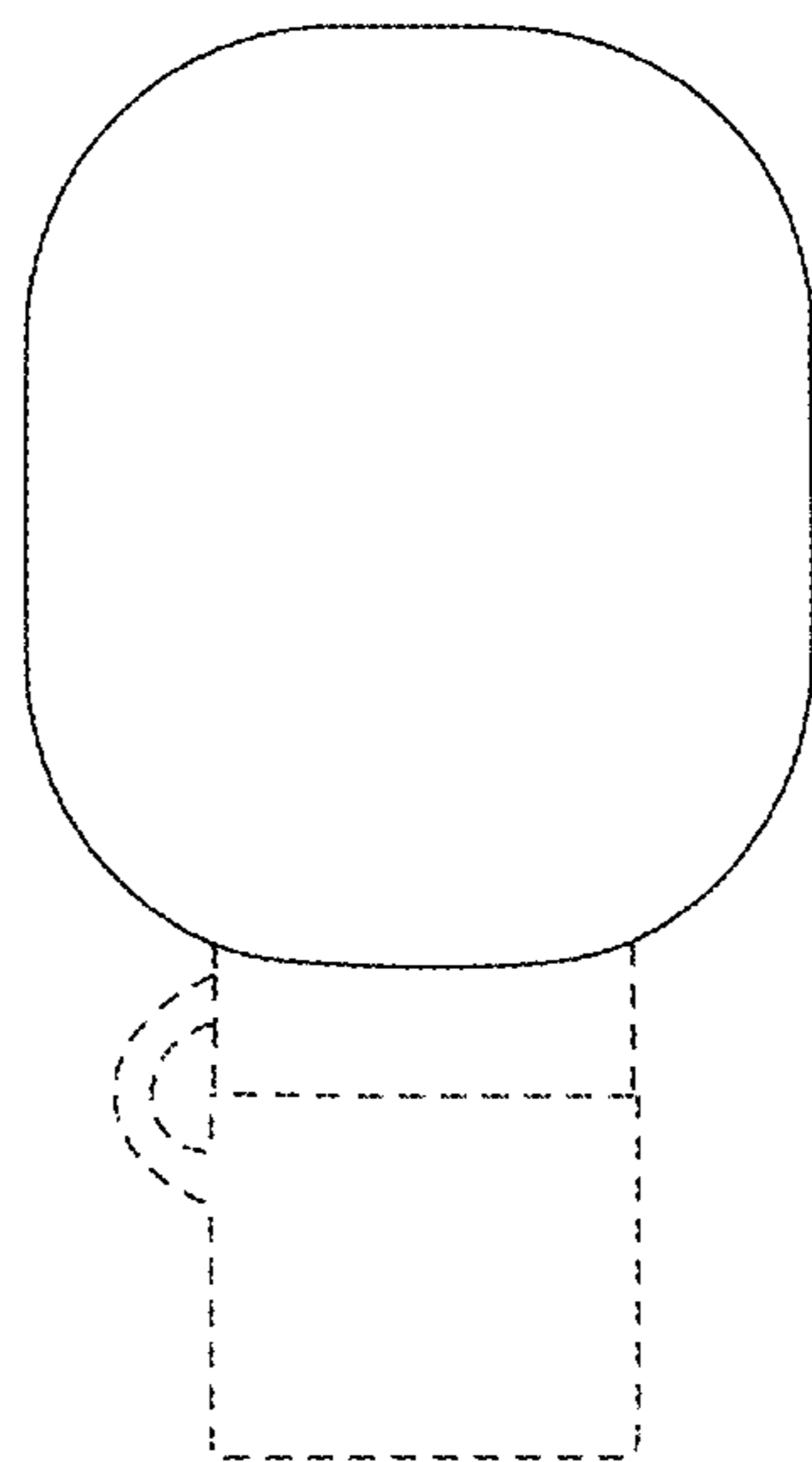


FIG. 8

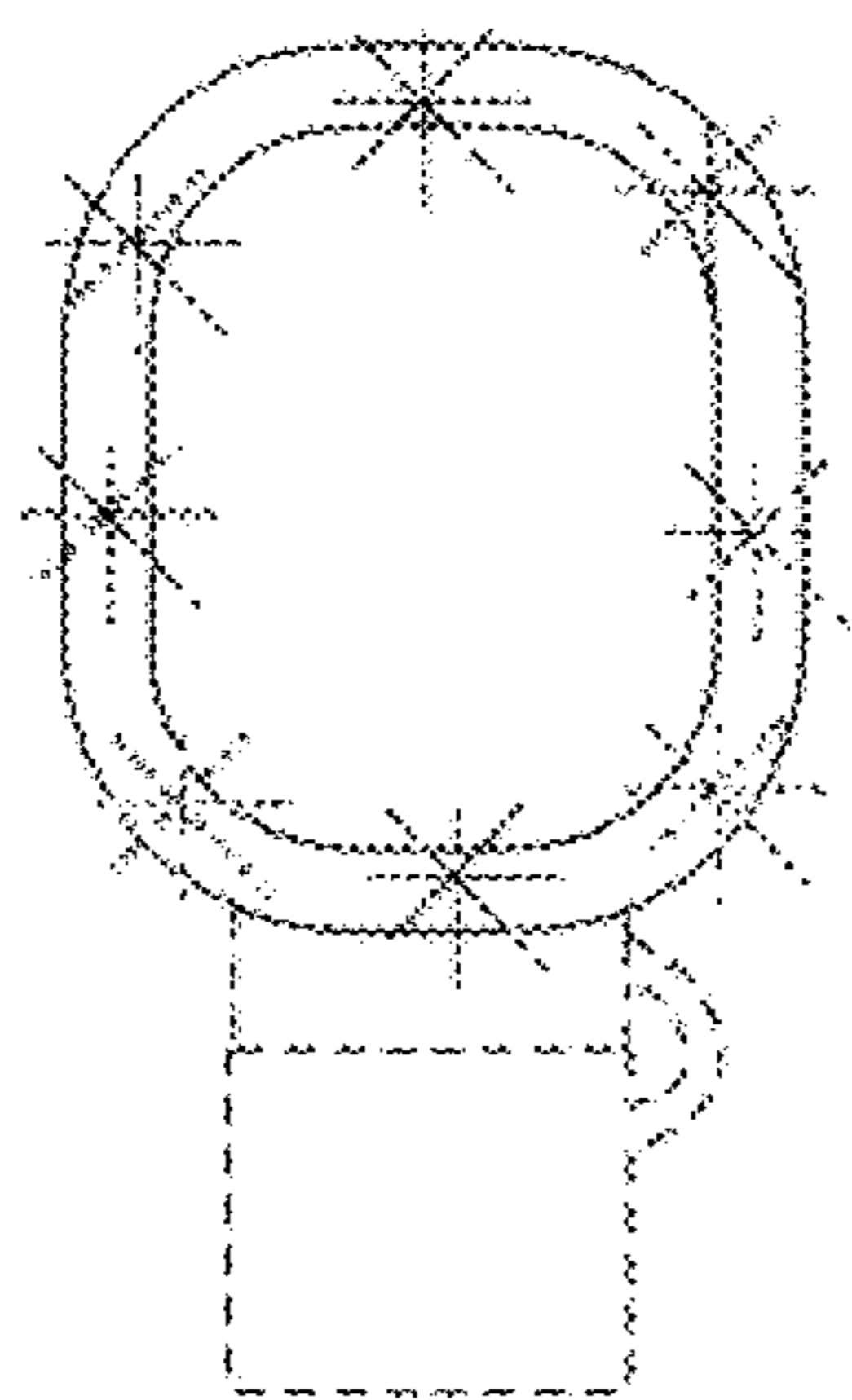


FIG. 9