



US00D784337S

(12) **United States Design Patent**
Fujiuchi et al.

(10) **Patent No.:** **US D784,337 S**
(45) **Date of Patent:** **** Apr. 18, 2017**

(54) **IMAGE SENSOR**

(71) Applicant: **MITSUBISHI ELECTRIC CORPORATION**, Tokyo (JP)

(72) Inventors: **Akiko Fujiuchi**, Tokyo (JP); **Atsushi Ito**, Tokyo (JP); **Kazuya Makabe**, Tokyo (JP); **Masaki Wakisaka**, Tokyo (JP)

(73) Assignee: **Mitsubishi Electric Corporation**, Tokyo (JP)

(**) Term: **15 Years**

(21) Appl. No.: **29/548,634**

(22) Filed: **Dec. 15, 2015**

(30) **Foreign Application Priority Data**

Jun. 18, 2015 (JP) 2015-013491

(51) **LOC (10) Cl.** **14-02**

(52) **U.S. Cl.**
USPC **D14/420; D14/421; D14/453**

(58) **Field of Classification Search**
USPC D14/421-425, 420; D18/55, 49, 46, 40, D18/36-39, 41, 44, 45, 47, 48, 50-54, D18/56; 235/462, 455, 470, 462.43, 482, 235/483, 462.21, 472.01, 435, 439, 440, 235/446, 454, 461, 462.32, 462.35, 235/462.41, 462.42, 463; 358/474, 486, 358/488, 496, 497, 498, 452, 449, 451, 358/453, 1.13; 318/685, 696; 355/81, 355/75; 399/405, 367, 379, 380; 382/217; 715/209, 222, 226, 274; 400/613, 613.1-613.4, 690.1-690.4, 400/691-694; D26/1-3, 24, 56, 72, D26/74-86, 88-91, 25; D13/180, 182; 362/150, 217.01-217.09, 217.1, 217.12, 362/217.13, 260, 364, 365, 366, 404, 555, 362/576, 800, 14, 148, 296.01

CPC .. D07G 1/0036; D07G 1/0045; D07G 1/0063; D07G 1/0072; D07G 1/009; G08B 13/1427; G08B 13/1472; G08B 13/1481; G08B 13/194; G08B 13/246; G08B (Continued)

(56) **References Cited**

U.S. PATENT DOCUMENTS

D147,467 S * 9/1947 Meyer D26/76
D153,837 S * 5/1949 Walsh D26/76
(Continued)

Primary Examiner — Susan Moon Lee

(74) *Attorney, Agent, or Firm* — Studebaker & Brackett PC

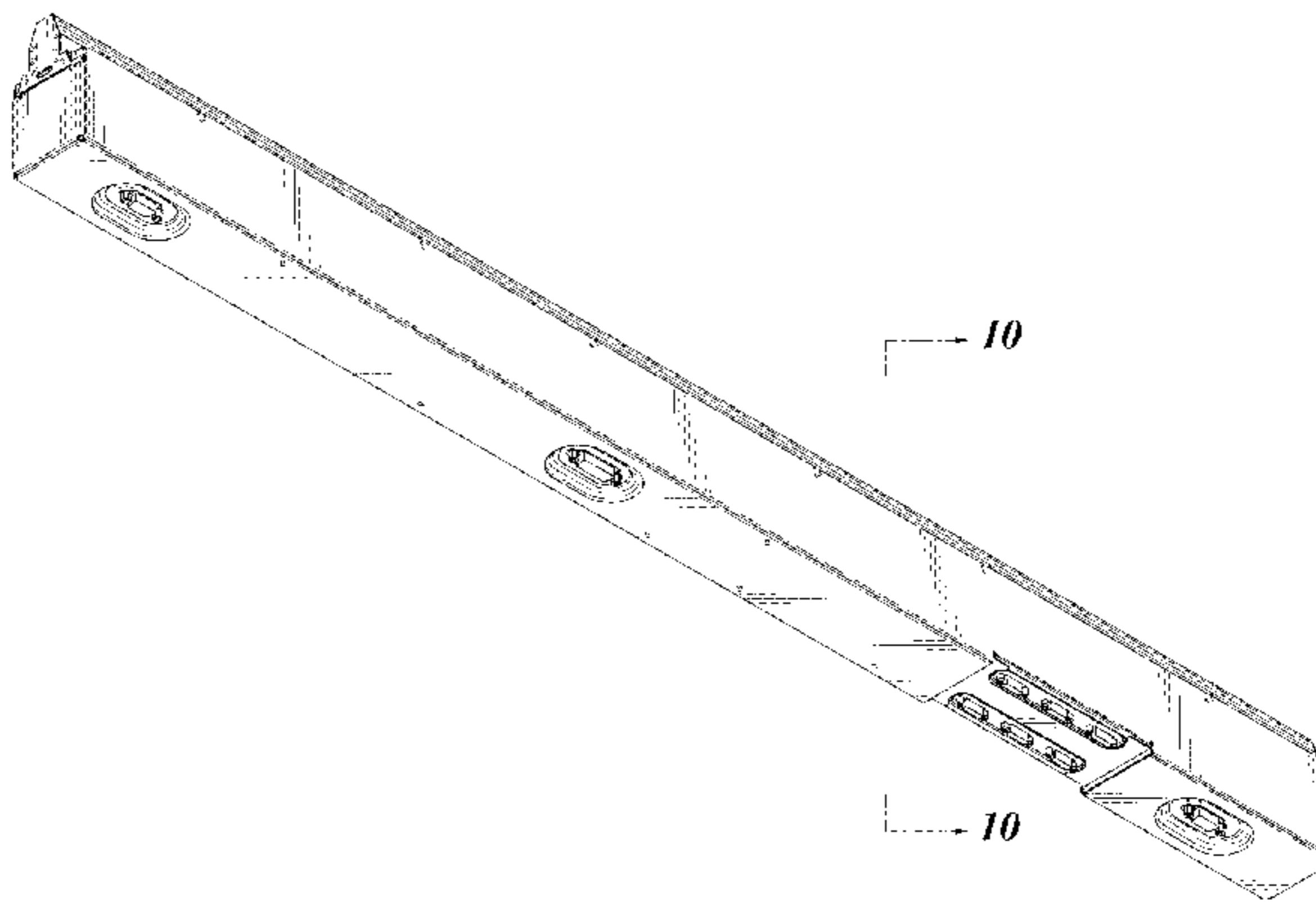
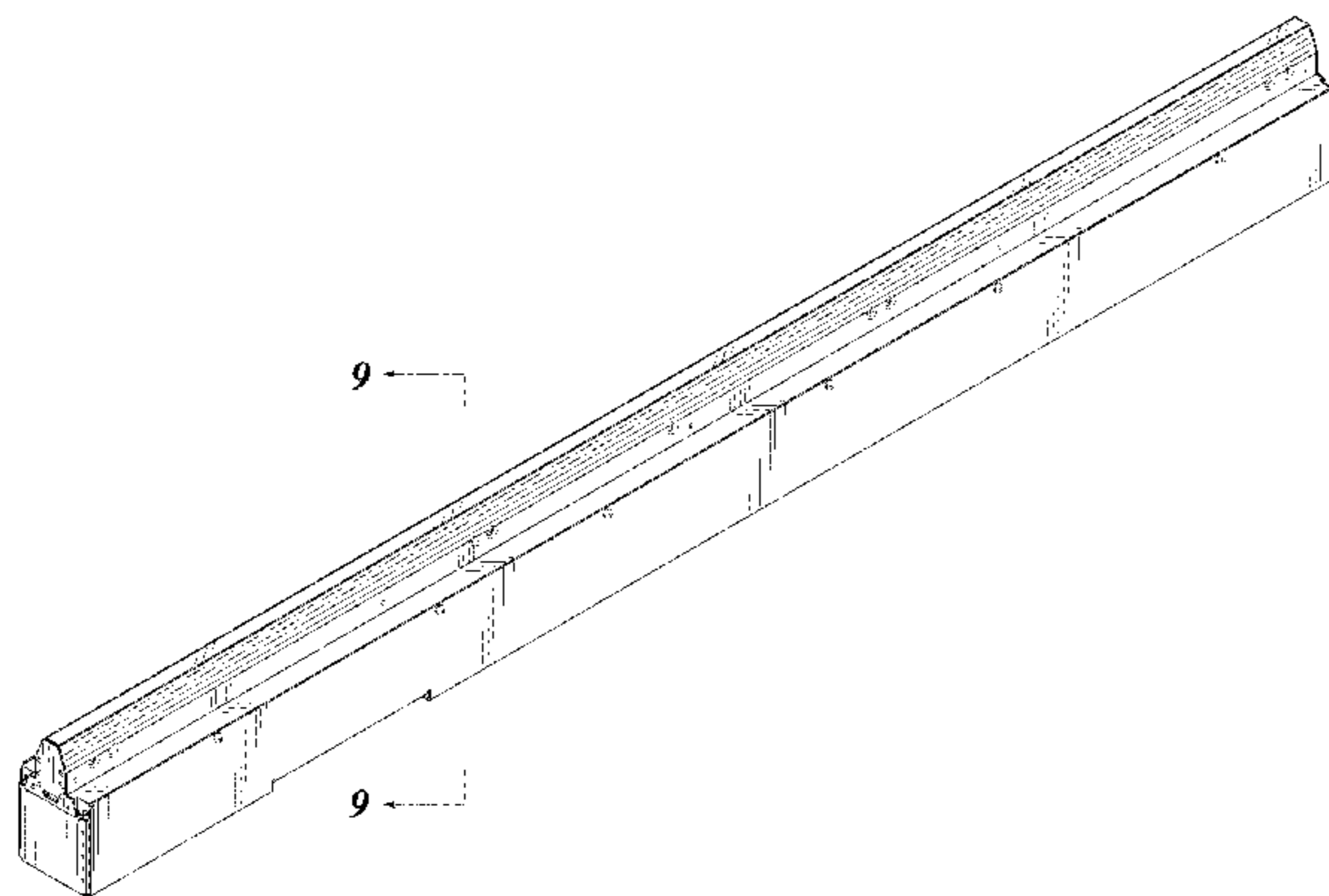
(57) **CLAIM**

The ornamental design for an image sensor, as shown and described.

DESCRIPTION

FIG. 1 is a front perspective view of the front, left, and top sides of an image sensor showing our new design;
FIG. 2 is a rear perspective view of the rear, right, and bottom sides thereof;
FIG. 3 is a front view thereof;
FIG. 4 is a rear view thereof;
FIG. 5 is a left side view thereof;
FIG. 6 is a right side view thereof;
FIG. 7 is a top plan view thereof;
FIG. 8 is a bottom view thereof;
FIG. 9 is an enlarged view at a part 9-9 of FIG. 1;
FIG. 10 is an enlarged view at a part 10-10 of FIG. 2;
FIG. 11 is an enlarged view at a part 11-11 of FIG. 3;
FIG. 12 is an enlarged view at a part 12-12 of FIG. 8; and
FIG. 13 is an enlarged left side view thereof.
Broken lines and unshaded portions contained within broken lines depict exemplary elements of the image sensor that are shown for illustrative purposes only and that form no part of the claimed design.

1 Claim, 13 Drawing Sheets



(58) **Field of Classification Search**

CPC 13/2462; G08B 13/2465; A47F 9/04; A47F 9/046; A47F 9/047; A47F 9/048; A47F 10/02; A47F 2010/005; A47F 2010/025; G06K 7/10693; G06K 7/10712; G06K 7/10722; G06K 7/10792; G06K 7/10801; G06K 7/10811; G06K 7/1096; G06K 7/1097; G06K 7/1098; G06K 7/12; G06K 7/14; G06K 7/146; G06K 2007/10485; G06K 7/10544-7/10762; G06K 7/10821-7/10871; G06K 7/1404-7/1495; G06K 2207/00; G06K 2207/1011-2207/1018; G01G 19/4144; G01G 21/22; G01G 21/28; G01G 23/32; G01G 23/34; G01G 23/35; G01G 23/375; G01G 23/38; G01G 23/44; G07G 1/0063; G07G 1/0072; G07G 3/006; G02B 5/09; G02B 6/00; G06T 2211/00; H04N 1/0313-1/032; H04N 1/02815-1/02895; H04N 1/0249; H04N 1/02481; H04N 1/00; H04N 1/12; H04N 1/00013; H04N 1/00015; H04N 1/00018; H04N 1/00026; H04N 1/00557; H04N 1/00564; H04N 1/00567; H04N 1/0057; H04N 1/00572; H04N 1/00586; H04N 1/00588; H04N 1/00591; H04N 1/00594; H04N 1/00596; H04N 1/00604; H04N 1/00519; H04N 1/00559; H04N 1/00551; H04N 1/00278; H04N 1/1013; H04N 1/10; H04N 5/2251-5/2256; H04N 2201/02456; H04N 2201/02458; H04N 2201/02462; H04N 2201/03468; H04N 2201/02485; H04N 2201/0249; H04N 2201/02481; H04N 2201/0456; H04N 2201/0446; H04N 2201/00; H04N 2201/0094; H01L 27/14618-27/14643; H01L 27/14649; H01L 27/14652; H01L 27/14658-27/1467; H01L 31/0232-31/02327; H01L 31/1055; H01L 31/14; G03G 15/0142; G03G 15/605; G03G 15/602; F21S 2/00; F21S 4/00; F21S 4/003; F21S 4/005; F21S 4/006; F21S 4/007; F21S 4/008; F21S 6/00; F21S 8/00; F21S 8/024; F21S 8/026; F21S 8/031; F21S 8/033; F21S 8/035-8/037; F21S 8/04; F21S 8/043; F21S 8/063

See application file for complete search history.

(56) **References Cited**

U.S. PATENT DOCUMENTS

D154,058 S * 6/1949 Nitardy D26/76
 D163,832 S * 7/1951 Smith et al. D26/76
 D188,621 S * 8/1960 Stahlhut et al. D26/76
 D192,745 S * 5/1962 Guth, Jr. D26/76
 4,581,657 A * 4/1986 Takano H04N 1/03
 250/239
 4,634,884 A * 1/1987 Hayashimoto H04N 5/2259
 250/208.1
 D300,471 S * 3/1989 Szymanek D26/76
 5,142,137 A * 8/1992 Kushino H04N 1/0286
 250/208.1
 5,254,847 A * 10/1993 Hata H04N 1/0312
 250/208.1
 5,317,146 A * 5/1994 Isobe H04N 1/0312
 250/208.1

5,434,681 A * 7/1995 Imamura H04N 1/031
 250/208.1
 5,434,682 A * 7/1995 Imamura H04N 1/0312
 250/208.1
 5,489,992 A * 2/1996 Endo H04N 1/031
 250/208.1
 5,945,664 A * 8/1999 Ogura H04N 1/031
 250/208.1
 5,949,062 A * 9/1999 Matsumoto H04N 1/0312
 250/208.1
 6,014,231 A * 1/2000 Sawase H04N 1/02865
 250/208.1
 6,147,339 A * 11/2000 Matsumoto H01L 31/0232
 250/208.1
 6,166,832 A * 12/2000 Fujimoto H04N 1/0312
 358/474
 6,239,421 B1 * 5/2001 Nagata H04N 1/02835
 250/208.1
 6,295,141 B1 * 9/2001 Ogura H04N 1/02835
 358/475
 D451,228 S * 11/2001 Poon D26/76
 6,320,681 B1 * 11/2001 Yushiya H04N 1/0312
 358/475
 6,326,602 B1 * 12/2001 Tabata G02B 6/0001
 250/208.1
 6,360,030 B1 * 3/2002 Kawai H04N 1/031
 358/484
 6,496,285 B1 * 12/2002 Fujimoto H04N 1/02815
 358/475
 6,501,087 B1 * 12/2002 Koretsune G07D 7/121
 250/208.1
 6,558,024 B2 * 5/2003 Hoki H04N 1/02865
 250/208.1
 D491,687 S * 6/2004 Thornton, Jr. D26/76
 6,744,033 B2 * 6/2004 Ikeda H04N 1/02815
 250/208.1
 D495,085 S * 8/2004 Thornton, Jr. D26/76
 6,917,453 B1 * 7/2005 Onishi H04N 1/031
 250/208.1
 6,952,273 B1 * 10/2005 Fujimoto H04N 1/024
 358/1.1
 6,952,289 B1 * 10/2005 Fujimoto H04N 1/024
 250/208.1
 D519,237 S * 4/2006 Kopp D26/76
 7,033,046 B2 * 4/2006 Ando H04N 1/0285
 358/475
 D521,675 S * 5/2006 Chen D26/76
 7,095,003 B2 * 8/2006 Matsumoto H04N 1/0312
 250/208.1
 D544,983 S * 6/2007 Hargreaves D26/76
 D547,897 S * 7/2007 Willmorth D26/75
 7,385,169 B2 * 6/2008 Saitou H04N 1/0318
 250/208.1
 7,484,873 B2 * 2/2009 Dejima G02B 6/002
 362/606
 7,555,194 B2 * 6/2009 Ikeda H04N 1/02815
 359/475
 D604,002 S * 11/2009 Santoro D26/76
 7,738,146 B2 * 6/2010 Osakabe H04N 1/0313
 358/474
 7,760,403 B2 * 7/2010 Sakurai G02B 6/0046
 358/475
 D626,267 S * 10/2010 Ng D26/76
 7,859,726 B2 * 12/2010 Endo G07D 7/121
 358/474
 7,924,478 B2 * 4/2011 Kim G02B 6/0038
 358/474
 7,978,379 B2 * 7/2011 Fujiuchi H04N 1/02815
 358/475
 D642,725 S * 8/2011 Kong D26/76
 D695,942 S * 12/2013 Ng D26/75
 8,599,448 B2 * 12/2013 Qi G07D 7/122
 358/474
 D701,990 S * 4/2014 Rodgers D26/76
 8,786,913 B2 * 7/2014 Sasaki H04N 1/02855
 358/474

(56)

References Cited

U.S. PATENT DOCUMENTS

D732,226 S * 6/2015 Hartman D26/76
 D735,392 S * 7/2015 Ng D26/76
 9,097,830 B2 * 8/2015 Suto H04N 1/02845
 9,160,879 B2 * 10/2015 Suto H04N 1/02815
 2001/0035986 A1 * 11/2001 Ikeda H04N 1/031
 358/475
 2002/0015193 A1 * 2/2002 Tabata H04N 1/031
 358/475
 2002/0030858 A1 * 3/2002 Nagata H04N 1/031
 358/474
 2002/0054387 A1 * 5/2002 Yokota H04N 1/02835
 358/509
 2003/0117660 A1 * 6/2003 Matsumoto H04N 1/0318
 358/400
 2005/0006562 A1 * 1/2005 Sugihara H01L 27/14678
 250/208.1
 2005/0088707 A1 * 4/2005 Sakurai H04N 1/02815
 358/475
 2005/0150956 A1 * 7/2005 Ikeda H04N 1/02815
 235/454
 2005/0206800 A1 * 9/2005 Wakisaka H04N 1/02815
 349/58
 2005/0230853 A1 * 10/2005 Yoshikawa H01L 24/32
 257/81
 2006/0033807 A1 * 2/2006 Terumoto B41J 2/45
 347/256
 2006/0081763 A1 * 4/2006 Sawada H04N 1/028
 250/208.1
 2007/0297020 A1 * 12/2007 Shen H04N 1/02865
 358/474
 2008/0099770 A1 * 5/2008 Mendendorp H01L 33/64
 257/79
 2008/0121783 A1 * 5/2008 Amano H04N 1/0083
 250/208.1
 2008/0179493 A1 * 7/2008 Nagao H04N 1/00909
 250/208.1
 2008/0192306 A1 * 8/2008 Lee H04N 1/02835
 358/483
 2009/0003000 A1 * 1/2009 Saito G02B 6/003
 362/311.06
 2009/0034024 A1 * 2/2009 Kim H04N 1/02815
 358/475
 2009/0135453 A1 * 5/2009 Wakisaka H04N 1/0318
 358/474
 2009/0294630 A1 * 12/2009 Saito H04N 1/0318
 250/208.1
 2009/0310190 A1 * 12/2009 Ikeda H04N 1/02815
 358/474
 2010/0046045 A1 * 2/2010 Nagao H04N 1/00846
 358/474
 2010/0091340 A1 * 4/2010 King H04N 1/0318
 358/474
 2010/0195166 A1 * 8/2010 Sawada H01L 27/14629
 358/475
 2010/0238520 A1 * 9/2010 Nagata G02B 3/0062
 358/475
 2012/0162727 A1 * 6/2012 Shimoda H04N 1/02481
 358/475

2012/0194878 A1 * 8/2012 Nakamura H04N 1/0318
 358/471
 2012/0206750 A1 * 8/2012 Murray H04N 1/00525
 358/1.13
 2012/0318961 A1 * 12/2012 Sawada H04N 1/0318
 250/208.1
 2013/0038913 A1 * 2/2013 Shimoda G07D 7/121
 358/474
 2013/0038914 A1 * 2/2013 Yoshida H04N 1/0285
 358/474
 2013/0181311 A1 * 7/2013 Sugiyama H04N 1/193
 257/432
 2013/0222918 A1 * 8/2013 Nemoto G03G 15/04054
 359/622
 2013/0250373 A1 * 9/2013 Takeuchi H04N 1/0285
 358/474
 2013/0265617 A1 * 10/2013 Murakami G02B 6/0001
 358/448
 2013/0265618 A1 * 10/2013 Kobayashi H04N 1/00557
 358/475
 2013/0314756 A1 * 11/2013 Amemiya F21V 13/04
 358/497
 2014/0014819 A1 * 1/2014 Yoshida G02B 6/0096
 250/208.1
 2014/0111835 A1 * 4/2014 Ozawa H04N 1/028
 358/475
 2014/0168724 A1 * 6/2014 Kobayashi H04N 1/02835
 358/475
 2014/0169656 A1 * 6/2014 Shimoda G02B 6/0001
 382/135
 2014/0198355 A1 * 7/2014 Miwa H04N 1/0318
 358/482
 2014/0320937 A1 * 10/2014 Horiguchi H04N 1/02835
 358/475
 2014/0346578 A1 * 11/2014 Hirota H01L 27/14614
 257/292
 2014/0376065 A1 * 12/2014 Okamoto H04N 1/00989
 358/475
 2015/0015924 A1 * 1/2015 Fujiuchi H04N 1/02835
 358/474
 2015/0070735 A1 * 3/2015 Lu H04N 1/02855
 358/482
 2015/0136951 A1 * 5/2015 Ohama H04N 1/02815
 250/208.1
 2015/0156372 A1 * 6/2015 Aramaki H04N 1/02835
 358/447
 2015/0271354 A1 * 9/2015 Imoto G02B 27/0966
 362/308
 2015/0316706 A1 * 11/2015 Fujiuchi H04N 1/02835
 358/482
 2015/0381848 A1 * 12/2015 Matsui H04N 1/02835
 358/482
 2016/0006898 A1 * 1/2016 Tsumekawa H04N 1/02835
 358/484
 2016/0037011 A1 * 2/2016 Fujiuchi H04N 1/0315
 358/471
 2016/0133661 A1 * 5/2016 Fujiuchi H04N 1/0318
 257/432
 2016/0261763 A1 * 9/2016 Fujiuchi H04N 1/0315

* cited by examiner

FIG. 1

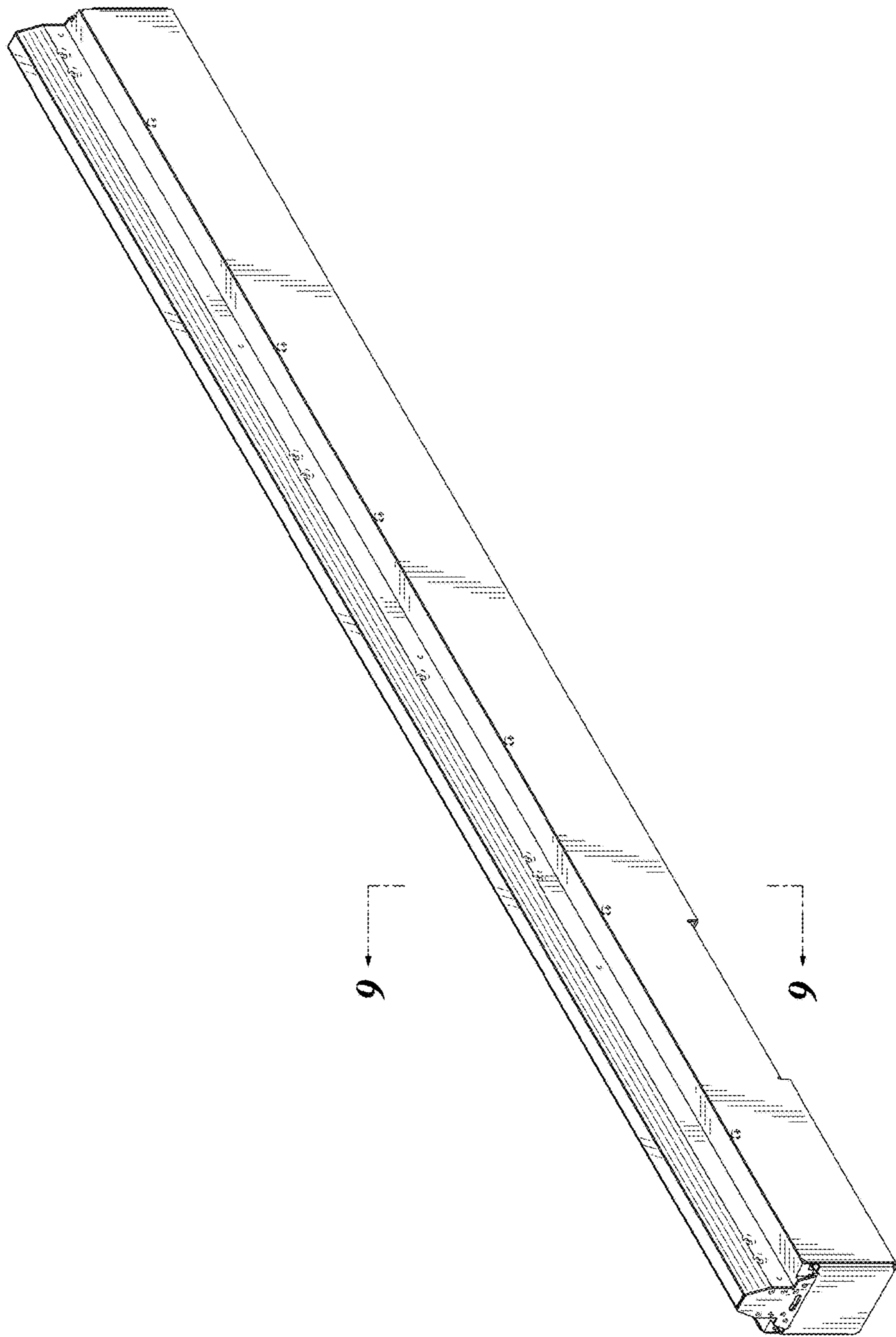


FIG. 2

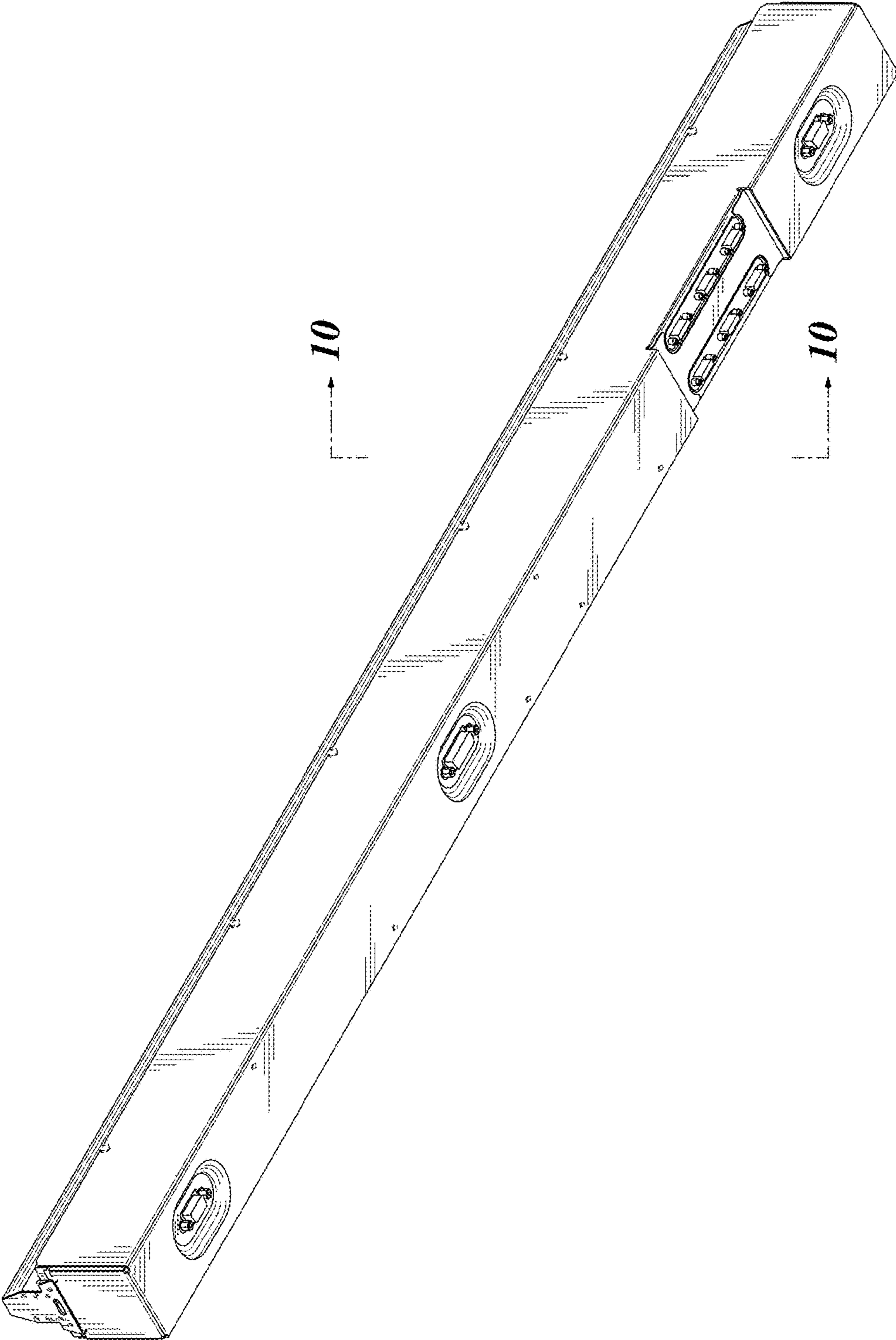


FIG. 3

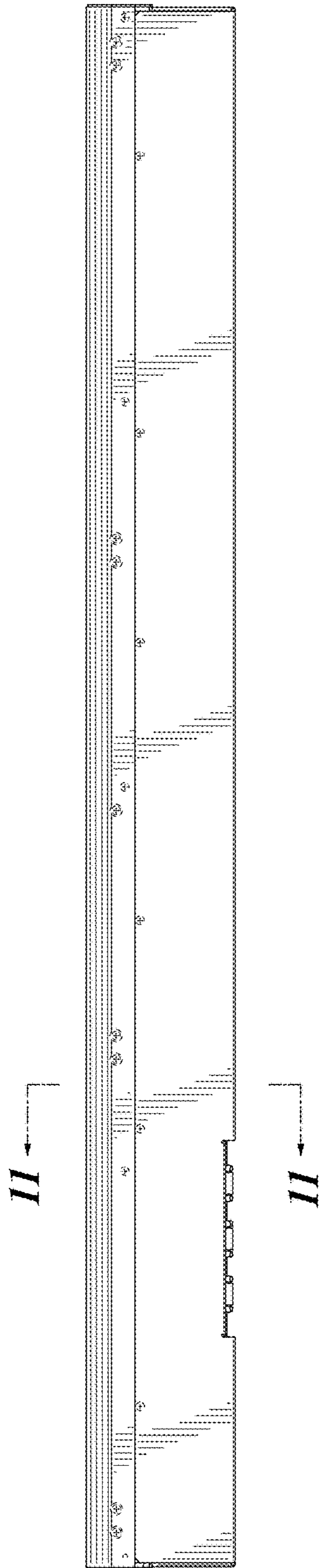


FIG. 4

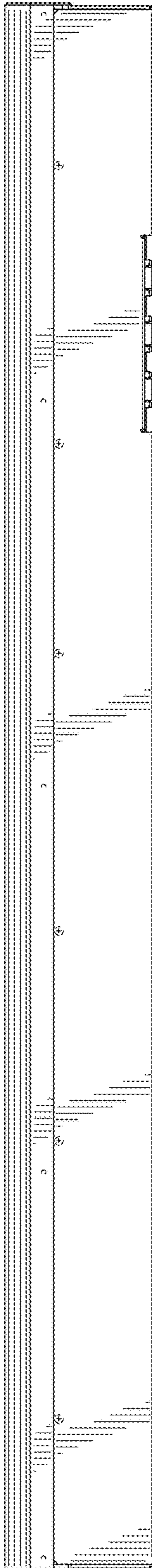


FIG. 5

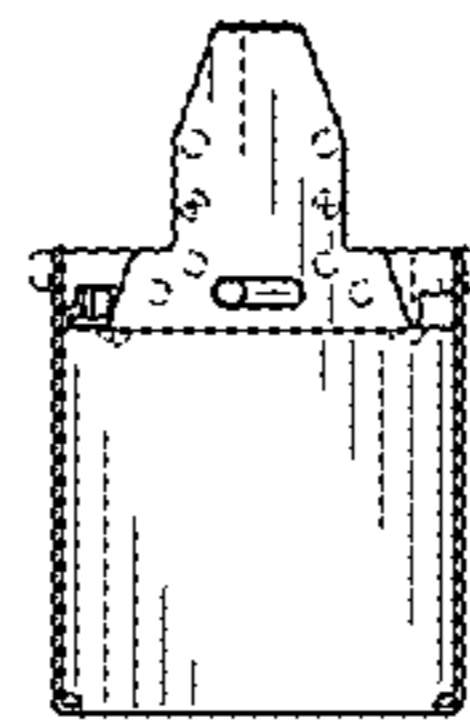


FIG. 6

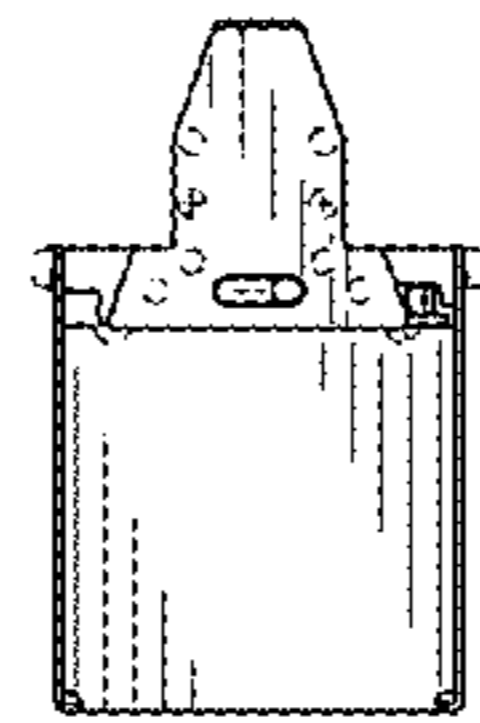


FIG. 7

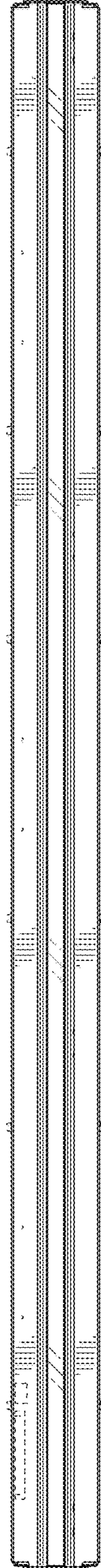


FIG. 8

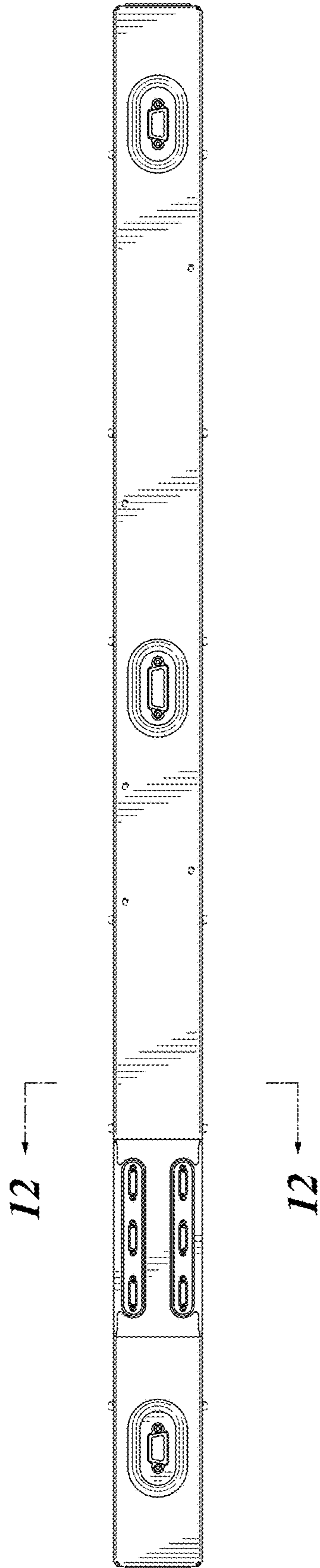


FIG. 9

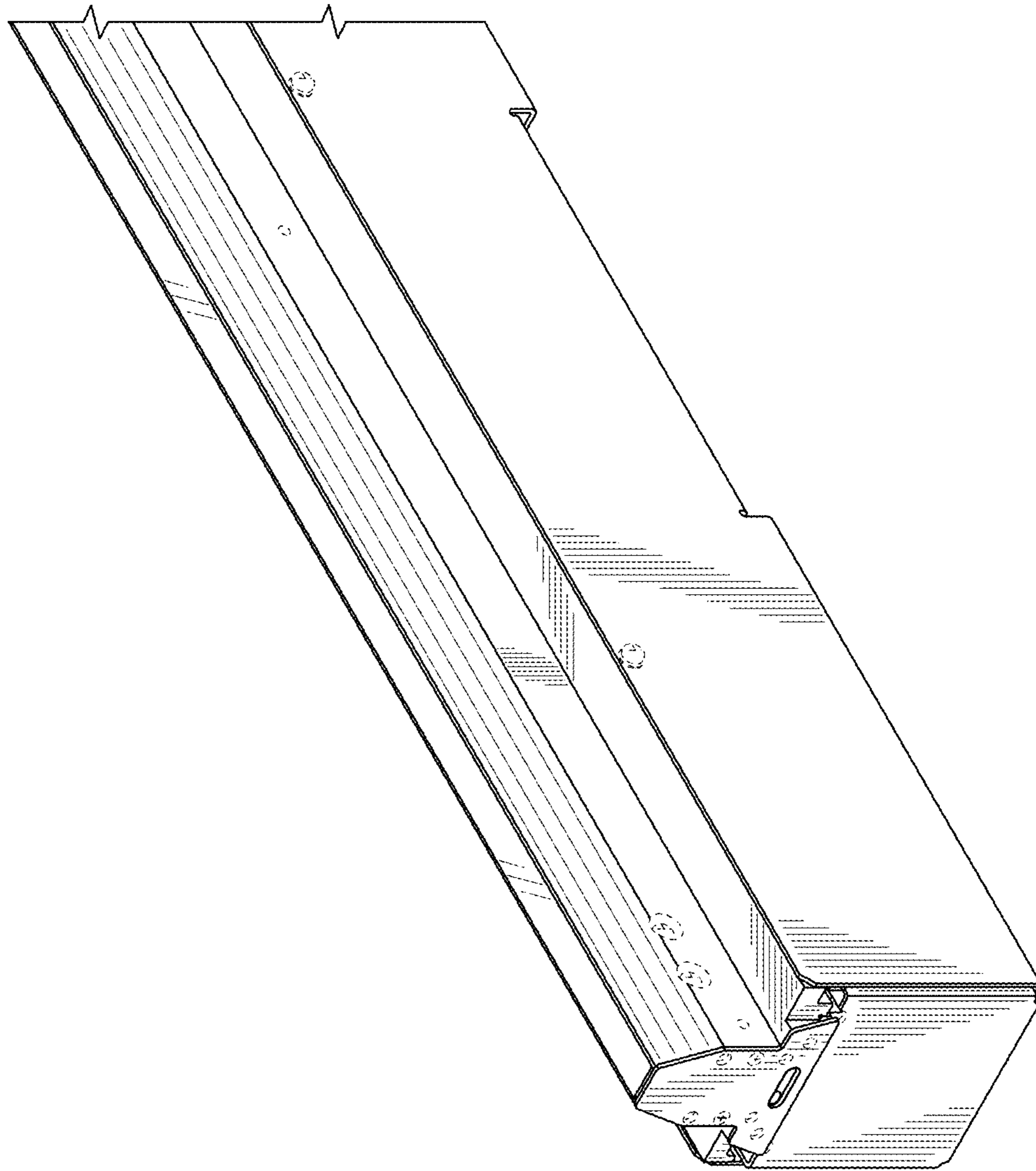


FIG. 10

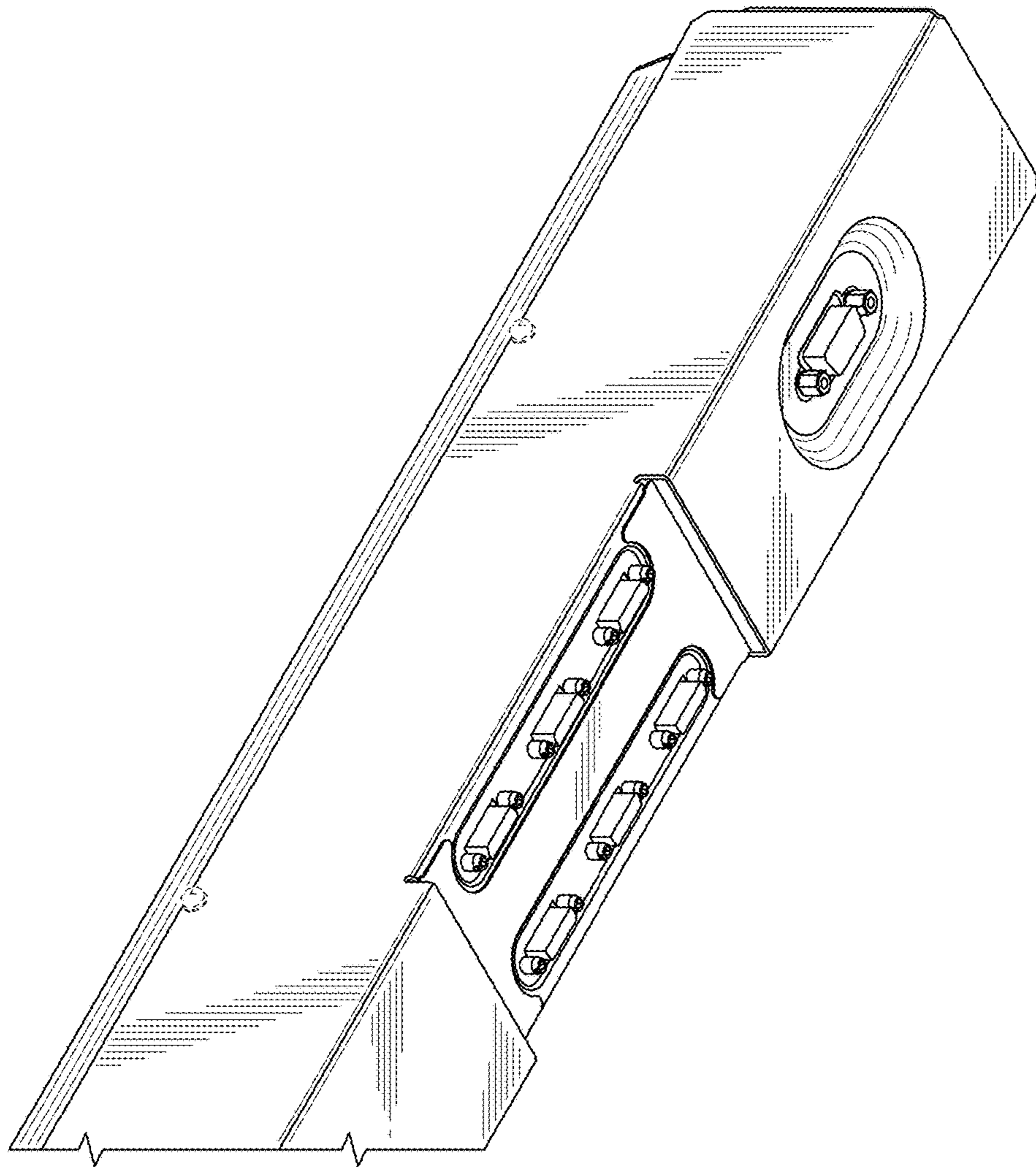


FIG. 11

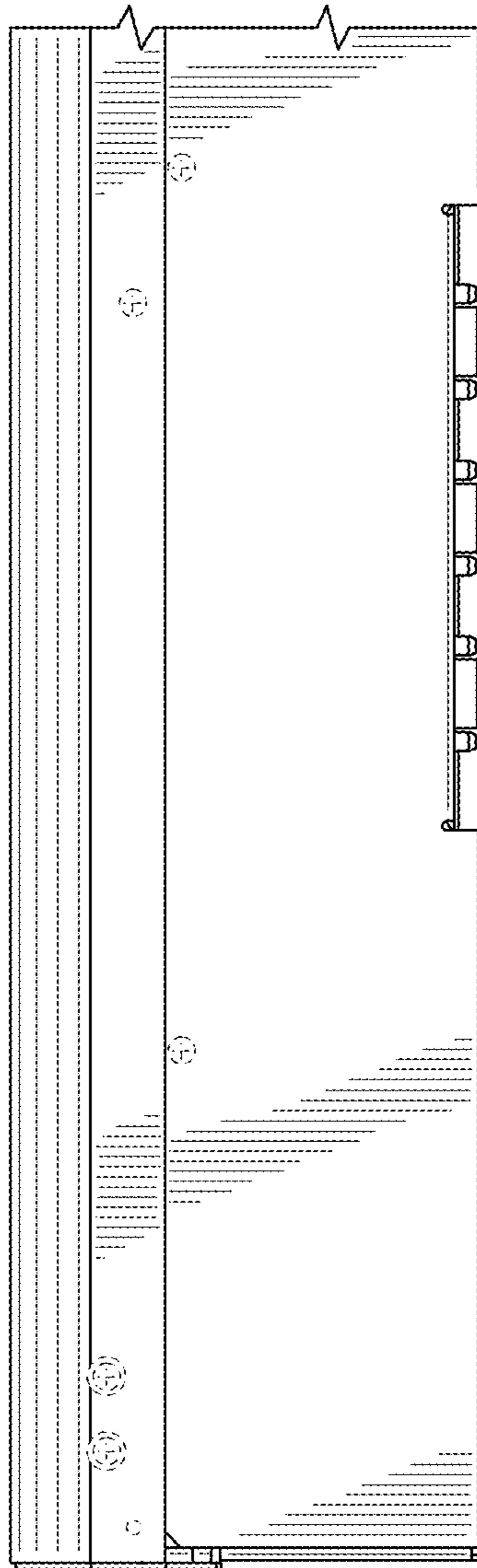


FIG. 12

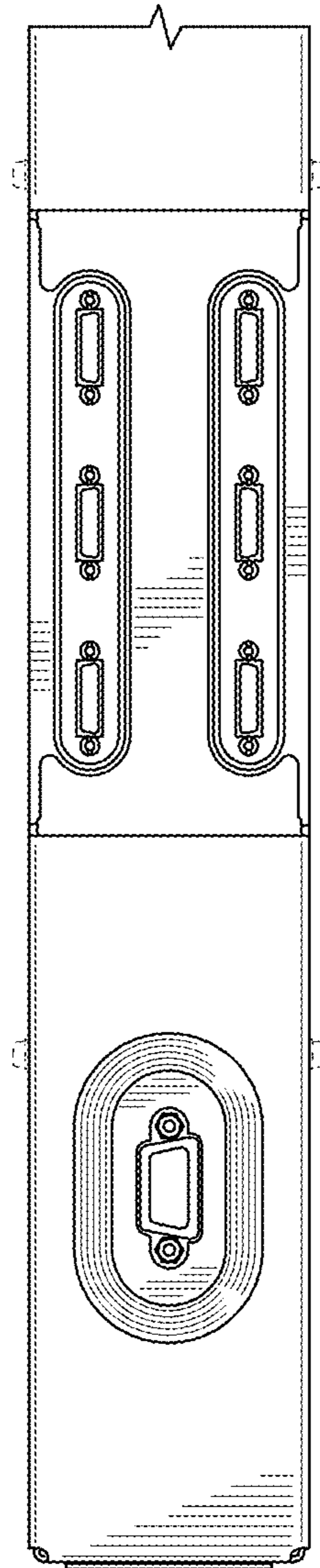


FIG. 13

