



US00D784335S

(12) **United States Design Patent**
Kujawski et al.

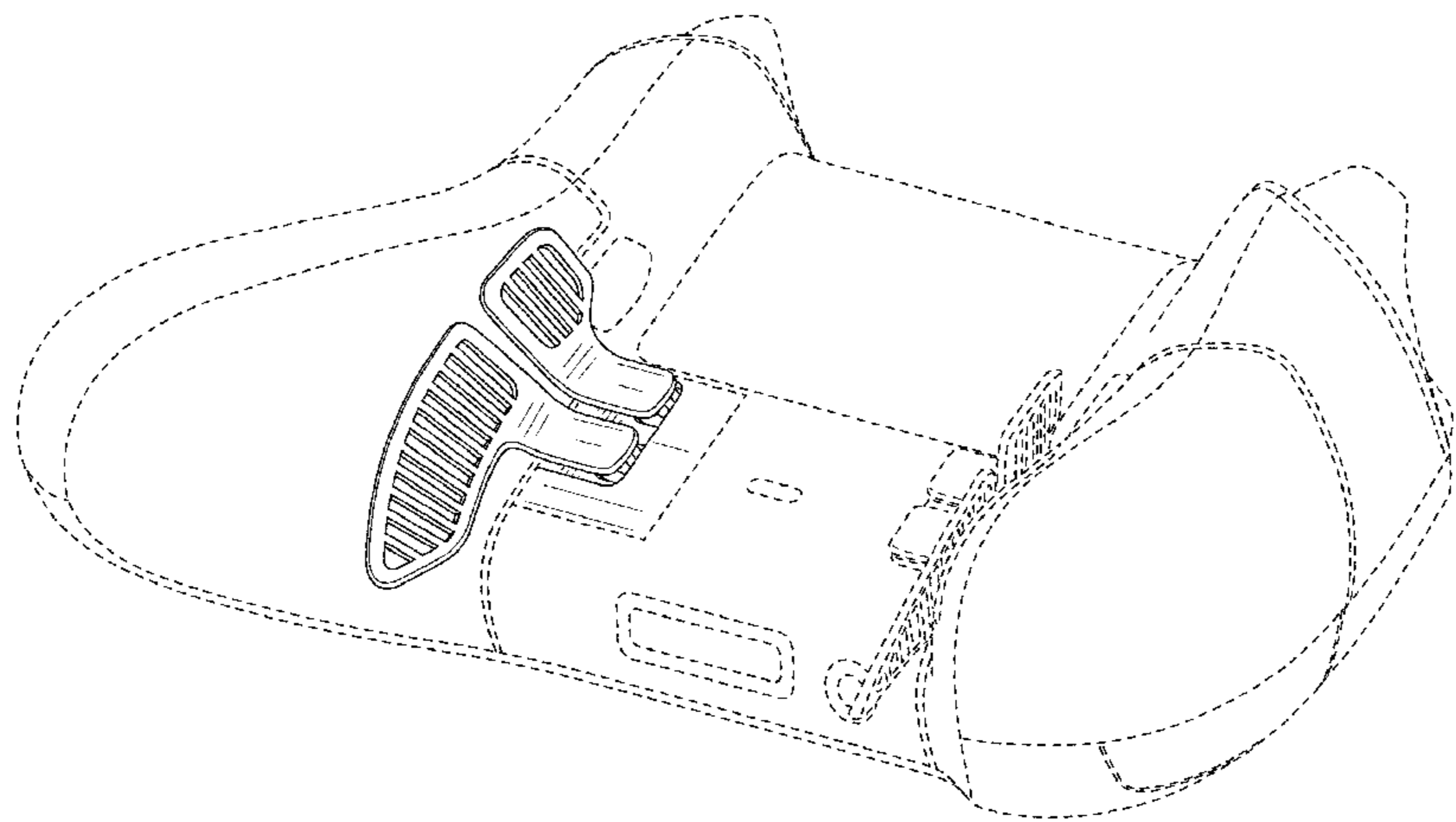
(10) **Patent No.:** **US D784,335 S**
(45) **Date of Patent:** **** Apr. 18, 2017**

- (54) **CONTROLLER WITH REMOVEABLE PADDLES**
- (71) Applicant: **Microsoft Corporation**, Redmond, WA (US)
- (72) Inventors: **Christopher Kujawski**, Seattle, WA (US); **Carl J. Ledbetter**, Mercer Island, WA (US)
- (73) Assignee: **Microsoft Corporation**, Redmond, WA (US)
- (**) Term: **15 Years**
- (21) Appl. No.: **29/543,958**
- (22) Filed: **Oct. 29, 2015**
- (51) **LOC (10) Cl.** **14-03**
- (52) **U.S. Cl.**
USPC **D14/401; D21/333**
- (58) **Field of Classification Search**
USPC D13/103, 108, 158; D14/203.1-203.2, D14/356, 400, 401, 412-417, 454-456, D14/507; D21/324, 329, 333, 566
CPC A63F 13/00; A63F 13/02; A63F 13/06; A63F 9/00; A63F 17/00; A63F 19/00; A63F 9/24; A63F 71/00; A63F 13/005; A63F 13/24; G09G 5/00; G09G 5/08; G11B 19/02; G06F 19/00; G08C 23/04; H04B 7/00
See application file for complete search history.

D430,222 S *	8/2000	Goto	D14/432
6,120,374 A *	9/2000	Akada	A63F 13/005 463/3
D435,551 S	12/2000	Hayes		
6,231,444 B1	5/2001	Goto et al.		
D449,042 S	10/2001	Chung		
D453,932 S	2/2002	Han et al.		
6,463,159 B1	10/2002	Ming-Cheng		
D467,922 S	12/2002	Lee		
D469,436 S *	1/2003	Hussaini	D14/401
D476,376 S	6/2003	Wintersteiger		
6,572,108 B1	6/2003	Bristow		
6,743,100 B1 *	6/2004	Neiser	A63F 13/06 273/148 B
6,956,559 B2	10/2005	Hagiwara et al.		
6,968,070 B1	11/2005	Chiang		
D521,015 S	5/2006	Hayes et al.		
D522,011 S	5/2006	Hayes et al.		
D522,012 S	5/2006	Hayes et al.		
7,063,321 B2	6/2006	Hussaini et al.		
7,105,754 B2	9/2006	Turner		
D533,011 S	12/2006	Pai		
7,195,561 B2	3/2007	Hussaini et al.		
D545,317 S	6/2007	Wang et al.		
7,235,012 B2	6/2007	DiDato		
D547,763 S	7/2007	Hayes et al.		
D556,201 S	11/2007	Ashida et al.		
7,314,413 B2	1/2008	Ogata et al.		
D563,480 S	3/2008	Blaseflug et al.		
D565,668 S	4/2008	Baseflug et al.		
D568,335 S	5/2008	Armstrong et al.		
D569,388 S	5/2008	Armstrong et al.		
D581,422 S	11/2008	Hayes et al.		
7,445,550 B2	11/2008	Barney et al.		
D585,931 S *	2/2009	Palmer	D14/401
D601,564 S	10/2009	Maeno		
D619,596 S	7/2010	Maitlen et al.		
7,762,553 B2	7/2010	Harris		
D624,049 S	9/2010	Liu		
7,887,768 B2	2/2011	Honjo et al.		
D636,773 S	4/2011	Lin		
D637,153 S	5/2011	Ikeda et al.		
D638,016 S	5/2011	Ikeda		
D646,275 S	10/2011	Ikeda et al.		
D650,795 S	12/2011	Koehn		
D655,350 S	3/2012	Taniguchi et al.		
D658,178 S	4/2012	Ikeda et al.		
D658,179 S *	4/2012	Ikeda	D14/401
D659,140 S	5/2012	Ikeda et al.		
D667,892 S	9/2012	Burgess et al.		
D685,434 S	7/2013	Ali et al.		
8,487,876 B2	7/2013	Ikeda et al.		
D692,001 S	10/2013	Ibuki et al.		

(56) **References Cited**
U.S. PATENT DOCUMENTS

D368,936 S	4/1996	Goto		
5,551,693 A *	9/1996	Goto	A63F 13/06 345/169
D398,214 S	9/1998	Yui		
5,923,317 A *	7/1999	Sayler	A63F 13/06 345/156
D415,485 S *	10/1999	Leifer	D14/401
D415,752 S	10/1999	Tyler et al.		
D424,047 S	5/2000	Chan		



8,545,323	B2	10/2013	McVicar et al.	
D692,887	S	11/2013	Ibuki et al.	
D694,830	S	12/2013	Crowley et al.	
D700,182	S	2/2014	Kidakarn	
8,641,525	B2	2/2014	Burgess et al.	
D707,758	S	6/2014	Norman et al.	
D708,615	S	7/2014	Delrue et al.	
D709,498	S	7/2014	Morris et al.	
D709,499	S	7/2014	Morris et al.	
D709,882	S	7/2014	Morris et al.	
D712,973	S	9/2014	Sumii et al.	
D715,865	S	10/2014	Morris et al.	
8,903,100	B2	12/2014	Hiraki	
8,903,111	B2	12/2014	Garet et al.	
8,925,414	B1	1/2015	Park et al.	
8,994,666	B2	3/2015	Karpfinger	
D730,451	S	5/2015	Burgess et al.	
9,029,721	B2	5/2015	Ikeda et al.	
9,053,243	B2	6/2015	Townsend	
D733,802	S	7/2015	Burgess et al.	
D736,322	S	8/2015	Navid	
9,118,750	B2	8/2015	Vossoughi et al.	
D740,825	S *	10/2015	Bellinghausen	D14/401
D745,607	S	12/2015	Jones	
D748,734	S	2/2016	Burgess et al.	
9,251,701	B2	2/2016	Plagge et al.	
D754,128	S	4/2016	Bellinghausen et al.	
D765,790	S	9/2016	Chatterjee et al.	
D765,791	S	9/2016	Chatterjee et al.	
D765,792	S	9/2016	Chatterjee et al.	
D765,793	S	9/2016	Chatterjee et al.	
2006/0079328	A1 *	4/2006	Wang	A63F 13/06 463/37
2006/0116204	A1	6/2006	Chen et al.	
2013/0130800	A1 *	5/2013	Sirilux	A63F 13/24 463/37

FOREIGN PATENT DOCUMENTS

JP	D1297485	4/2007
JP	D1424810	10/2011
JP	D1492113	2/2014
JP	D1492115	3/2014
JP	D1549312	4/2016
KR	30-0751062-000	7/2014
TW	D165793	2/2015

OTHER PUBLICATIONS

Side-by-side: Xbox One Gamepad vs Xbox 360 gamepad (Jun. 11, 2013), <http://www.techradar.com/us/news/gaming/consoles/side-by-side-xbox-one-gamepad-vs-xbox-360-gamepad-1158091>.

May 2, 2016—(US) Notice of Allowance—U.S. Appl. No. 29/530,225, filed Jun. 15, 2015; Inv: Christopher Kujawski.
 May 11, 2016—(US) Restriction Requirement—U.S. Appl. No. 29/530,106, filed Jun. 15, 2015; Inv: Christopher Kujawski.
 May 10, 2016—(US) Restriction Requirement—U.S. Appl. No. 29/530,098, filed Jun. 15, 2015; Inv: Christopher Kujawski.
 May 17, 2016—(US) Notice of Allowance—U.S. Appl. No. 29/530,102, filed Jun. 12, 2015; Inv: Christopher Kujawski.
 May 6, 2016—(US) Notice of Allowance—U.S. Appl. No. 29/530,110, filed Jun. 12, 2015; Inv: Christopher Kujawski.
 May 5, 2016—(US) Notice of Allowance—U.S. Appl. No. 29/530,108, filed Jun. 12, 2015; Inv: Christopher Kujawski.
 May 2, 2016—(US) Notice of Allowance—U.S. Appl. No. 29/530,122, filed Jun. 12, 2015; Inv: Christopher Kujawski.
 Apr. 26, 2016—(US) Notice of Allowance—U.S. Appl. No. 29/530,111, filed Jun. 12, 2015; Inv: Christopher Kujawski.
 Apr. 11, 2016—(US) Notice of Allowance—U.S. Appl. No. 29/530,113, filed Jun. 12, 2015; Inv: Christopher Kujawski.
 Apr. 14, 2016—(US) Non-Final Office Action—U.S. Appl. No. 29/530,114, filed Jun. 12, 2015; Inv: Christopher Kujawski.
 Apr. 11, 2016—(US) Notice of Allowance—U.S. Appl. No. 29/530,115, filed Jun. 12, 2015; Inv: Christopher Kujawski.

May 6, 2016—(US) Notice of Allowance—U.S. Appl. No. 29/530,116, filed Jun. 12, 2015; Inv: Christopher Kujawski.
 May 2, 2016—(US) Notice of Allowance—U.S. Appl. No. 29/530,120, filed Jun. 12, 2015; Inv: Christopher Kujawski.
 May 6, 2016—(US) Notice of Allowance—U.S. Appl. No. 29/530,285, filed Jun. 15, 2015; Inv: Christopher Kujawski.
 Jun. 22, 2016—(US) Notice of Allowance—U.S. Appl. No. 29/530,243, filed Jun. 12, 2015; Inv: Christopher Kujawski.
 Apr. 26, 2016—(US) Non-Final Office Action—U.S. Appl. No. 29/530,237, filed Jun. 15, 2015; Inv: Christopher Kujawski.
 Jul. 27, 2016—(IN) Office Action—App No. 282967; filed Apr. 28, 2016; Inv: Christopher Kujawski.
 Aug. 2, 2016—(IN) Office Action—App 282964; filed Apr. 28, 2016; Inv: Christopher Kujawski.
 Jul. 27, 2016—(IN) Office Action—App 282965; filed Apr. 28, 2016; Inv: Christopher Kujawski.
 Aug. 2, 2016—(IN) Office Action—App 282968; filed Apr. 28, 2016; Inv: Christopher Kujawski.
 Aug. 4, 2016—(VN) Office Action—App 282968; filed Apr. 27, 2016; Inv: Christopher Kujawski.
 Aug. 2, 2016—(IN) Office Action—App 282966; filed Apr. 28, 2016; Inv: Christopher Kujawski.
 Jul. 22, 2016—(US) Notice of Allowance—U.S. Appl. No. 29/530,098, filed Jun. 12, 2015; Inv: Christopher Kujawski.
 Jul. 22, 2016—(US) Notice of Allowance—U.S. Appl. No. 29/530,106, filed Jun. 12, 2015; Inv: Christopher Kujawski.
 Jul. 25, 2016—(US) Notice of Allowance—U.S. Appl. No. 29/530,112, filed Jun. 12, 2015; Inv: Christopher Kujawski.
 Aug. 1, 2016—(US) Notice of Allowance—U.S. Appl. No. 29/530,114, filed Jun. 12, 2015; Inv: Christopher Kujawski.
 Aug. 5, 2016—(US) Notice of Allowance—U.S. Appl. No. 29/530,237, filed Jun. 15, 2015; Inv: Christopher Kujawski.
 May 19, 2016—(KR) Office Action—App 30-2015-0063248; filed Dec. 11, 2015; Inv: Christopher Kujawski.
 Aug. 22, 2016—(KR) Office Action—App 30-2015-0063248; filed Dec. 11, 2015; Inv: Christopher Kujawski.
 Apr. 26, 2016—(JP) Office Action—App 2015-027786; filed Dec. 11, 2015; Inv: Christopher Kujawski.
 Aug. 23, 2016—(JP) Office Action—App 2015-027786; filed Dec. 11, 2015; Inv: Christopher Kujawski.
 Sep. 23, 2016—(US) Notice of Allowance—U.S. Appl. No. 29/543,968, filed Oct. 29, 2015; Inv.: Christopher Kujawski.

* cited by examiner

Primary Examiner — Freda S Nunn

(74) Attorney, Agent, or Firm — Banner & Witcoff, Ltd.

(57) CLAIM

The ornamental design for a controller with removeable paddles, as shown and described.

DESCRIPTION

FIG. 1 is a rear perspective view of a controller with removeable paddles showing our new design in a first, attached state;
 FIG. 2 is a bottom view thereof;
 FIG. 3 is a rear view thereof;
 FIG. 4 is a front view thereof;
 FIG. 5 is a left side view thereof;
 FIG. 6 is a right side view thereof;
 FIG. 7 is a top view thereof;
 FIG. 8 is a rear perspective view of the controller with removeable paddles of FIGS. 1-7 shown in a second, removed state;
 FIG. 9 is a bottom view thereof;
 FIG. 10 is a rear view thereof;
 FIG. 11 is a front view thereof;

FIG. 12 is a left side view thereof;
FIG. 13 is a right side view thereof; and,
FIG. 14 is a top view thereof.

The broken line showing of the various unshaded elements of the controller with removeable paddles in FIGS. 1-14 is for environmental purposes only and forms no part of the claimed design.

1 Claim, 14 Drawing Sheets

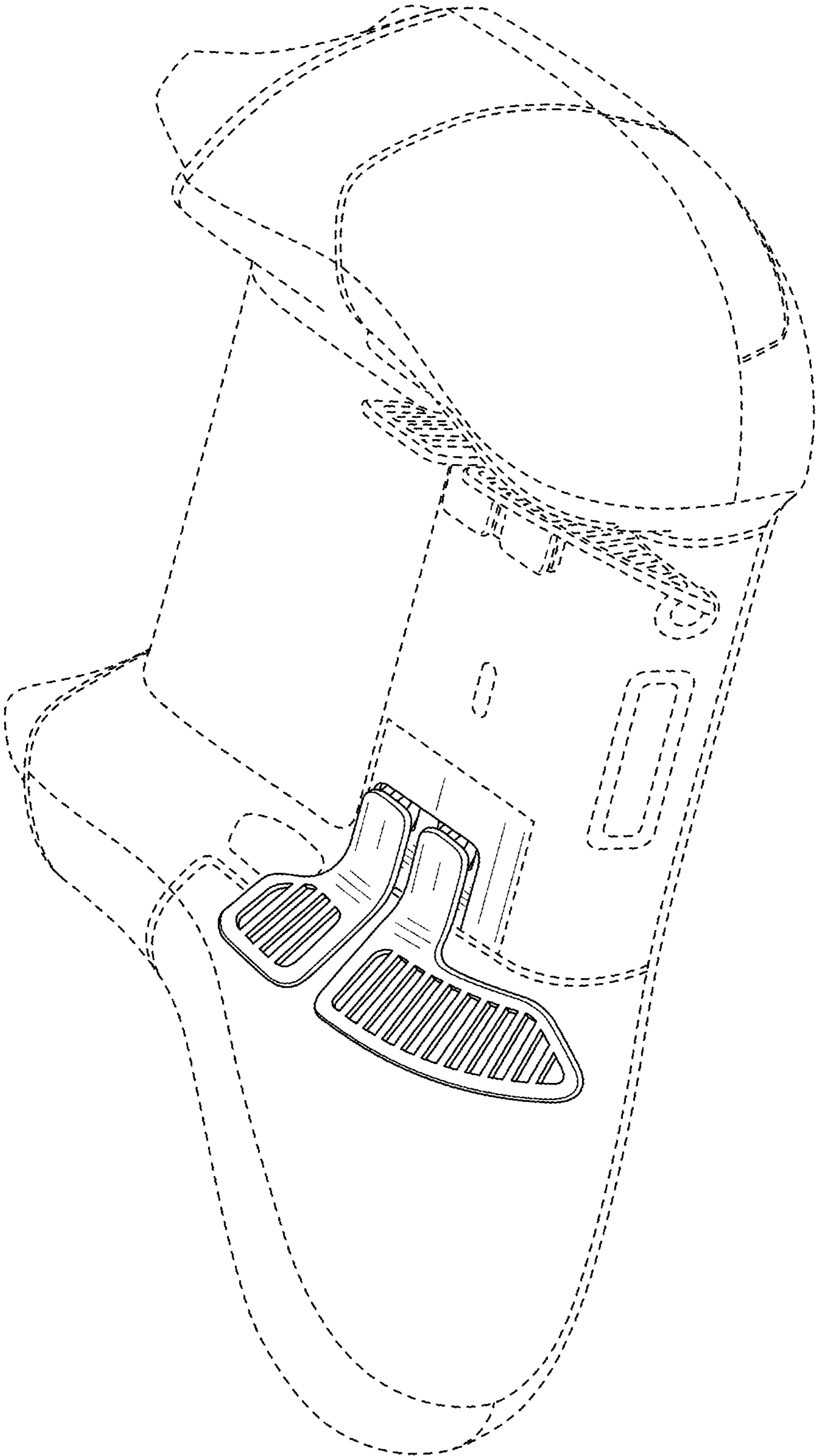


FIG. 1

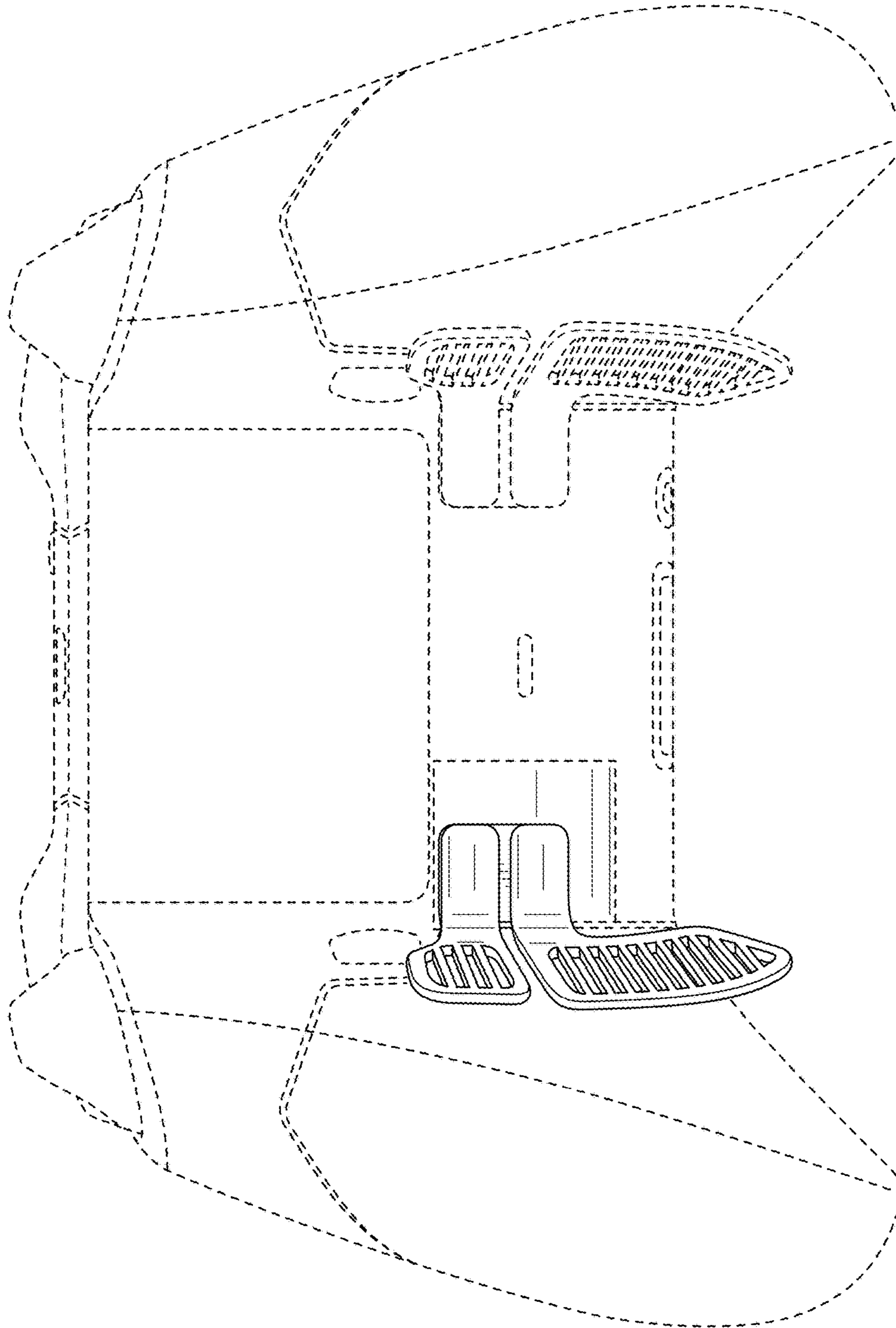


FIG. 2

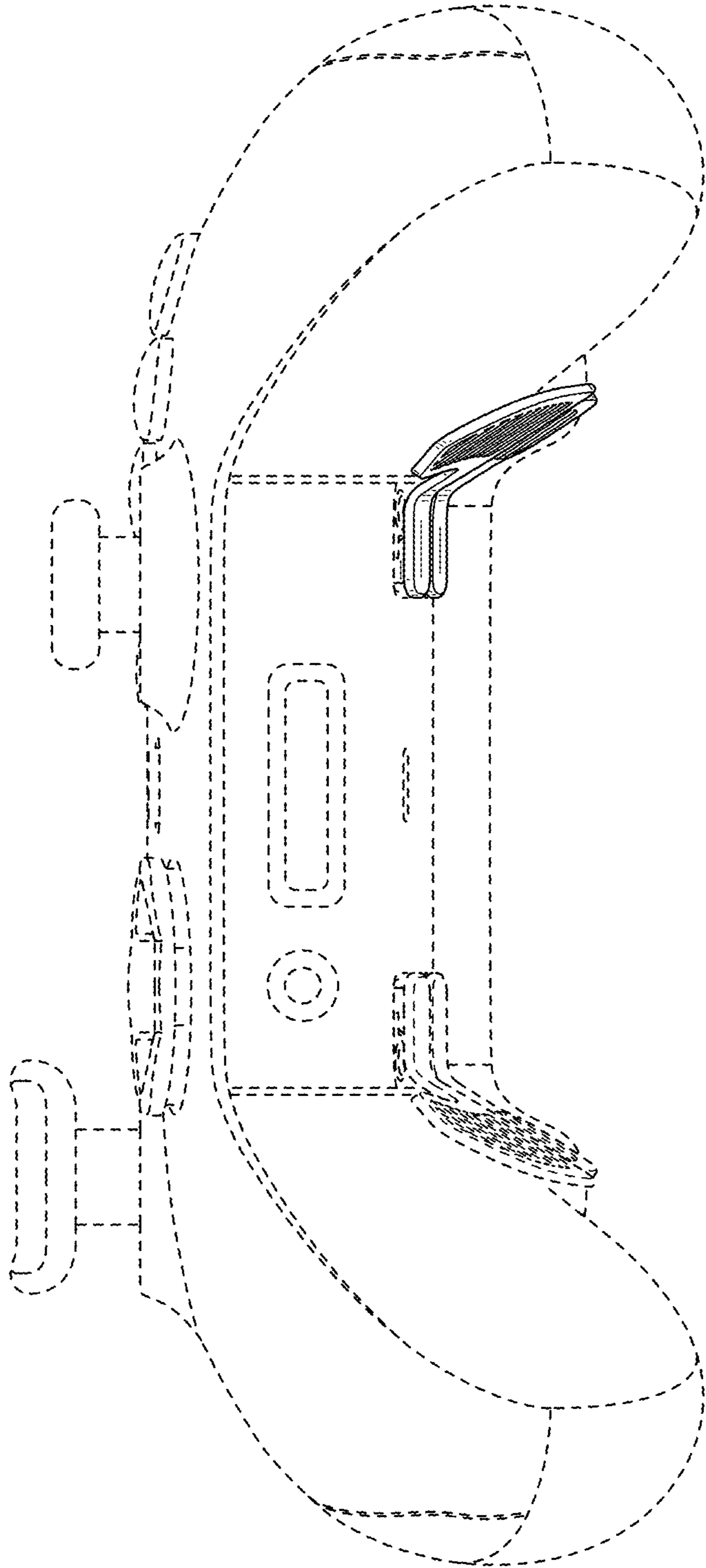


FIG. 3

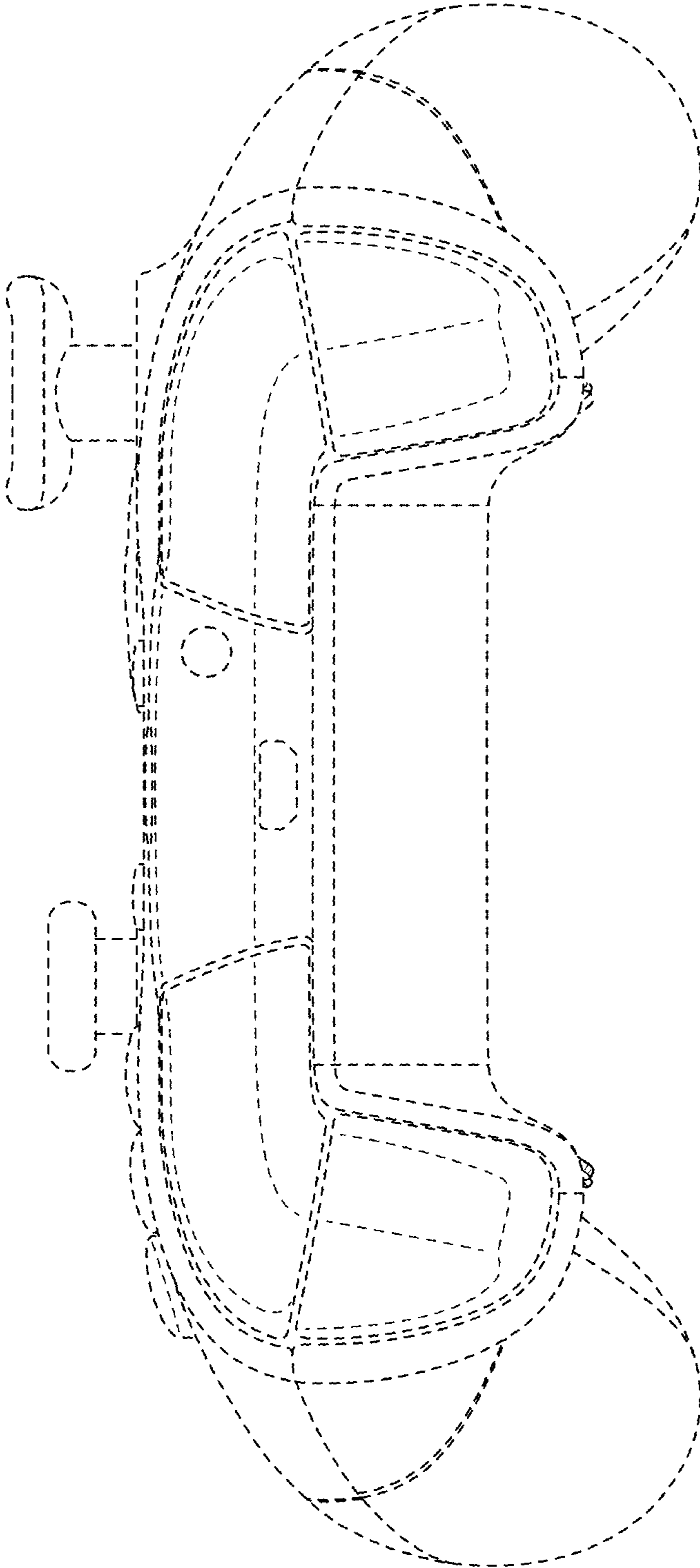


FIG. 4

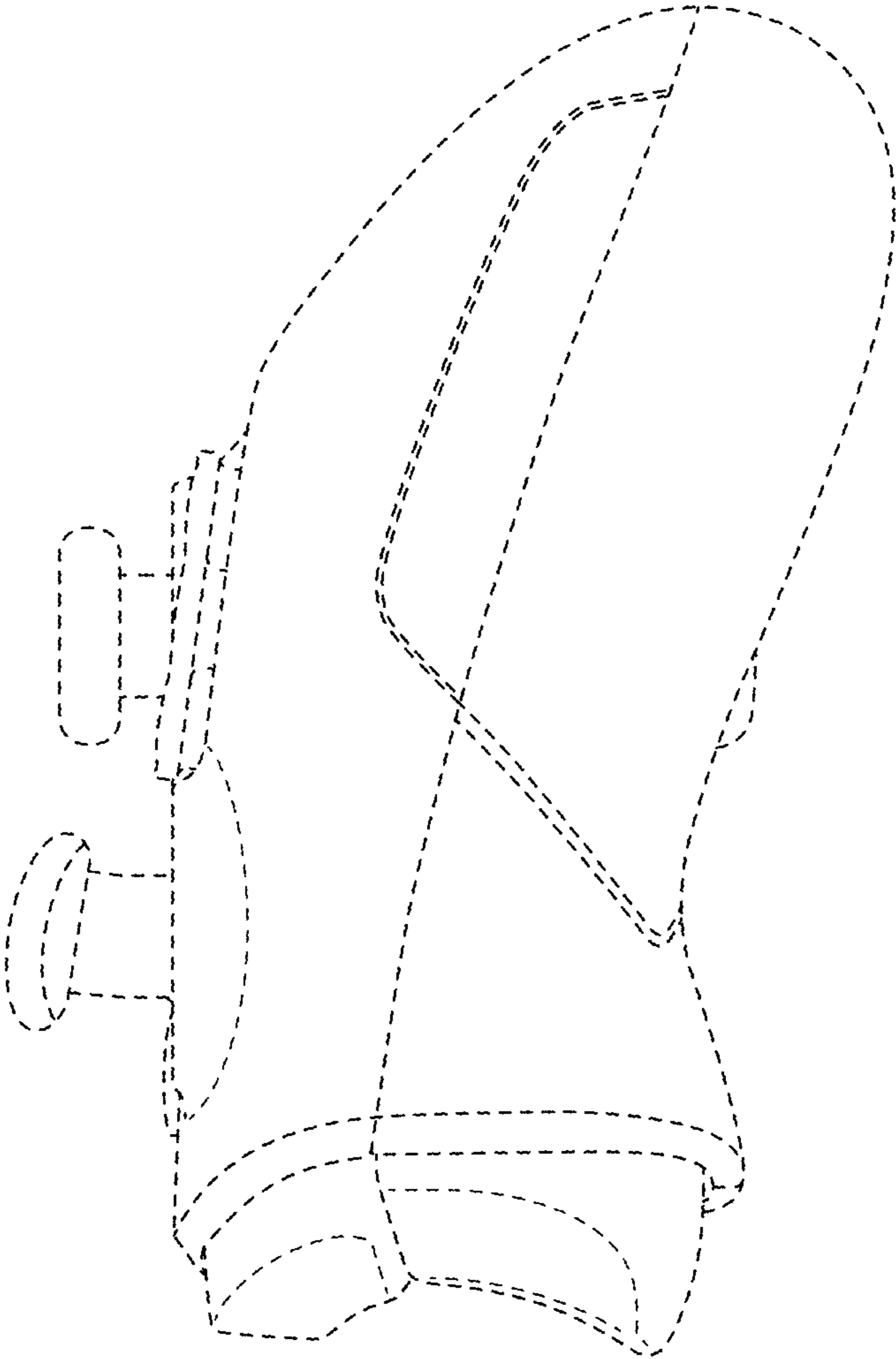


FIG. 5

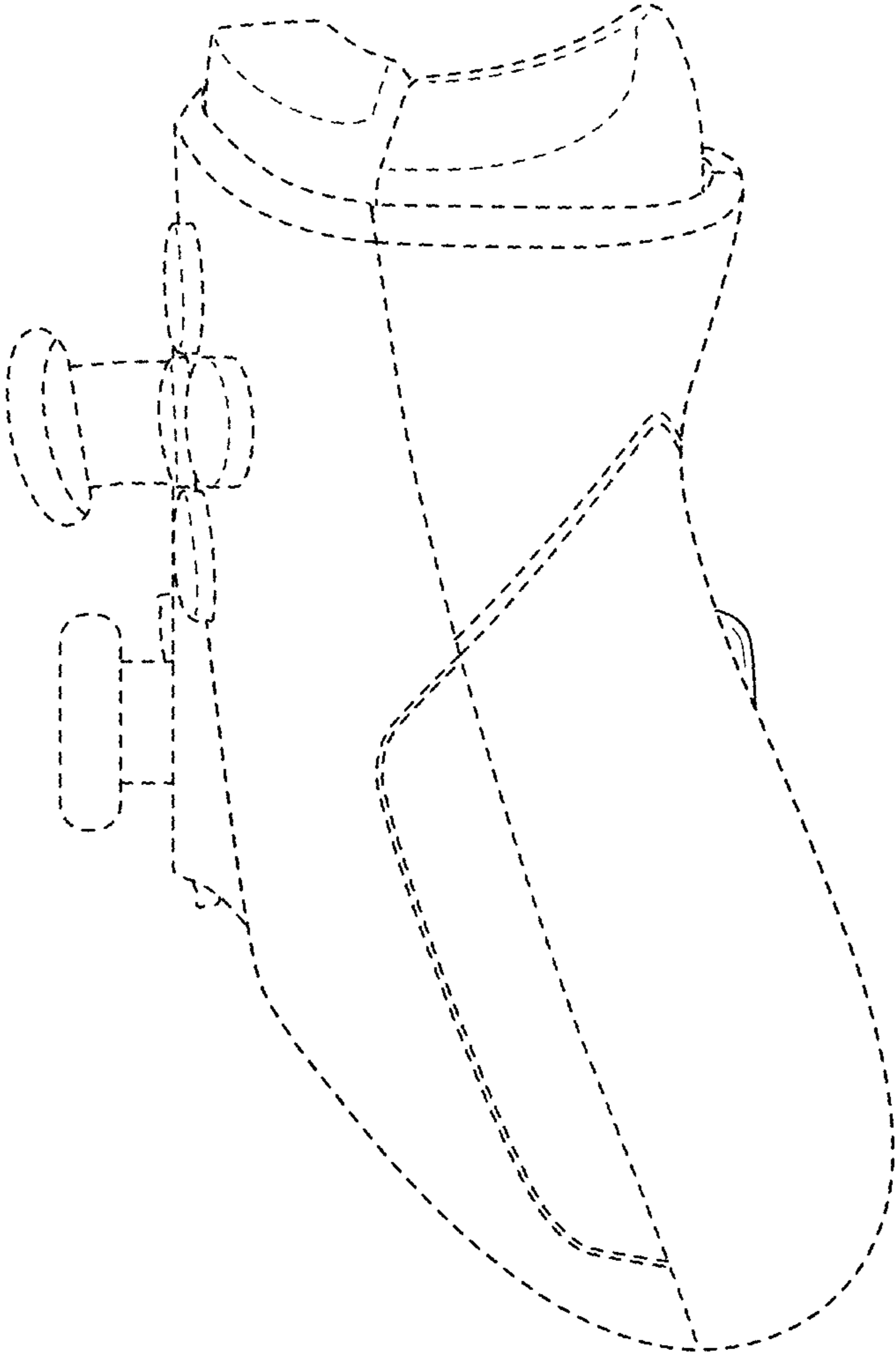


FIG. 6

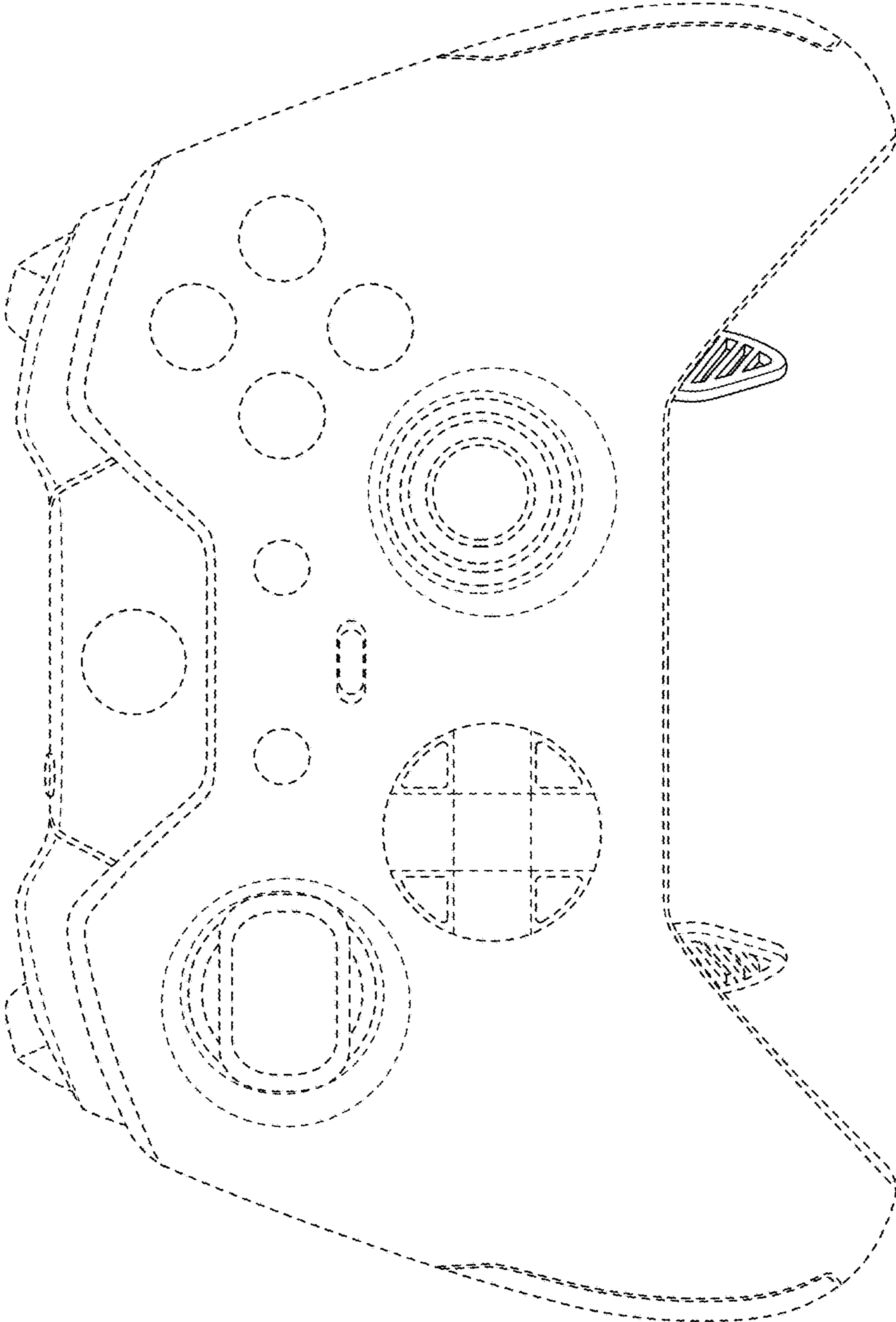


FIG. 7

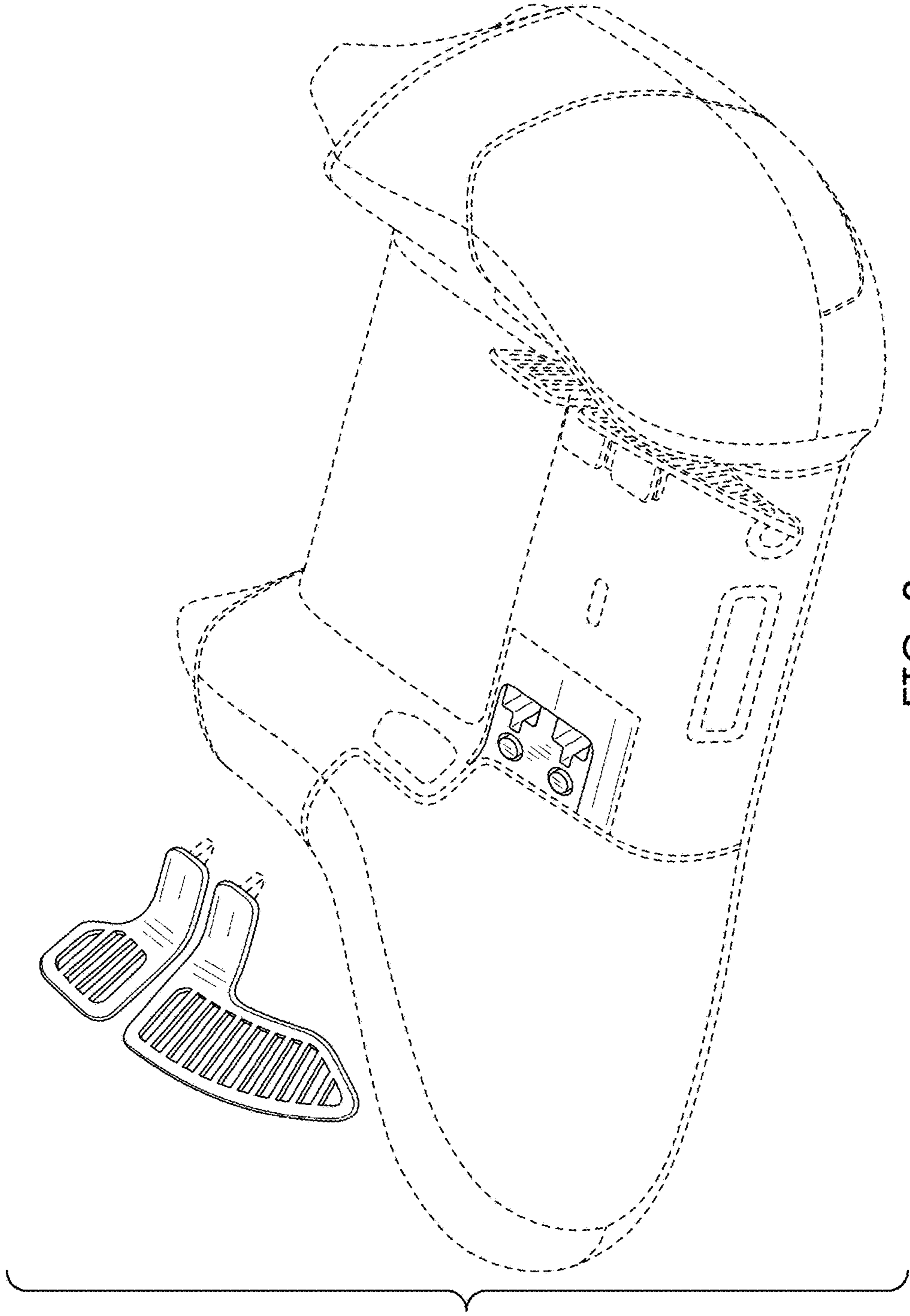


FIG. 8

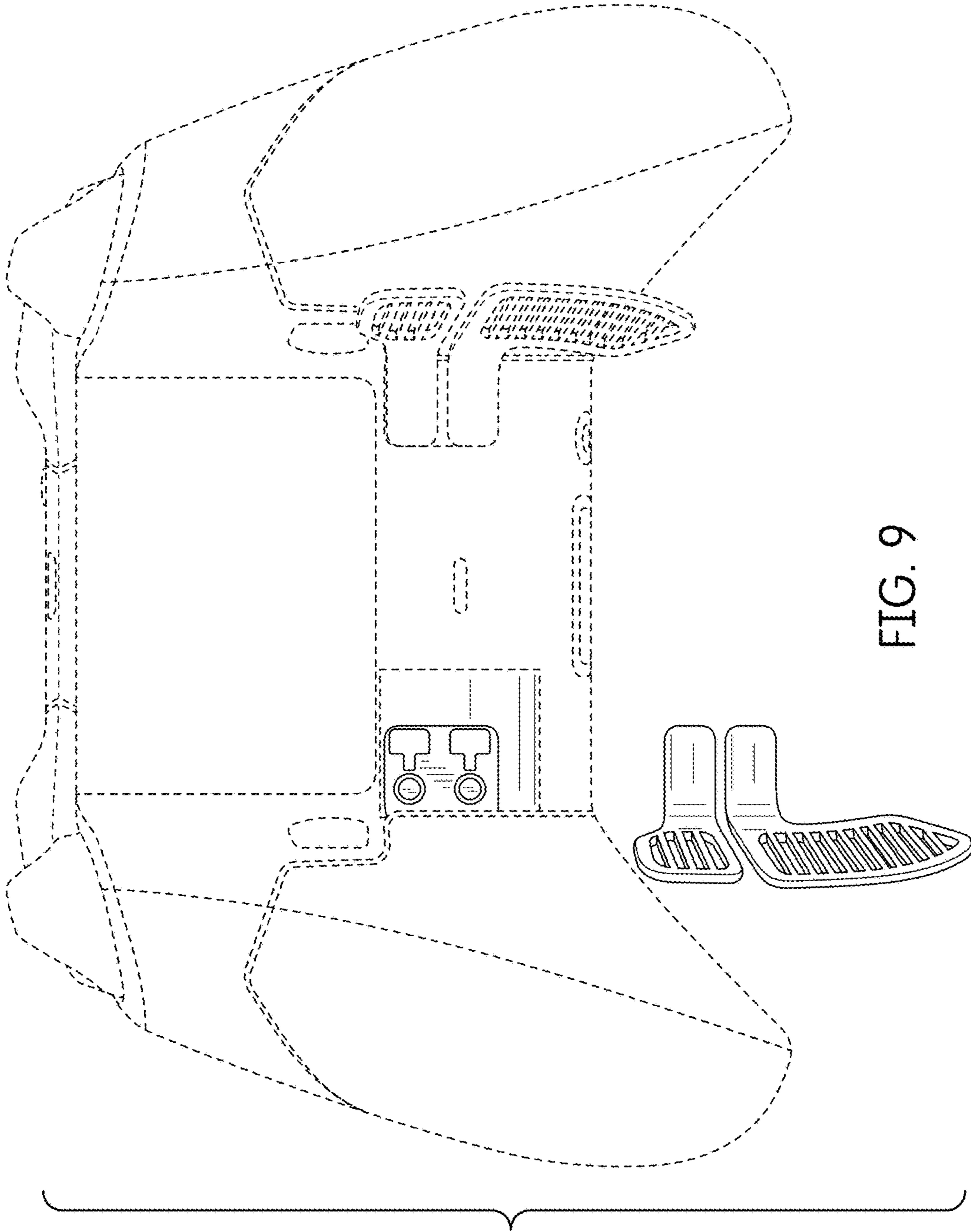


FIG. 9

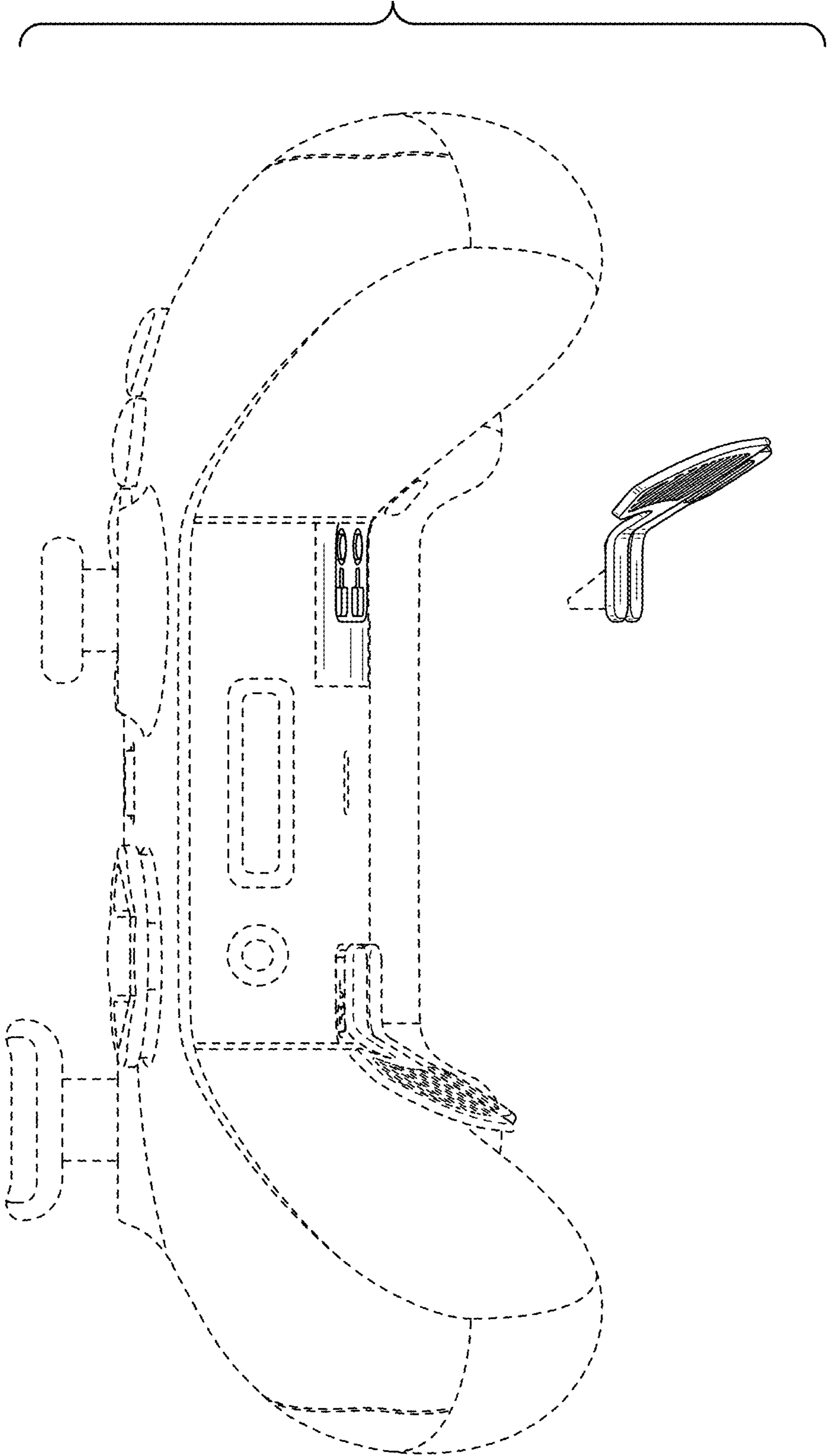


FIG. 10

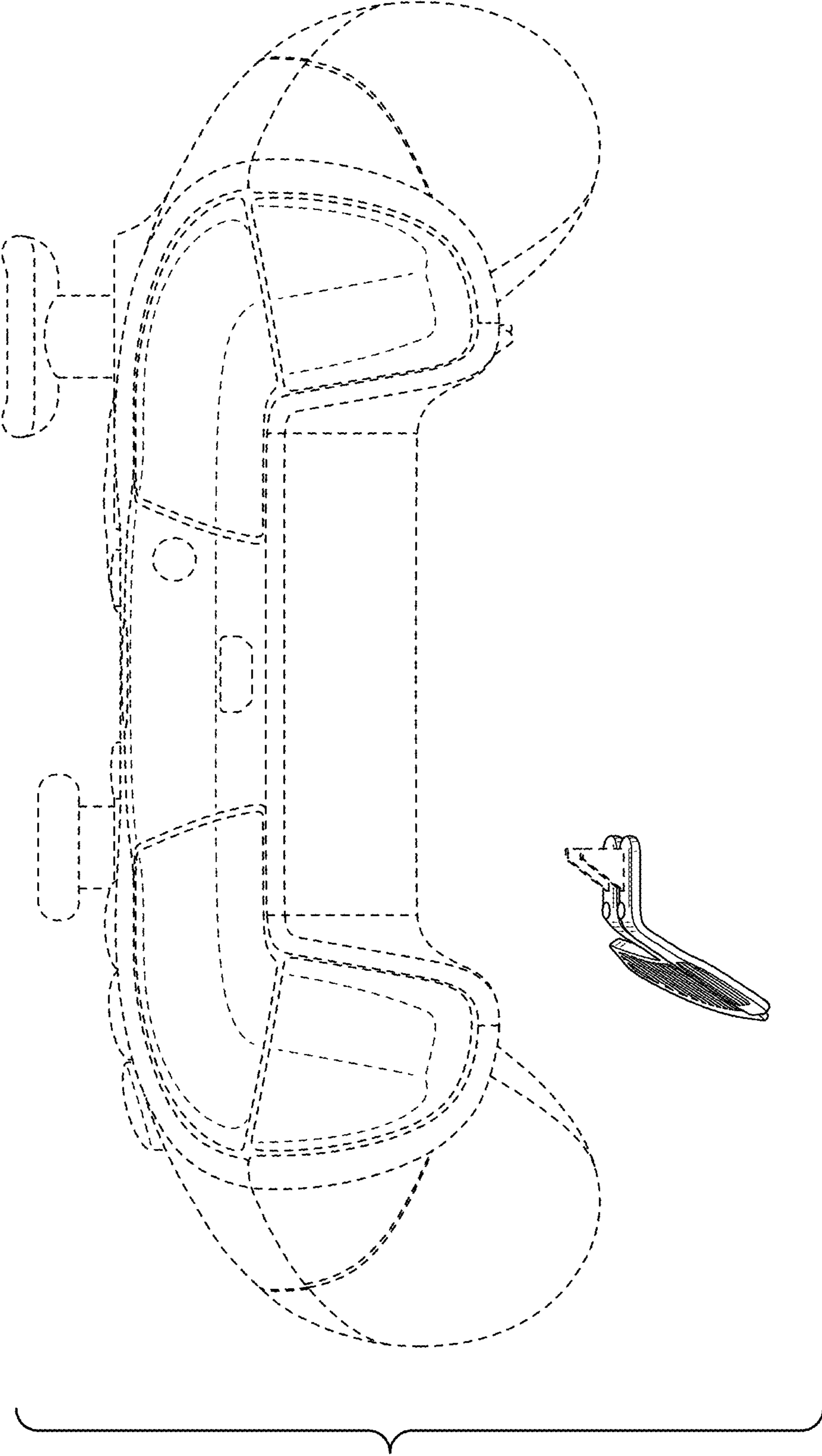


FIG. 11

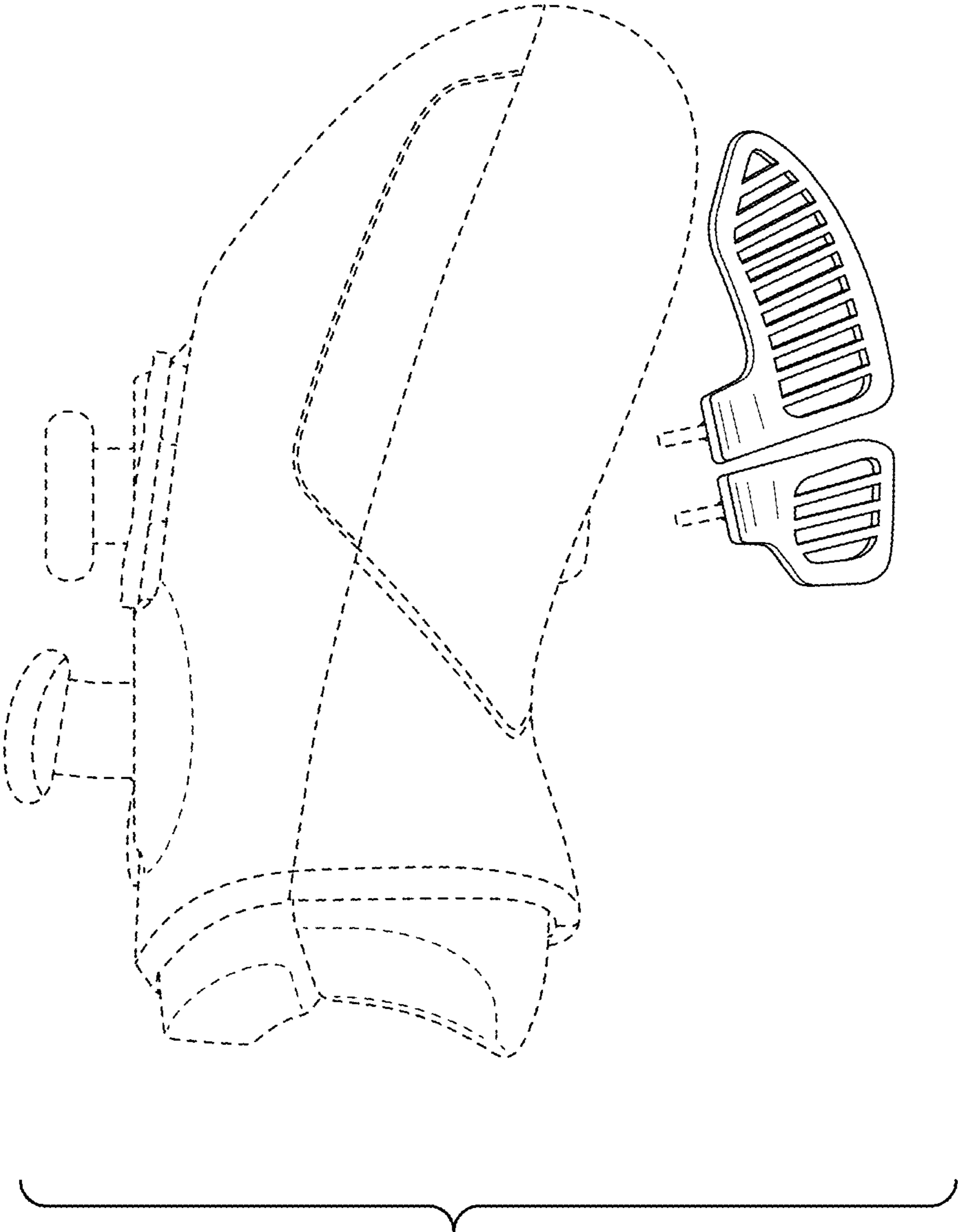


FIG. 12

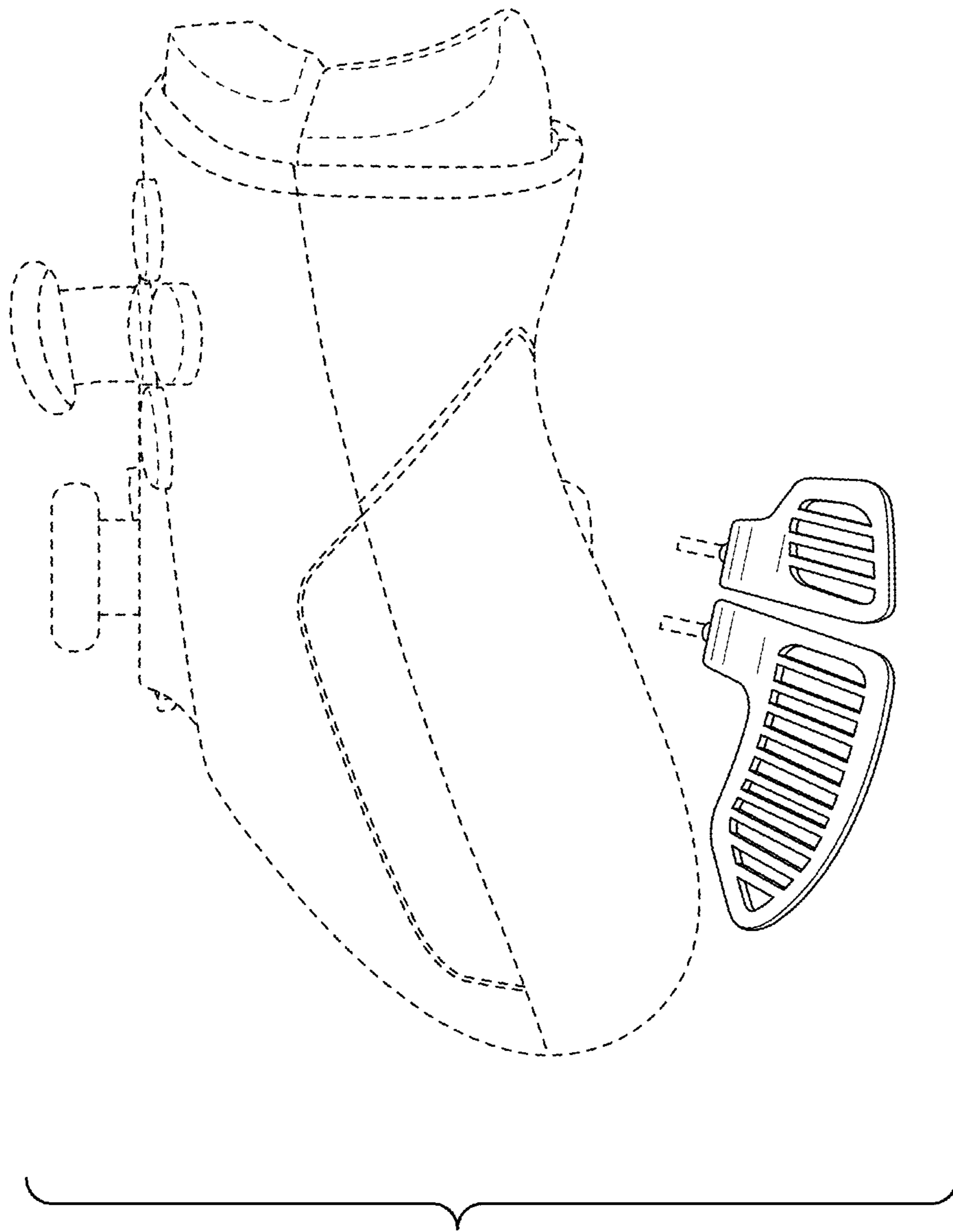


FIG. 13

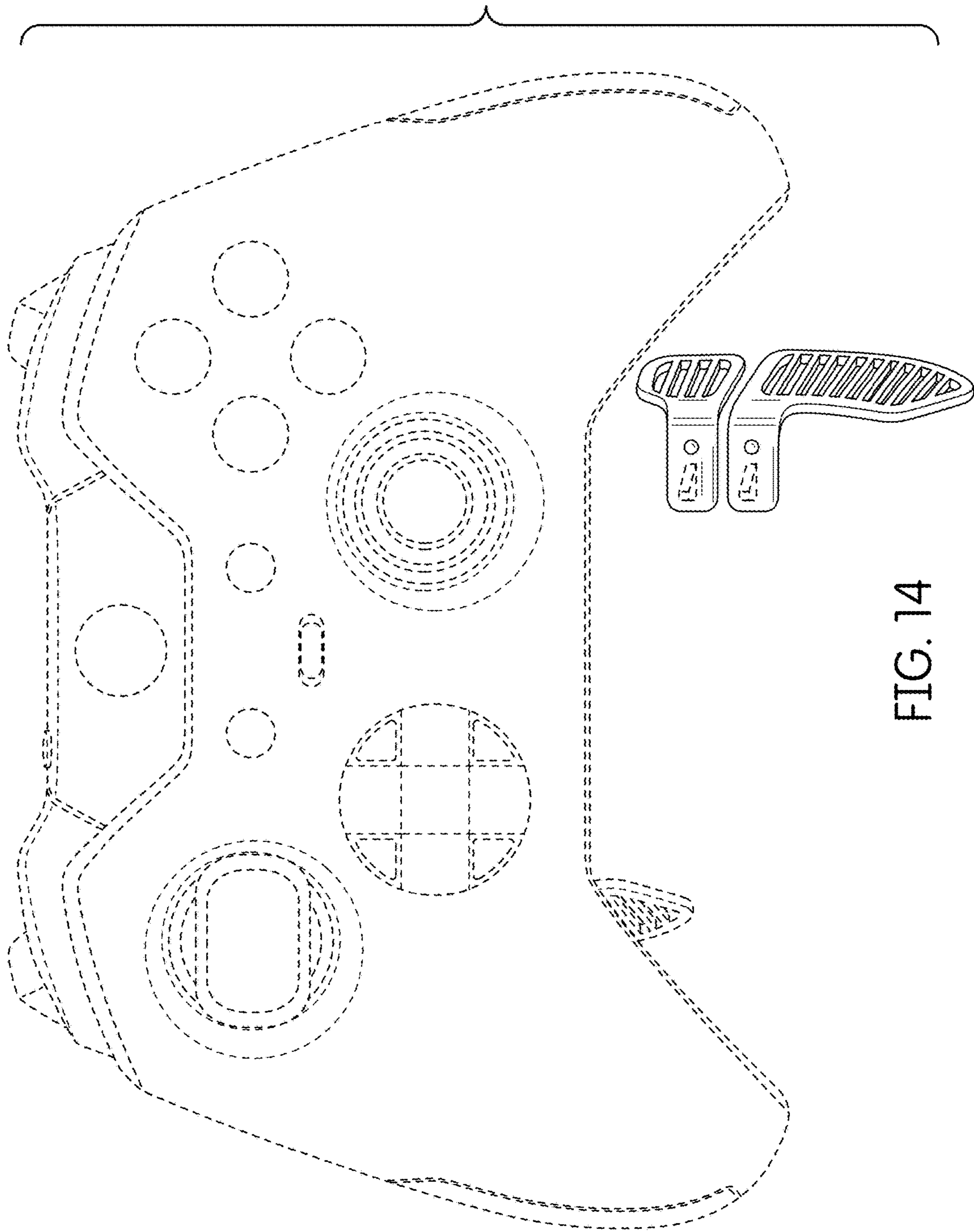


FIG. 14