



US00D784332S

(12) **United States Design Patent**  
**Hsu**

(10) **Patent No.:** **US D784,332 S**

(45) **Date of Patent:** **\*\* Apr. 18, 2017**

- (54) **ELECTRONIC DOOR LOCK**
- (71) Applicant: **Spectrum Brands, Inc.**, Middleton, WI (US)
- (72) Inventor: **Wei Hsu**, Lake Forest, CA (US)
- (73) Assignee: **Spectrum Brands, Inc.**, Middleton, WI (US)

|              |         |                  |         |
|--------------|---------|------------------|---------|
| D508,245 S * | 8/2005  | Ozolins .....    | D14/383 |
| D638,015 S * | 5/2011  | Chong .....      | D14/336 |
| D673,952 S * | 1/2013  | Toda .....       | D14/383 |
| D718,307 S * | 11/2014 | Ozolins .....    | D14/383 |
| D727,321 S * | 4/2015  | LaBorde .....    | D14/383 |
| D727,901 S * | 4/2015  | Nishimura .....  | D14/383 |
| D728,675 S * | 5/2015  | Daniel .....     | D14/383 |
| D748,629 S * | 2/2016  | Brown .....      | D14/383 |
| D749,075 S * | 2/2016  | Brown .....      | D14/383 |
| D761,260 S * | 7/2016  | Luo .....        | D14/383 |
| D771,042 S * | 11/2016 | Ehrensvard ..... | D14/383 |

(\*\*) Term: **15 Years**

\* cited by examiner

(21) Appl. No.: **29/561,364**

*Primary Examiner* — Austin Murphy

(22) Filed: **Apr. 15, 2016**

(74) *Attorney, Agent, or Firm* — Banner & Witcoff, Ltd.

(51) **LOC (10) Cl.** ..... **14-02**

(52) **U.S. Cl.**  
USPC ..... **D14/383**

(57) **CLAIM**

(58) **Field of Classification Search**  
 USPC ..... D14/356–358, 383–385, 420, 426, 427,  
 D14/432–439, 447, 453, 454, 217, 253,  
 D14/299, 307; D13/107, 108, 133, 146,  
 D13/147, 152, 154, 156, 158, 162, 162.1,  
 D13/168, 173, 177, 102; 235/441, 451,  
 235/492, 380, 439, 375; 361/679.31, 600,  
 361/679.01, 679.02  
 CPC ..... G07C 9/00103; G07C 9/00039; G07C  
 9/00904; G06K 5/00; G06K 7/01  
 See application file for complete search history.

The ornamental design for an electronic door lock, as shown and described.

**DESCRIPTION**

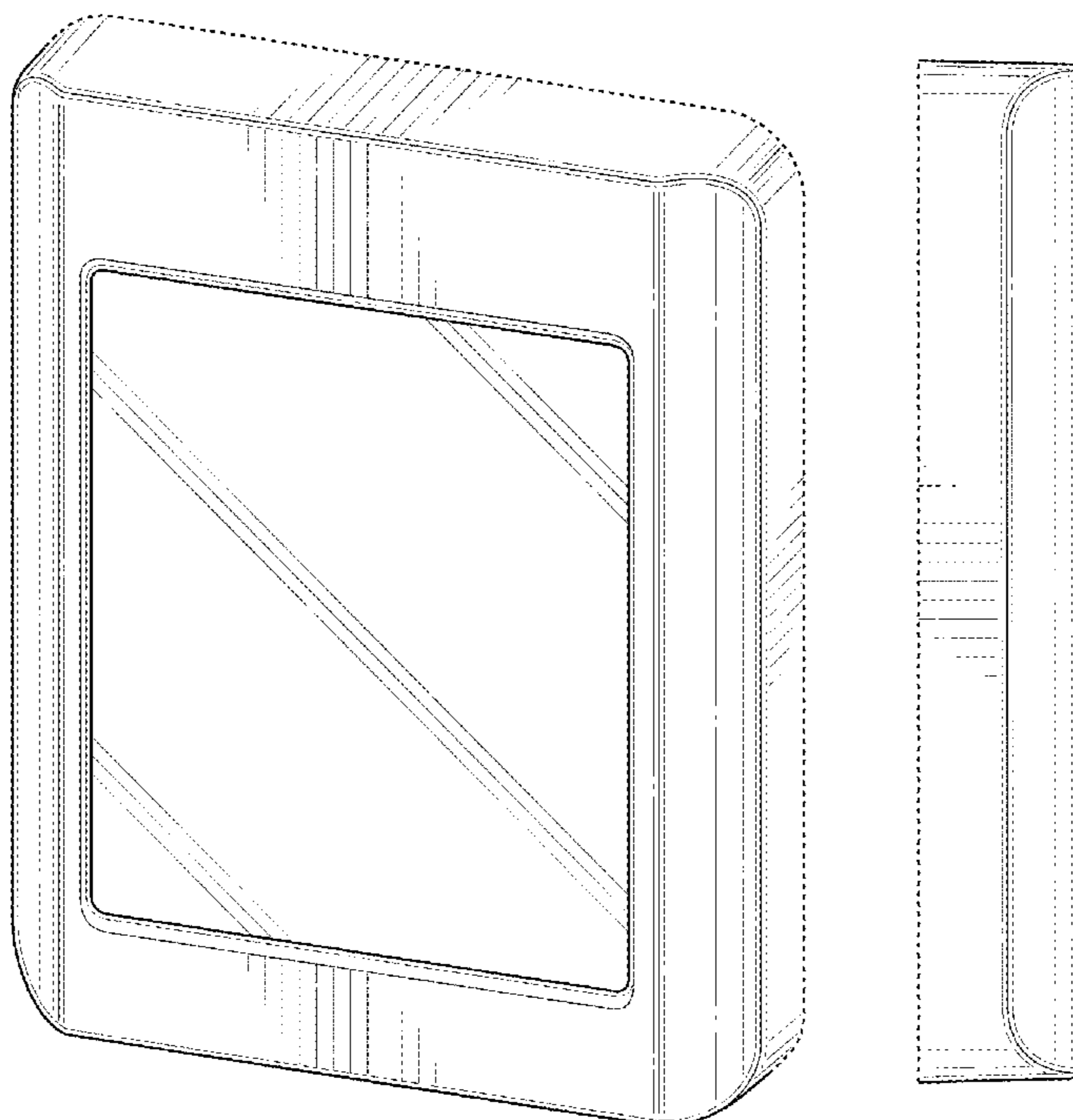
FIG. 1 is a front perspective view of an electronic door lock showing my new design;  
 FIG. 2 is a front view thereof;  
 FIG. 3 is a left side view thereof;  
 FIG. 4 is a right side view thereof;  
 FIG. 5 is a top view thereof; and,  
 FIG. 6 is a bottom view thereof.  
 The broken line adjacent to the shaded areas represents an unclaimed boundary of the design.

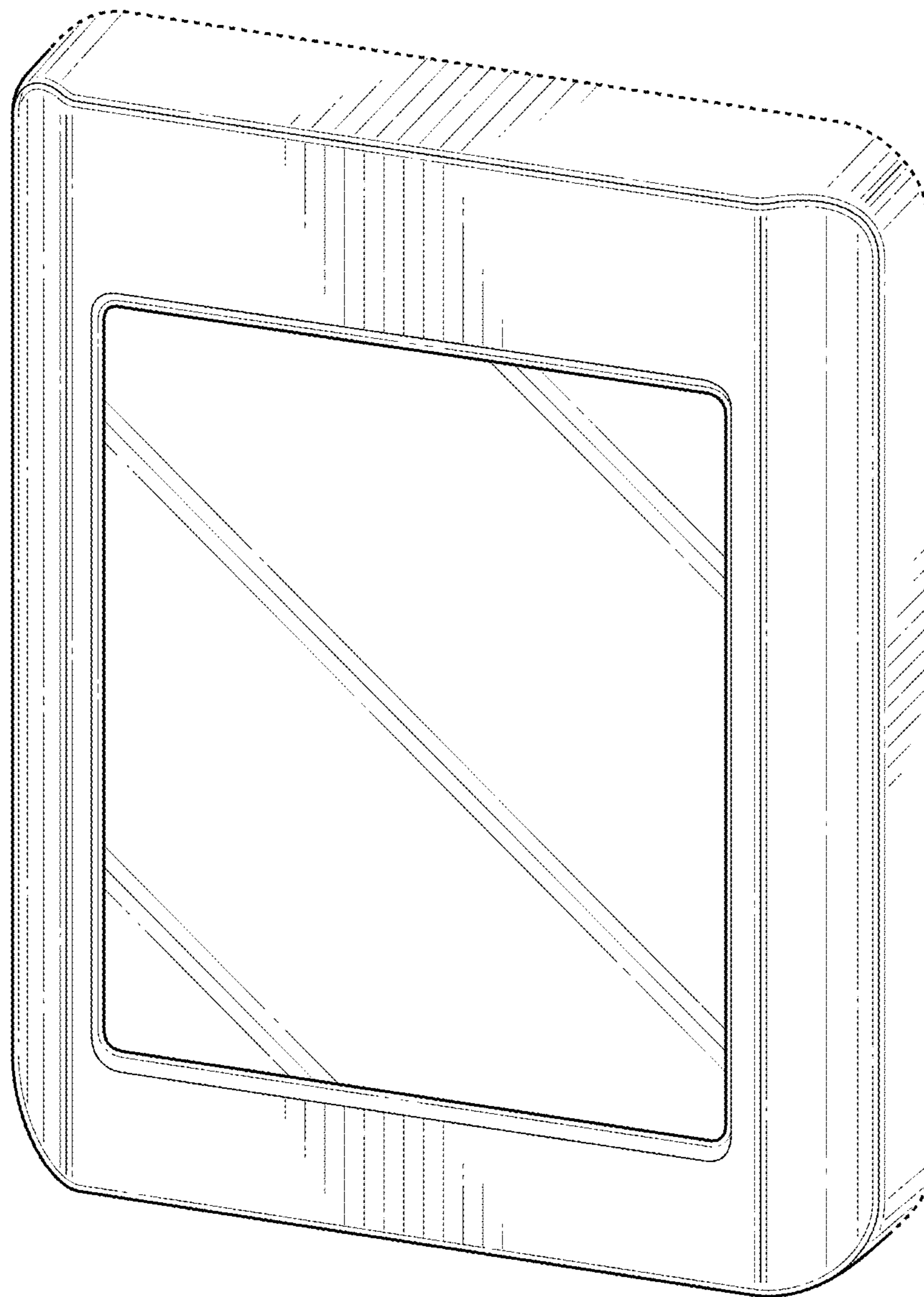
(56) **References Cited**

**U.S. PATENT DOCUMENTS**

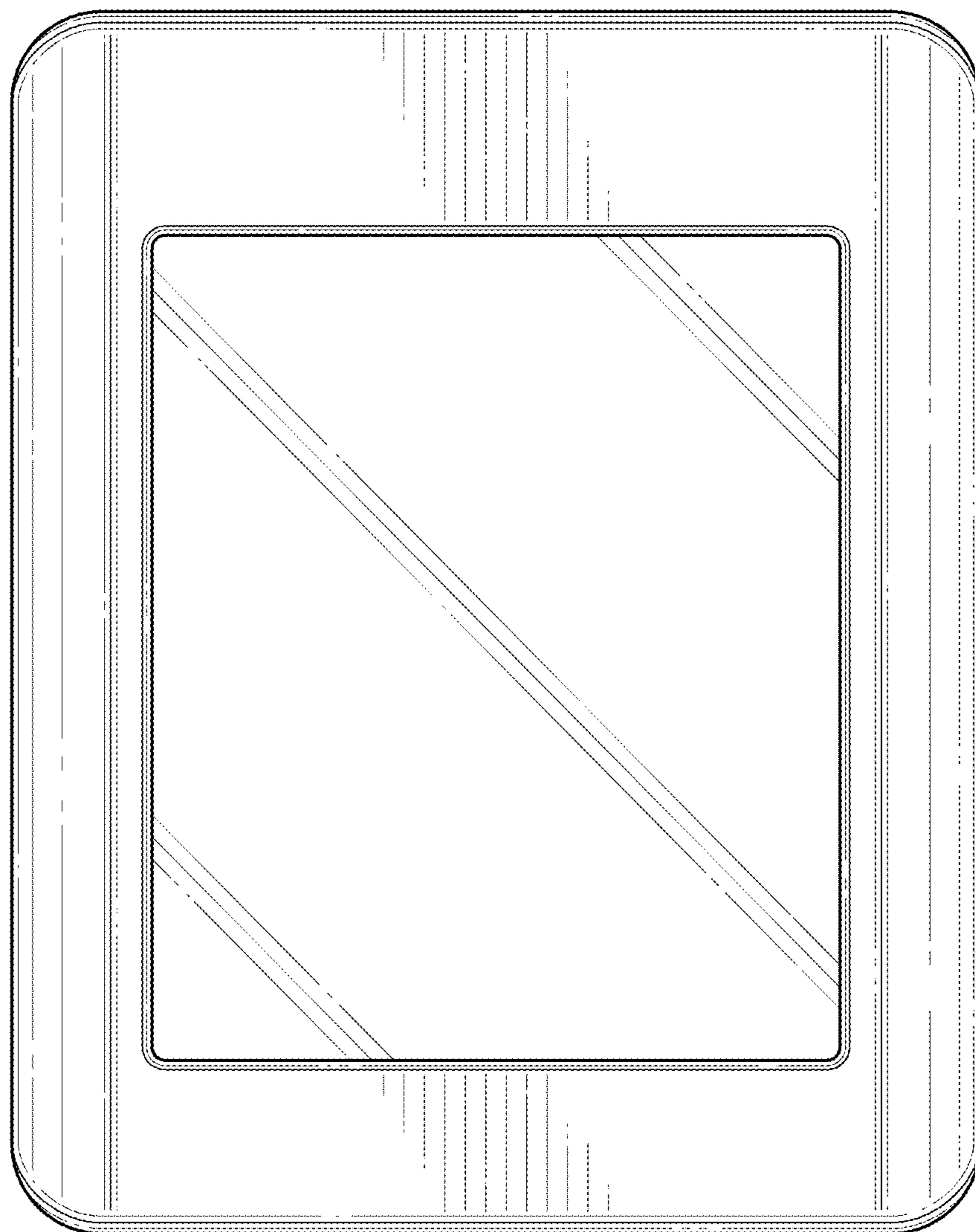
|              |        |                  |         |
|--------------|--------|------------------|---------|
| D255,899 S * | 7/1980 | Karas .....      | D14/383 |
| D477,815 S * | 7/2003 | Gillingham ..... | D13/184 |

**1 Claim, 4 Drawing Sheets**

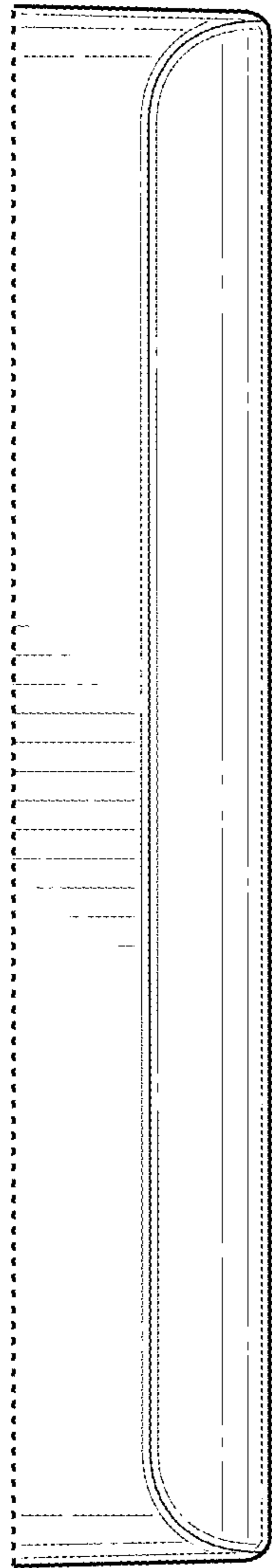




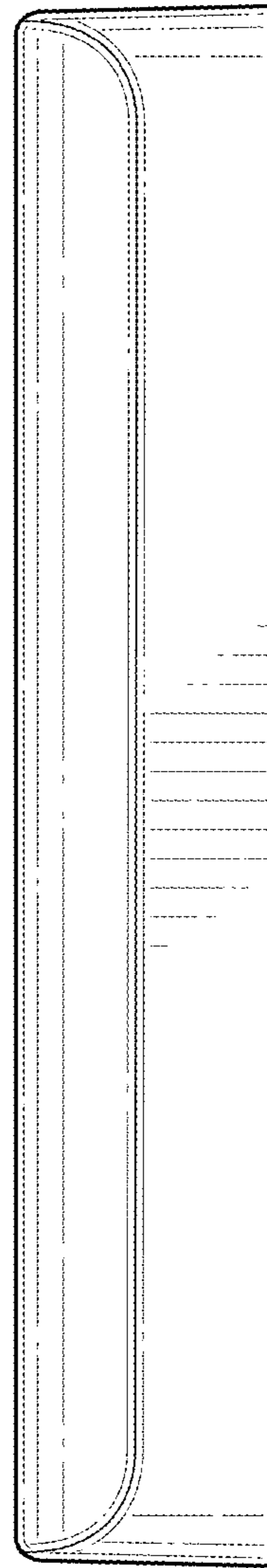
**FIG. 1**



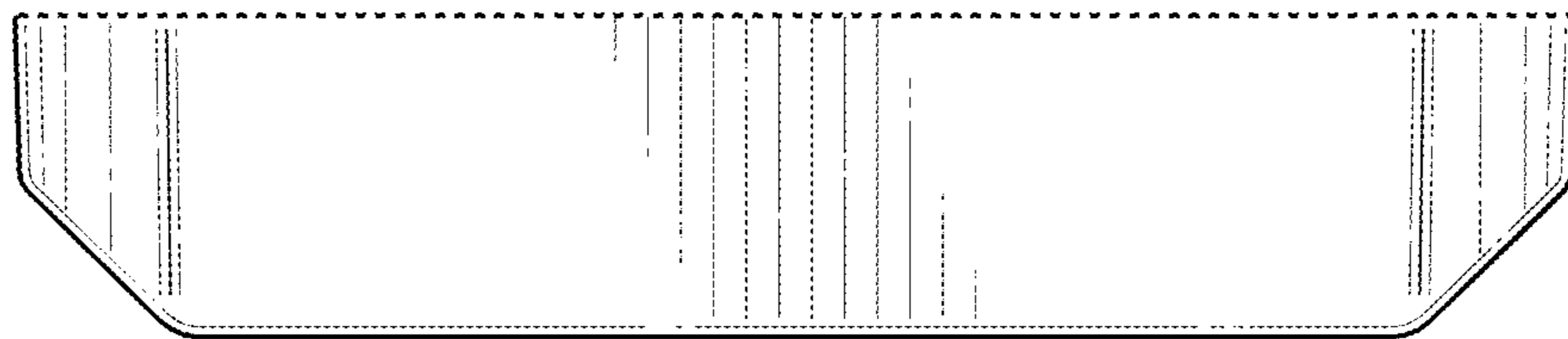
**FIG. 2**



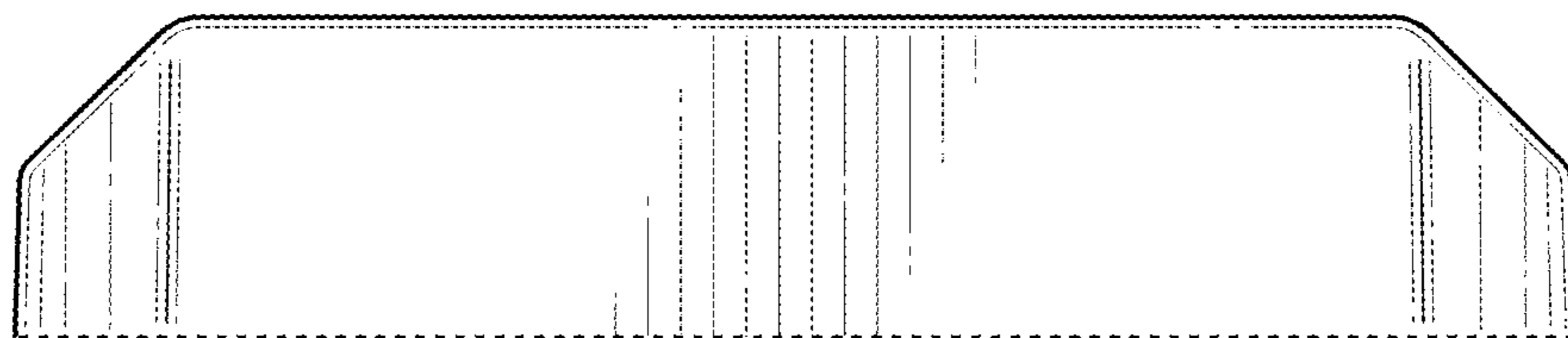
**FIG. 3**



**FIG. 4**



**FIG. 5**



**FIG. 6**