



US00D784331S

(12) **United States Design Patent**
Balch et al.

(10) **Patent No.:** **US D784,331 S**
(45) **Date of Patent:** **** Apr. 18, 2017**

(54) **MONITOR WITH STAND**

(71) Applicant: **Crestron Electronics, Inc.**, Rockleigh, NJ (US)

(72) Inventors: **Howard Balch**, Bloomingdale, NJ (US); **Fred Bargetzi**, Upper Saddle River, NJ (US); **Wendy Feldstein**, Old Tappan, NJ (US); **Dhirendra Patel**, Edison, NJ (US); **Dan Previti**, Tarrytown, NJ (US); **William Rahek**, Oradell, NJ (US); **George Feldstein**, Cresskill, NJ (US)

(**) Term: **15 Years**

(21) Appl. No.: **29/550,918**

(22) Filed: **Jan. 8, 2016**

Related U.S. Application Data

(63) Continuation of application No. 14/802,676, filed on Jul. 17, 2015.

(51) **LOC (10) Cl.** **14-02**

(52) **U.S. Cl.**
USPC **D14/371**

(58) **Field of Classification Search**

USPC D14/371-375, 125-129, 336, 337, 341, D14/239; 341/12; 345/104, 156, 168, 345/173; 348/180, 184, 325, 739; 349/1, 349/2, 11, 62; 361/679.05-679.07, 361/679.21; D6/300, 308; D18/4.1-4.6
CPC G06F 1/16; G06F 1/1601; G06F 3/037; G06F 1/162; G06F 1/1613; G06F 1/133308; G06F 1/1626; F16M 11/02;

F16M 11/10; F16M 11/00; F16M 11/06; F16M 11/18; F16M 11/045; F16M 11/105
See application file for complete search history.

(56) **References Cited**

U.S. PATENT DOCUMENTS

D494,163 S *	8/2004	Ishii	D14/337
7,016,181 B2 *	3/2006	Ito	G06F 1/1626 248/122.1
D660,837 S *	5/2012	Libman	D14/336
D714,289 S *	9/2014	Shoda	D14/371
D744,479 S *	12/2015	Haller	D14/336
D746,292 S *	12/2015	Heckler	D14/447

* cited by examiner

Primary Examiner — Freda S Nunn

(74) *Attorney, Agent, or Firm* — Crestron Electronics, Inc

(57) **CLAIM**

The ornamental design for a monitor with stand, as shown and described.

DESCRIPTION

FIG. 1 is a front perspective view of a monitor with stand showing our new design;

FIG. 2 is a rear perspective view thereof;

FIG. 3 is a front elevation view thereof;

FIG. 4 is a back elevation view thereof;

FIG. 5 is a left side elevation view thereof;

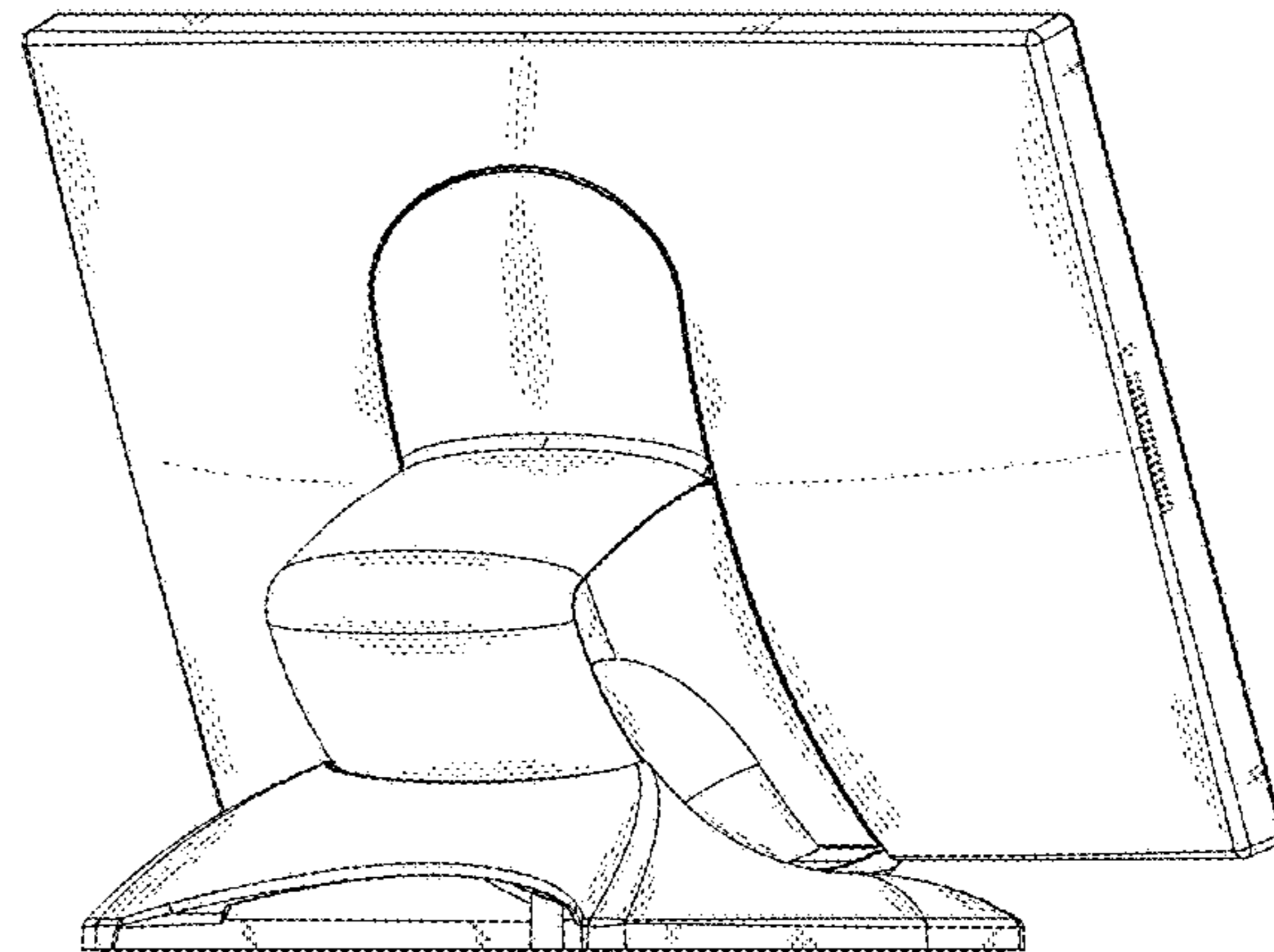
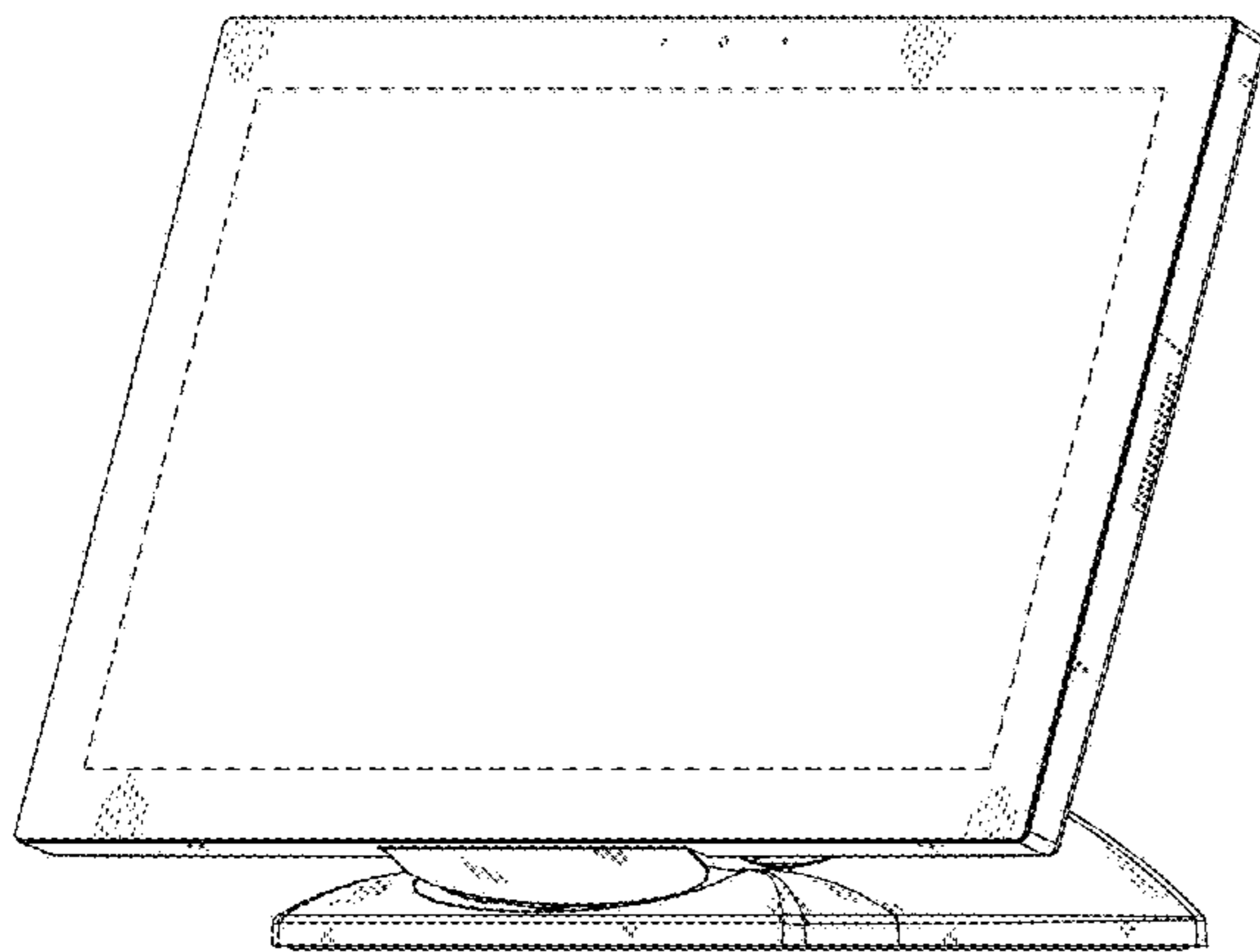
FIG. 6 is a right side elevation view thereof;

FIG. 7 is a top plan view thereof; and,

FIG. 8 is a bottom plan view thereof.

The portions shown in broken lines form no part of the claimed design.

1 Claim, 8 Drawing Sheets



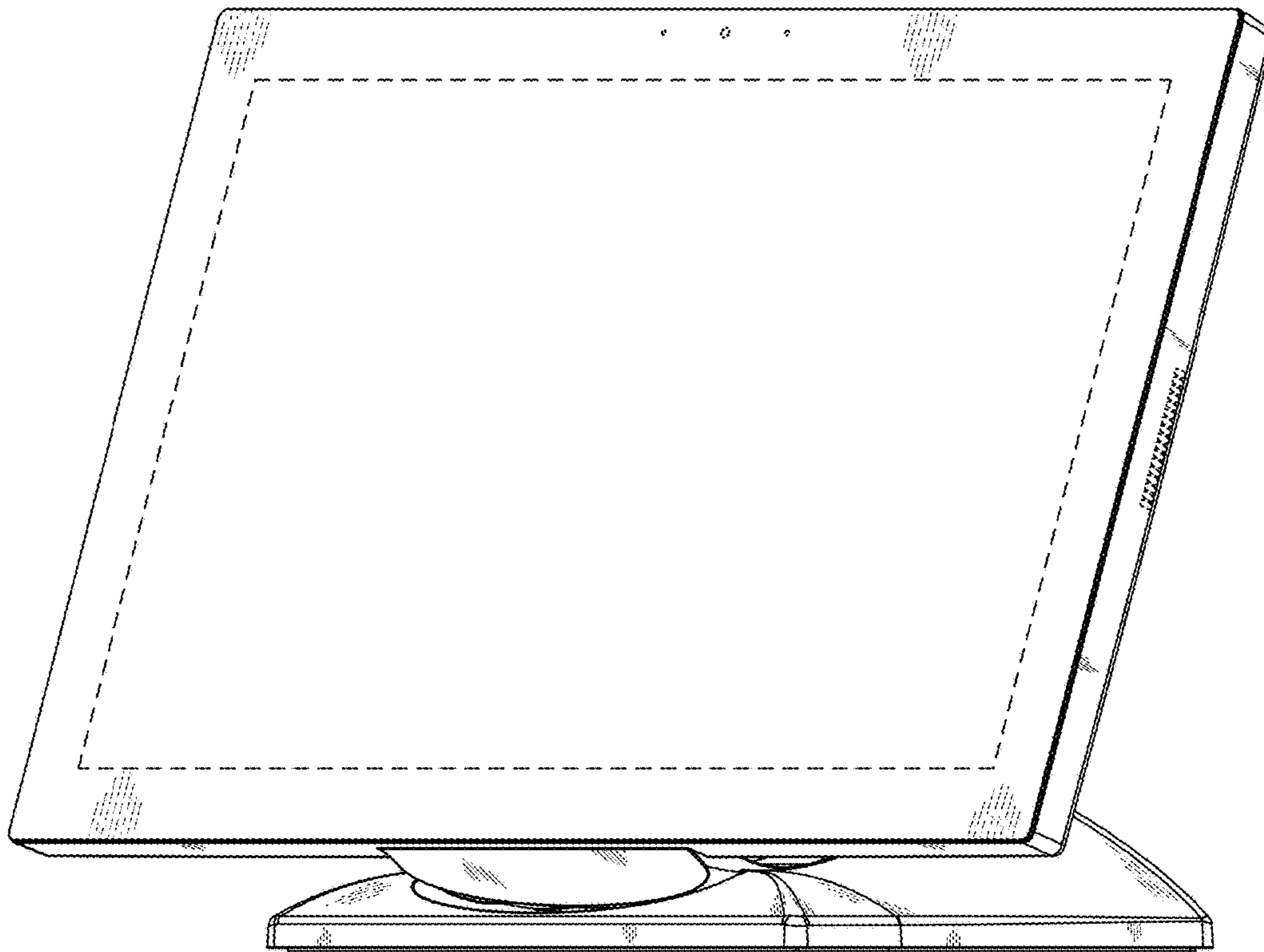


FIG. 1

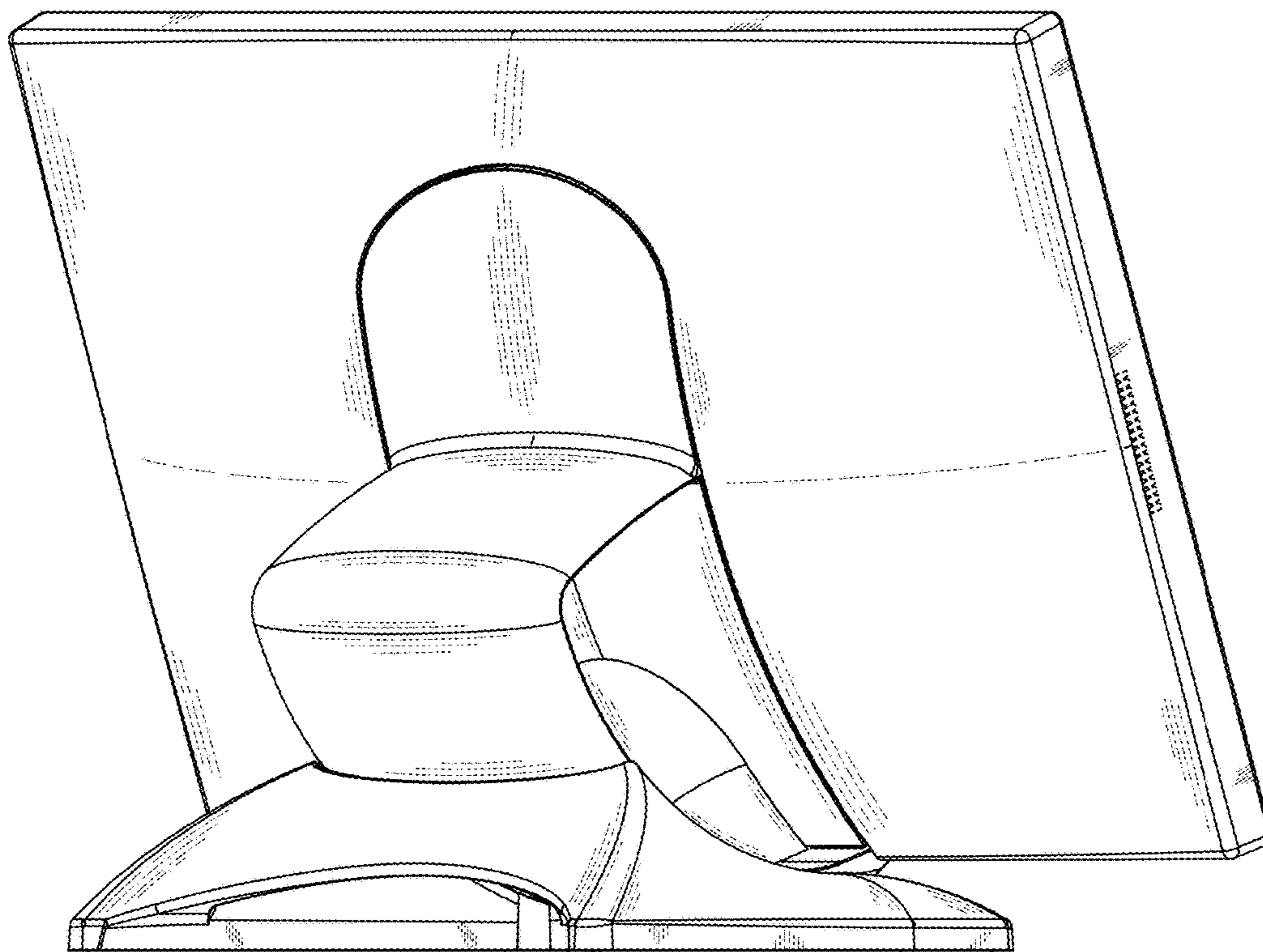


FIG. 2

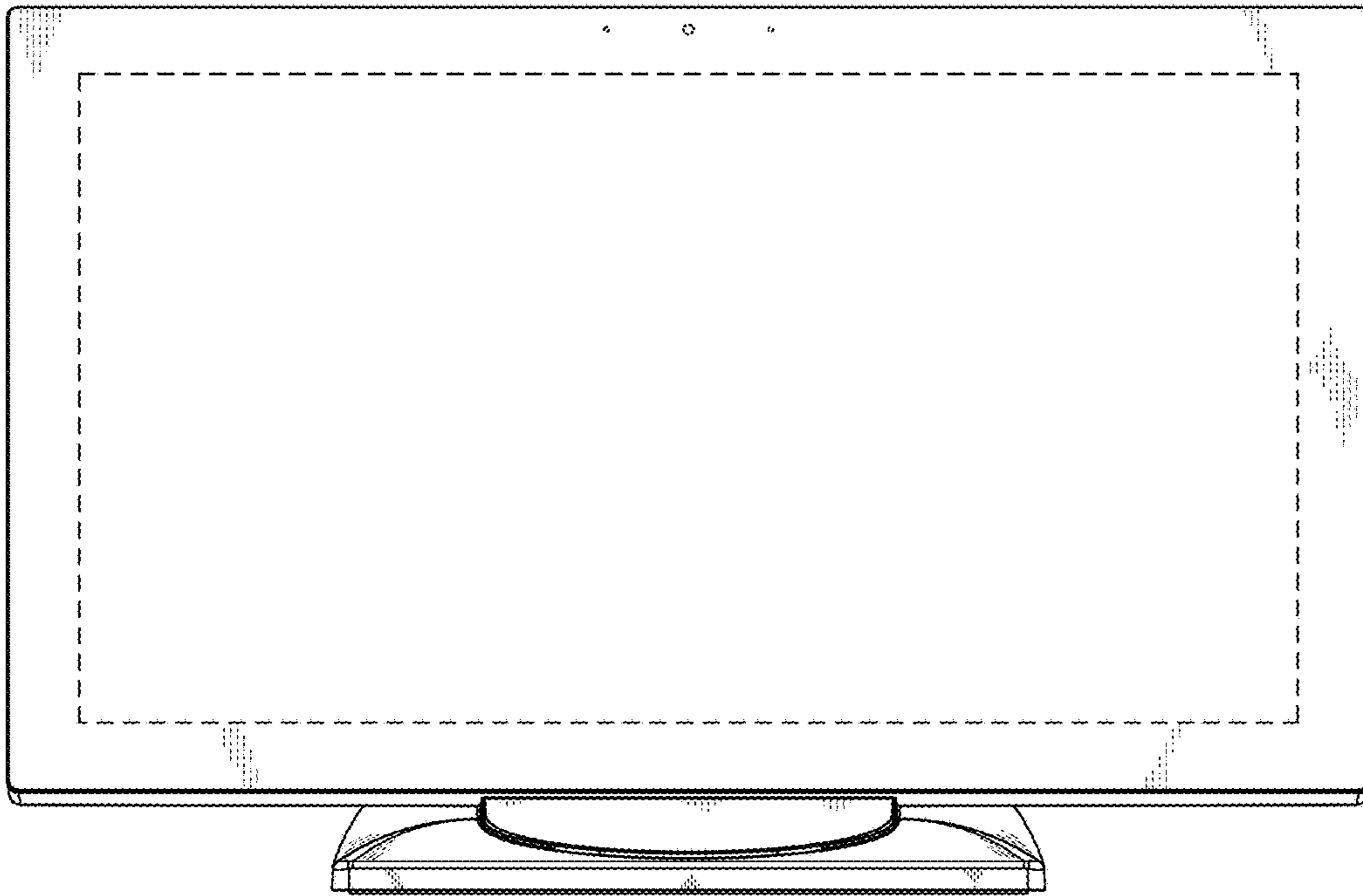


FIG. 3

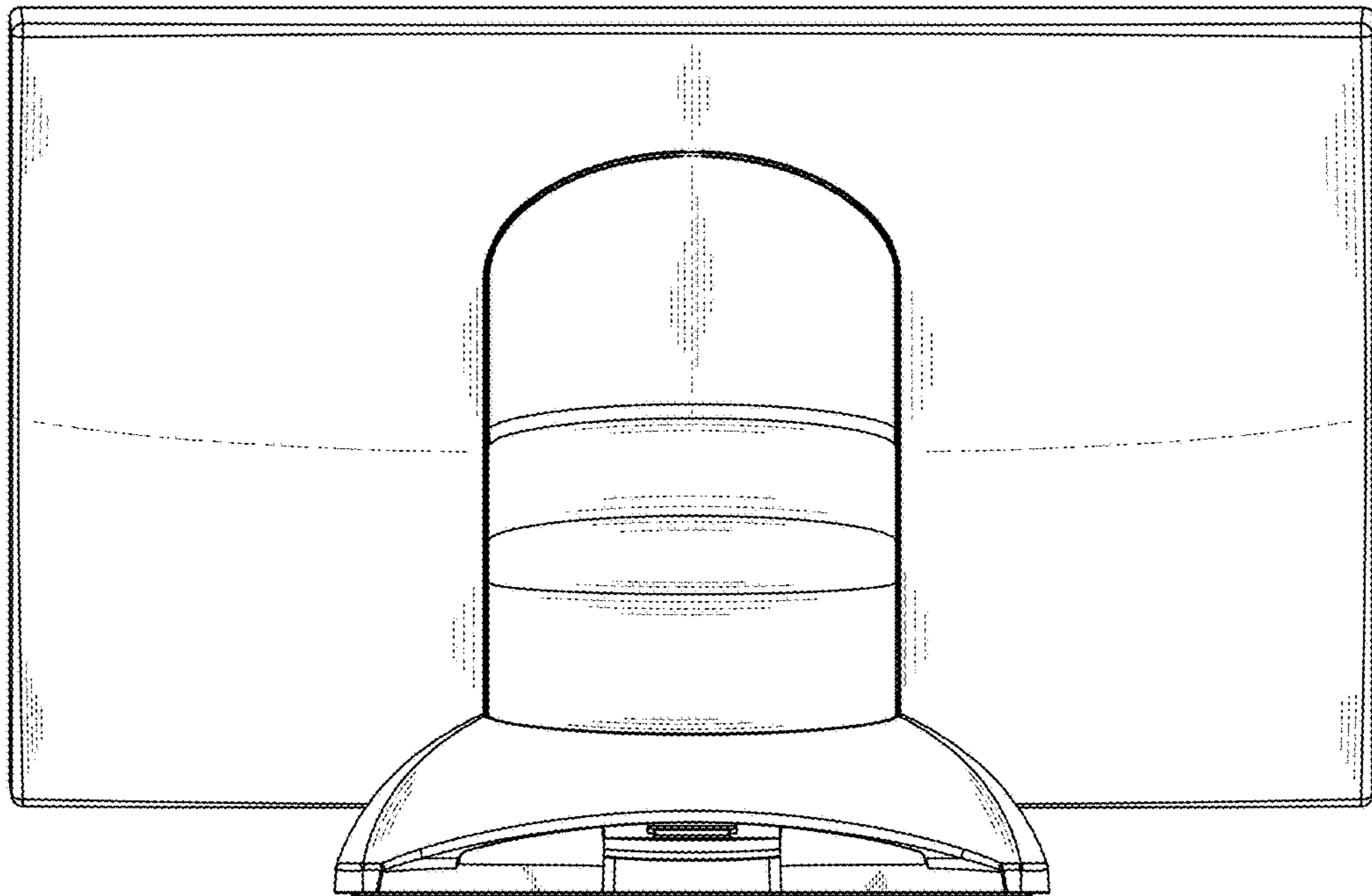


FIG. 4

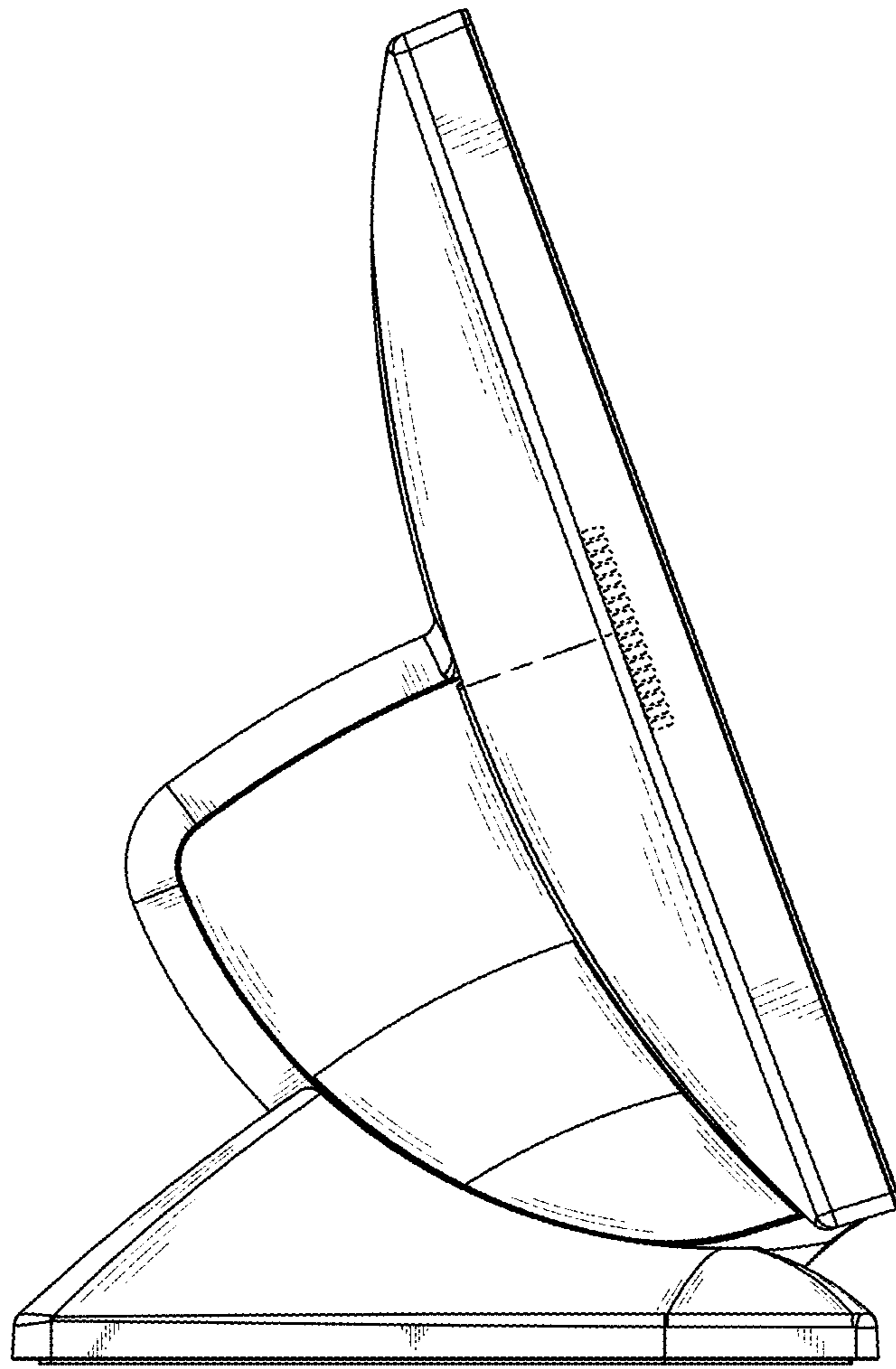


FIG. 5

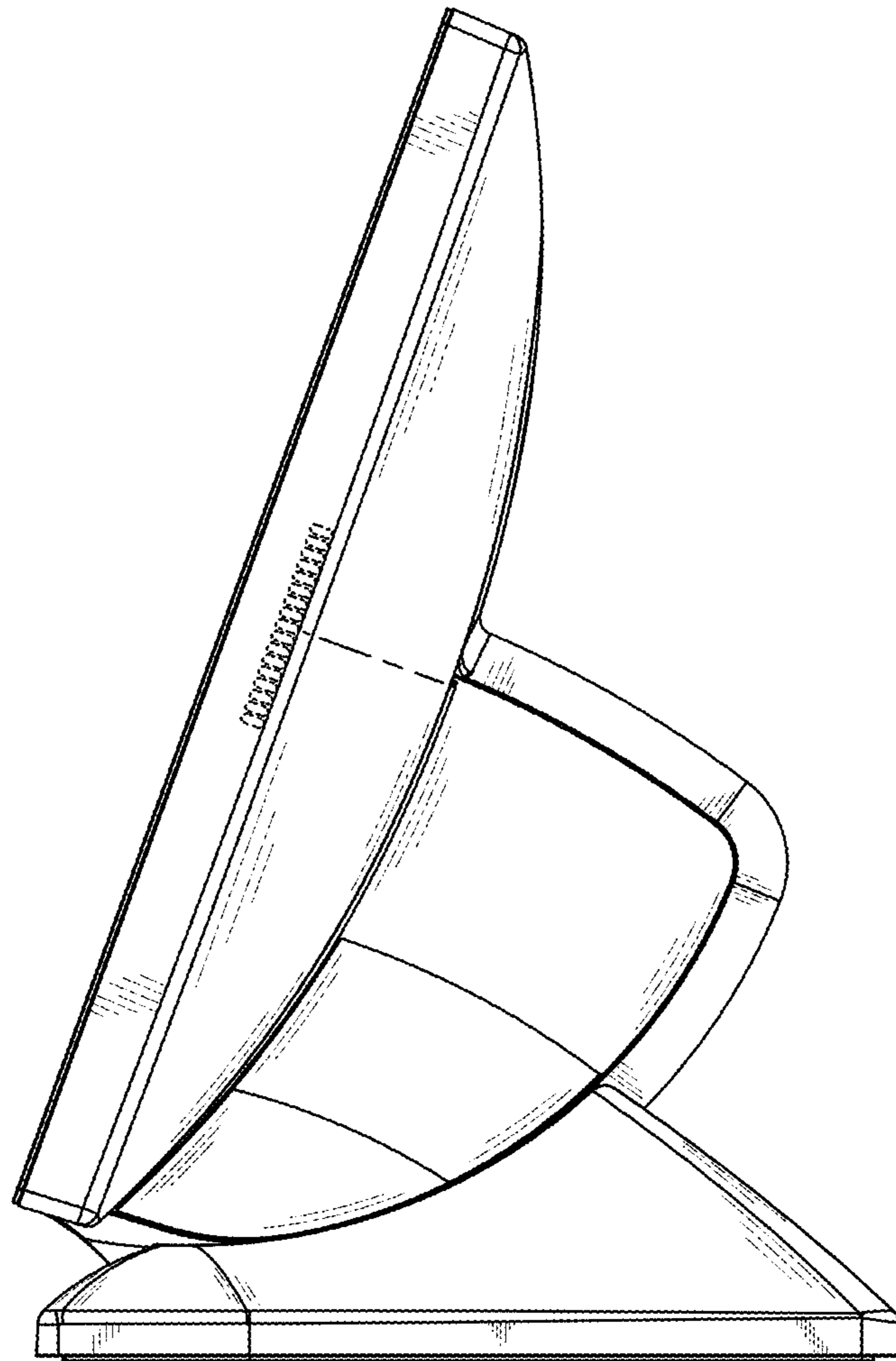


FIG. 6

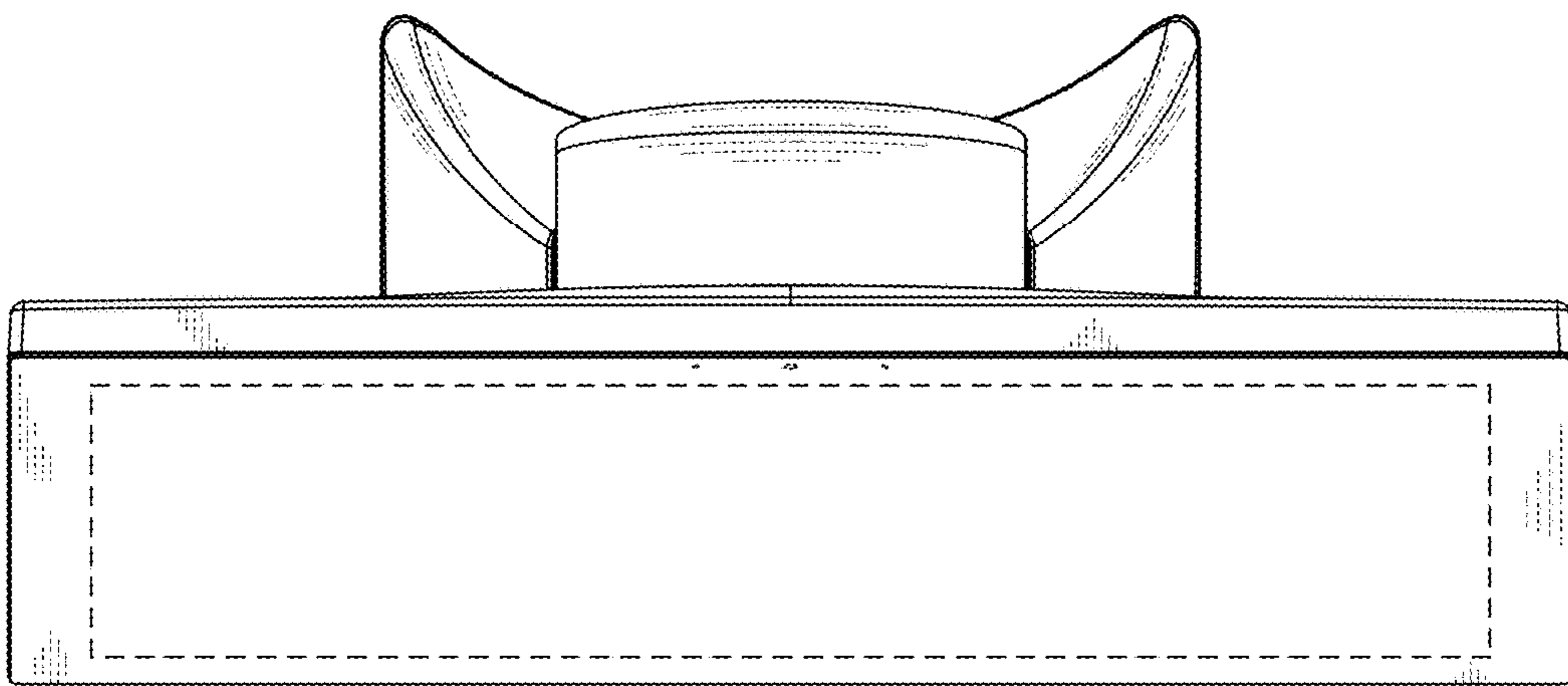


FIG. 7

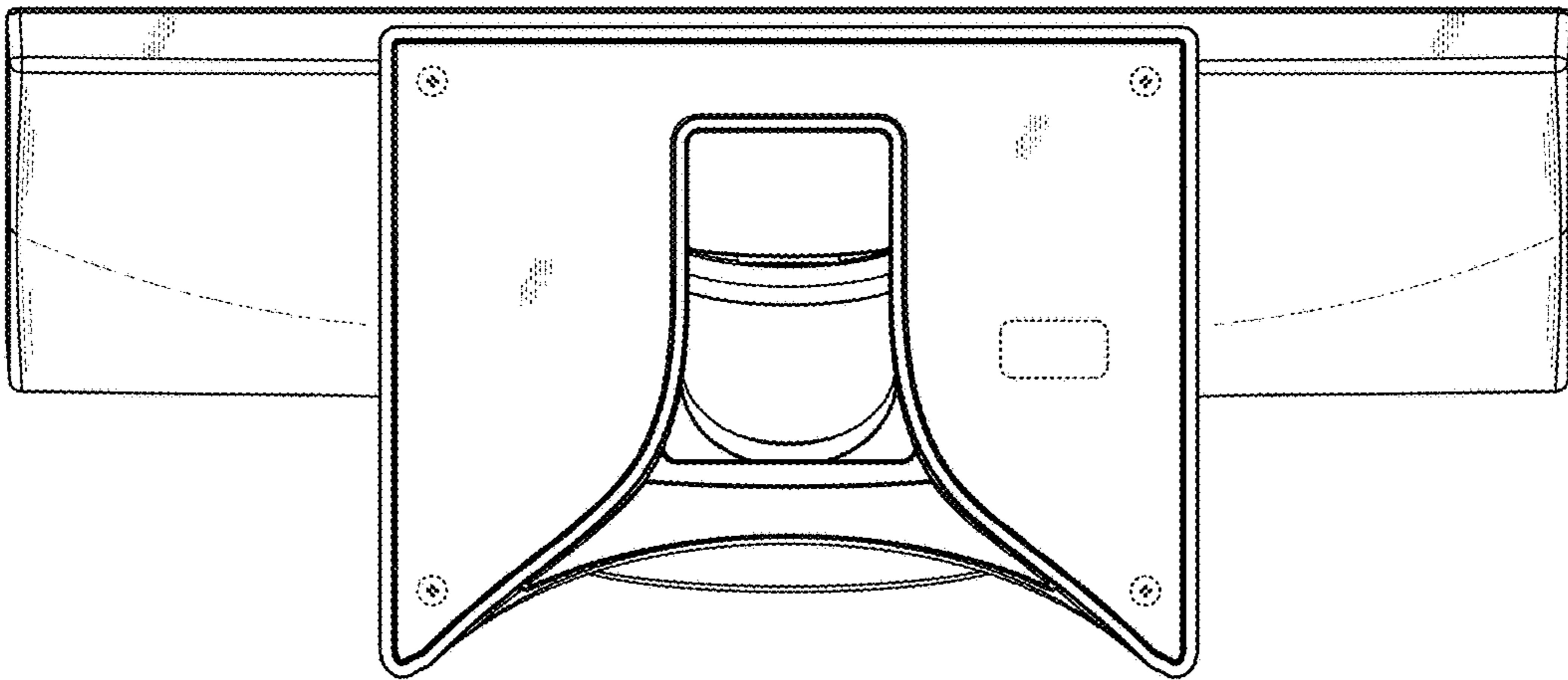


FIG. 8