



US00D784328S

(12) **United States Design Patent**
Zhou

(10) **Patent No.:** **US D784,328 S**

(45) **Date of Patent:** **** Apr. 18, 2017**

(54) **ROUTER**

(71) Applicant: **Xiang Zhou**, Guangdong (CN)

(72) Inventor: **Xiang Zhou**, Guangdong (CN)

(**) Term: **15 Years**

(21) Appl. No.: **29/553,337**

(22) Filed: **Feb. 1, 2016**

(51) **LOC (10) Cl.** **14-02**

(52) **U.S. Cl.**
USPC **D14/358**; D14/240

(58) **Field of Classification Search**
USPC D14/125, 138 C, 138 R, 140.1, 155, 159,
D14/167, 230, 231, 232, 233, 234, 235,
D14/236, 237, 238, 240, 242, 243, 299,
D14/348, 349, 351, 353, 354, 355, 356,
D14/357, 358, 367, 385, 433, 435, 436,
D14/474, 480, 496; D13/123, 184;
D10/75, 104.1

See application file for complete search history.

(56) **References Cited**

U.S. PATENT DOCUMENTS

D289,648 S *	5/1987	Felix	D14/242
D331,394 S *	12/1992	Kobayashi	D14/242
D437,311 S *	2/2001	Nam	D14/227
D488,150 S *	4/2004	Chen	D14/242
D529,903 S *	10/2006	McRae	D14/240

D580,422 S *	11/2008	Lee	D14/240
D597,087 S *	7/2009	Herbst	D14/240
D766,223 S *	9/2016	Chen	D14/240

OTHER PUBLICATIONS

Afoundry Best Wireless Router found online [Oct. 6, 2016]—<http://www.reviewwirelessrouters.com/review-afoundry-best-wireless-router-fastest-high-speed/>.*

* cited by examiner

Primary Examiner — Robert M Spear

Assistant Examiner — John Voytek

(57) **CLAIM**

The ornamental design for a router, as shown and described.

DESCRIPTION

FIG. 1 is a front elevational view of a router showing my new design;

FIG. 2 is a rear elevational view thereof;

FIG. 3 is a left side view thereof;

FIG. 4 is a right side view thereof;

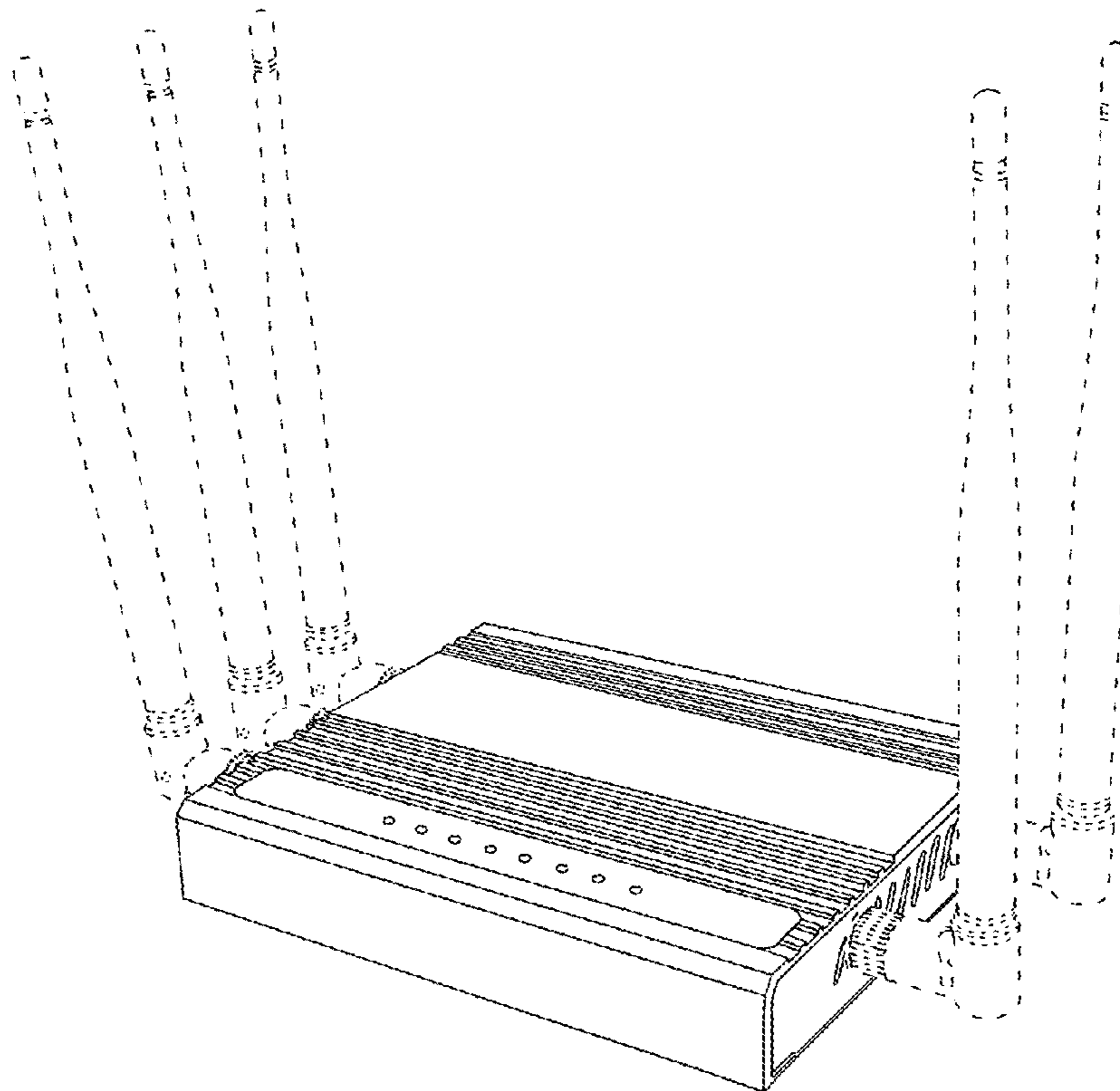
FIG. 5 is a top plan view thereof;

FIG. 6 is a bottom plan view thereof; and,

FIG. 7 is a perspective view thereof.

The broken lines shown in FIG. 7 form no part of the claimed design.

1 Claim, 4 Drawing Sheets



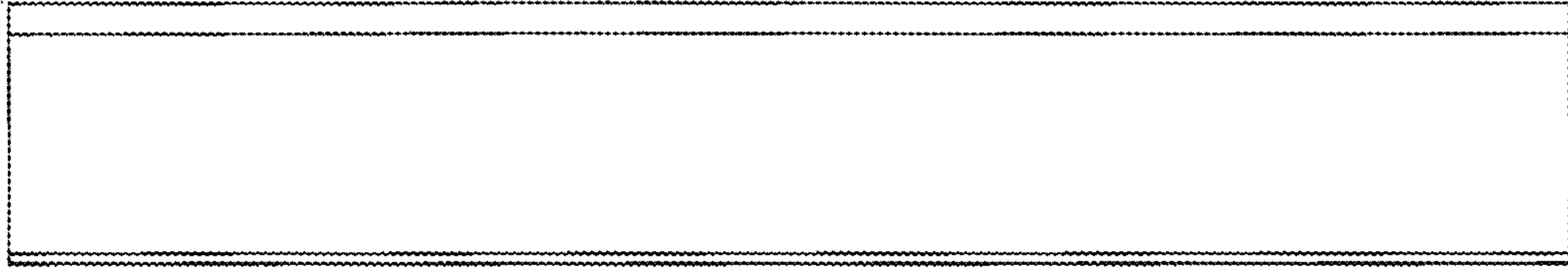


FIG. 1

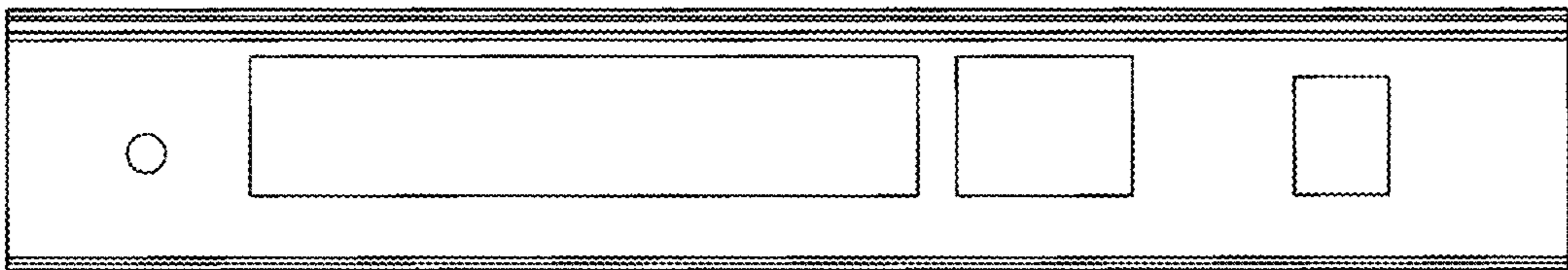


FIG. 2

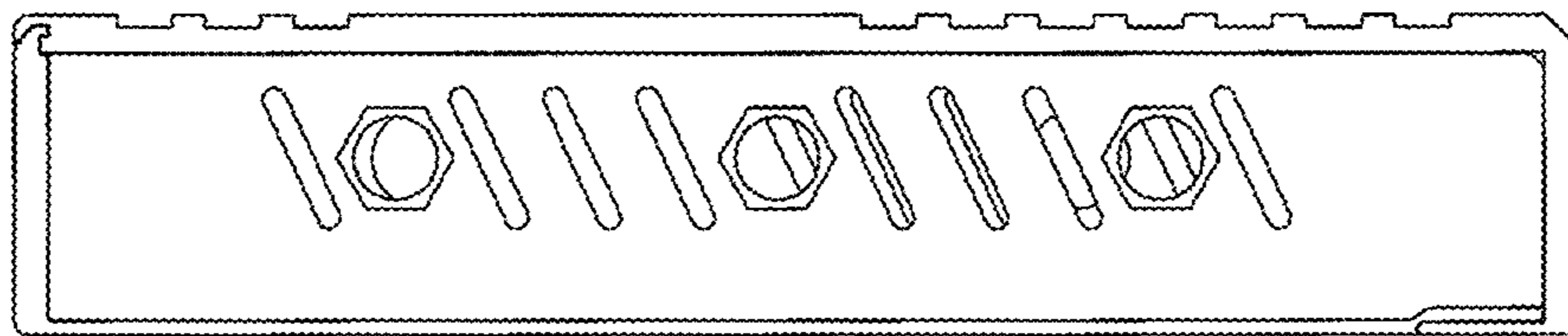


FIG. 3

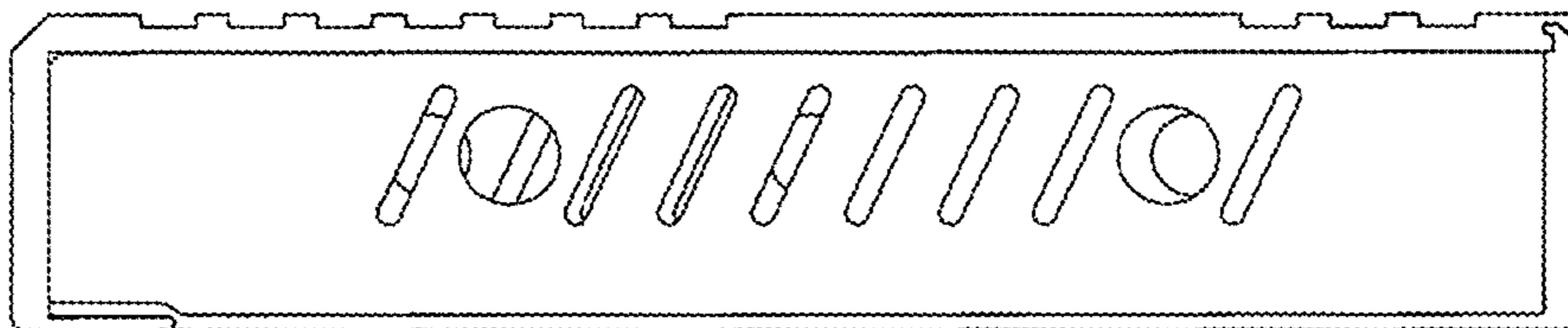


FIG. 4

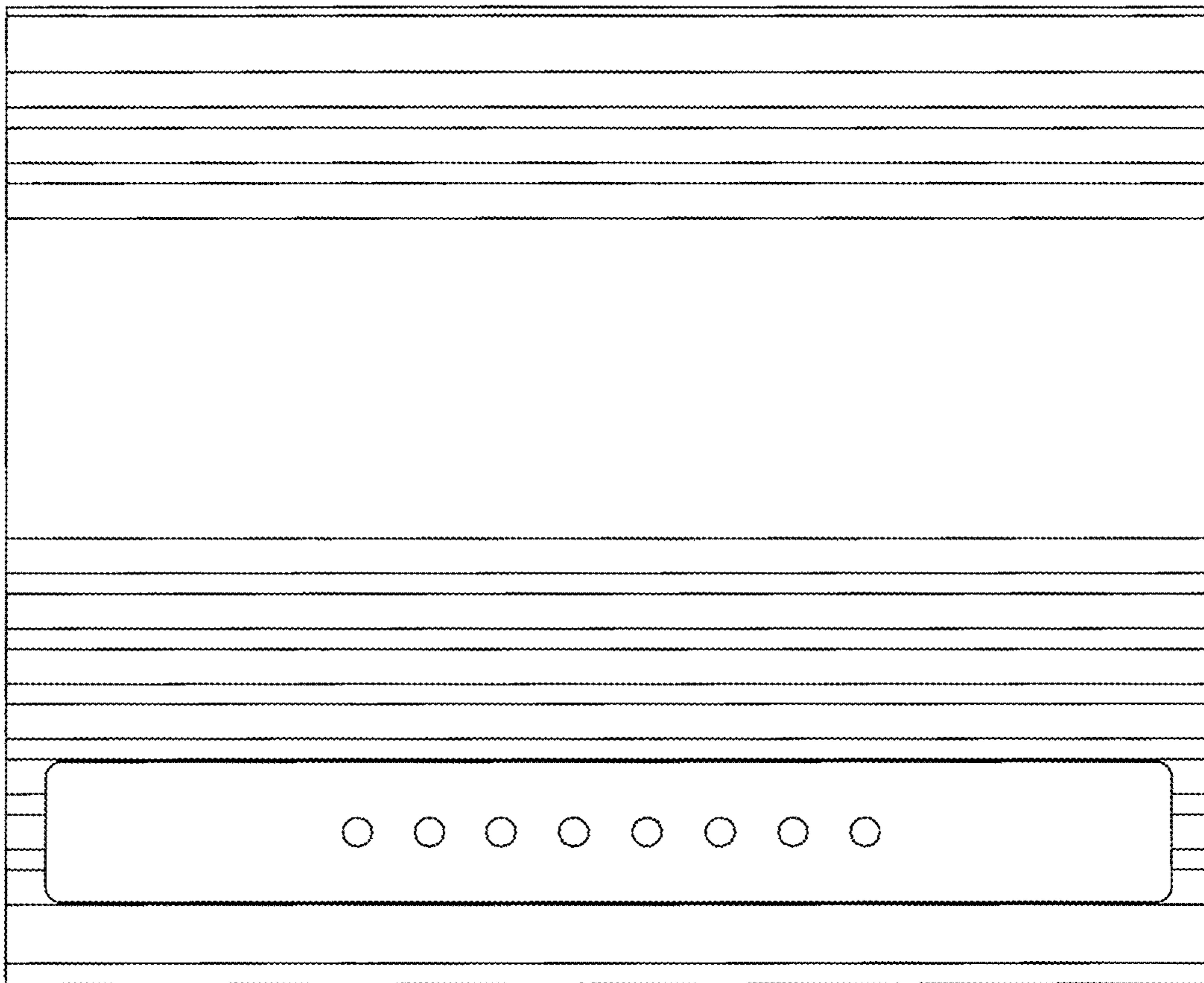


FIG. 5

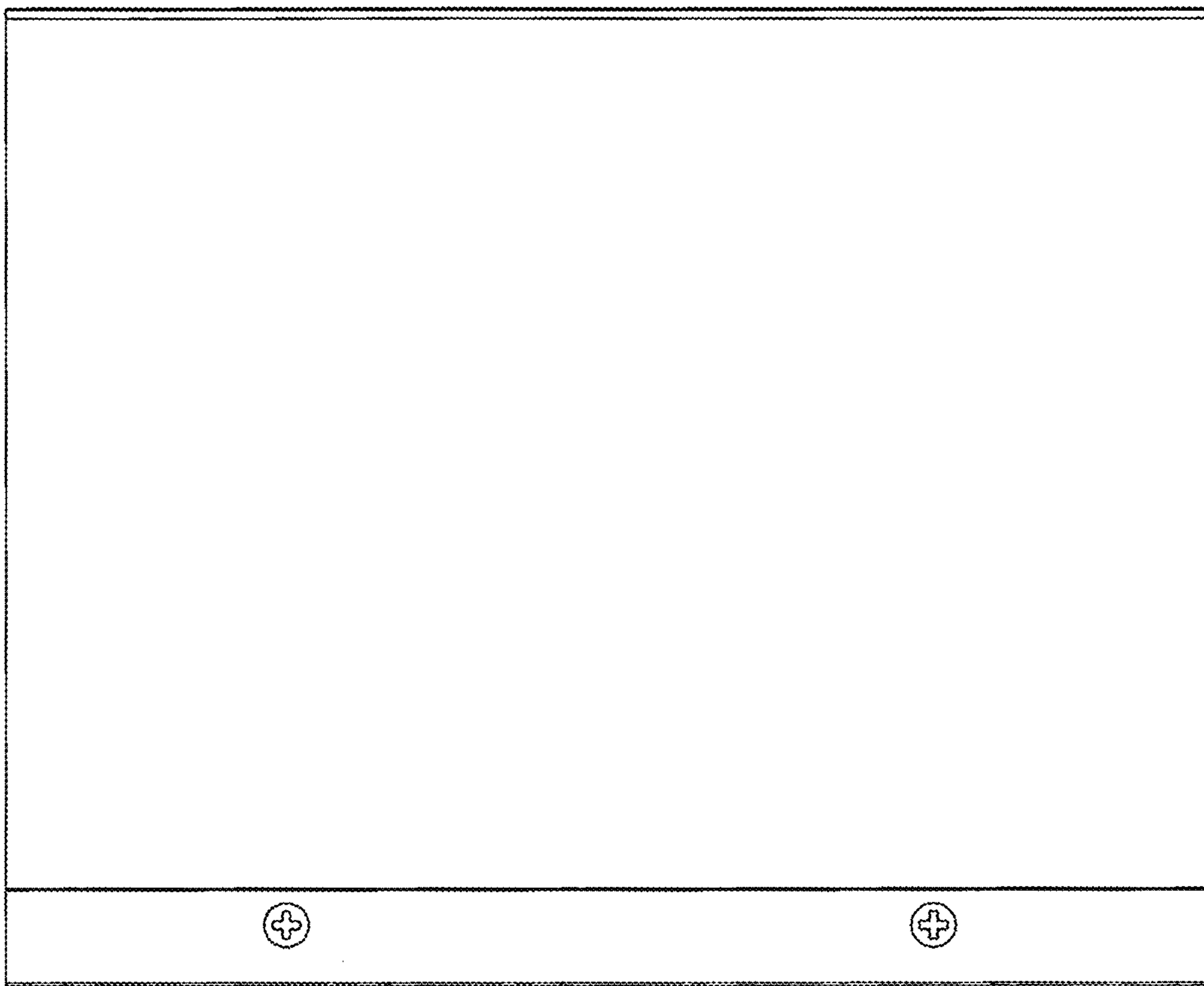


FIG. 6

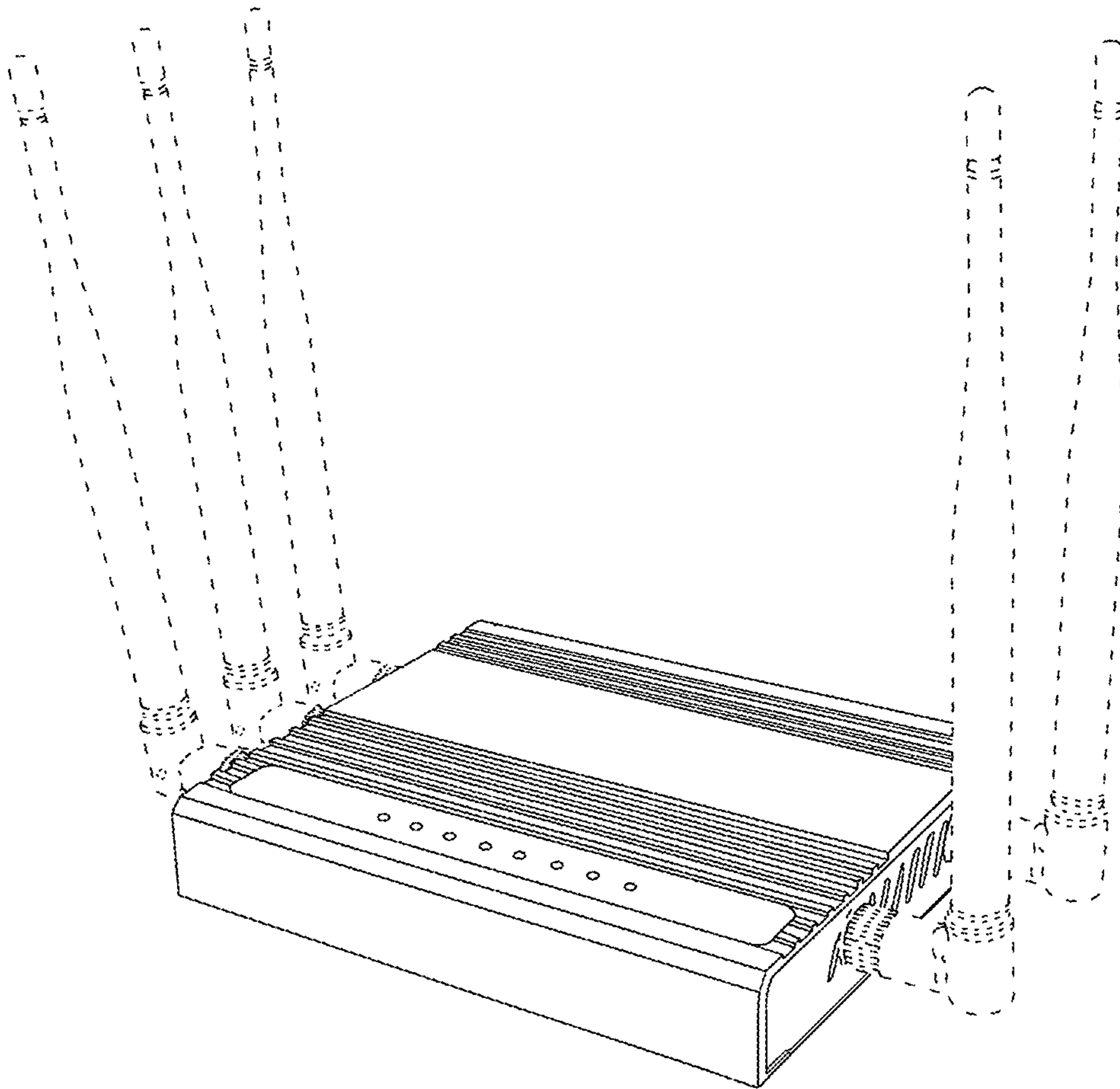


FIG. 7