



US00D784321S

(12) **United States Design Patent**
Eder

(10) **Patent No.:** **US D784,321 S**
(45) **Date of Patent:** **** Apr. 18, 2017**

- (54) **VISUAL COORDINATION DEVICE**
- (71) Applicant: **IncludeFitness, Inc.**, Columbus, OH (US)
- (72) Inventor: **J. Ryan Eder**, Columbus, OH (US)
- (73) Assignee: **Include Fitness, Inc.**, Columbus, OH (US)
- (**) Term: **15 Years**
- (21) Appl. No.: **29/548,050**
- (22) Filed: **Dec. 10, 2015**
- (51) **LOC (10) Cl.** **14-01**
- (52) **U.S. Cl.**
USPC **D14/307**; D14/299; D24/172
- (58) **Field of Classification Search**
USPC D14/307, 305, 302, 308, 299, 900, 374;
D24/172, 186, 187, 232, 165, 175;
D20/10, 19, 41, 42; D99/28; D19/60, 61;
D15/199; D26/1, 71, 139; D10/46,
D10/109.1, 109.2, 114.1; 40/124.5, 541;
362/249.06
CPC ... G09F 3/04; G09F 7/20; F21V 33/00; H05B
37/02
See application file for complete search history.

- 3,508,896 A * 4/1970 Turner G02B 6/06
216/66
- 3,517,245 A * 6/1970 Stone H05B 33/04
313/510
- 3,545,110 A * 12/1970 Coolbaugh B60Q 3/044
313/510
- 3,962,702 A * 6/1976 Kriege G02B 6/4203
340/815.43
- 4,007,552 A * 2/1977 Brooks G09F 13/0413
40/572
- 4,308,572 A * 12/1981 Davidson A41D 27/085
36/137
- 4,322,905 A * 4/1982 Kruse G09F 21/02
190/1
- D285,456 S * 9/1986 Wiens D20/39
- 4,777,750 A * 10/1988 Garfinkle G09F 1/12
40/607.04
- D305,122 S * 12/1989 Swartz D14/257
- D305,647 S * 1/1990 Kato D14/374
- D312,664 S * 12/1990 Kaut D20/10
- D332,833 S * 1/1993 Lauks D10/78

(Continued)

Primary Examiner — Paula Greene
(74) *Attorney, Agent, or Firm* — Jason H. Foster;
Kremblas & Foster

(57) **CLAIM**

The ornamental design for a visual coordination device, substantially as shown.

DESCRIPTION

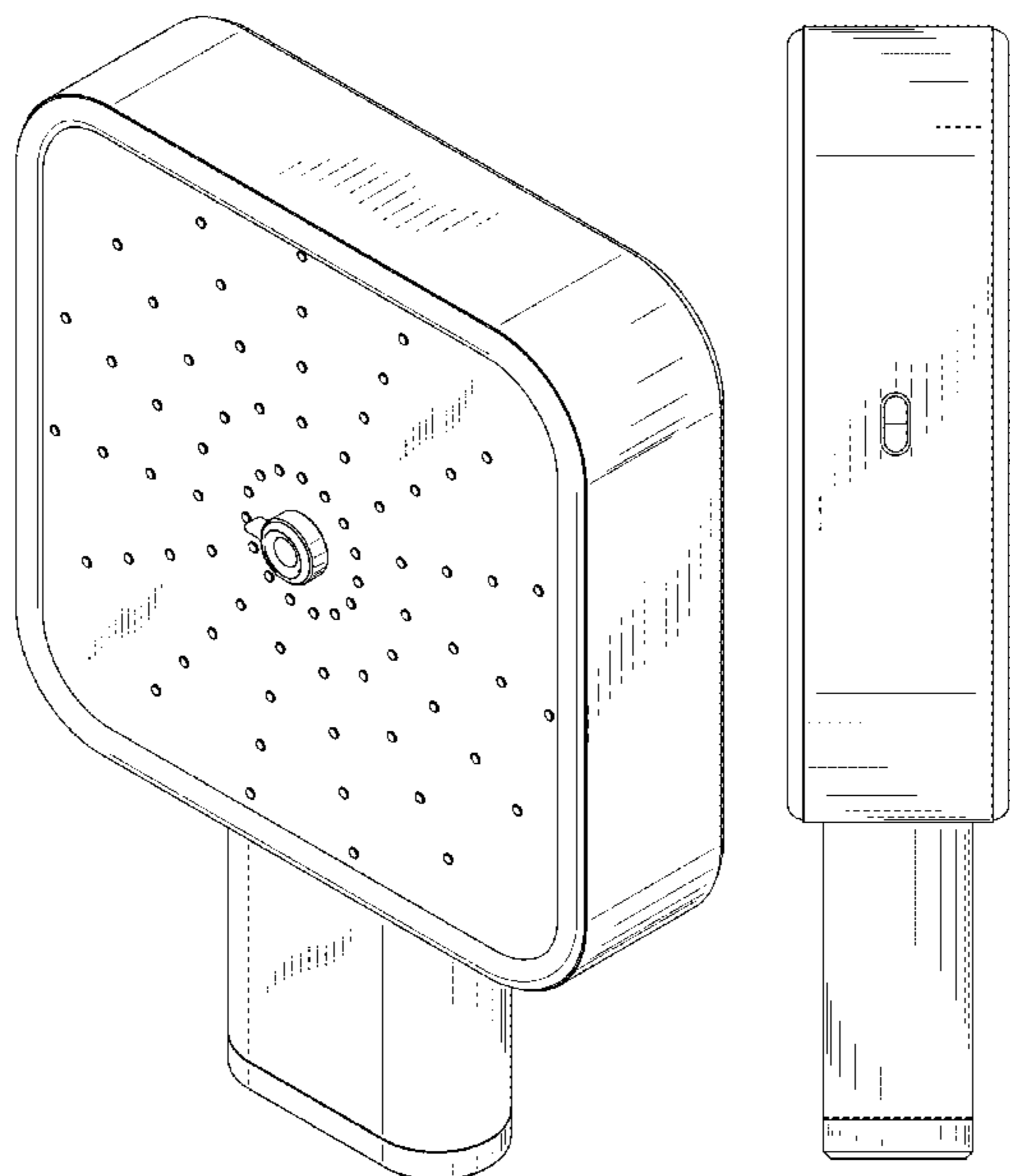
FIG. 1 is a front perspective view of a visual coordination device showing my new design;
FIG. 2 is a front view thereof;
FIG. 3 is a rear view thereof;
FIG. 4 is a right side view thereof;
FIG. 5 is a left side view thereof;
FIG. 6 is a top view thereof; and,
FIG. 7 is a bottom view thereof.

1 Claim, 6 Drawing Sheets

(56) **References Cited**

U.S. PATENT DOCUMENTS

- 1,810,264 A * 6/1931 Bonitz G09F 25/00
40/455
- 1,845,530 A * 2/1932 Tarallo G09F 13/06
40/452
- D180,756 S * 8/1957 Winger D20/41
- 3,011,394 A * 12/1961 Sherman A61B 3/02
351/239
- D215,713 S * 10/1969 Jarl D10/46



(56)

References Cited

U.S. PATENT DOCUMENTS

5,283,595 A * 2/1994 Krukovsky G09F 7/20
 345/2.3
 5,428,365 A * 6/1995 Harris G02B 6/0008
 340/815.42
 D360,740 S * 7/1995 Ragan D99/28
 5,516,387 A * 5/1996 Hoffman B60Q 1/503
 156/100
 D388,123 S * 12/1997 Sukumoda D20/10
 D396,812 S * 8/1998 Kuipers D10/46
 D401,973 S * 12/1998 Isshiki et al. D20/10
 5,900,850 A * 5/1999 Bailey G09F 9/33
 340/815.83
 6,013,346 A * 1/2000 Lewis A44C 15/0015
 156/250
 D456,079 S * 4/2002 Fujii D24/172
 D478,017 S * 8/2003 Chen D10/46
 D478,582 S * 8/2003 Becker D14/302
 D479,805 S * 9/2003 Tsai D10/46
 D491,180 S * 6/2004 Hsu Li D14/371
 D585,943 S * 2/2009 Pymm D20/10
 D597,764 S * 8/2009 Topcuoglu D20/10

D598,053 S * 8/2009 Sanchez D14/159
 D614,318 S * 4/2010 Lodhie D26/1
 D638,128 S * 5/2011 Prokop D24/172
 D661,745 S * 6/2012 Podd D20/42
 D695,285 S * 12/2013 Smith D14/307
 D762,863 S * 8/2016 Kim D24/186
 2001/0018809 A1 * 9/2001 Heropoulos G06F 1/1601
 40/544
 2003/0058372 A1 * 3/2003 Williams F16M 11/18
 348/836
 2003/0089010 A1 * 5/2003 Wechter G09F 25/00
 40/584
 2004/0125591 A1 * 7/2004 Leu G02B 6/0061
 362/613
 2004/0139637 A1 * 7/2004 Lee G02B 6/0031
 40/564
 2005/0040742 A1 * 2/2005 Tsai A47B 87/0276
 312/257.1
 2009/0185374 A1 * 7/2009 Wu F21S 8/086
 362/249.06
 2011/0131849 A1 * 6/2011 Sato G02B 6/0061
 40/564

* cited by examiner

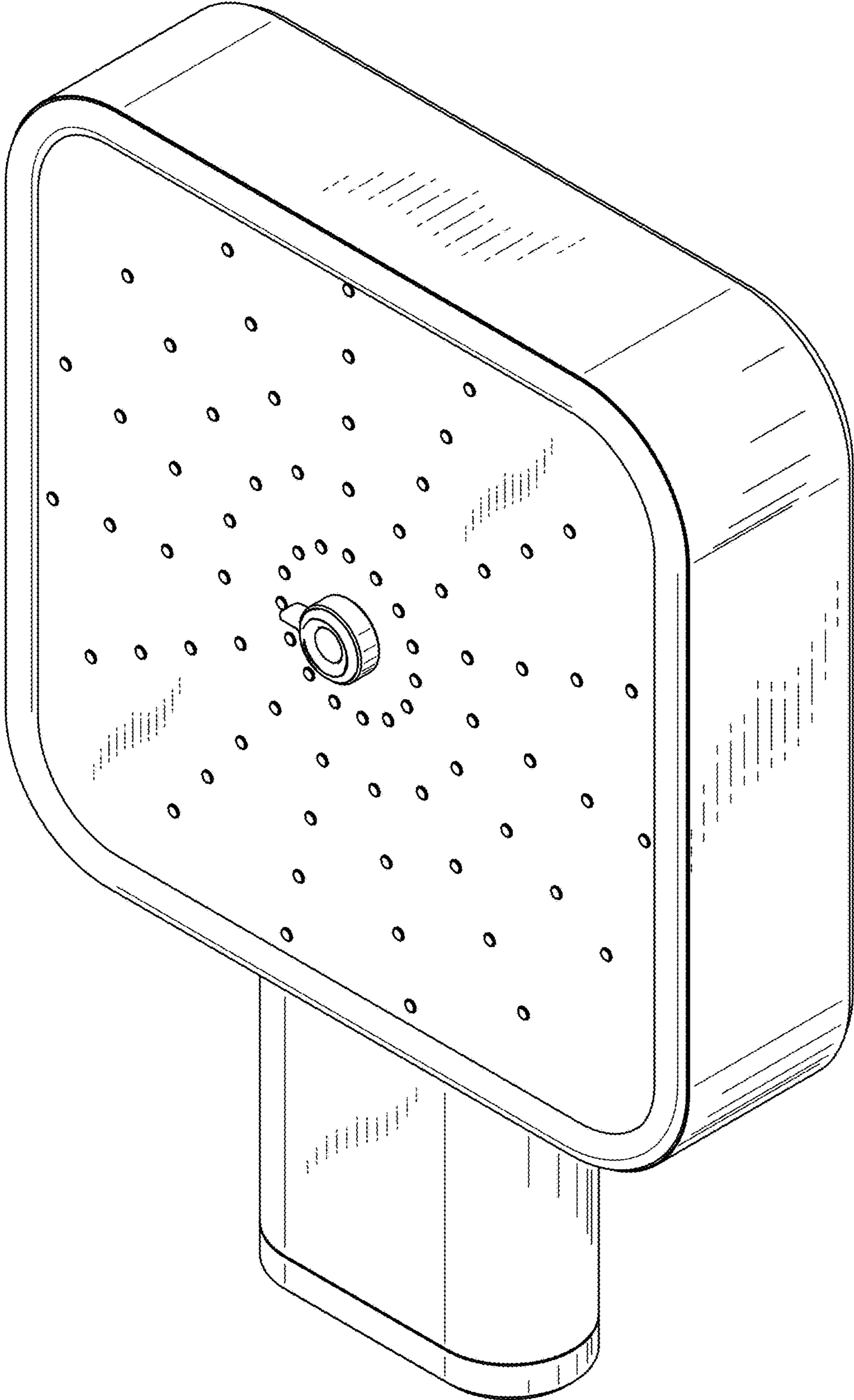


Fig. 1

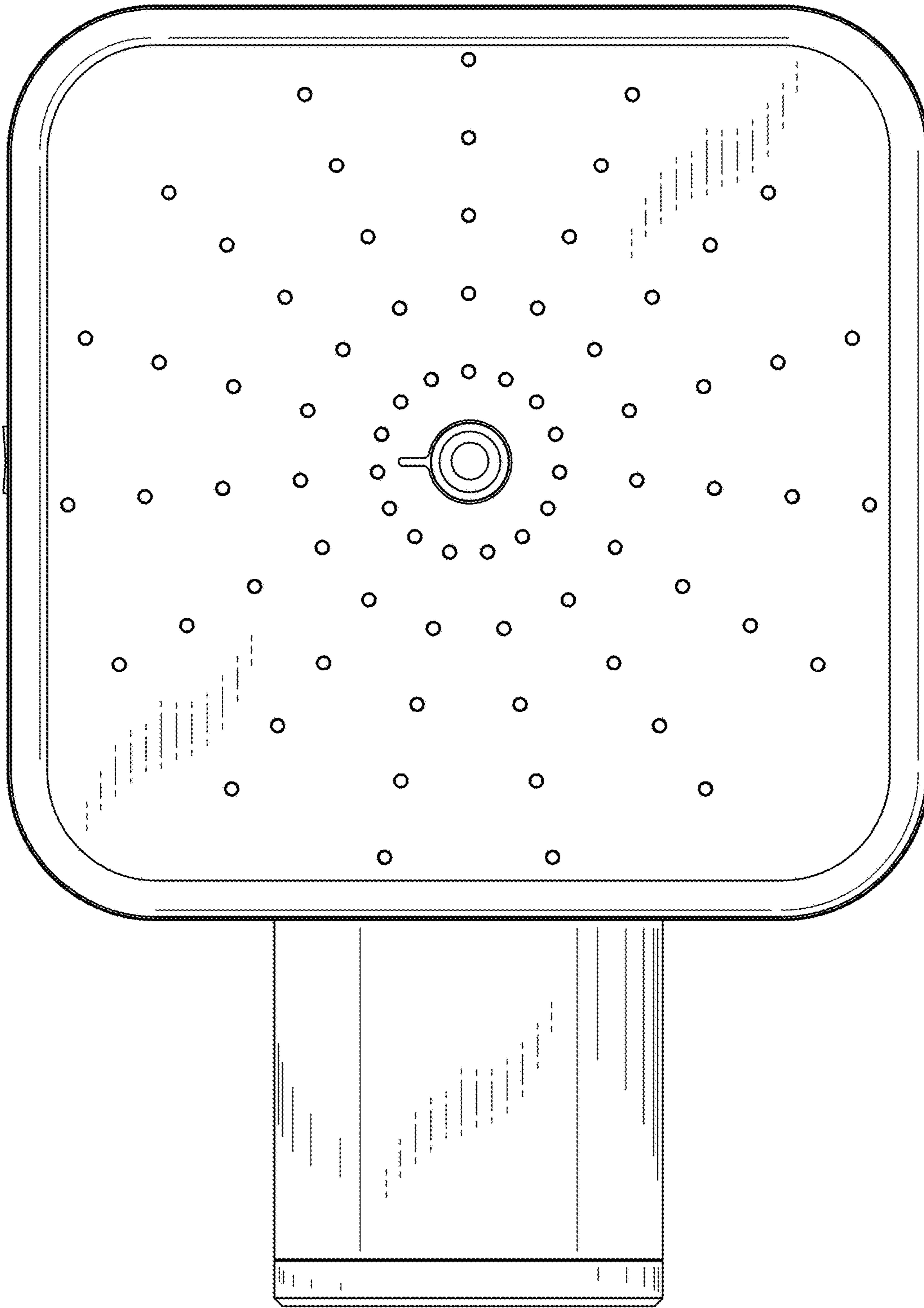


Fig. 2

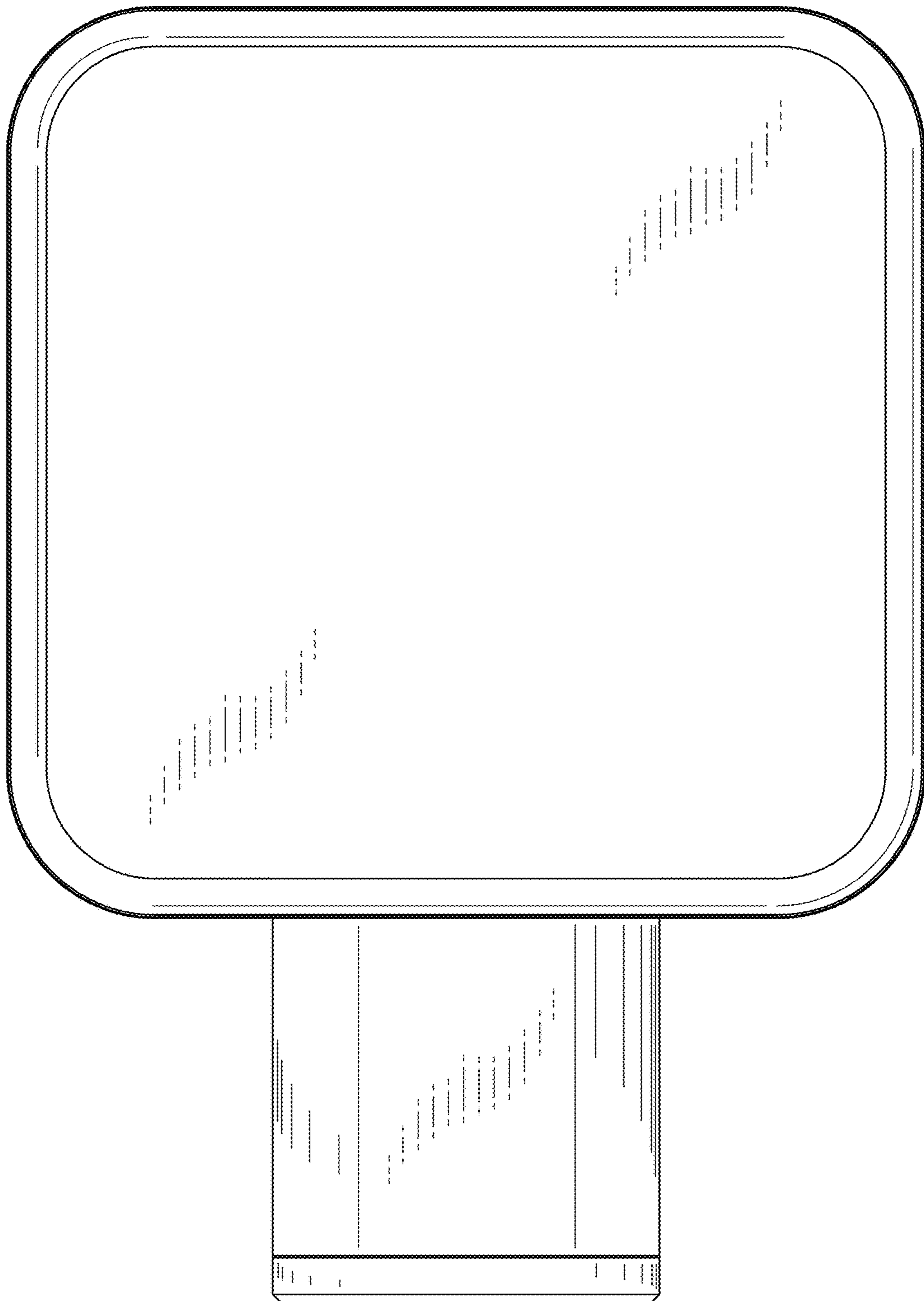


Fig. 3

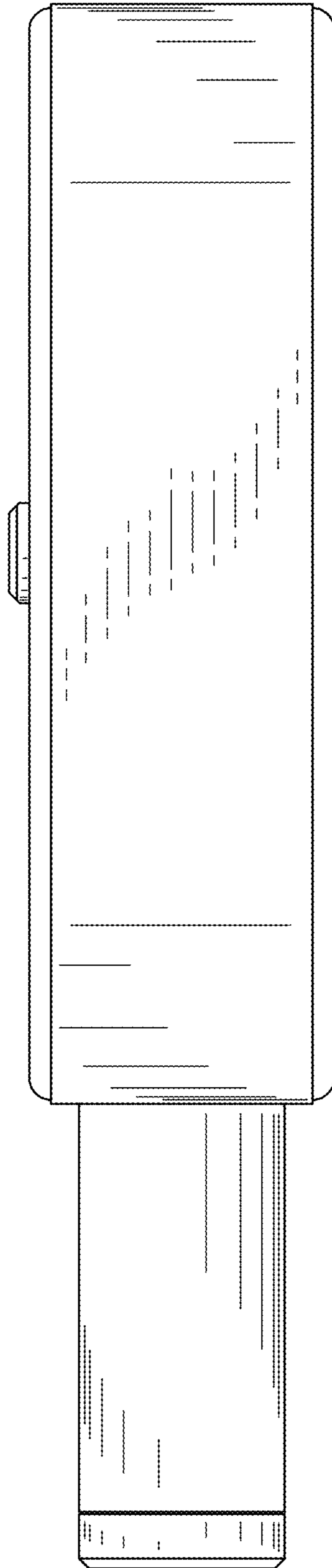


Fig. 4

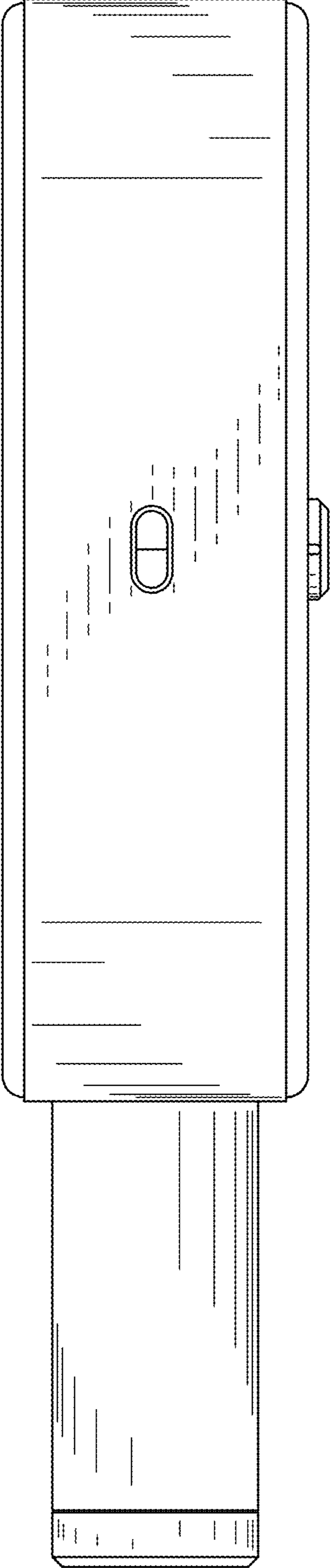


Fig. 5

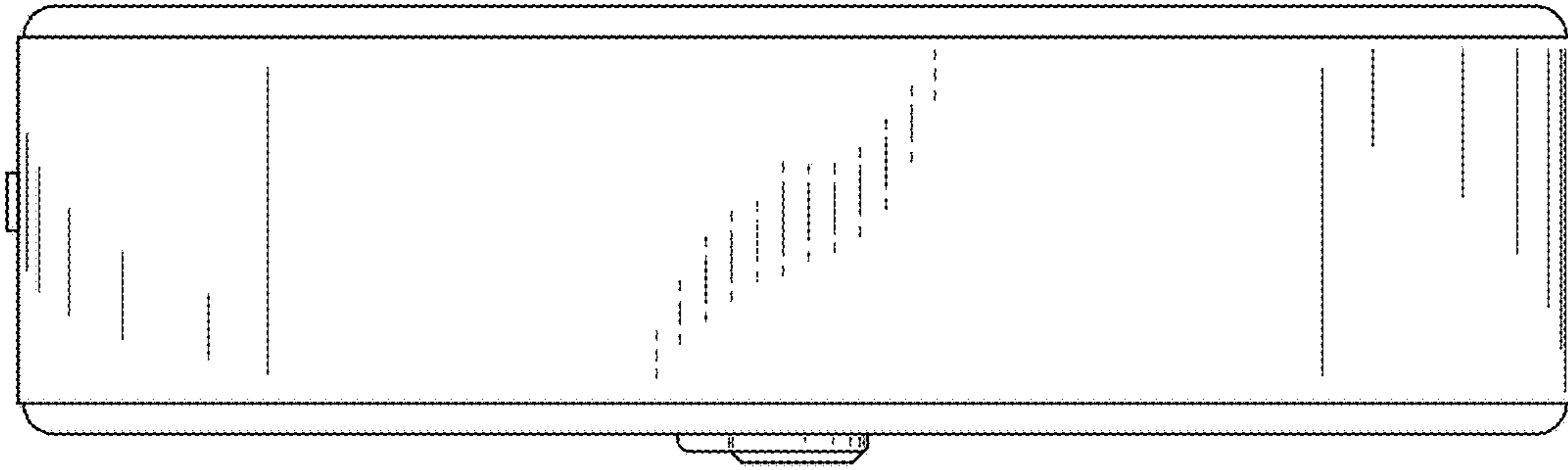


Fig. 6

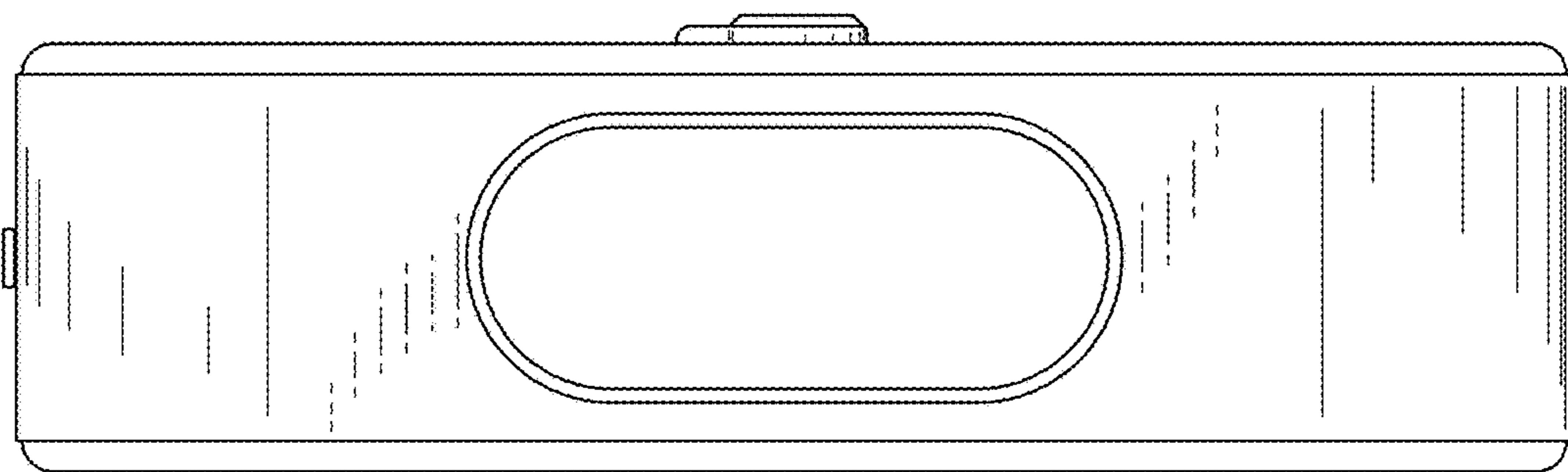


Fig. 7