



US00D784316S

(12) **United States Design Patent**  
**Lim et al.**

(10) **Patent No.:** **US D784,316 S**  
(45) **Date of Patent:** **\*\* Apr. 18, 2017**

- (54) **MOBILE PHONE CASE**
- (71) Applicant: **LG ELECTRONICS INC.**, Seoul (KR)
- (72) Inventors: **Hwitaek Lim**, Seoul (KR); **Hyejin Kim**, Seoul (KR); **Hyunwoo Kim**, Seoul (KR); **Youngho Kim**, Seoul (KR)
- (73) Assignee: **LG ELECTRONICS INC.**, Seoul (KR)
- (\*\*) Term: **15 Years**
- (21) Appl. No.: **29/529,927**
- (22) Filed: **Jun. 11, 2015**
- (30) **Foreign Application Priority Data**

Dec. 12, 2014 (KR) ..... 30-2014-0060840

- (51) **LOC (10) Cl.** ..... **14-03**
- (52) **U.S. Cl.**  
USPC ..... **D14/250**

- (58) **Field of Classification Search**  
USPC ..... D14/238.1, 248, 250, 440, 203.3–203.7, D14/217, 240, 251–253, 447, 496; D3/201, 218, 247, 269, 273, 301, 303; D13/103, 107–108, 119  
CPC A45C 1/06; A45C 11/00; A45C 13/02; A45C 2011/002; A45F 2005/026; A45F 2200/0525; A45F 2200/0516; H04B 1/3888; H04M 1/0283; H04M 1/0202  
See application file for complete search history.

(56) **References Cited**

**U.S. PATENT DOCUMENTS**

- D540,539 S \* 4/2007 Gutierrez ..... D14/484.1
- D547,057 S \* 7/2007 Griffin ..... D3/218
- D551,856 S \* 10/2007 Ko ..... D3/201

- D641,348 S \* 7/2011 Kim ..... D14/250
- D668,458 S \* 10/2012 Lee ..... D3/303
- D705,207 S \* 5/2014 Kim ..... D14/250
- D710,838 S \* 8/2014 Song ..... D14/250
- D721,693 S \* 1/2015 Lee ..... D14/250
- D721,694 S \* 1/2015 Lee ..... D14/250
- D725,643 S \* 3/2015 Lee ..... D14/250
- D730,342 S \* 5/2015 Kim ..... D14/250
- D747,305 S \* 1/2016 Choe ..... D14/250
- D748,086 S \* 1/2016 Choe ..... D14/250
- D749,067 S \* 2/2016 Choe ..... D14/250
- D750,608 S \* 3/2016 Kim ..... D14/250
- D751,539 S \* 3/2016 Ahn ..... D14/250
- 2008/0053851 A1 \* 3/2008 Ko ..... A45C 11/00  
206/320
- 2008/0053852 A1 \* 3/2008 Ko ..... A45C 11/00  
206/320

(Continued)

*Primary Examiner* — Carla Jobe Wright

(74) *Attorney, Agent, or Firm* — Birch, Stewart, Kolasch & Birch, LLP

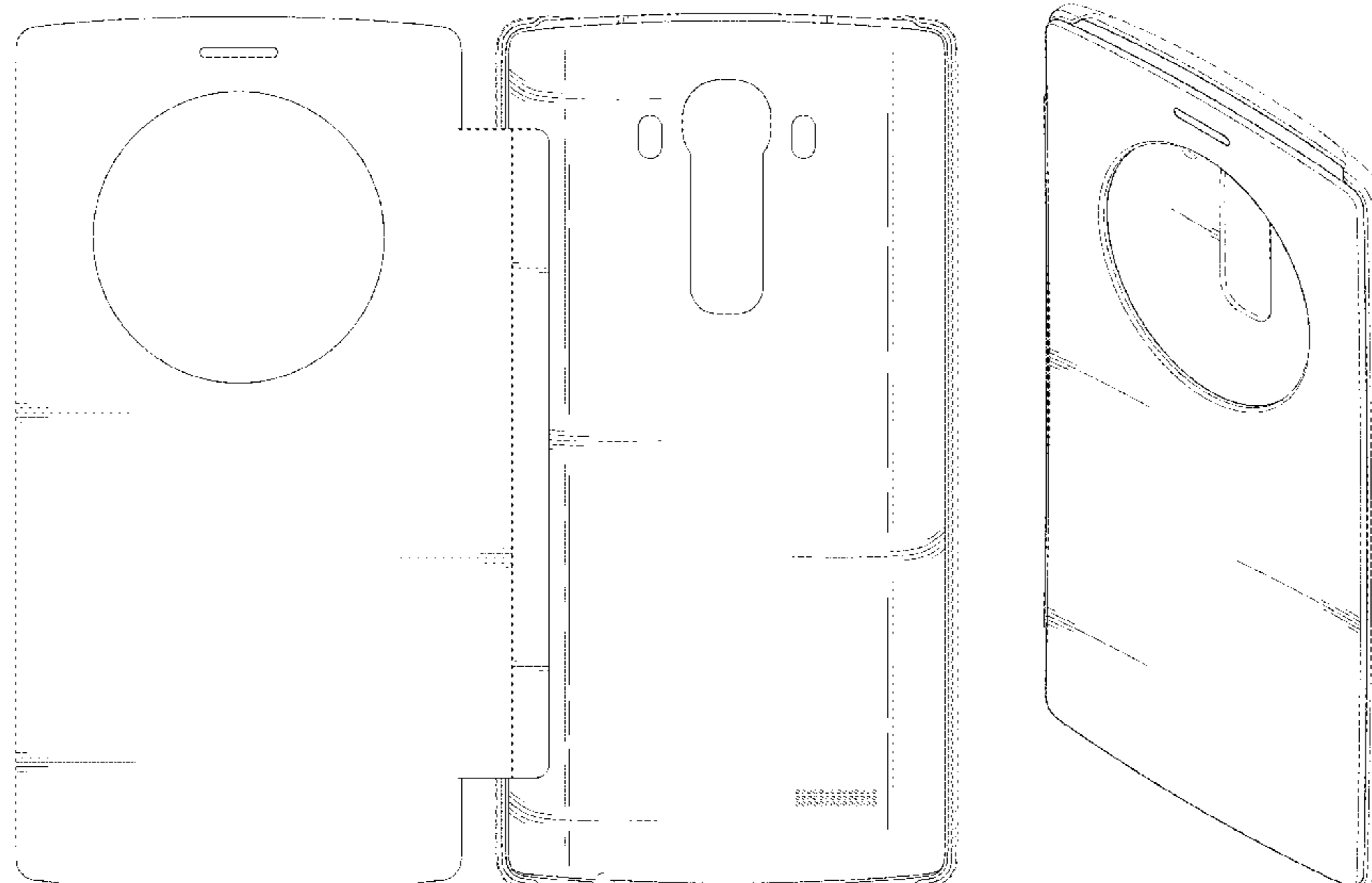
(57) **CLAIM**

The ornamental design for a mobile phone case, as shown and described.

**DESCRIPTION**

FIG. 1 is a perspective view of the interior of a mobile phone case in an open configuration showing our new design; FIG. 2 is an elevation view of the interior thereof; FIG. 3 is an elevation view of the exterior thereof; FIG. 4 is a left-side elevation view thereof; FIG. 5 is a right-side elevation view thereof; FIG. 6 is a top plan view thereof; FIG. 7 is a bottom plan view thereof; and, FIG. 8 is a front perspective view thereof in a closed configuration. The broken lines depict portions of the mobile phone case that form no part of the claimed design.

**1 Claim, 7 Drawing Sheets**



(56)

**References Cited**

U.S. PATENT DOCUMENTS

2008/0251512 A1\* 10/2008 Griffin ..... A45C 11/00  
220/4.02  
2015/0155903 A1\* 6/2015 Jang ..... H04B 1/3888  
455/575.8

\* cited by examiner

FIG. 1

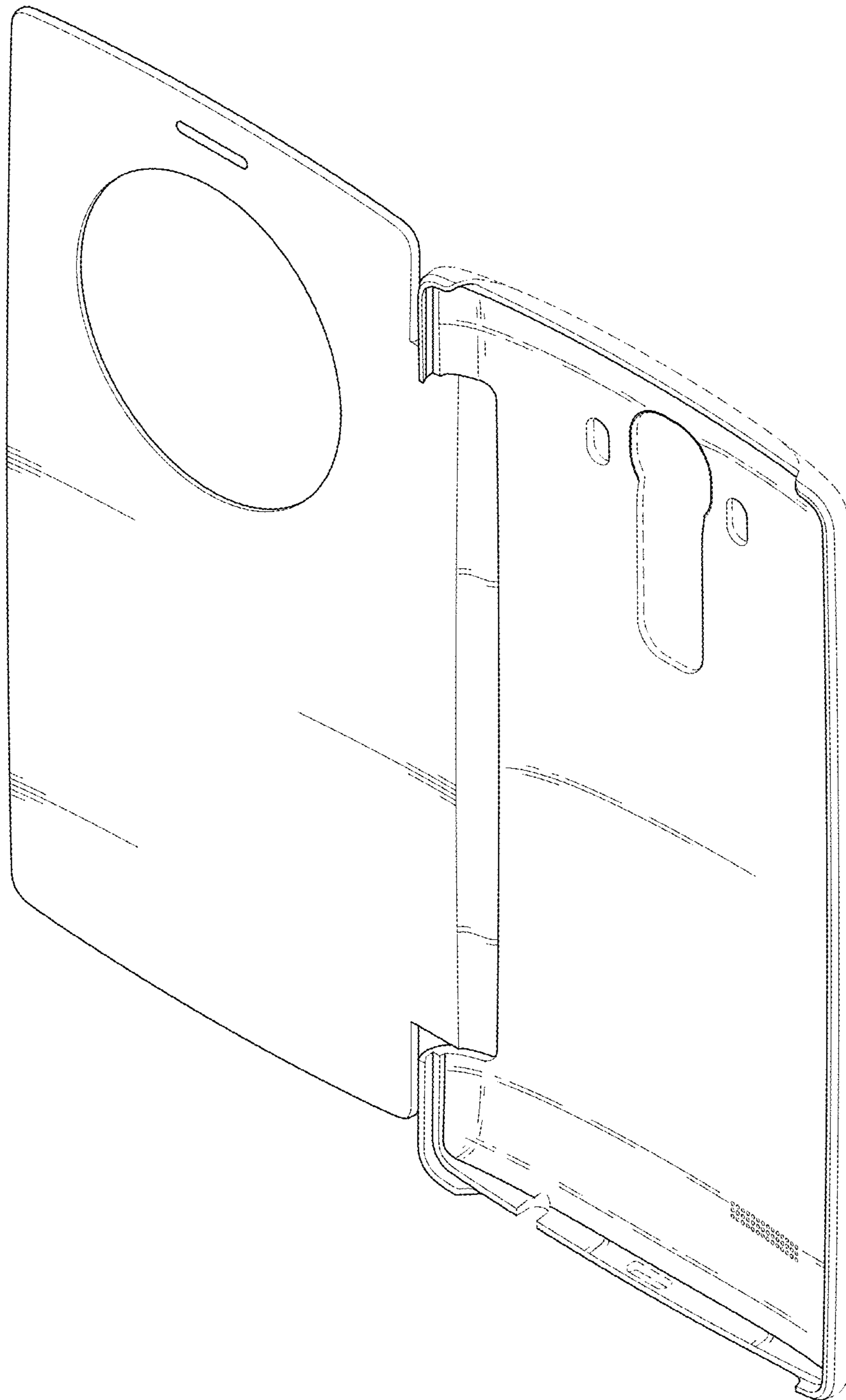


FIG. 2

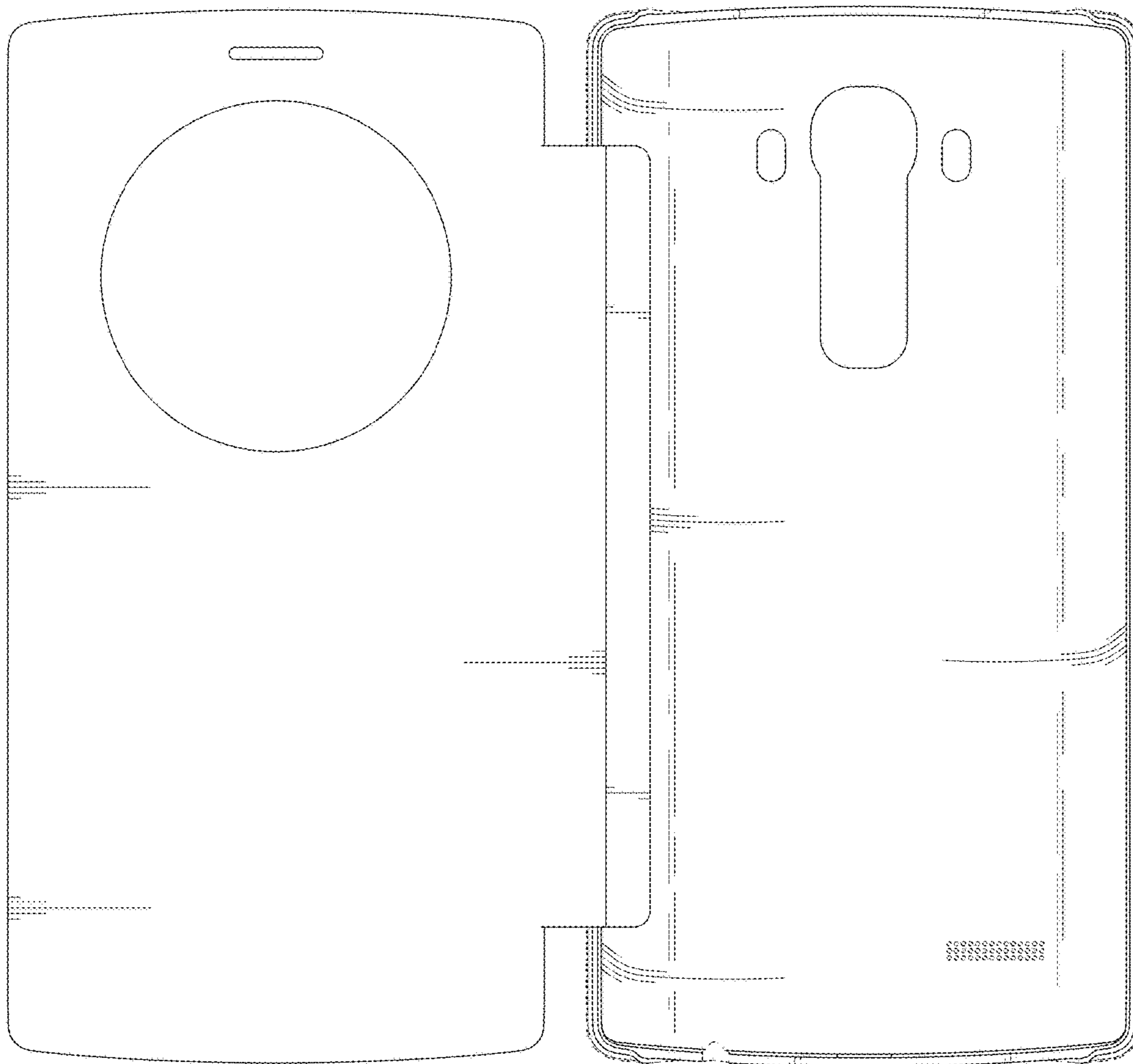


FIG. 3

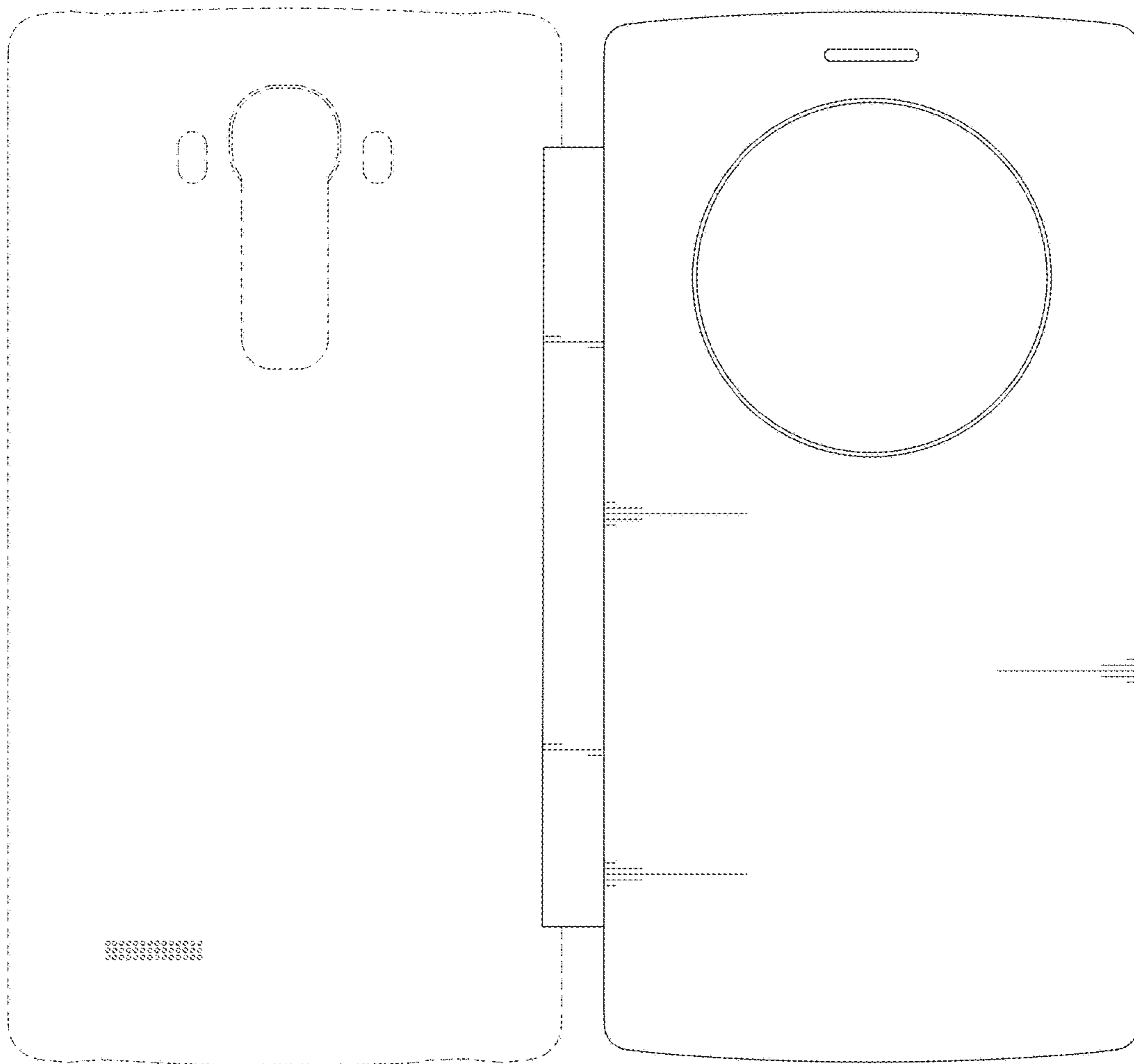


FIG. 4

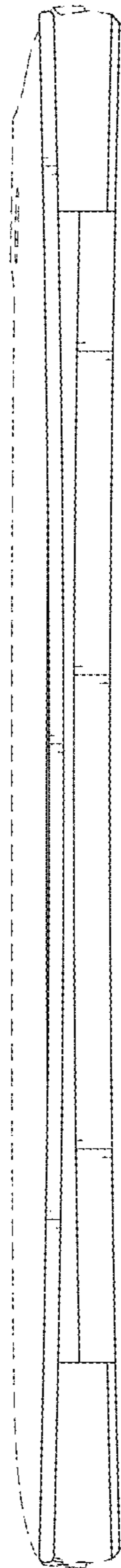


FIG. 5

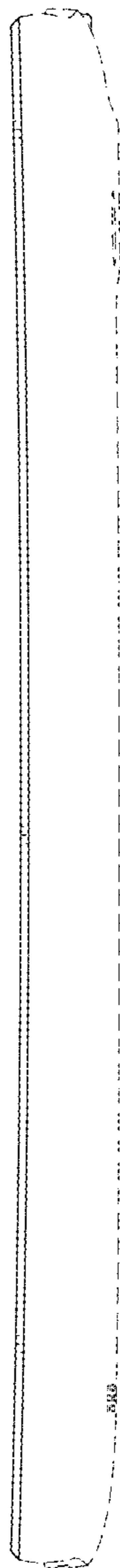


FIG. 6

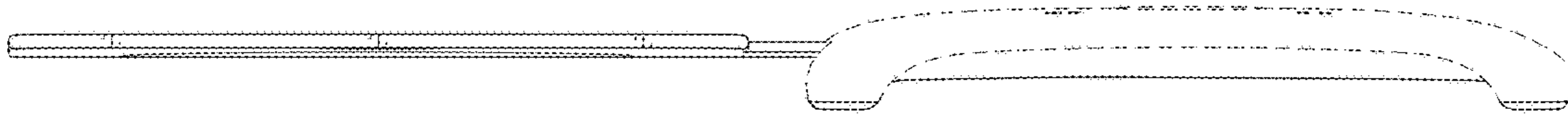


FIG. 7

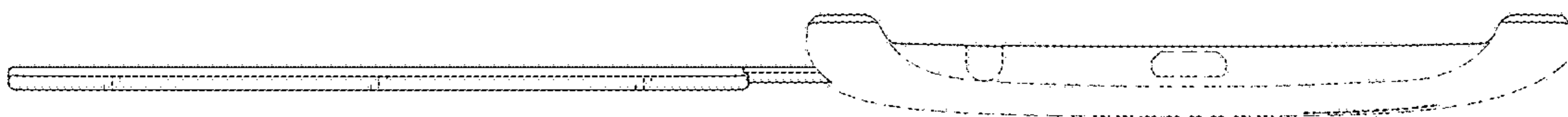




FIG. 8

