



US00D784306S

(12) **United States Design Patent**
Fujii et al.

(10) **Patent No.:** **US D784,306 S**

(45) **Date of Patent:** **** Apr. 18, 2017**

(54) **ACTUATOR**

(71) Applicant: **SMK Corporation**, Tokyo (JP)

(72) Inventors: **Katsuhito Fujii**, Tokyo (JP); **Takeshi Matsuda**, Tokyo (JP); **Yoshinori Watanabe**, Tokyo (JP); **Yuki Akita**, Tokyo (JP)

(73) Assignee: **SMK Corporation**, Tokyo (JP)

(**) Term: **14 Years**

(21) Appl. No.: **29/502,429**

(22) Filed: **Sep. 16, 2014**

(30) **Foreign Application Priority Data**

| | | |
|---------------|------|------------|
| Mar. 17, 2014 | (JP) | 2014-5620 |
| Mar. 17, 2014 | (JP) | 2014-5621 |
| Mar. 17, 2014 | (JP) | 2014-5622 |
| Aug. 26, 2014 | (JP) | 2014-18572 |
| Aug. 26, 2014 | (JP) | 2014-18573 |

(51) **LOC (10) Cl.** **14-03**

(52) **U.S. Cl.**
USPC **D14/240**

(58) **Field of Classification Search**
USPC D15/143; D14/240; D13/112, 158,
D13/166-169
CPC G06F 3/016
See application file for complete search history.

(56) **References Cited**

U.S. PATENT DOCUMENTS

| | | | |
|----------------|---------|----------|-----------------------|
| D478,071 S * | 8/2003 | Teymouri | D14/240 |
| 7,126,259 B2 * | 10/2006 | Moler | H02N 2/043 310/328 |
| D614,144 S * | 4/2010 | Arosio | D13/158 |

| | | | |
|-------------------|---------|-------------|-------------------------|
| D624,572 S * | 9/2010 | Fukano | D13/158 |
| D656,169 S * | 3/2012 | Fukano | D15/143 |
| D677,624 S * | 3/2013 | Goodman | D13/112 |
| D696,651 S * | 12/2013 | Ohashi | D14/240 |
| D696,652 S * | 12/2013 | Ohashi | D14/240 |
| D696,653 S * | 12/2013 | Ohashi | D14/240 |
| D708,239 S * | 7/2014 | Lin | D15/143 |
| D732,047 S * | 6/2015 | Brouillette | D14/454 |
| 2006/0050059 A1 * | 3/2006 | Satoh | G06F 3/041 345/173 |
| 2011/0163634 A1 * | 7/2011 | Kim | H01L 41/0906 310/328 |

(Continued)

Primary Examiner — Susan Bennett Hattan

Assistant Examiner — Brett Miller

(74) *Attorney, Agent, or Firm* — Locke Lord LLP

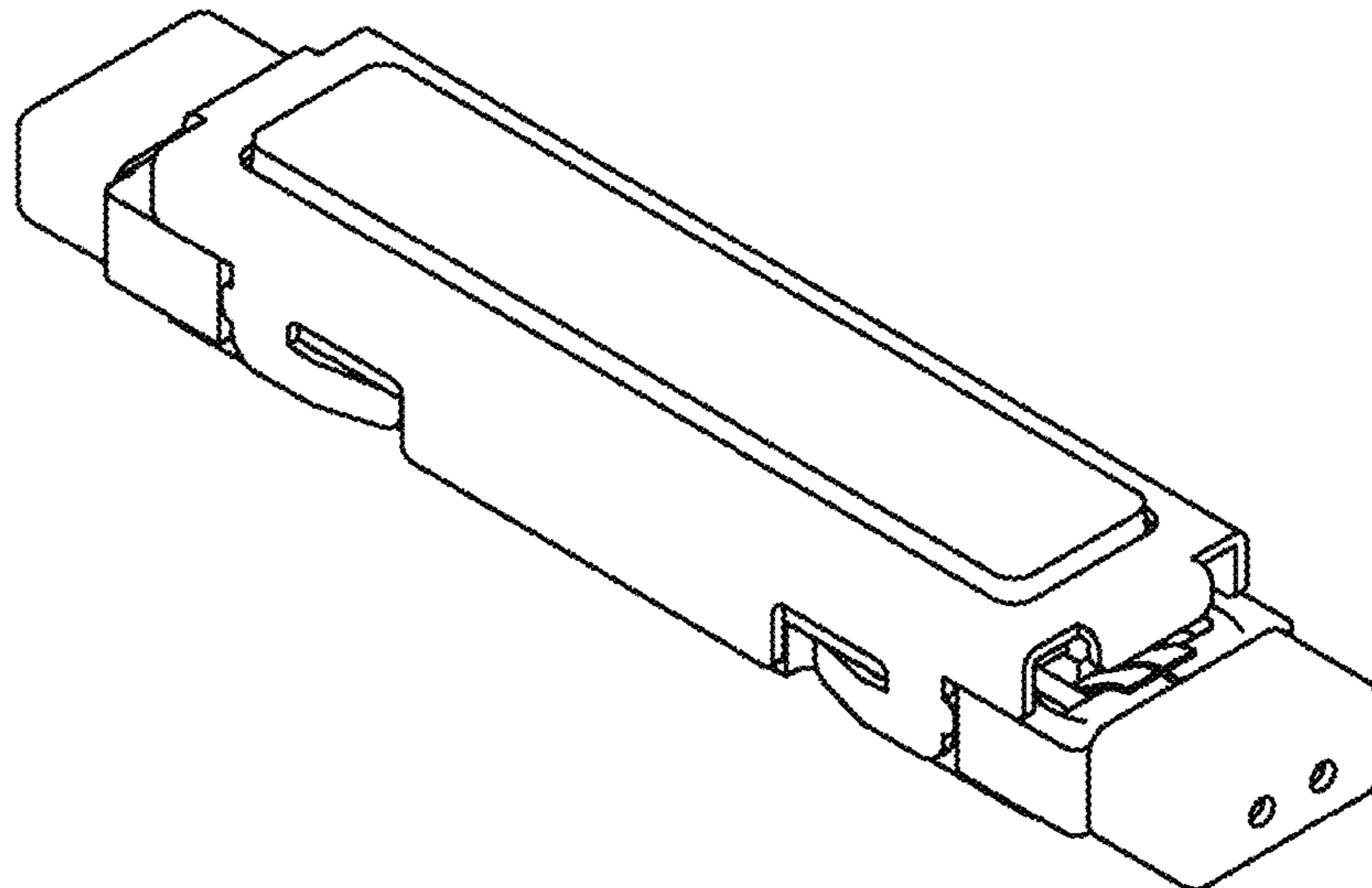
(57) **CLAIM**

The ornamental design for an actuator, as shown and described.

DESCRIPTION

FIG. 1 is a front perspective view of an actuator according to a first embodiment of our new ornamental design; FIG. 2 is a rear perspective view thereof; FIG. 3 is a front view thereof; FIG. 4 is a rear view thereof; FIG. 5 is a top plan view thereof; FIG. 6 is a bottom plan view thereof; FIG. 7 is a right-side view thereof; FIG. 8 is a front perspective view of an actuator according to a second embodiment of our new ornamental design; FIG. 9 is a rear perspective view thereof; FIG. 10 is a front view thereof; FIG. 11 is a rear view thereof; FIG. 12 is a top plan view thereof; FIG. 13 is a bottom plan view thereof; and, FIG. 14 is a right-side view thereof.

1 Claim, 8 Drawing Sheets



(56)

References Cited

U.S. PATENT DOCUMENTS

2011/0260995 A1* 10/2011 Woo G06F 3/016
345/173
2012/0038471 A1* 2/2012 Kim H04N 1/00411
340/407.2
2013/0335354 A1* 12/2013 Zellers H01L 41/0926
345/173
2014/0085065 A1* 3/2014 Biggs G06F 3/016
340/407.2
2014/0347283 A1* 11/2014 Kim G06F 3/016
345/173
2015/0155470 A1* 6/2015 Mori G06F 3/016
310/326
2016/0018894 A1* 1/2016 Yliaho G06F 3/016
345/177

* cited by examiner

FIG. 1

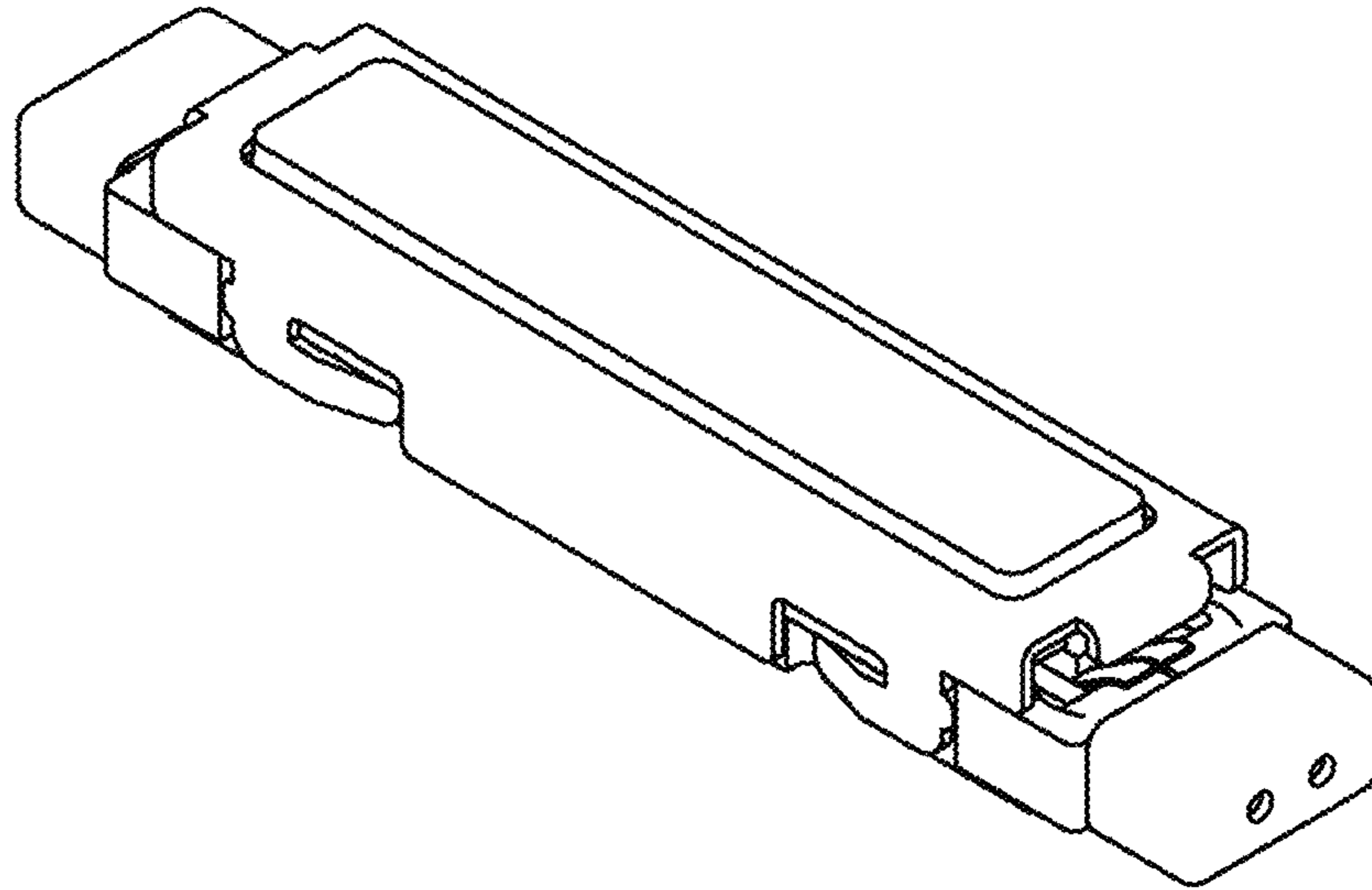


FIG. 2

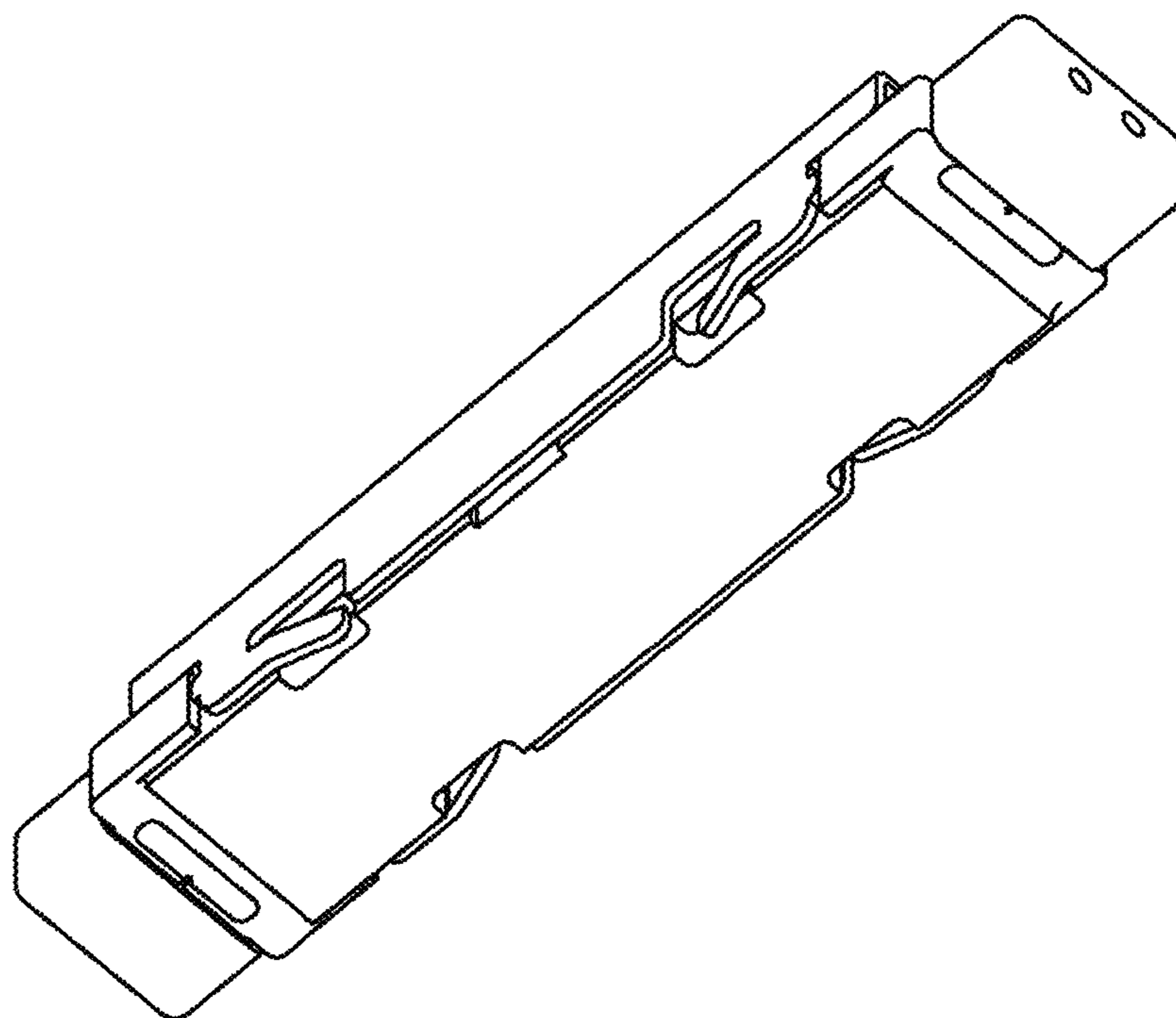


FIG. 3

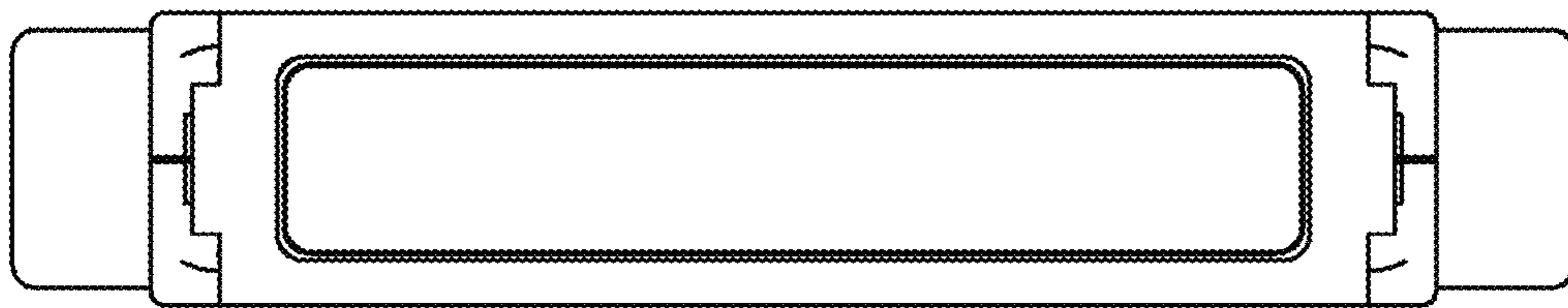


FIG. 4



FIG. 5

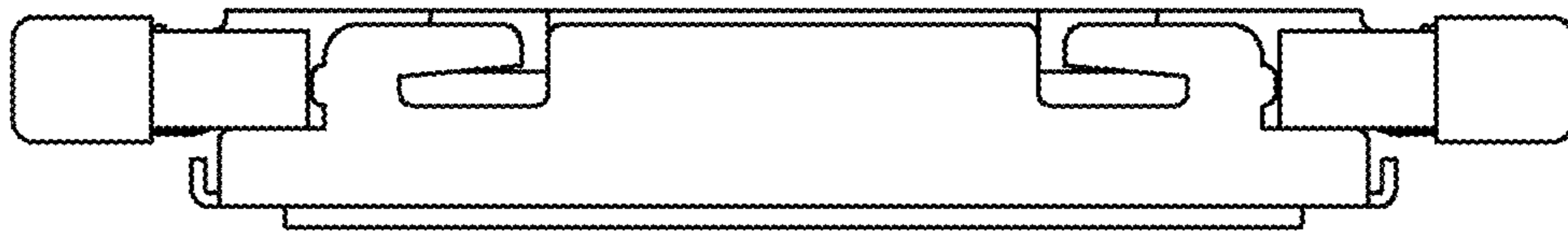


FIG. 6

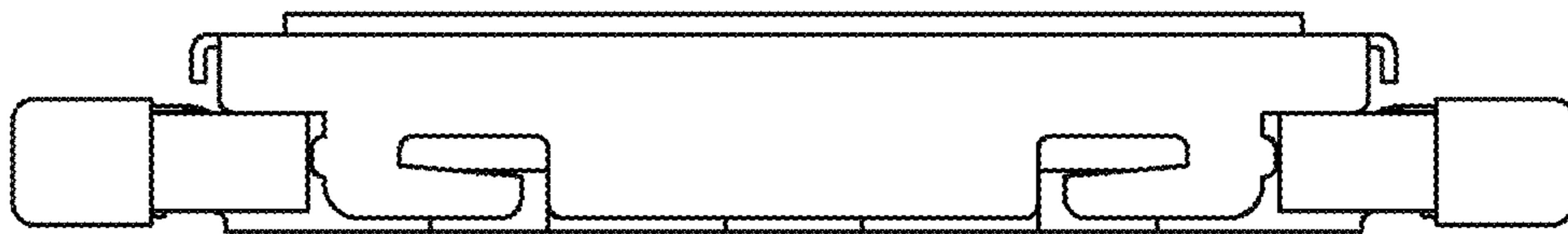


FIG. 7

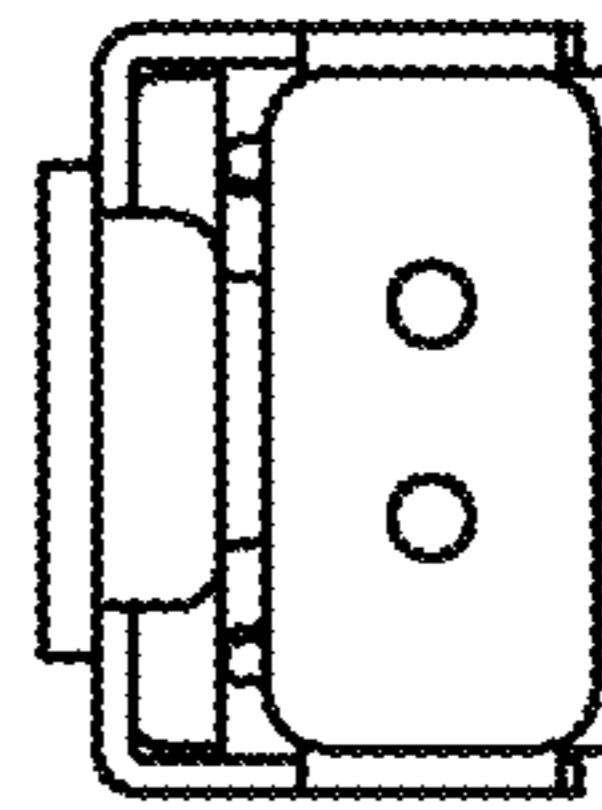


FIG. 8

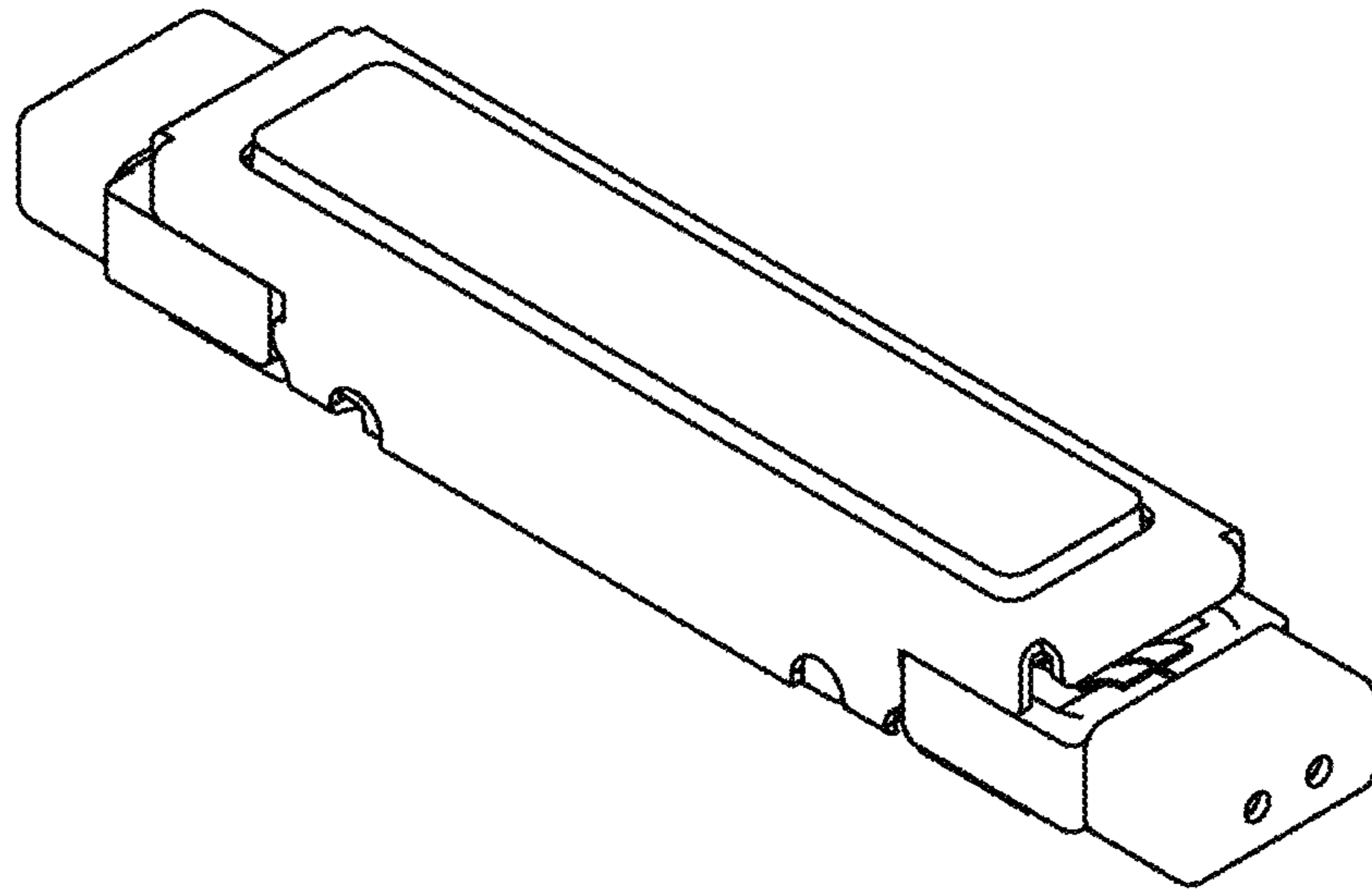


FIG. 9

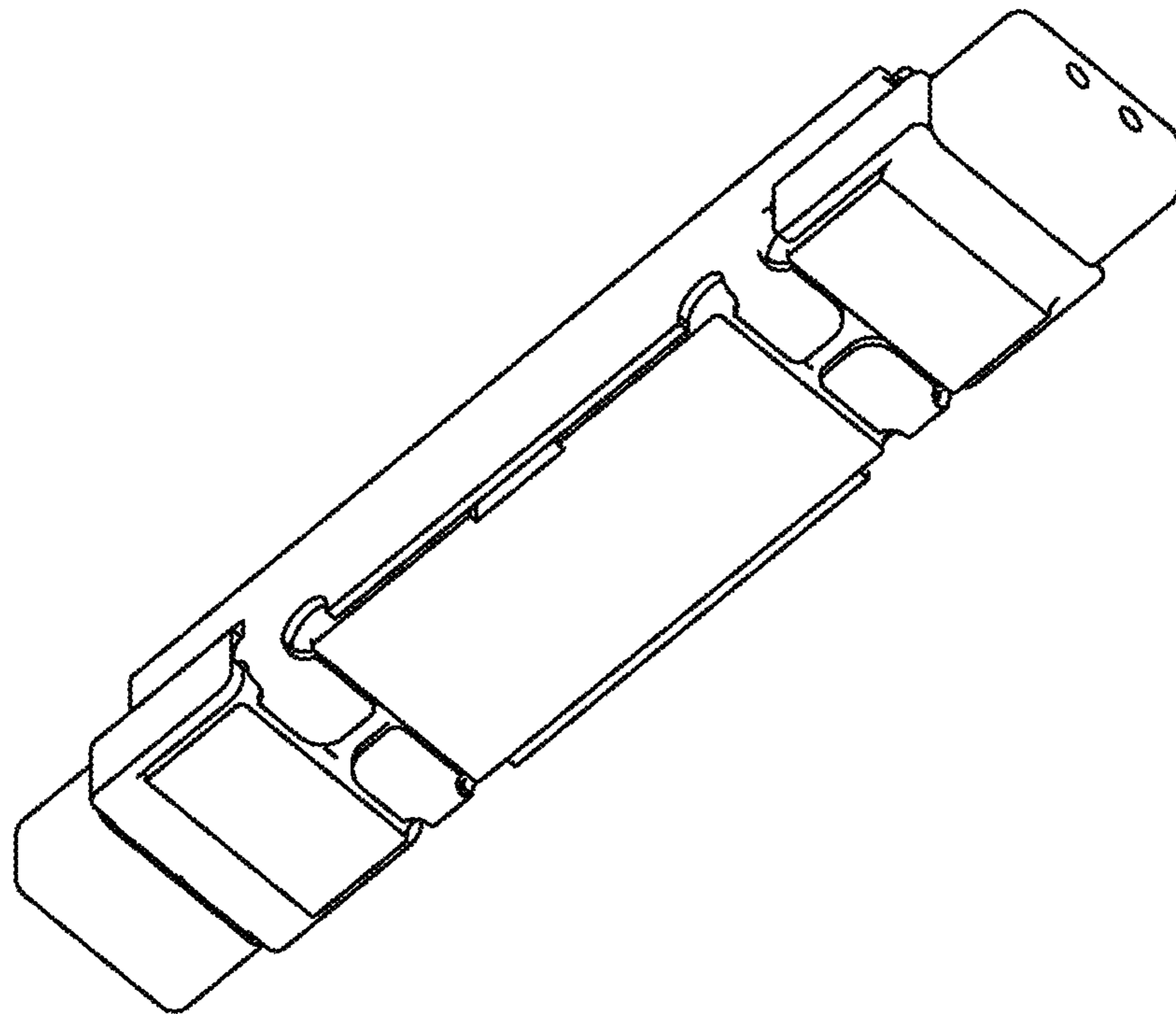


FIG. 10

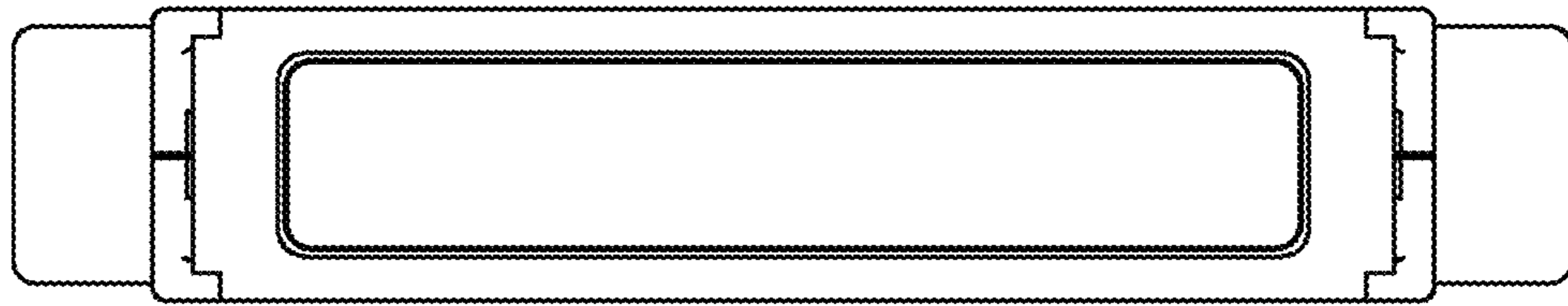


FIG. 11



FIG. 12

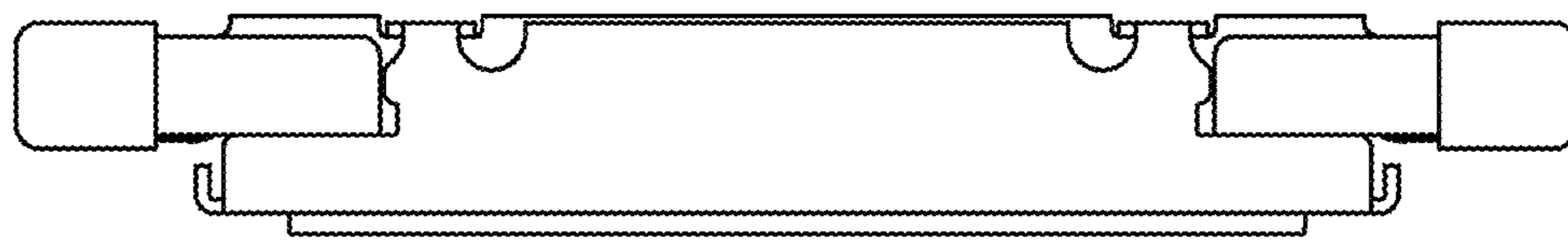


FIG. 13

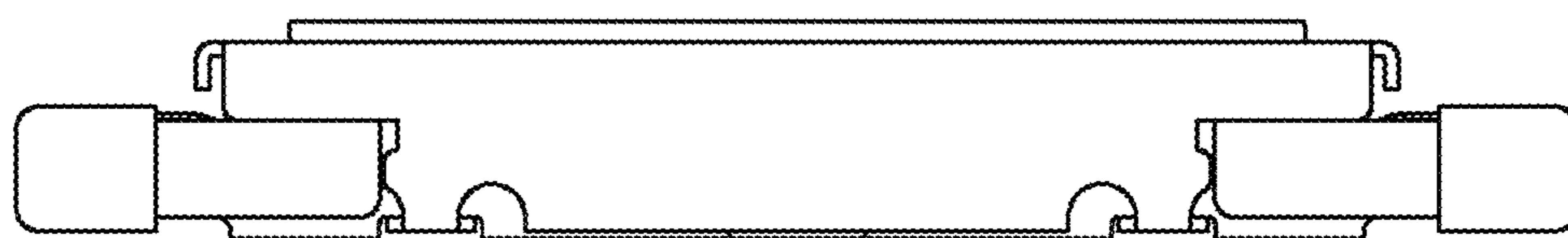


FIG. 14

