



US00D784303S

(12) **United States Design Patent**
Zheng et al.

(10) **Patent No.:** **US D784,303 S**
(45) **Date of Patent:** **** Apr. 18, 2017**

(54) **ANTENNA**

(71) Applicant: **Airgain Incorporated**, San Diego, CA
(US)

(72) Inventors: **Bei Zheng**, Zhang Jia Gang (CN);
Mengyi Tao, Zhang Jia Gang (CN)

(73) Assignee: **Airgain Incorporated**, San Diego, CA
(US)

(**) Term: **15 Years**

(21) Appl. No.: **29/549,603**

(22) Filed: **Dec. 27, 2015**

(51) **LOC (10) Cl.** **14-03**

(52) **U.S. Cl.**
USPC **D14/230**

(58) **Field of Classification Search**
USPC D14/138, 230-238.1, 299, 358; D13/182
CPC H01L 33/48; H01L 33/486; H01L 23/02;
H05K 5/00; H01Q 13/10
See application file for complete search history.

(56) **References Cited**

U.S. PATENT DOCUMENTS

D633,900 S * 3/2011 Tsai D14/230
D654,062 S * 2/2012 Ko D14/230
D709,053 S * 7/2014 Chang D14/230
D763,834 S * 8/2016 Zheng D14/230

D766,221 S * 9/2016 Zheng D14/230
D768,117 S * 10/2016 Yang D14/230
2008/0150829 A1 * 6/2008 Lin G06F 1/1616
343/860

OTHER PUBLICATIONS

<http://airgain.com/our-services/embedded-antennas/>—Retrieved
Dec. 17, 2016.*
<http://www.dhgate.com/store/product/10pcs-2-4g-3dbi-pcb-aerial-wifi-internal/182393177.html>—Retrieved Dec. 19, 2016.*

* cited by examiner

Primary Examiner — Manpreet Matharu
Assistant Examiner — Mojtaba Tehrani
(74) *Attorney, Agent, or Firm* — Clause Eight IPS;
Michael Catania

(57) **CLAIM**

The ornamental design for an antenna, as shown and described.

DESCRIPTION

FIG. 1 is a top plan view of an antenna, showing our new design;
FIG. 2 is a side elevation view thereof;
FIG. 3 is a front elevation view thereof;
FIG. 4 is a bottom plan view thereof; and,
FIG. 5 is a top perspective view thereof.
The broken line in the figure drawings represents unclaimed environment only and forms no part of the claimed design.

1 Claim, 4 Drawing Sheets

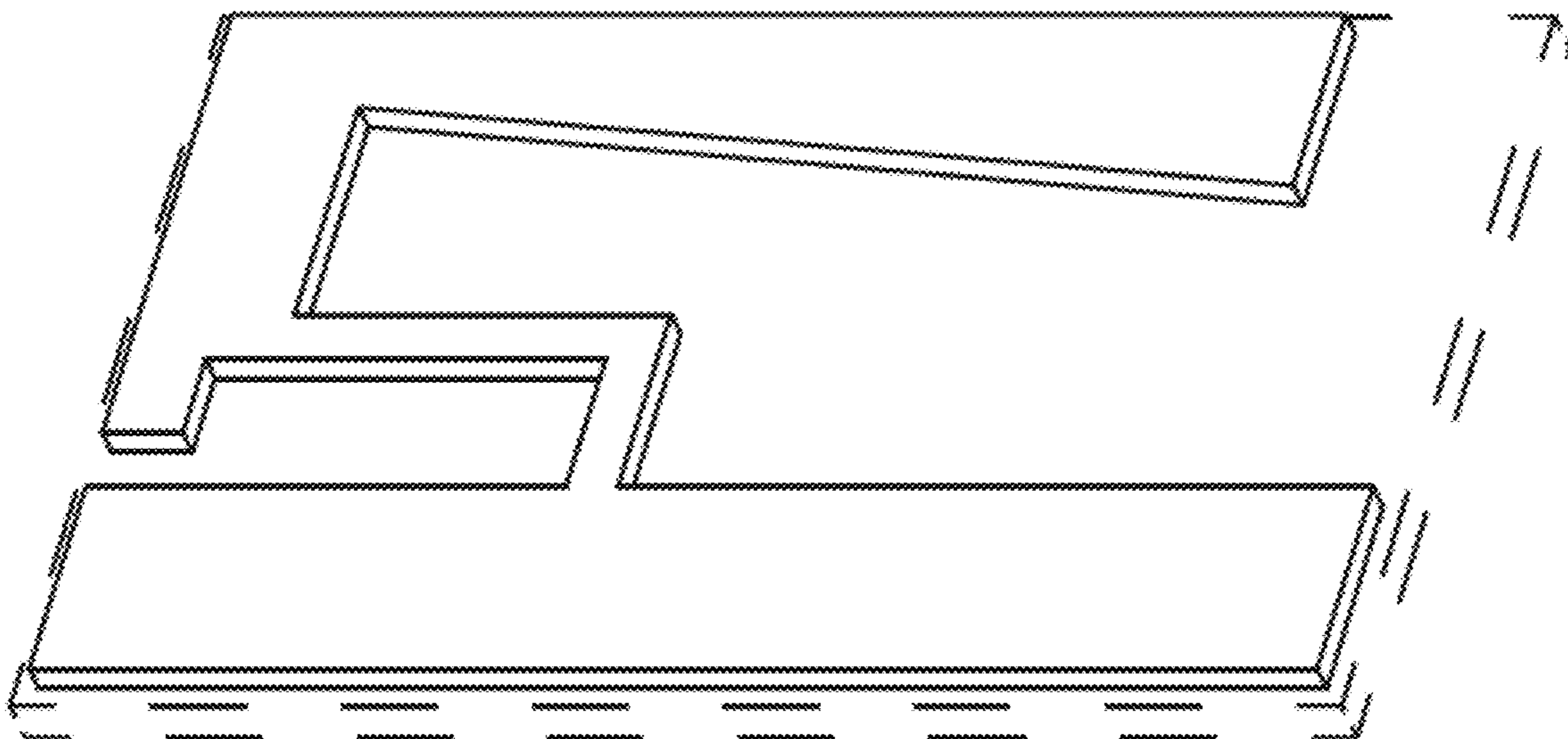




FIG. 2



FIG. 3

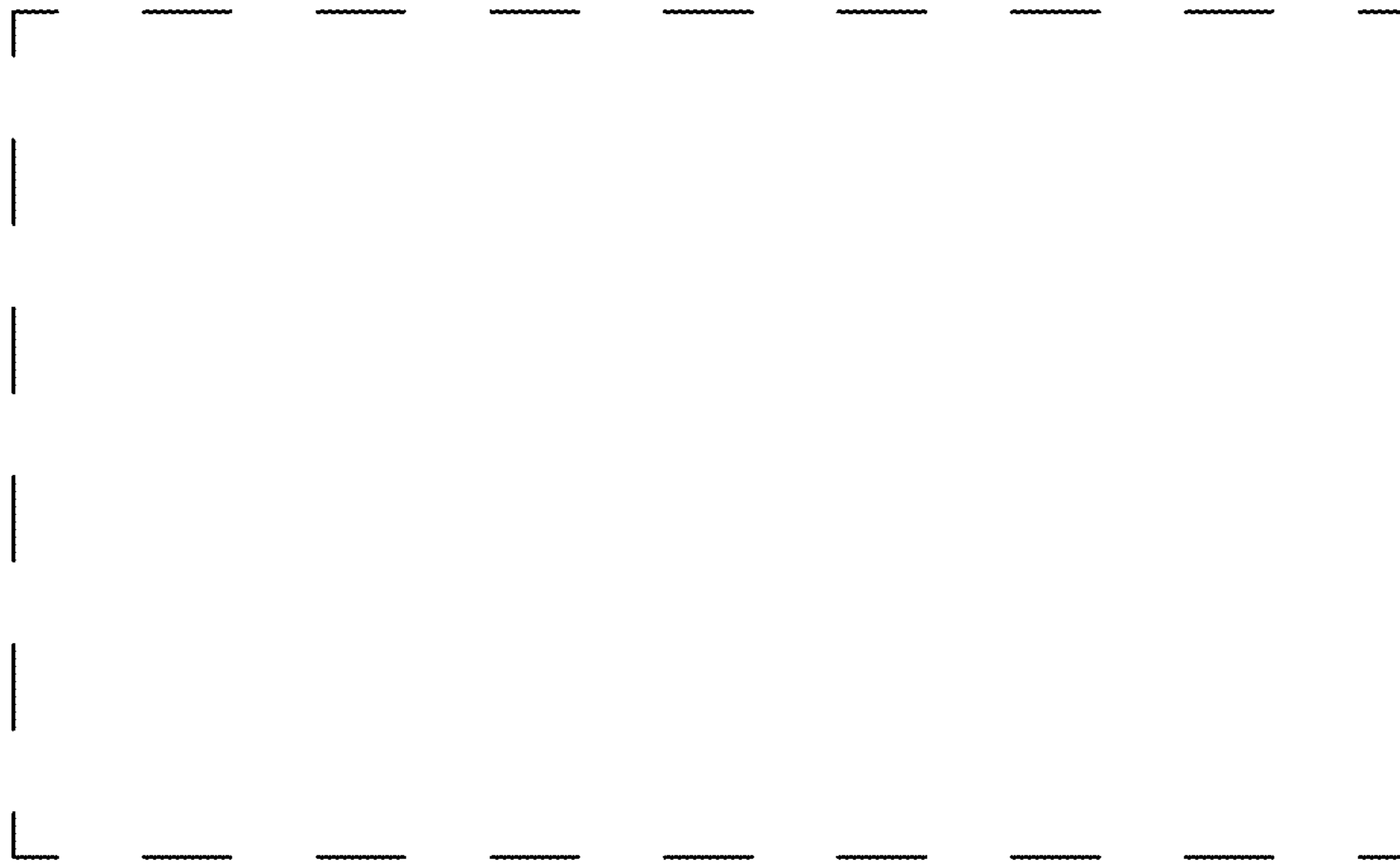


FIG. 4

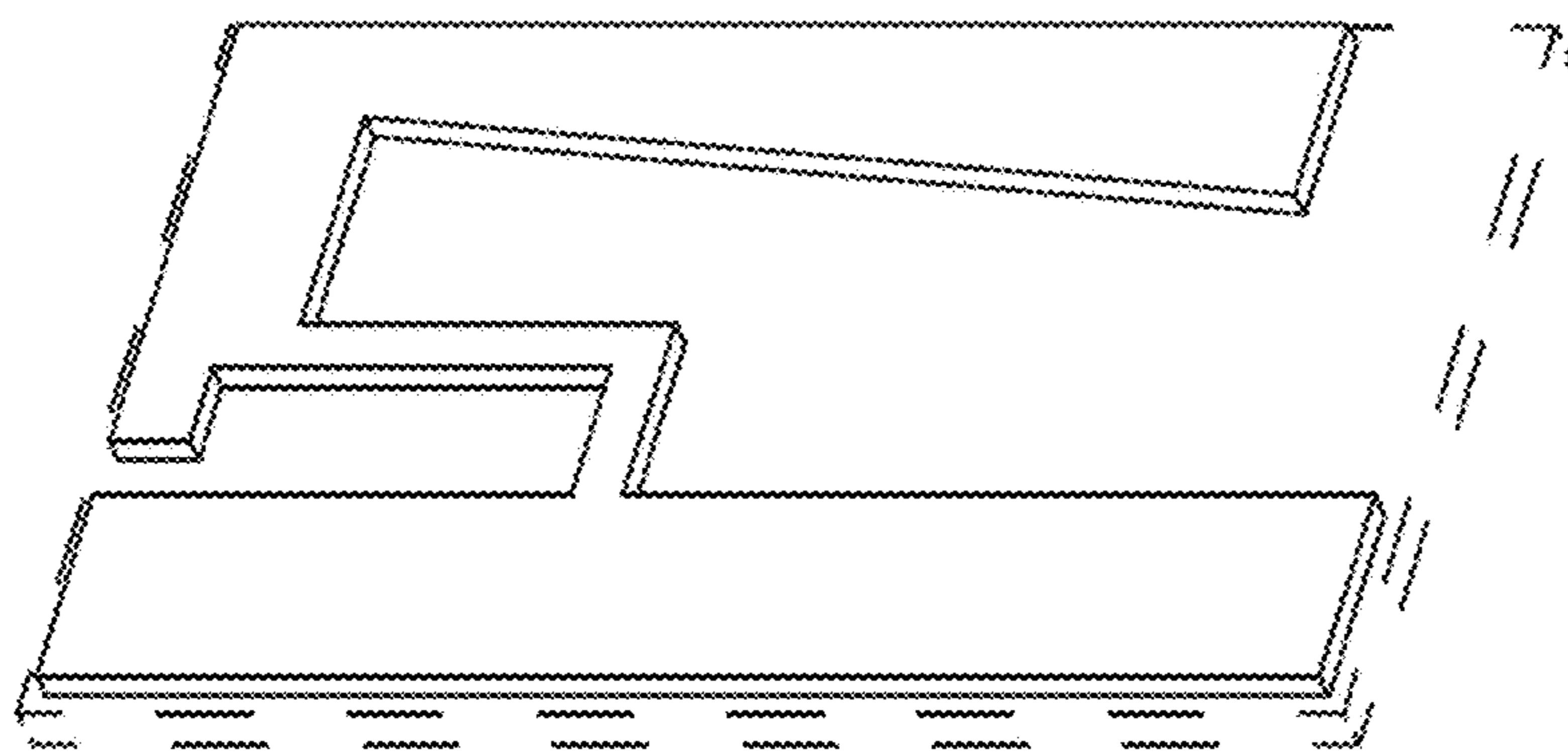


FIG. 5