



US00D784302S

(12) **United States Design Patent**
Leabman

(10) **Patent No.:** **US D784,302 S**
(45) **Date of Patent:** **** Apr. 18, 2017**

- (54) **MONITOR WITH ANTENNA**
- (71) Applicant: **ENERGOUS CORPORATION**, San Jose, CA (US)
- (72) Inventor: **Michael A. Leabman**, San Ramon, CA (US)
- (73) Assignee: **ENERGOUS CORPORATION**, San Jose, CA (US)
- (**) Term: **14 Years**
- (21) Appl. No.: **29/487,660**
- (22) Filed: **Apr. 10, 2014**
- (51) **LOC (10) Cl.** **14-03**
- (52) **U.S. Cl.**
USPC **D14/230; D14/374**
- (58) **Field of Classification Search**
USPC D14/138, 230–238, 299, 358, 374, 126;
D12/42, 43; 343/700 MS, 700 R–705,
343/711–713, 735, 736, 741, 748, 767,
343/795, 819, 840, 846, 866, 871–908;
455/90.2, 90.3, 91, 128, 269, 344, 347,
455/562.1
CPC H01Q 7/00; H01Q 13/10; H01Q 9/285;
H01Q 19/30; H01Q 19/12; H01Q 1/38;
H01Q 1/36; H01Q 1/32; H01Q 1/3275;
H04B 1/0475; H04B 1/034; H05K 11/00
See application file for complete search history.

- 7,362,259 B2 * 4/2008 Gottwald H01Q 1/325
342/159
- D568,844 S * 5/2008 Fujii D14/126
- 7,973,722 B1 * 7/2011 Hill H01Q 7/08
343/702
- 8,125,772 B2 * 2/2012 Kim G02F 1/133308
343/702
- 8,285,231 B2 * 10/2012 Rofougaran H01Q 1/2283
343/700 MS
- D682,272 S * 5/2013 Kim D14/374
- 8,779,989 B2 * 7/2014 Huang H01Q 13/10
343/700 MS
- 8,816,928 B2 * 8/2014 Weng H01Q 5/364
343/700 MS
- 8,836,584 B2 * 9/2014 Kim H01Q 1/243
343/700 MS
- 8,872,703 B2 * 10/2014 Degen H01Q 1/38
343/700 MS
- 8,890,751 B2 * 11/2014 Wolf H01Q 1/243
343/700 MS
- 8,922,434 B2 * 12/2014 Prat H01Q 1/44
343/700 MS

(Continued)

Primary Examiner — John Windmuller
(74) *Attorney, Agent, or Firm* — Morgan, Lewis & Bockius LLP

(57) **CLAIM**

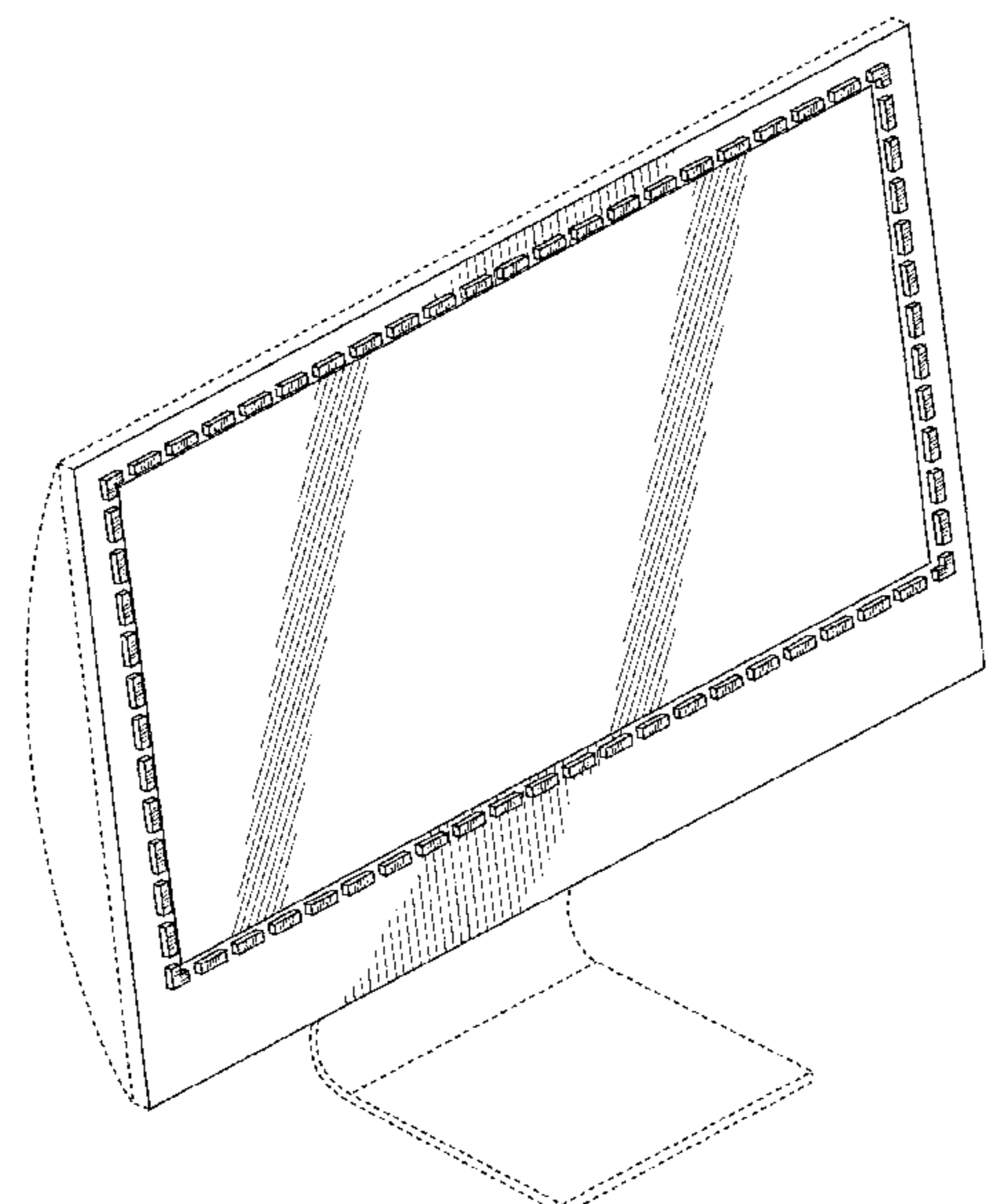
The ornamental design for a monitor with antenna, as shown and described.

DESCRIPTION

FIG. 1 is a front perspective view of a monitor with antenna; FIG. 2 is a front view of the monitor with antenna; FIG. 3 is rear view of the monitor with antenna; FIG. 4 is a right side view of FIG. 1; and, FIG. 5 is a left side view of FIG. 1. The broken lines in the figures depict portions of the monitor with antenna that form no part of the claimed design.

1 Claim, 3 Drawing Sheets

- (56) **References Cited**
U.S. PATENT DOCUMENTS
D497,351 S * 10/2004 Kita D14/126
D499,386 S * 12/2004 Yang D14/126
D534,883 S * 1/2007 Kang D14/128
7,242,353 B2 * 7/2007 Hung H01Q 1/22
343/702
D567,197 S * 4/2008 Kita D14/126



(56)

References Cited

U.S. PATENT DOCUMENTS

9,019,165 B2 * 4/2015 Shtrom H01Q 1/38
343/700 MS
D735,717 S * 8/2015 Lam D14/341
D736,170 S * 8/2015 Ryu D14/126
D754,122 S * 4/2016 Oakley D14/336
2004/0189625 A1 * 9/2004 Sato G06K 19/07749
345/204
2007/0115188 A1 * 5/2007 Mizoguchi H01Q 1/22
343/702
2007/0194994 A1 * 8/2007 Waltho H01Q 13/10
343/702
2010/0182207 A1 * 7/2010 Miyata H01L 27/13
343/702

* cited by examiner

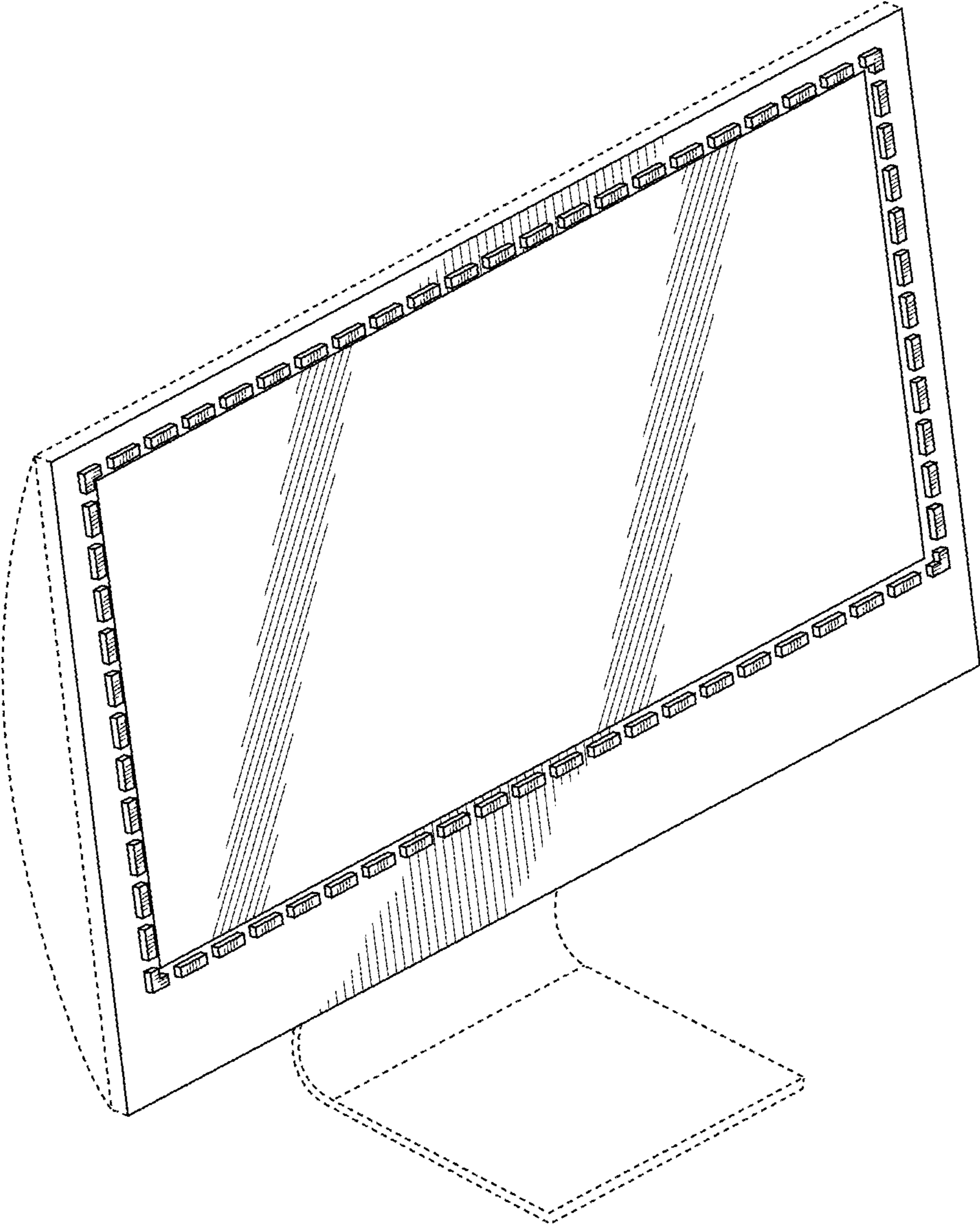


FIG. 1

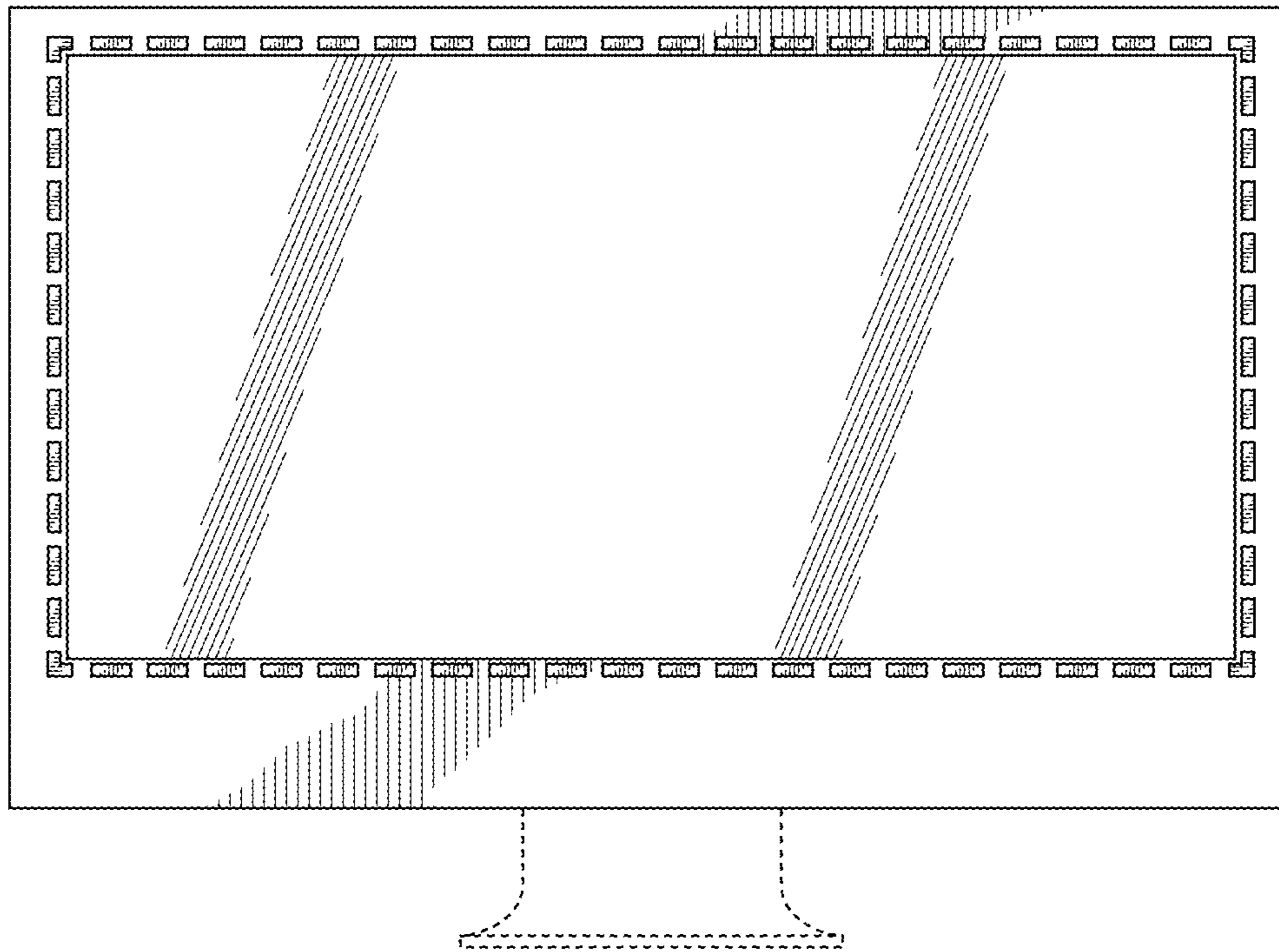


FIG. 2

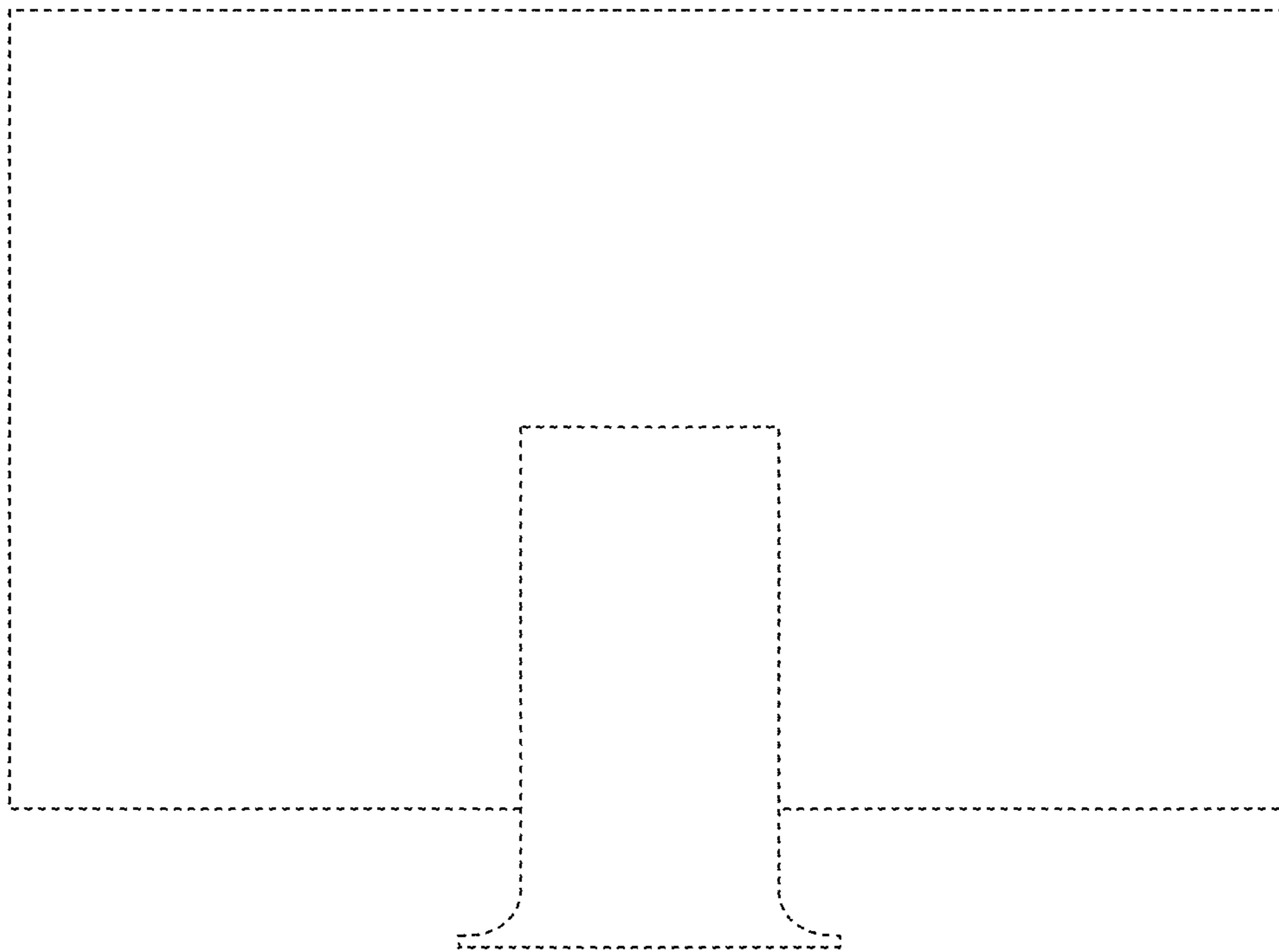


FIG. 3

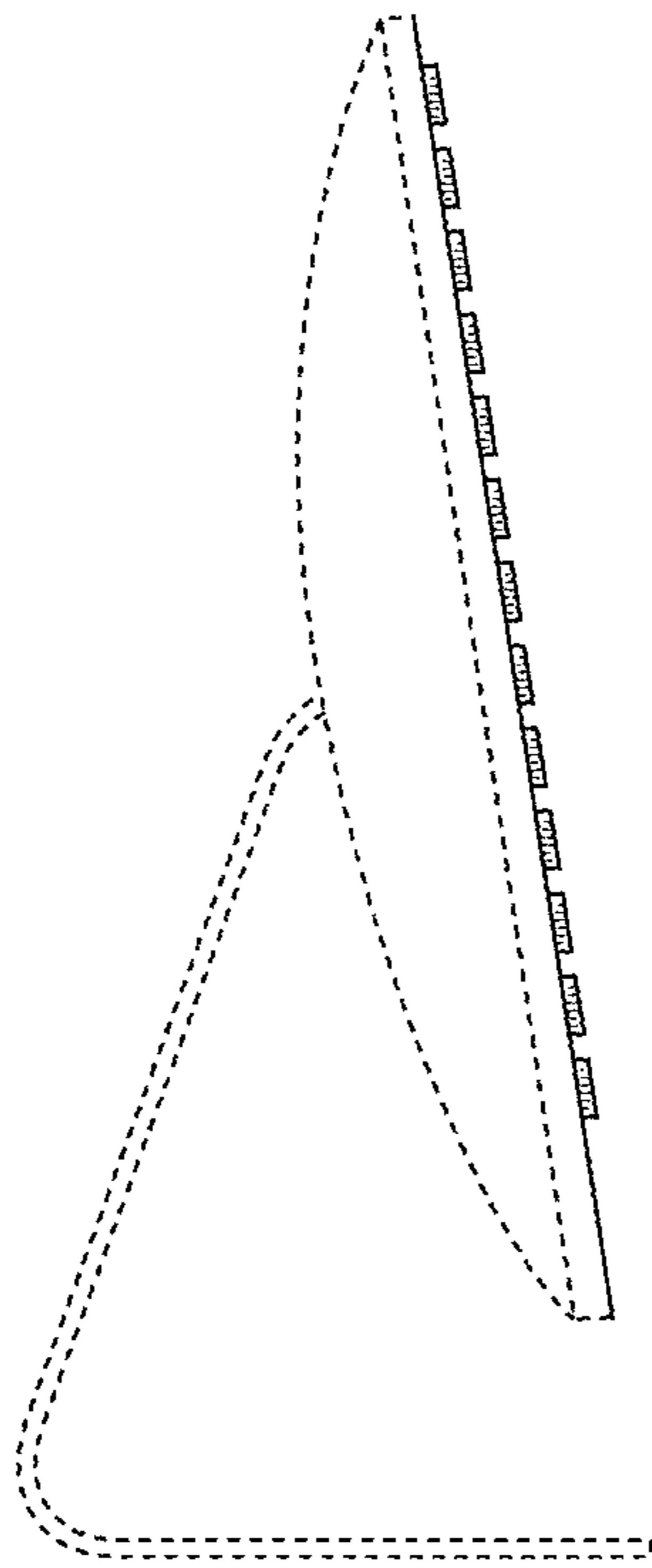


FIG. 4

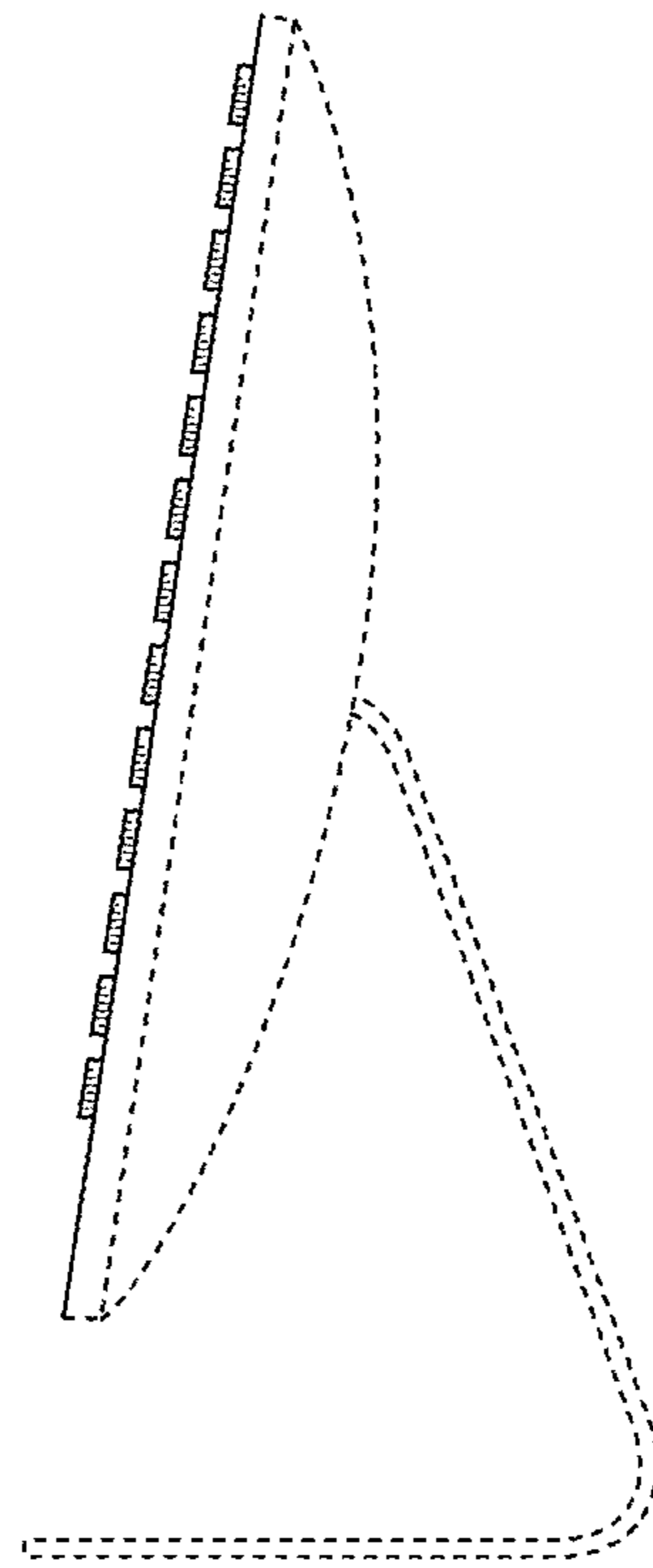


FIG. 5