



US00D784298S

(12) **United States Design Patent**  
**Ozawa et al.**

(10) **Patent No.:** **US D784,298 S**  
(45) **Date of Patent:** **\*\* Apr. 18, 2017**

(54) **EARPHONE**

(71) Applicant: **KABUSHIKI KAISHA**  
**AUDIO-TECHNICA**, Tokyo (JP)

(72) Inventors: **Hikomichi Ozawa**, Tokyo (JP); **Shohei Araki**, Kanagawa (JP)

(73) Assignee: **Kabushiki Kaisha Audio-Technica**, Tokyo (JP)

(\*\*) Term: **15 Years**

(21) Appl. No.: **29/548,838**

(22) Filed: **Dec. 17, 2015**

(30) **Foreign Application Priority Data**

Jun. 18, 2015 (JP) ..... 2015-13497

(51) **LOC (10) Cl.** ..... **14-01**

(52) **U.S. Cl.**  
USPC ..... **D14/223**

(58) **Field of Classification Search**

USPC ..... D14/223, 205; 181/129, 130, 135;  
381/380, 381, 370, 371, 384, 328;  
455/569.1; 379/430, 431  
CPC ..... H04R 1/10; H04R 1/1016; H04R 25/00;  
H04R 1/02; H04R 1/1066  
See application file for complete search history.

(56) **References Cited**

**U.S. PATENT DOCUMENTS**

4,742,887 A \* 5/1988 Yamagishi ..... H04R 1/2857  
181/129  
D337,118 S \* 7/1993 Seikita ..... D14/223  
D463,789 S \* 10/2002 DeKalb ..... D14/223  
6,574,345 B1 \* 6/2003 Huang ..... H04R 1/1016  
379/430  
D487,077 S \* 2/2004 Obata ..... D14/223  
D510,337 S \* 10/2005 Tages ..... D14/205

D517,053 S \* 3/2006 Ham ..... D14/223  
D531,169 S \* 10/2006 Tokioka ..... D14/223  
D539,268 S \* 3/2007 Suzuki ..... D14/206  
D542,782 S \* 5/2007 Pena Angarita ..... D14/223  
D554,627 S \* 11/2007 Gondo ..... D14/223  
7,349,550 B2 \* 3/2008 Oliveira ..... H04R 1/10  
381/374  
D566,099 S \* 4/2008 Komiyama ..... D14/206  
D566,687 S \* 4/2008 Duarte ..... D14/205  
D567,217 S \* 4/2008 Kamo ..... D14/205  
D576,154 S \* 9/2008 Ledbetter ..... D14/223  
D586,332 S \* 2/2009 Ewert ..... D14/223  
D589,493 S \* 3/2009 Densho ..... D14/206  
D593,997 S \* 6/2009 Mauritzsson ..... D14/205

(Continued)

*Primary Examiner* — Paula Greene

(74) *Attorney, Agent, or Firm* — Whitham, Curtis & Cook, P.C.

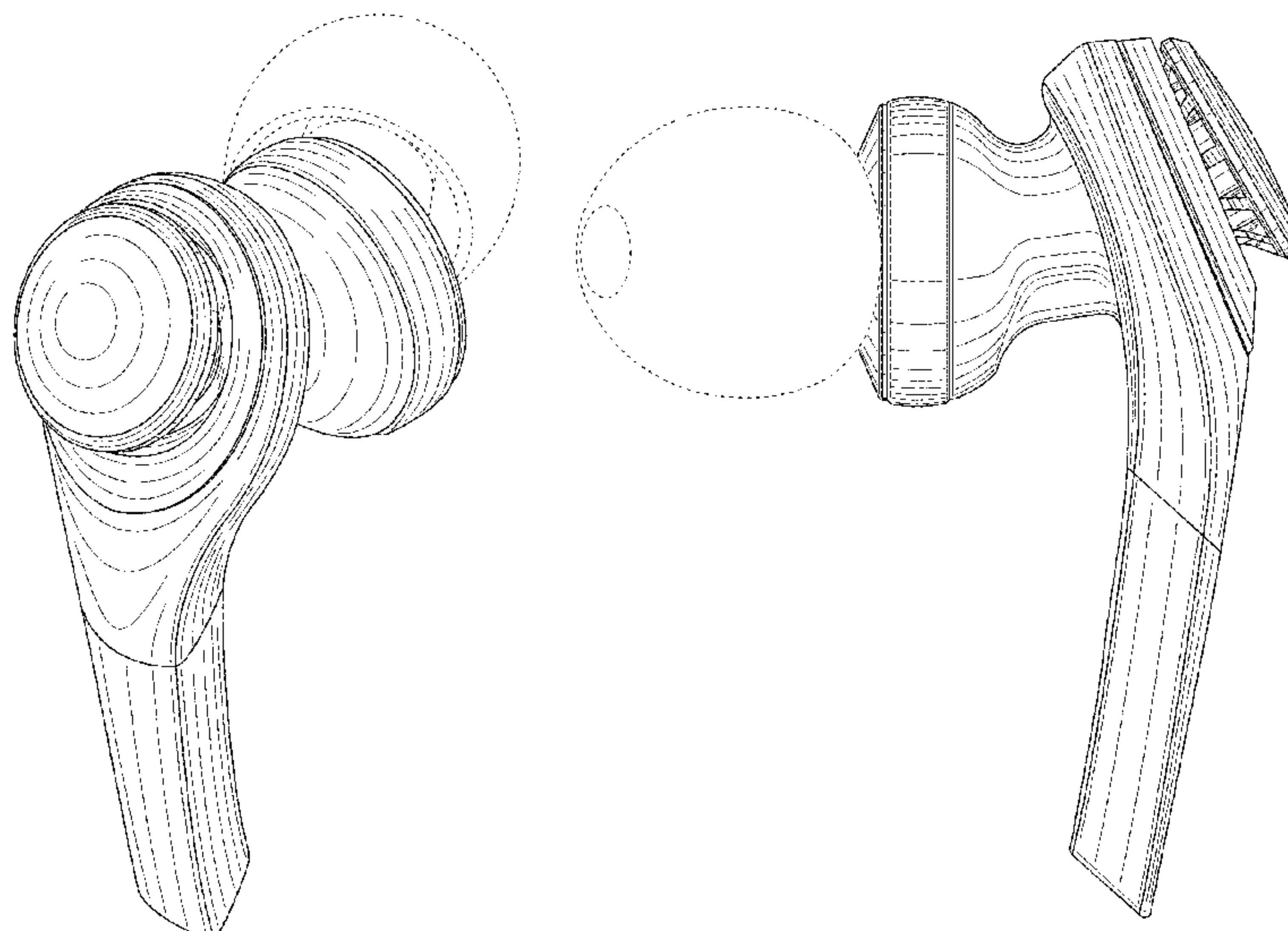
(57) **CLAIM**

We claim the ornamental design for an earphone, as shown and described.

**DESCRIPTION**

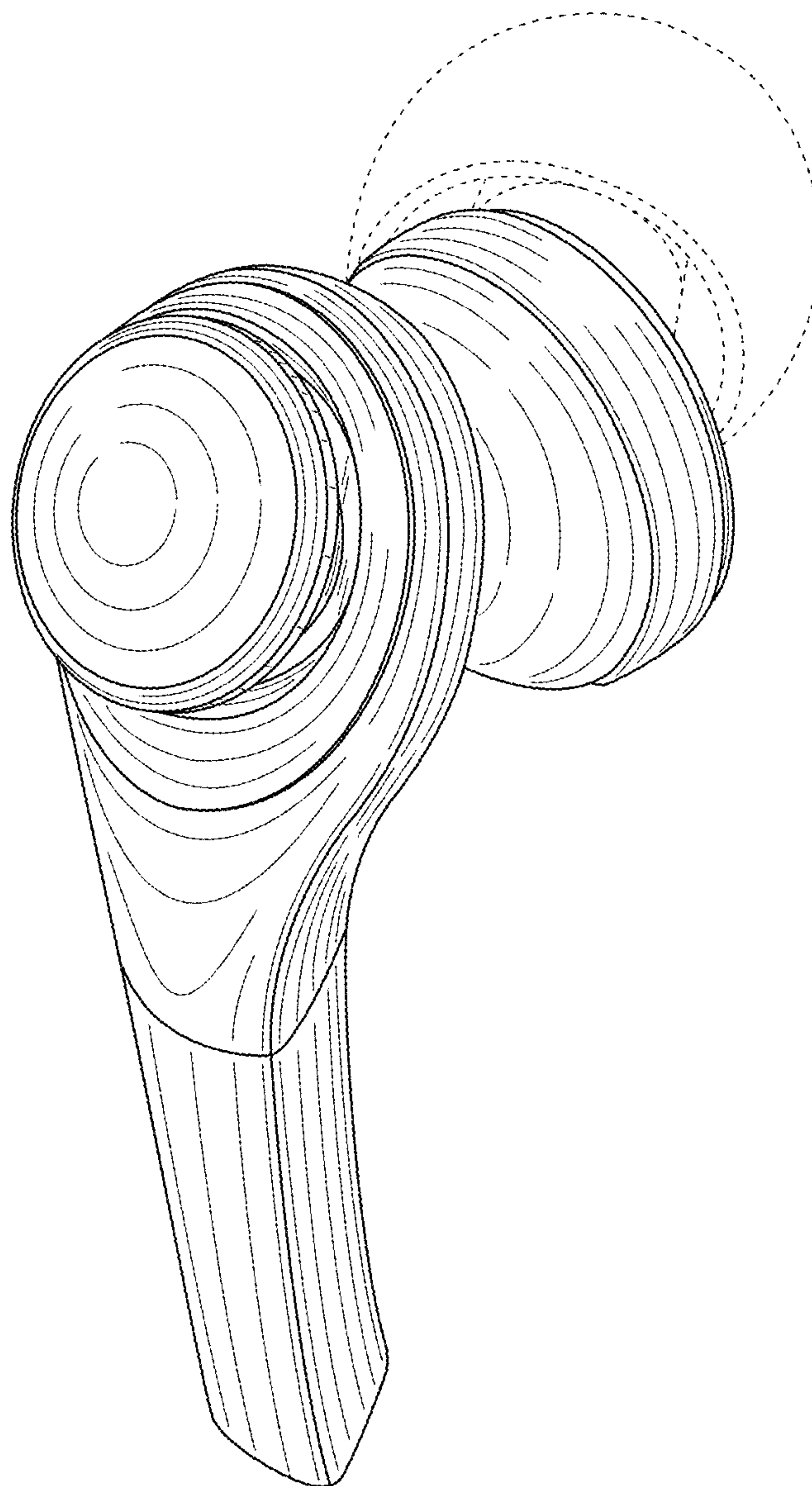
FIG. 1 is a first perspective view of an earphone; FIG. 2 is a second perspective view of the earphone; FIG. 3 is a front elevational view of the earphone; FIG. 4 is a rear elevational view of the earphone; FIG. 5 is a top plan view of the earphone; FIG. 6 is a bottom plan view of the earphone; FIG. 7 is a left side elevational view of the earphone; FIG. 8 is a right side elevational view of the earphone; FIG. 9 is a sectional view of the earphone taken along line 9-9 of FIG. 3 with internal system omitted; FIG. 10 is a sectional view of the earphone taken along line 10-10 of FIG. 8 with internal system omitted; and, FIG. 11 is a sectional view of the earphone taken along line 11-11 of FIG. 8 with internal system omitted. Portions of the drawings shown in broken lines form no part of the claimed design.

**1 Claim, 11 Drawing Sheets**

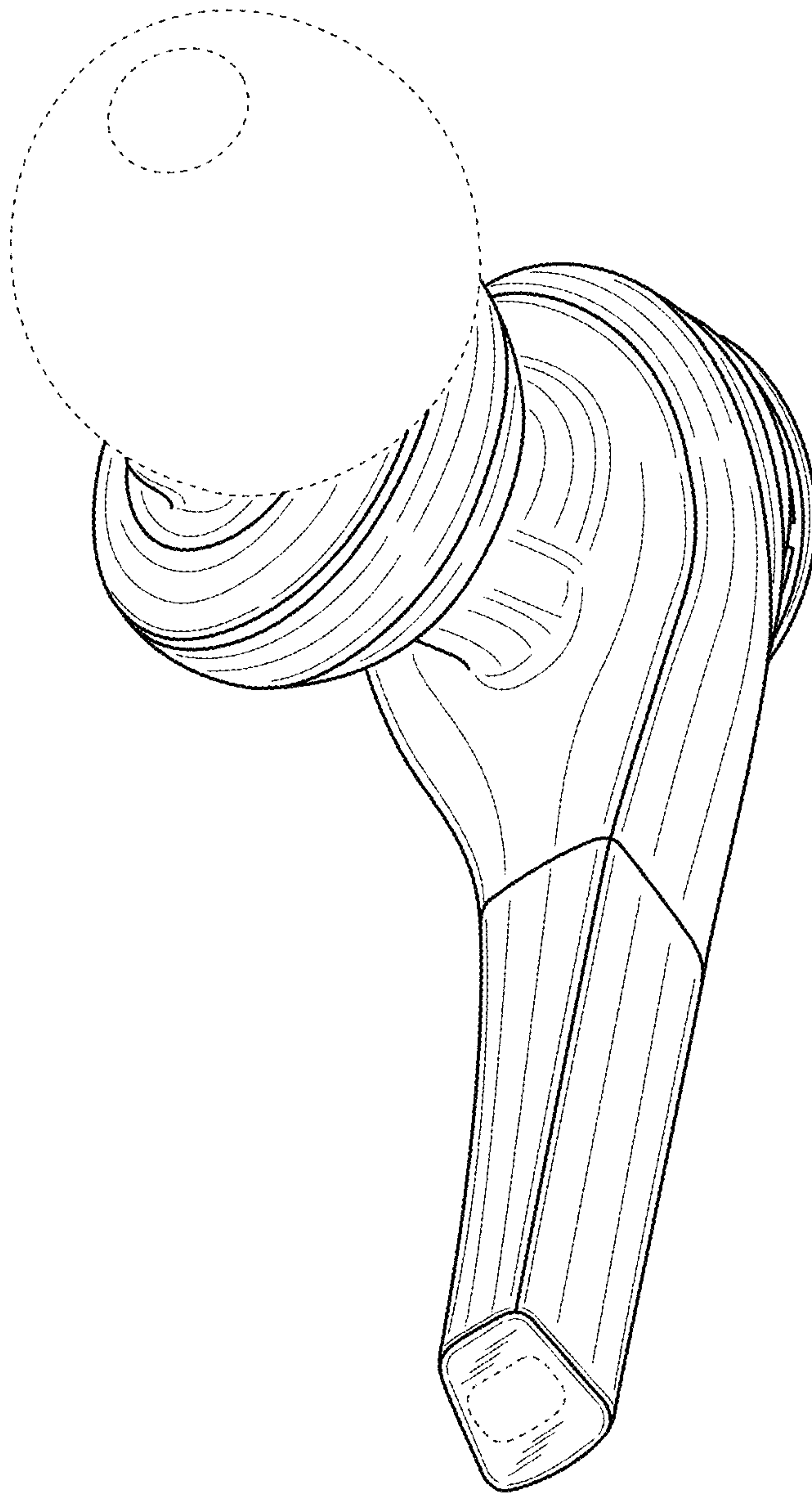




***FIG. 1***

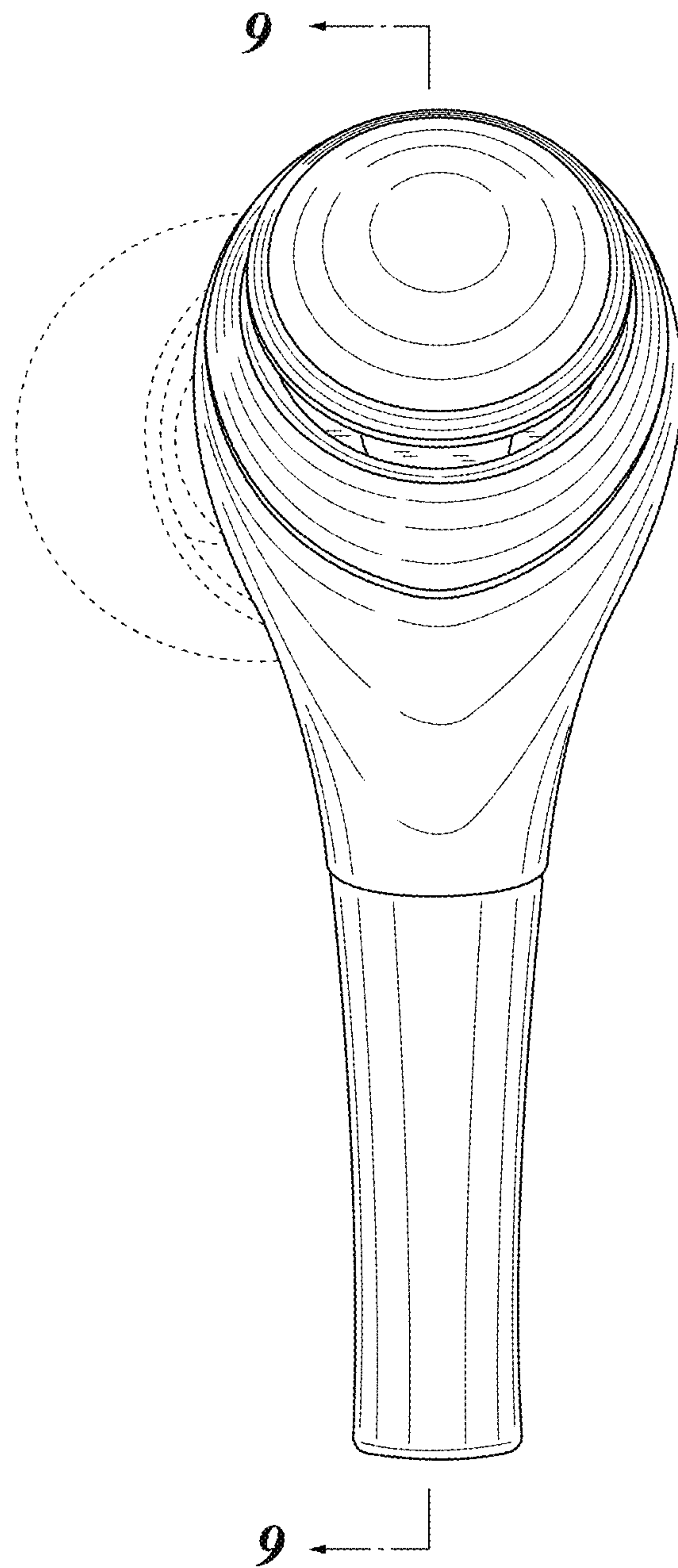


**FIG. 2**

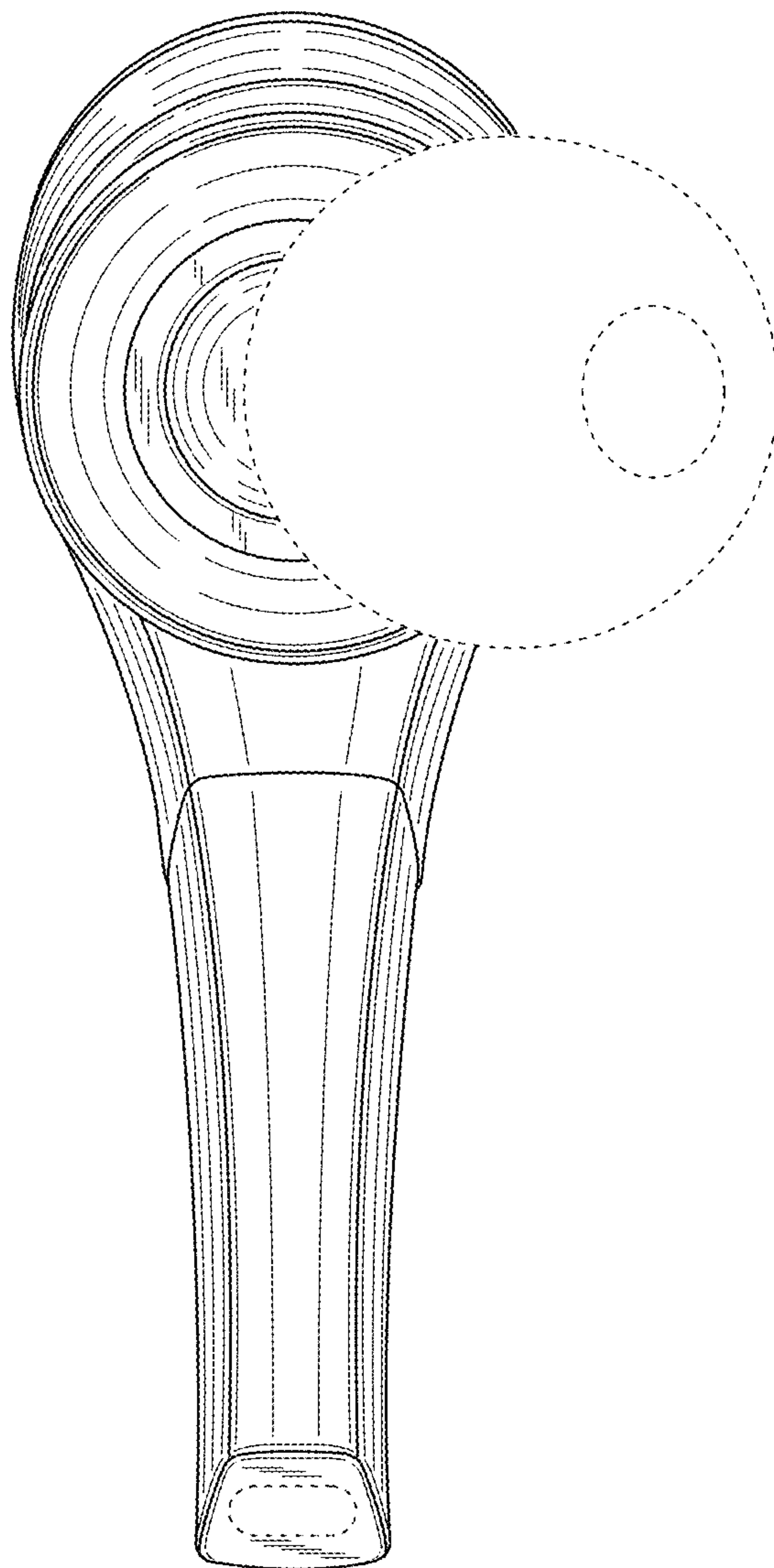




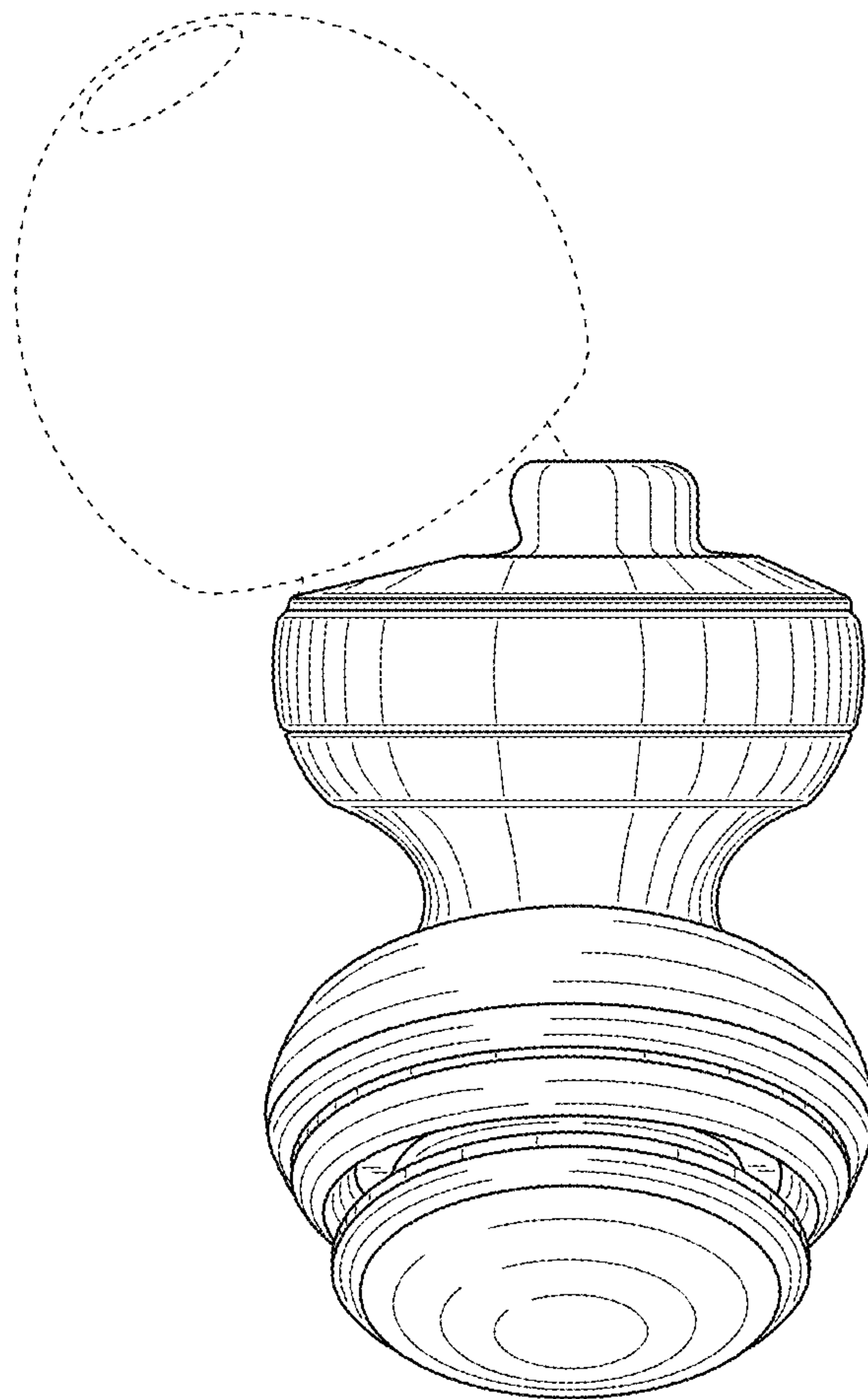
**FIG. 3**



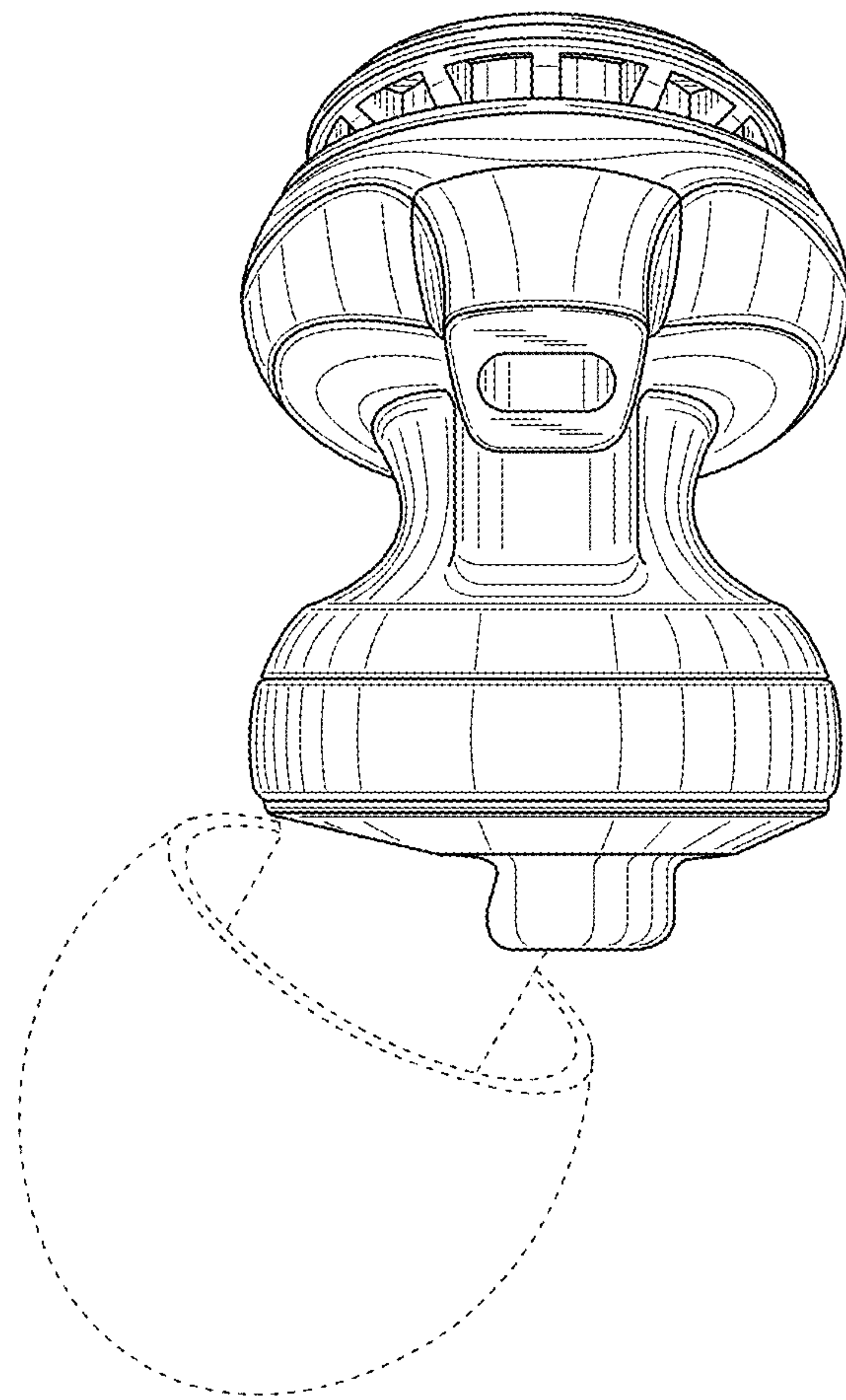
**FIG. 4**



**FIG. 5**

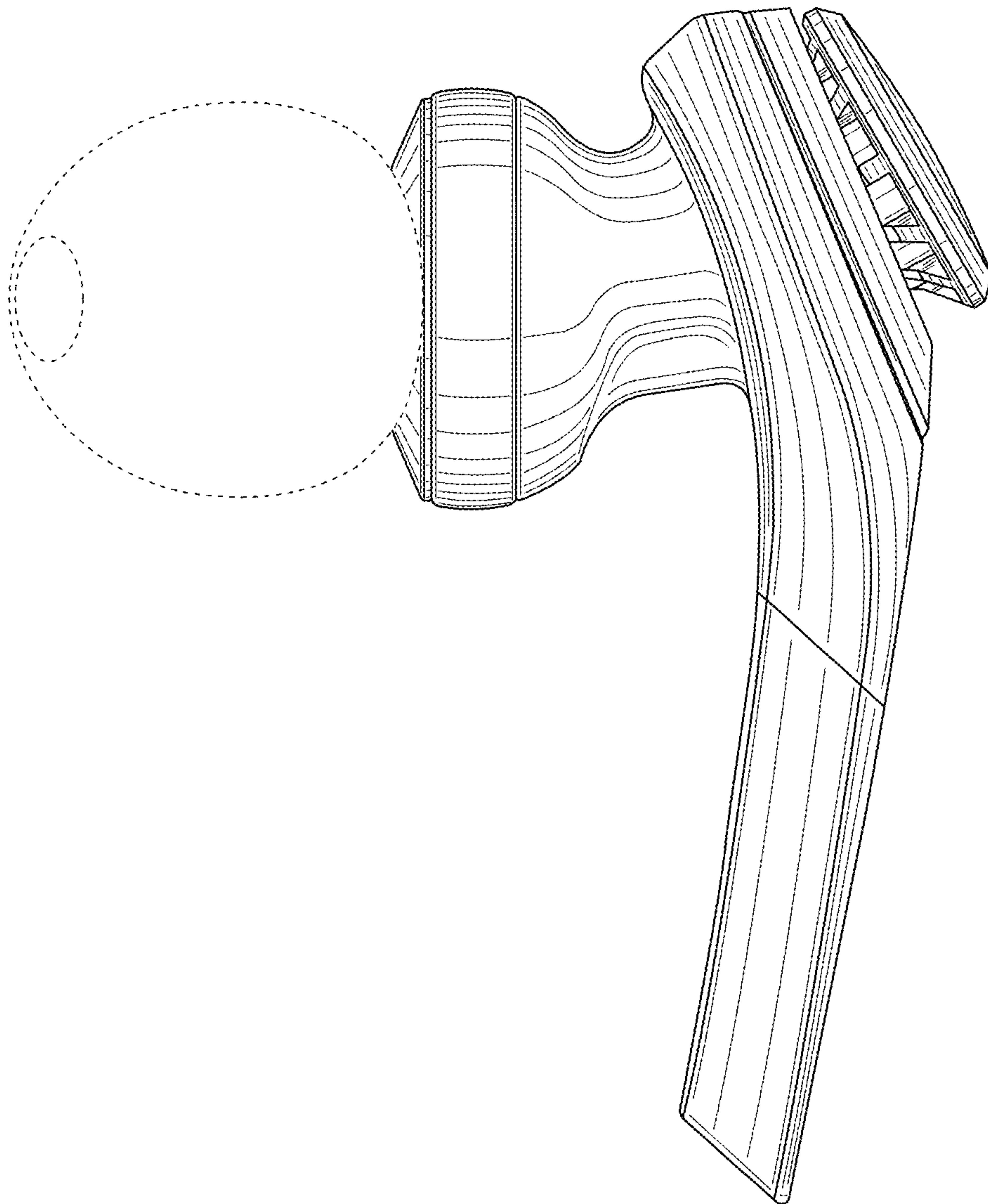


**FIG. 6**

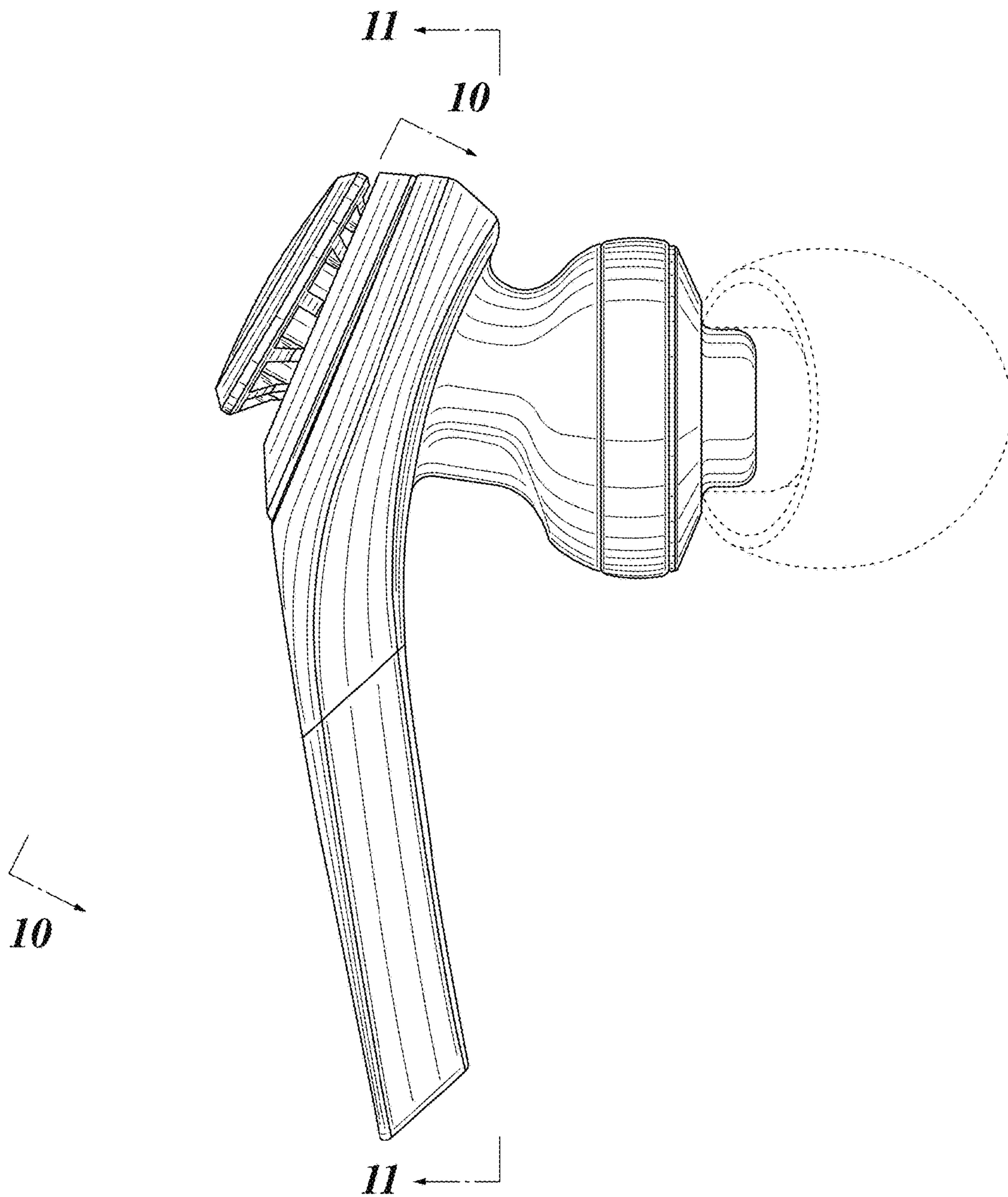




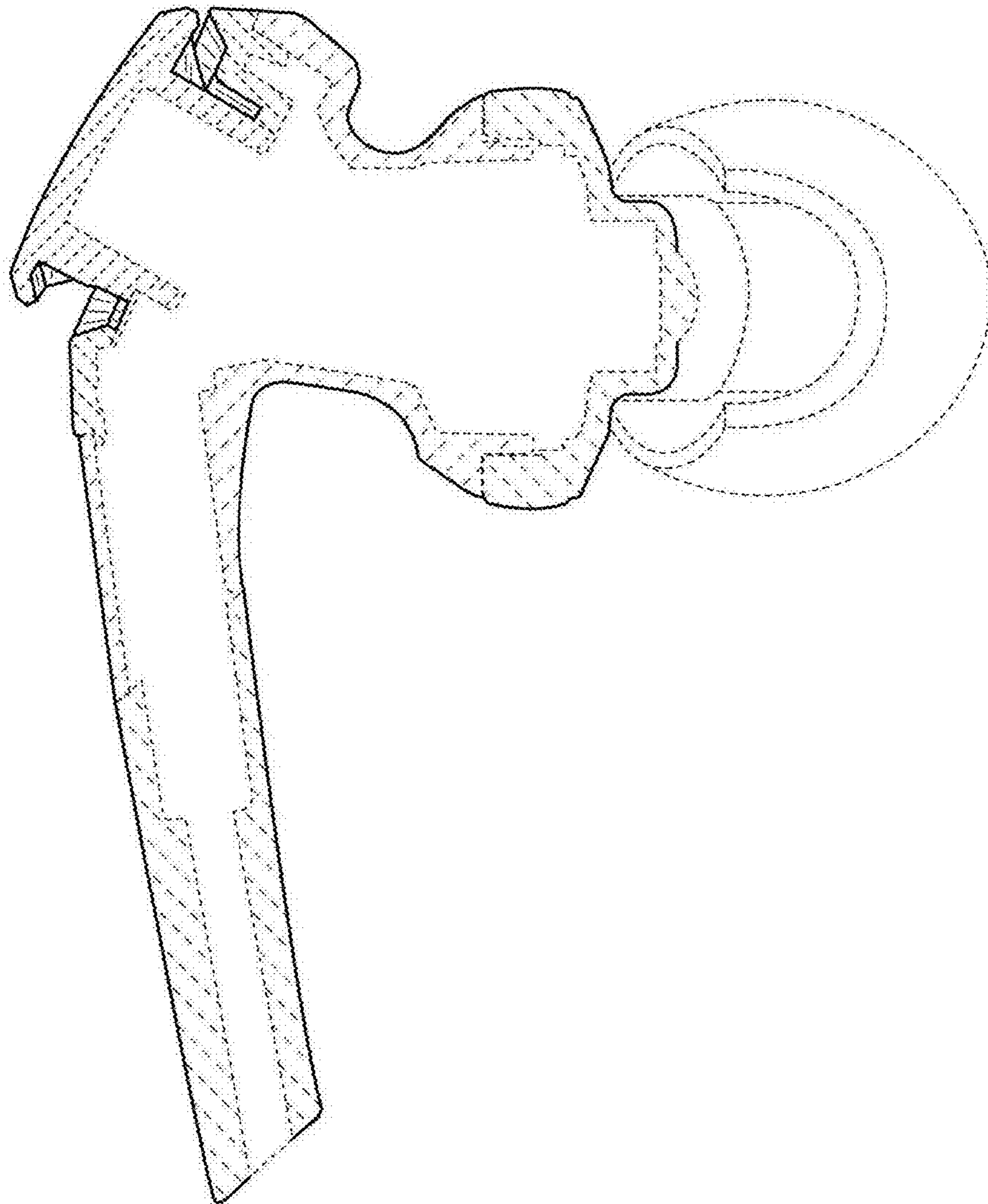
**FIG. 7**



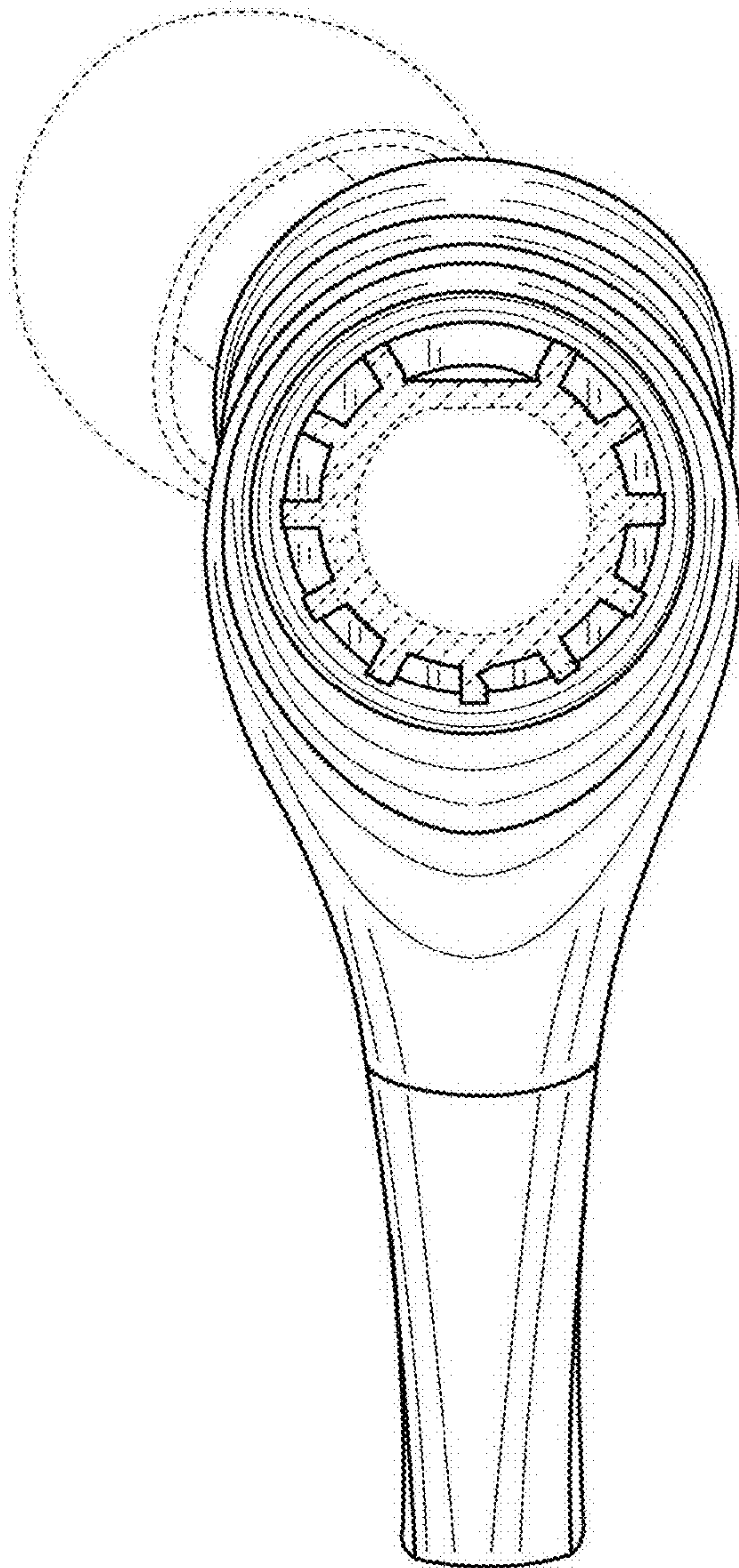
**FIG. 8**



**FIG. 9**



***FIG. 10***



***FIG. 11***

