



US00D784296S

(12) **United States Design Patent**  
**Katsuno**

(10) **Patent No.:** **US D784,296 S**

(45) **Date of Patent:** **\*\* Apr. 18, 2017**

(54) **REMOTE CONTROLLER FOR AUDIO APPARATUS**

(71) Applicant: **CLARION CO., LTD.**, Saitama (JP)

(72) Inventor: **Keita Katsuno**, Matsudo (JP)

(73) Assignee: **CLARION CO., LTD.**, Saitama (JP)

(\*\*) Term: **15 Years**

(21) Appl. No.: **29/556,450**

(22) Filed: **Mar. 1, 2016**

(30) **Foreign Application Priority Data**

Sep. 3, 2015 (JP) ..... 2015-019581

(51) **LOC (10) Cl.** ..... **14-03**

(52) **U.S. Cl.**  
USPC ..... **D14/218**; D14/247

(58) **Field of Classification Search**  
USPC ..... D14/137, 138, 139, 140, 174, 217–218,  
D14/240, 247, 388, 389, 390, 396, 511;  
D13/162, 163, 164, 168; D21/516, 517  
CPC ..... G08C 17/02; G08C 19/12; G08C 23/04  
See application file for complete search history.

(56) **References Cited**

**U.S. PATENT DOCUMENTS**

D489,051 S \* 4/2004 Shiraki ..... D14/217  
D528,528 S \* 9/2006 Moon ..... D14/138 G  
D529,465 S \* 10/2006 Kim ..... D14/138 AD  
D540,204 S \* 4/2007 Aguilar ..... D10/65  
D561,720 S \* 2/2008 Suk ..... D14/138 AA  
D562,794 S \* 2/2008 Kim ..... D14/138 AD  
D563,372 S \* 3/2008 Park ..... D14/138 AA  
D569,366 S \* 5/2008 Hsu ..... D14/138 AD  
D570,323 S \* 6/2008 Okada ..... D14/138 AD  
D574,806 S \* 8/2008 Lee ..... D14/138 AD

D575,761 S \* 8/2008 Kim ..... D14/138 AD  
D585,043 S \* 1/2009 Kwon ..... D14/138 AB  
D585,046 S \* 1/2009 Yamada ..... D14/138 AB  
D607,862 S \* 1/2010 Kim ..... D14/138 AD  
D624,071 S \* 9/2010 Dan ..... D14/341  
D630,193 S \* 1/2011 Bennett ..... D14/167  
D759,013 S \* 6/2016 Lessel ..... D14/367  
2007/0296704 A1 \* 12/2007 Park ..... G06F 3/0362  
345/169

**OTHER PUBLICATIONS**

<http://www.clarion.com/us/en/products-personal/multimedia/>—Retrieved Jan. 4, 2017.\*

<https://www.nh-car-audio.com/baja-boat-premium-audio/baja-boat-clarion-full-color-rear-controller/>—Published May 27, 2016.\*

\* cited by examiner

*Primary Examiner* — Manpreet Matharu

*Assistant Examiner* — Mojtaba Tehrani

(74) *Attorney, Agent, or Firm* — McDermott Will & Emery LLP

(57) **CLAIM**

The ornamental design for a remote controller for audio apparatus, as shown and described.

**DESCRIPTION**

FIG. 1 is a front view of a remote controller for audio apparatus showing my new design;

FIG. 2 is a rear view thereof;

FIG. 3 is a top view thereof;

FIG. 4 is a bottom view thereof;

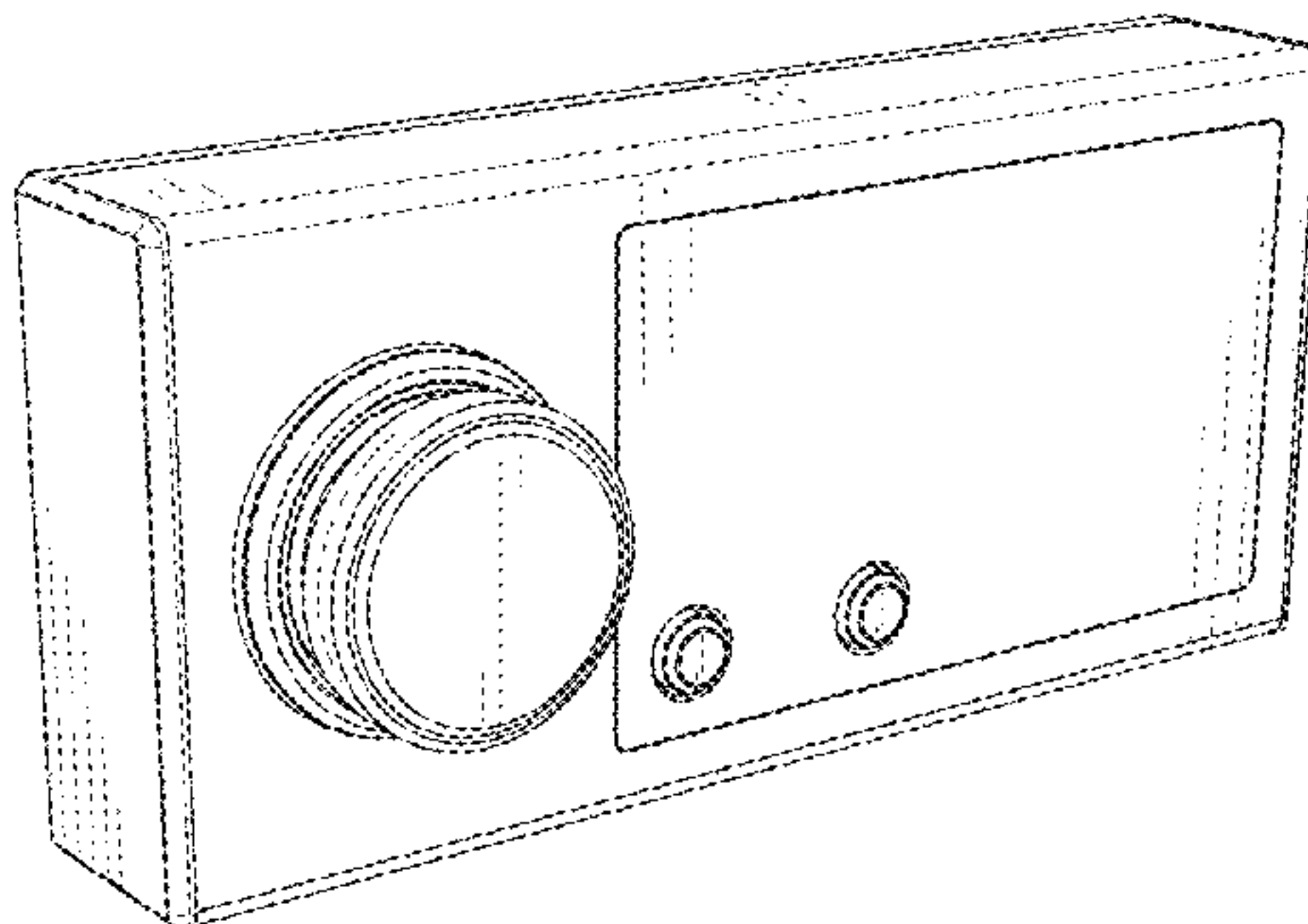
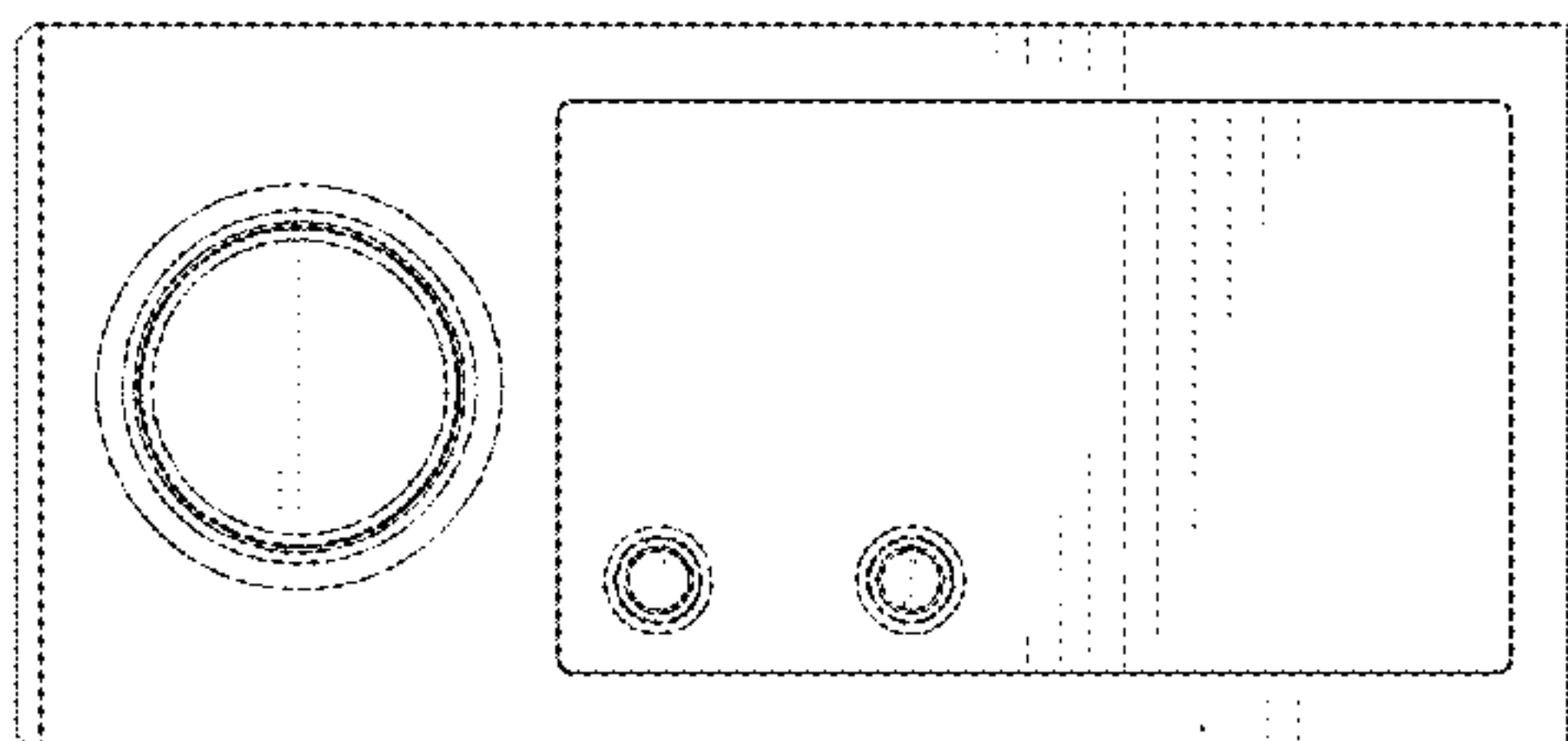
FIG. 5 is a left-side view thereof;

FIG. 6 is a right-side view thereof;

FIG. 7 is a first perspective view thereof; and,

FIG. 8 is a second perspective view thereof.

**1 Claim, 8 Drawing Sheets**



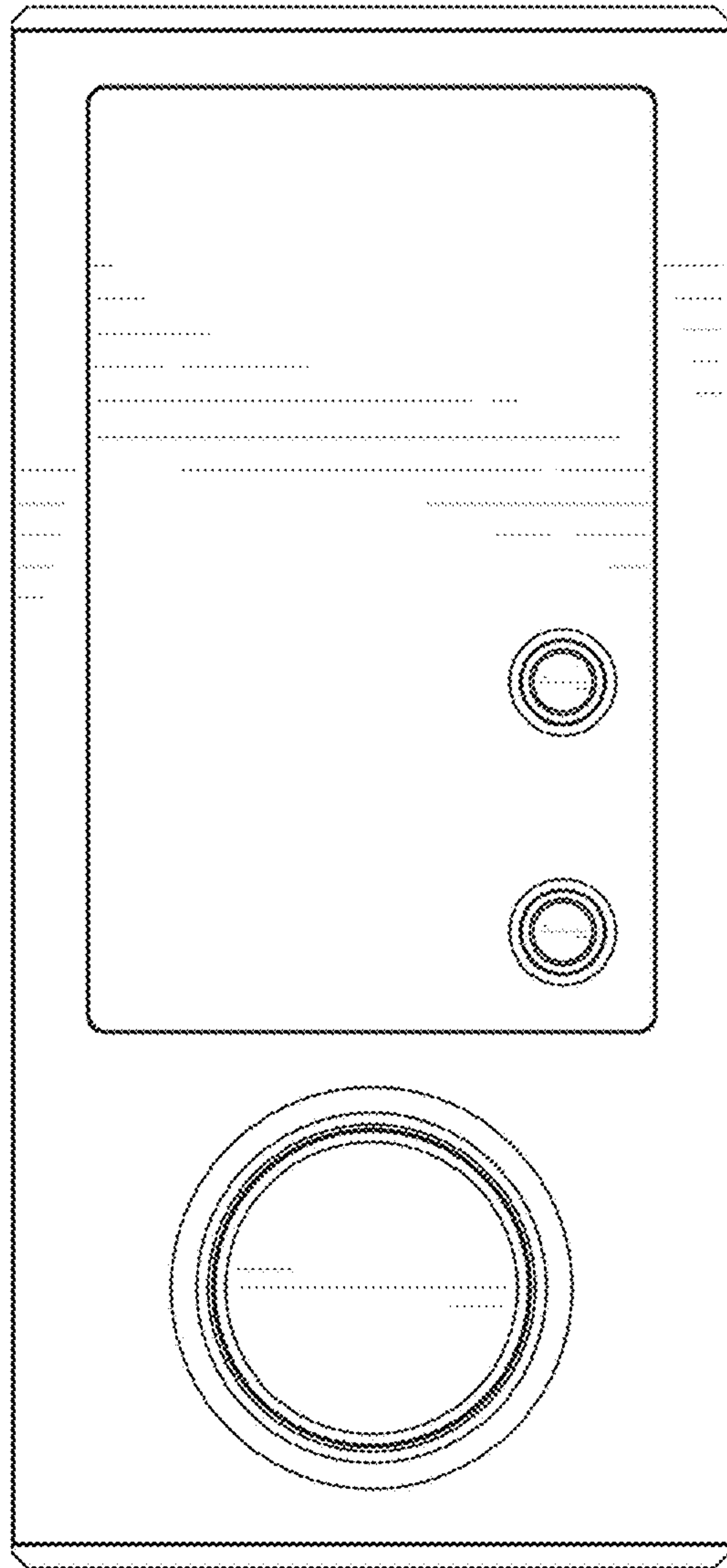


FIG. 1



FIG. 2

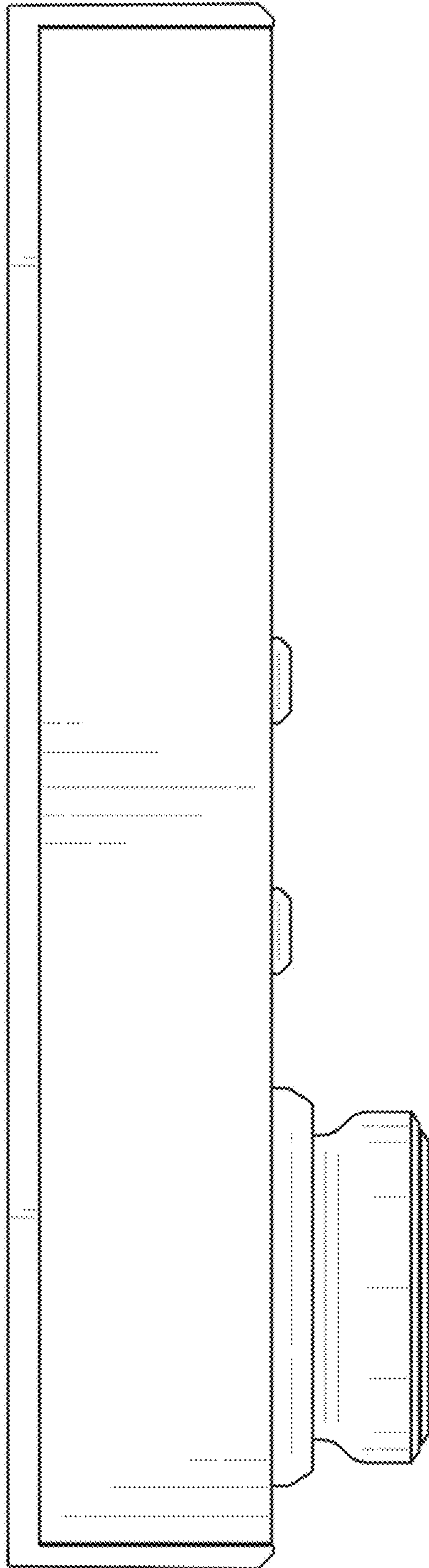


FIG. 3

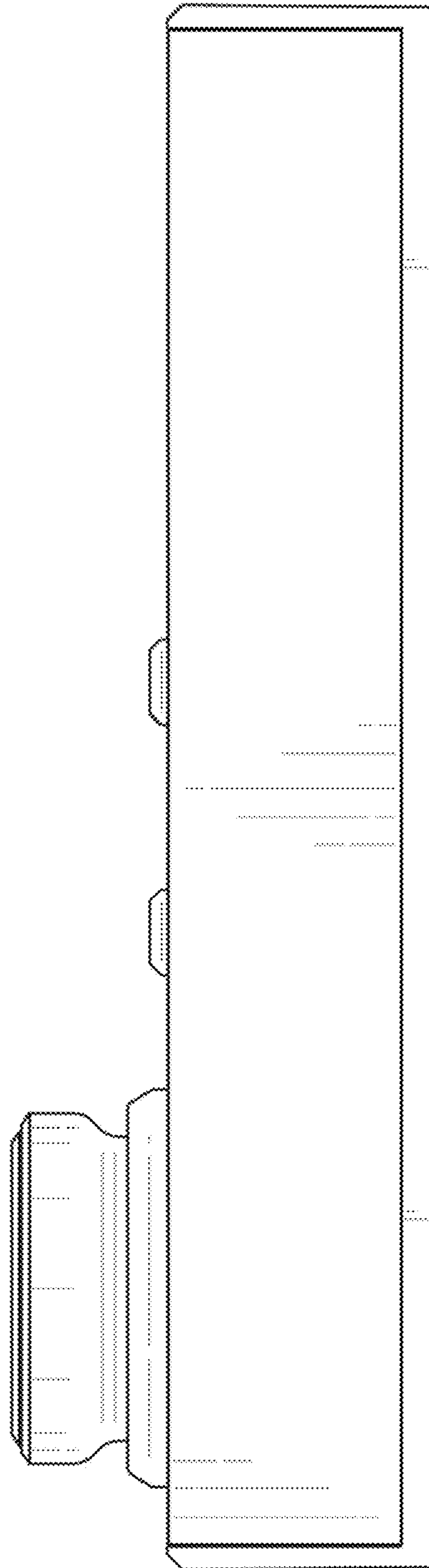


FIG. 4



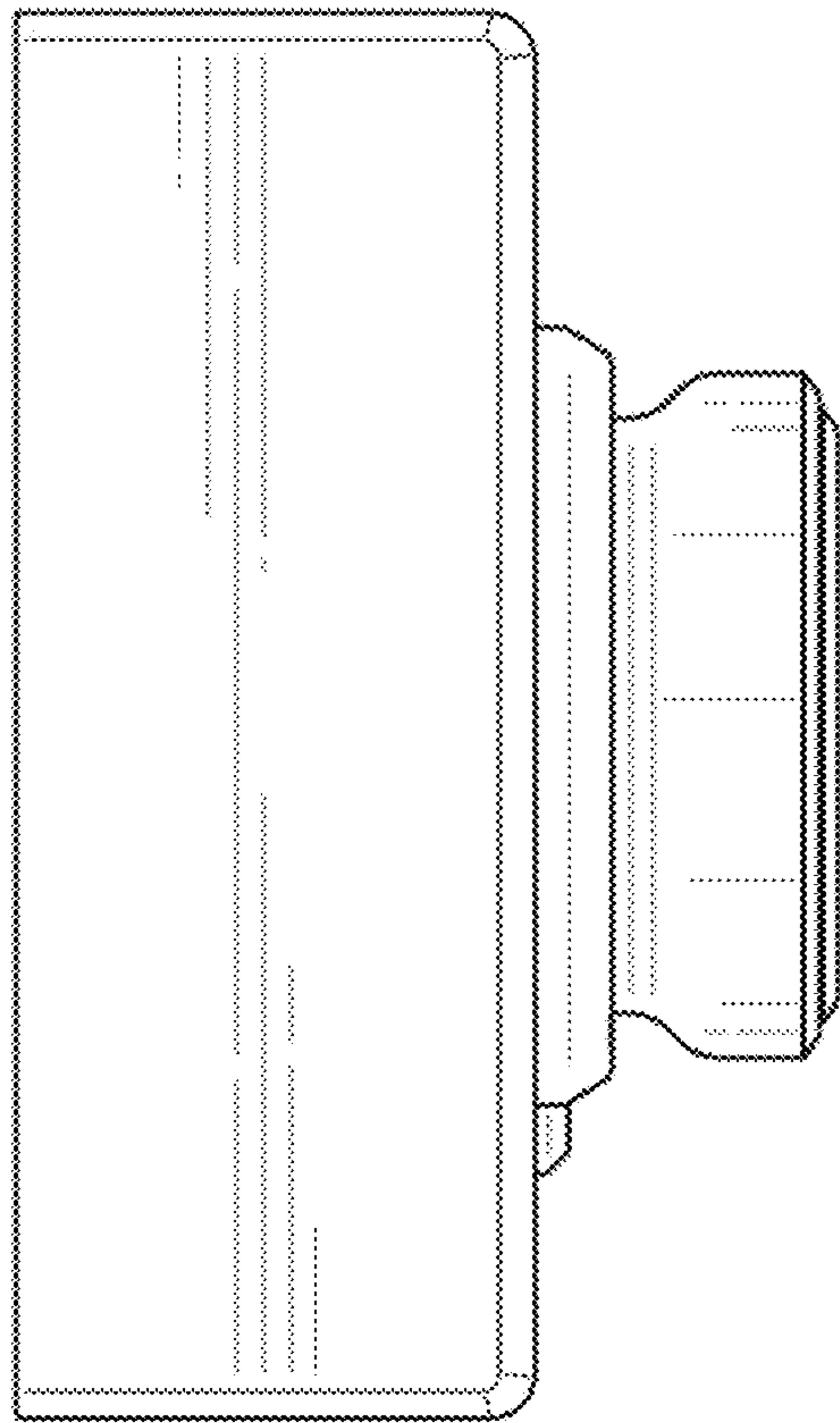


FIG. 5

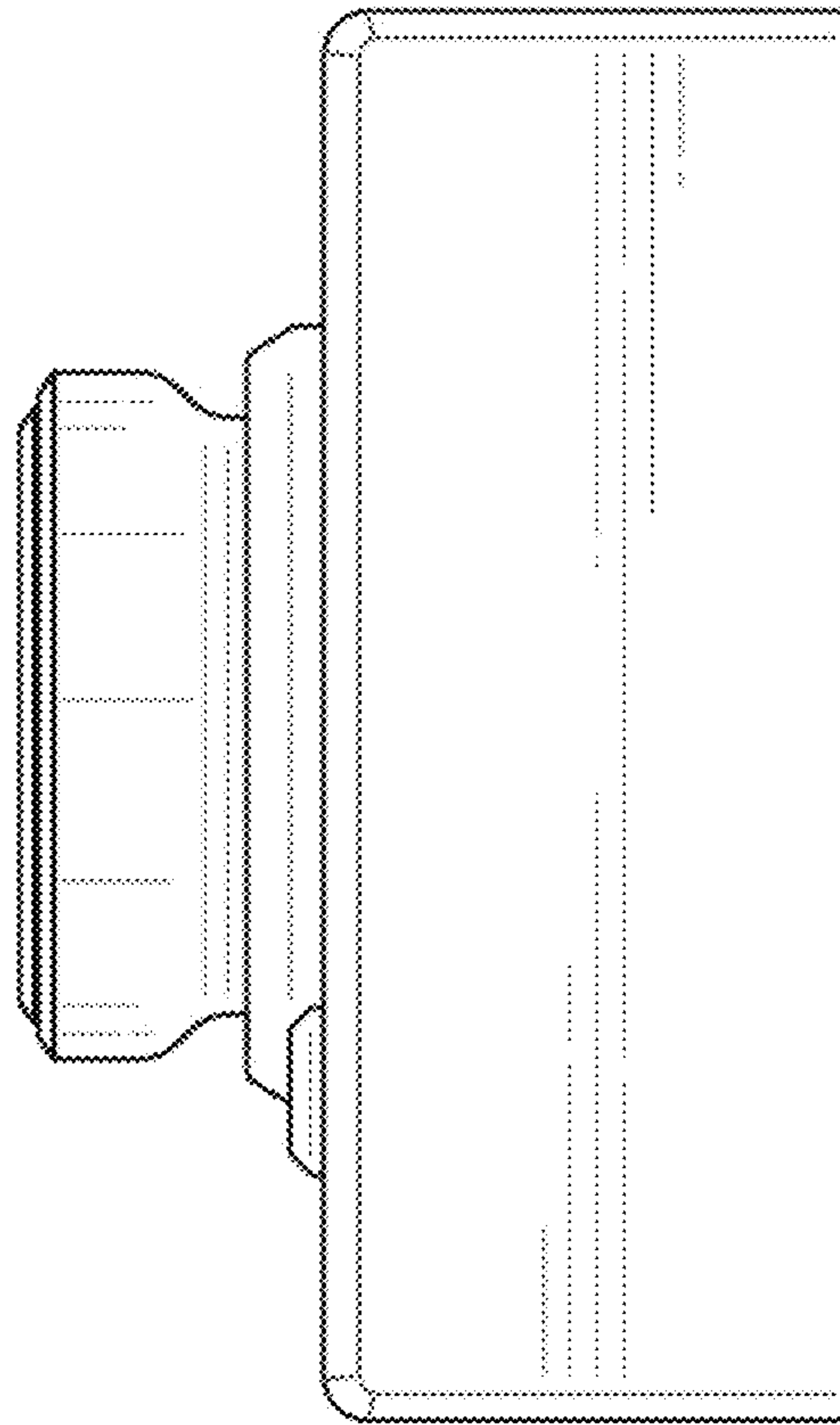


FIG. 6

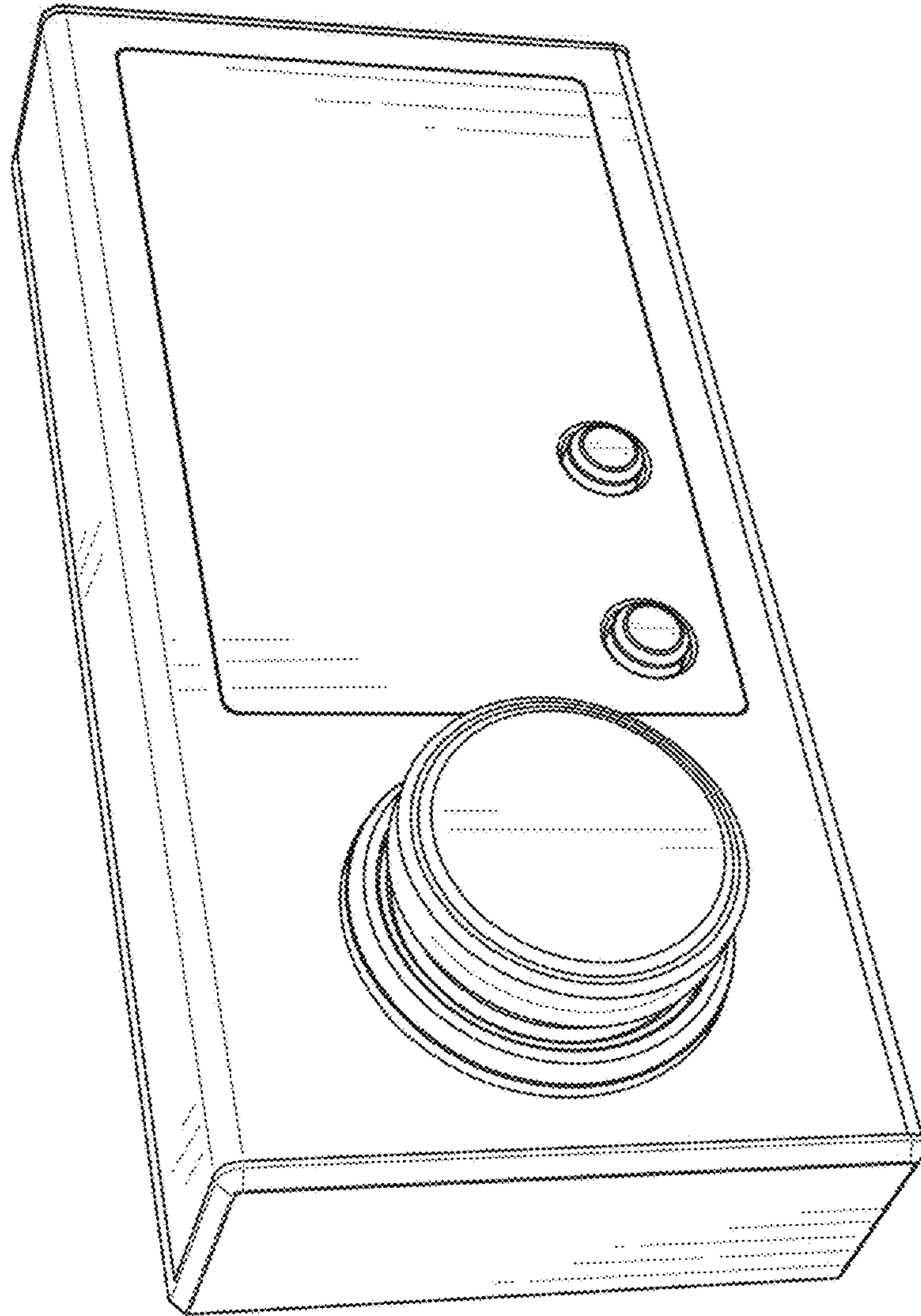


FIG. 7



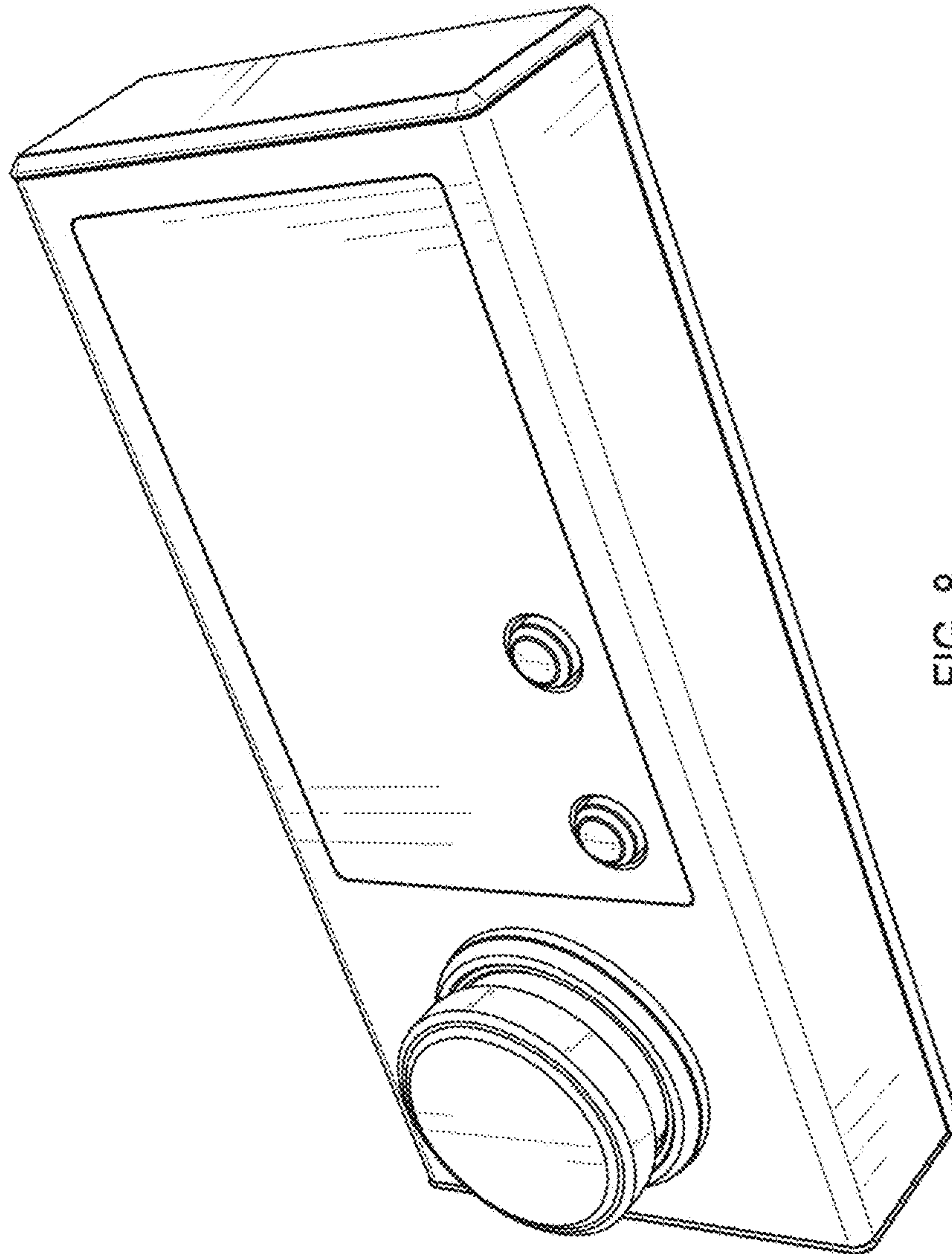


FIG. 8