



US00D784293S

(12) **United States Design Patent**
Kirkland

(10) **Patent No.:** **US D784,293 S**

(45) **Date of Patent:** **** Apr. 18, 2017**

- (54) **SPEAKER ENCLOSURE**
- (71) Applicant: **Gerald Kirkland**, Kaufman, TX (US)
- (72) Inventor: **Gerald Kirkland**, Kaufman, TX (US)
- (**) Term: **15 Years**
- (21) Appl. No.: **29/535,926**
- (22) Filed: **Aug. 11, 2015**
- (51) **LOC (10) Cl.** **14-01**
- (52) **U.S. Cl.**
USPC **D14/214**
- (58) **Field of Classification Search**
USPC D14/221, 204, 207, 208, 210–215, 216,
D14/172, 168, 209, 209.1, 225–229;
181/143–144, 147, 148, 150–153, 157,
181/198–199, 149; 381/300–303, 306,
381/332–333, 336, 345, 361–364, 386,
381/397, 388
CPC ... H05K 5/00; H04R 5/00; H04R 1/02; H04R
1/28
See application file for complete search history.

- 4,582,162 A * 4/1986 Katsuno B60R 11/0217
181/141
 - D314,546 S * 2/1991 Insaurralde D14/210
 - D319,239 S * 8/1991 Kovner D14/204
 - D336,088 S * 6/1993 Fisher D14/204
 - D348,659 S * 7/1994 Miller D14/461
 - D350,135 S * 8/1994 Polk, Jr. D14/204
 - 5,590,771 A * 1/1997 Cota A45C 9/00
190/102
 - 5,818,942 A * 10/1998 Freadman G06F 1/1605
181/145
 - D432,115 S * 10/2000 Juskiewicz D14/204
 - D535,976 S * 1/2007 Ng D14/214
 - D540,307 S * 4/2007 Han D14/211
- (Continued)

Primary Examiner — Paula Greene
 (74) *Attorney, Agent, or Firm* — William R. Lovin;
 William Lovin & Assoc., LLC

(57) **CLAIM**

The ornamental design for a speaker enclosure, as shown and described.

DESCRIPTION

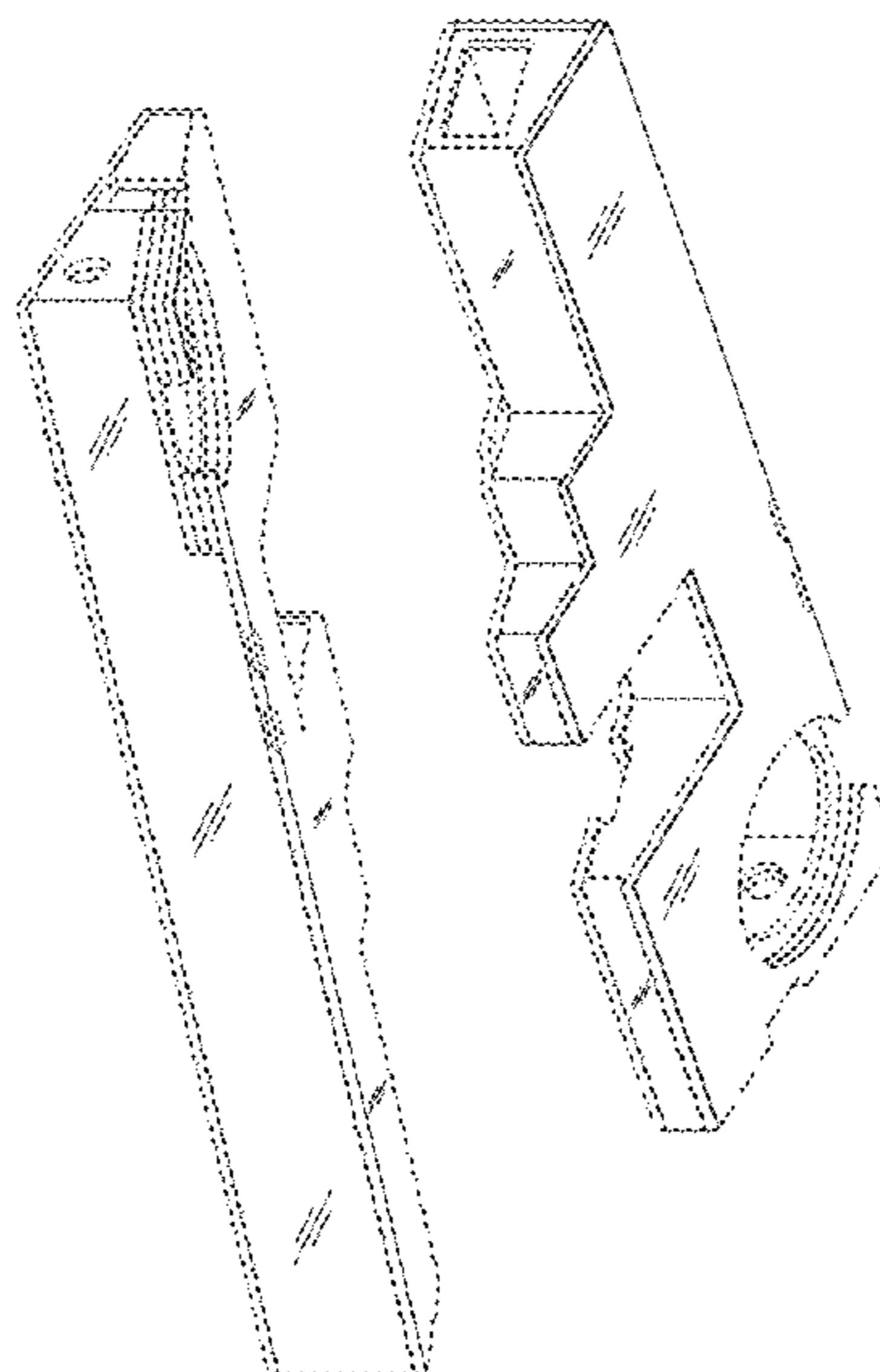
FIG. 1 is a view of the right end of the speaker enclosure.
 FIG. 2 is a view of the rear of the speaker enclosure.
 FIG. 3 is a view of the bottom of the speaker enclosure.
 FIG. 4 is a view of the left end of the speaker enclosure.
 FIG. 5 is a view of the front of the speaker enclosure.
 FIG. 6 is a view of the top of the speaker enclosure.
 FIG. 7 is a right end-top-front view of the speaker enclosure.
 FIG. 8 is a left end-bottom-front view of the speaker enclosure.
 FIG. 9 is a right end-bottom-front view of the speaker enclosure; and,
 FIG. 10 is a left end-top-front view of the speaker enclosure.
 The broken lines depict environment that forms no part of the claimed design.

1 Claim, 4 Drawing Sheets

(56) **References Cited**

U.S. PATENT DOCUMENTS

- 2,036,832 A * 4/1936 Scheldorf H04R 1/02
181/145
- D120,157 S * 4/1940 Giannini D14/229
- D180,912 S * 9/1957 Mossington D14/214
- 3,101,810 A * 8/1963 Doschek H04R 1/2811
181/199
- 3,122,215 A * 2/1964 Sutton H04R 1/2857
181/160
- D242,853 S * 12/1976 Dixon D12/114
- 4,073,365 A * 2/1978 Johnson H04R 1/323
181/147
- D250,711 S * 1/1979 Persson D12/412
- 4,580,653 A * 4/1986 Owens B60R 11/0217
181/141



(56)

References Cited

U.S. PATENT DOCUMENTS

D568,869	S *	5/2008	Anthony	D14/214
D568,870	S *	5/2008	Anthony	D14/214
D573,133	S *	7/2008	Milks	D14/214
D573,134	S *	7/2008	Milks	D14/214
D636,757	S *	4/2011	Yoshiizumi	D14/214
D641,338	S *	7/2011	Chen	D14/209.1
D653,239	S *	1/2012	Kim	D14/215
D659,677	S *	5/2012	Kim	D14/214
D672,333	S *	12/2012	Lin	D14/212
8,528,690	B1 *	9/2013	Wu	G10K 11/025 181/152
D690,679	S *	10/2013	Chang	D14/204
D692,860	S *	11/2013	Paterson	D14/214
8,938,083	B2 *	1/2015	Liang	H04R 1/025 181/199
D727,874	S *	4/2015	Christner	D14/210

* cited by examiner

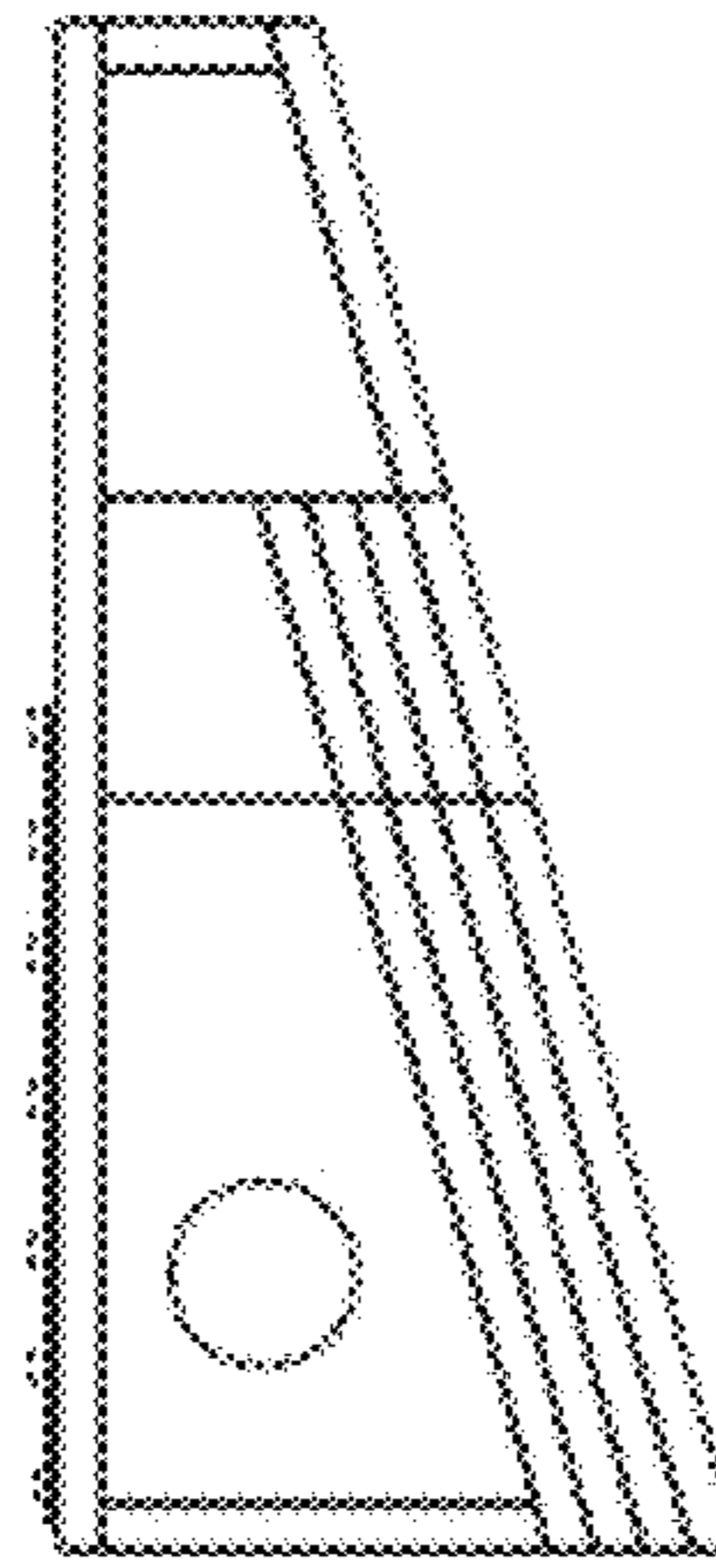
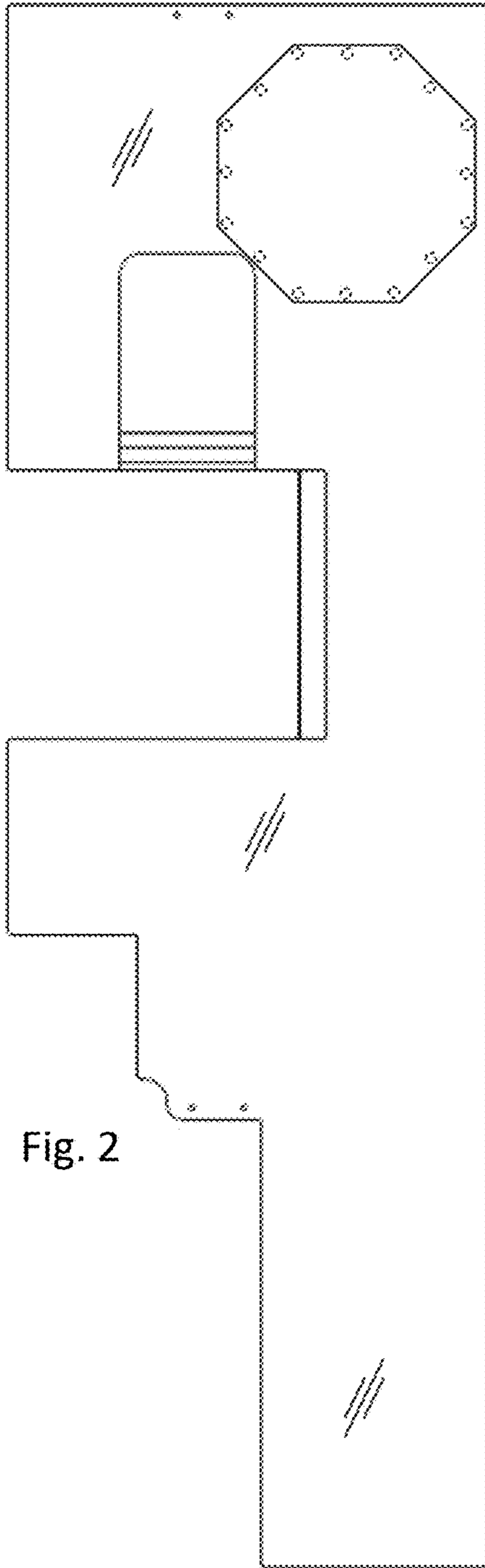


Fig. 1

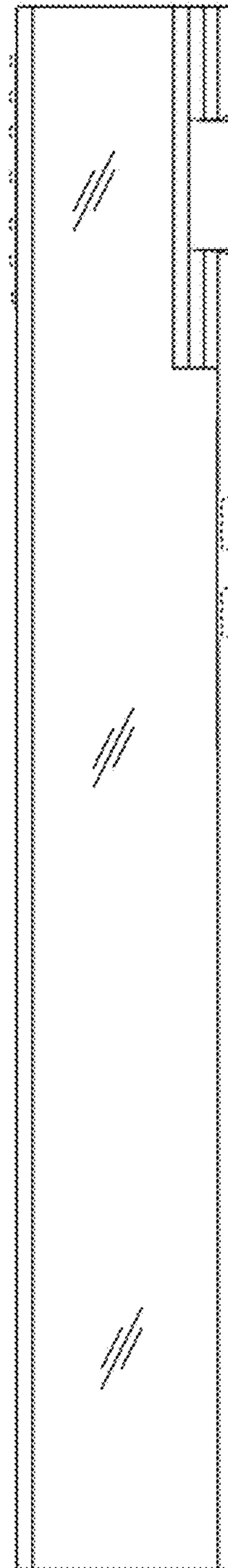


Fig. 3

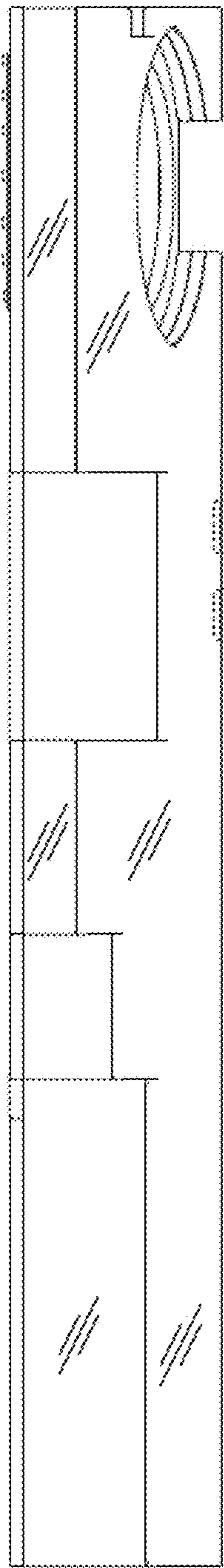


Fig. 6

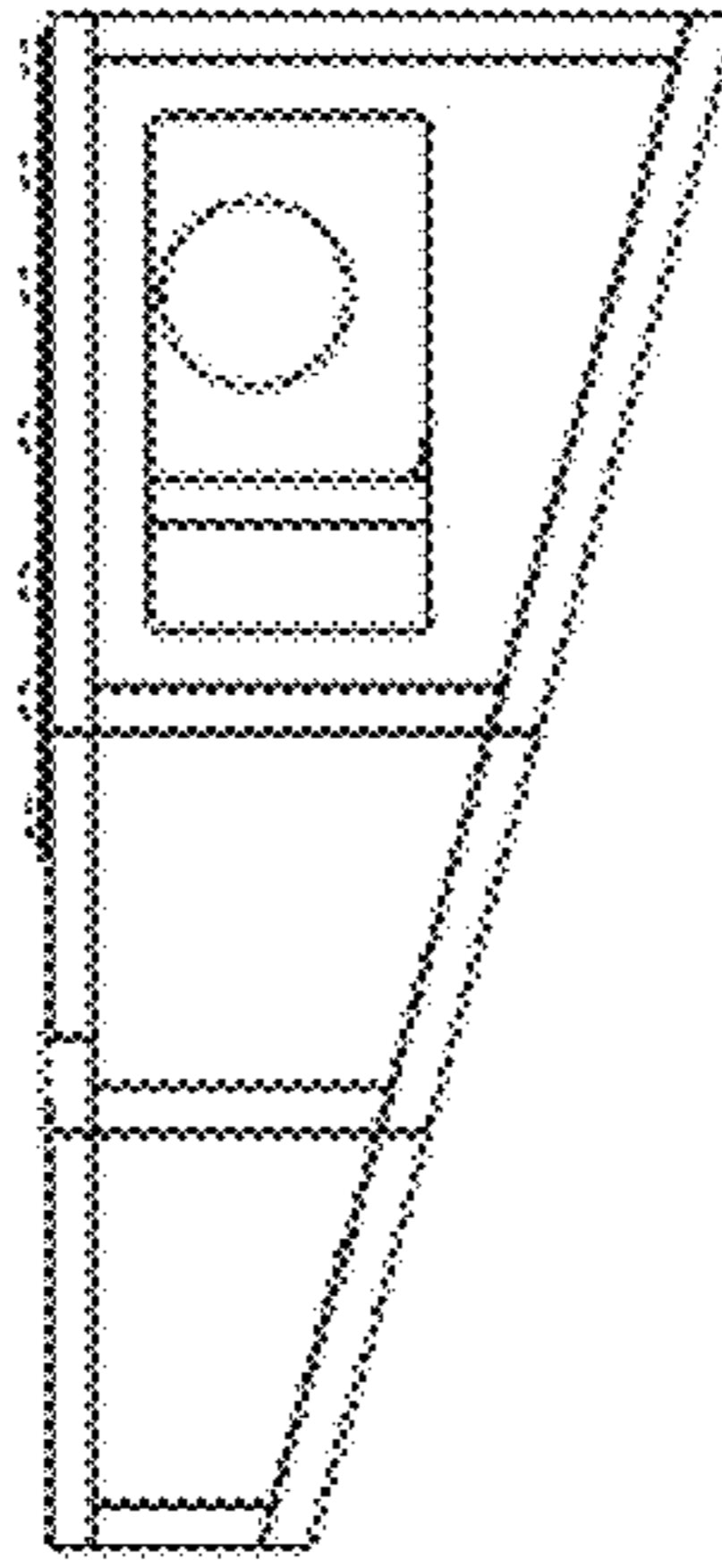


Fig. 4

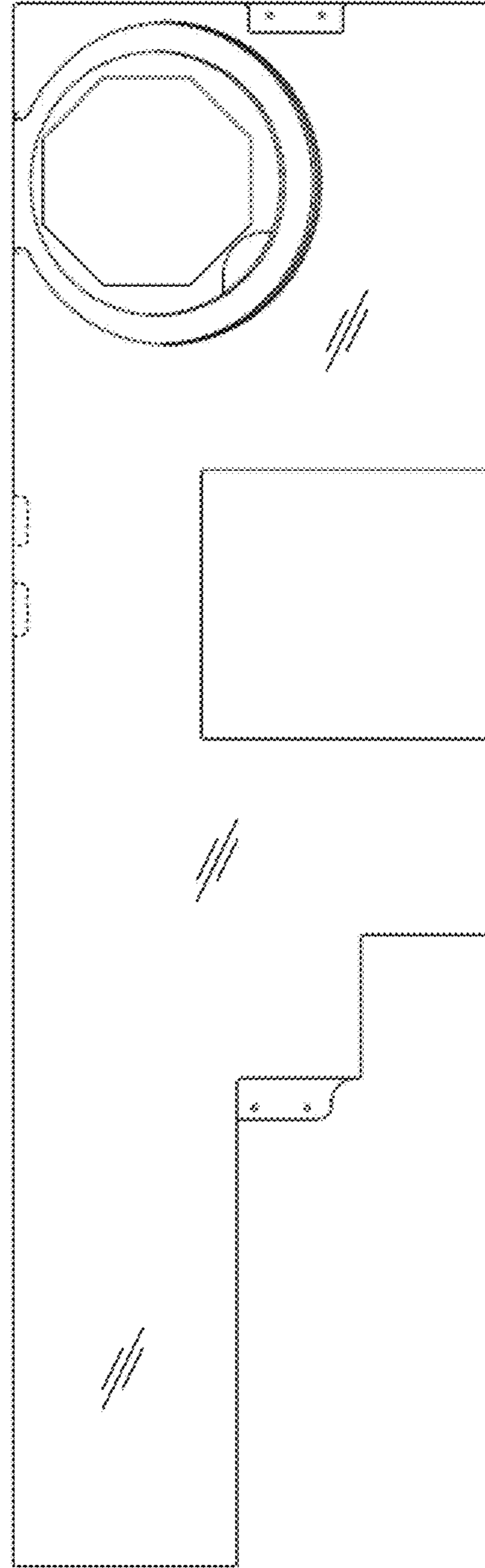
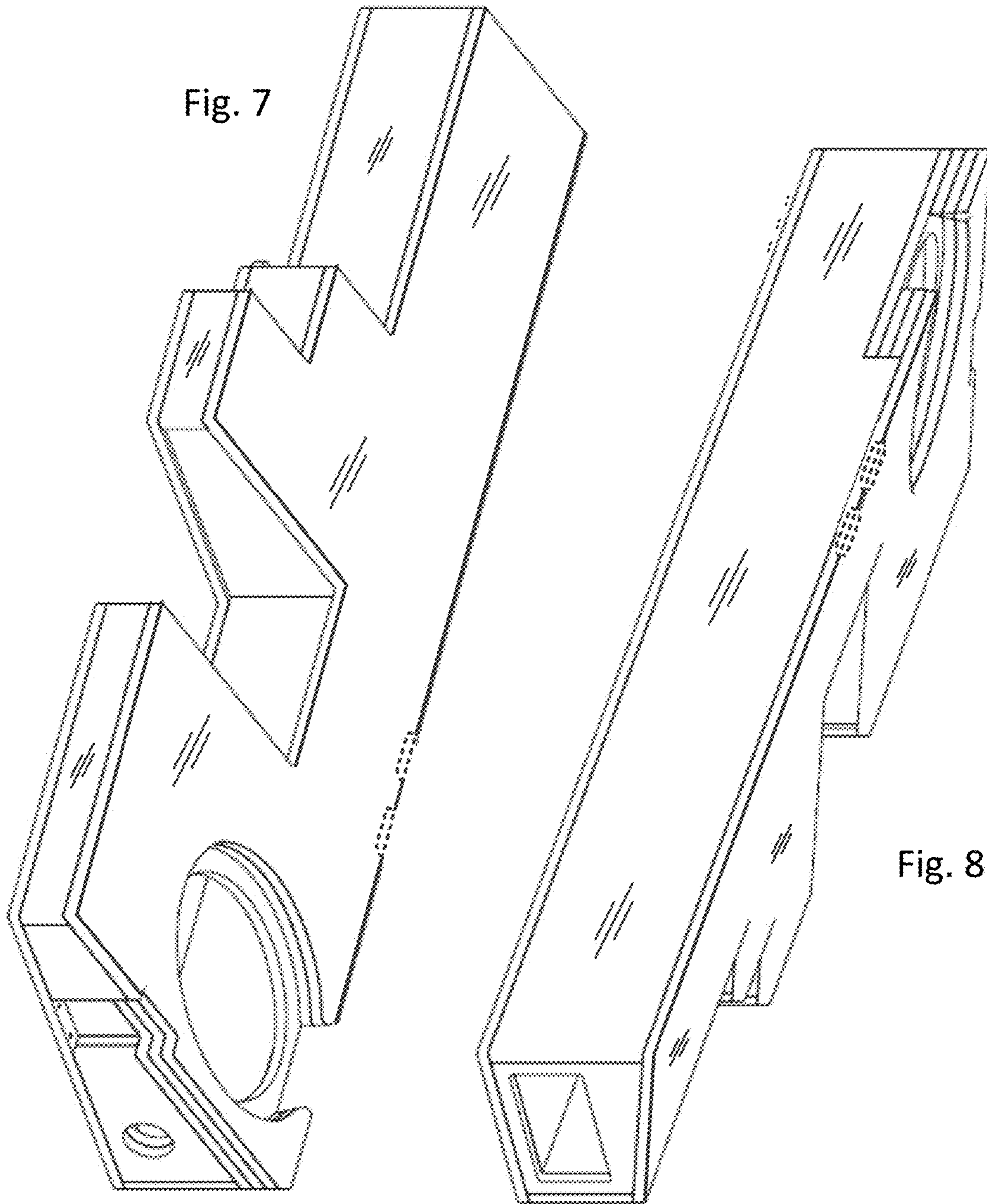


Fig. 5



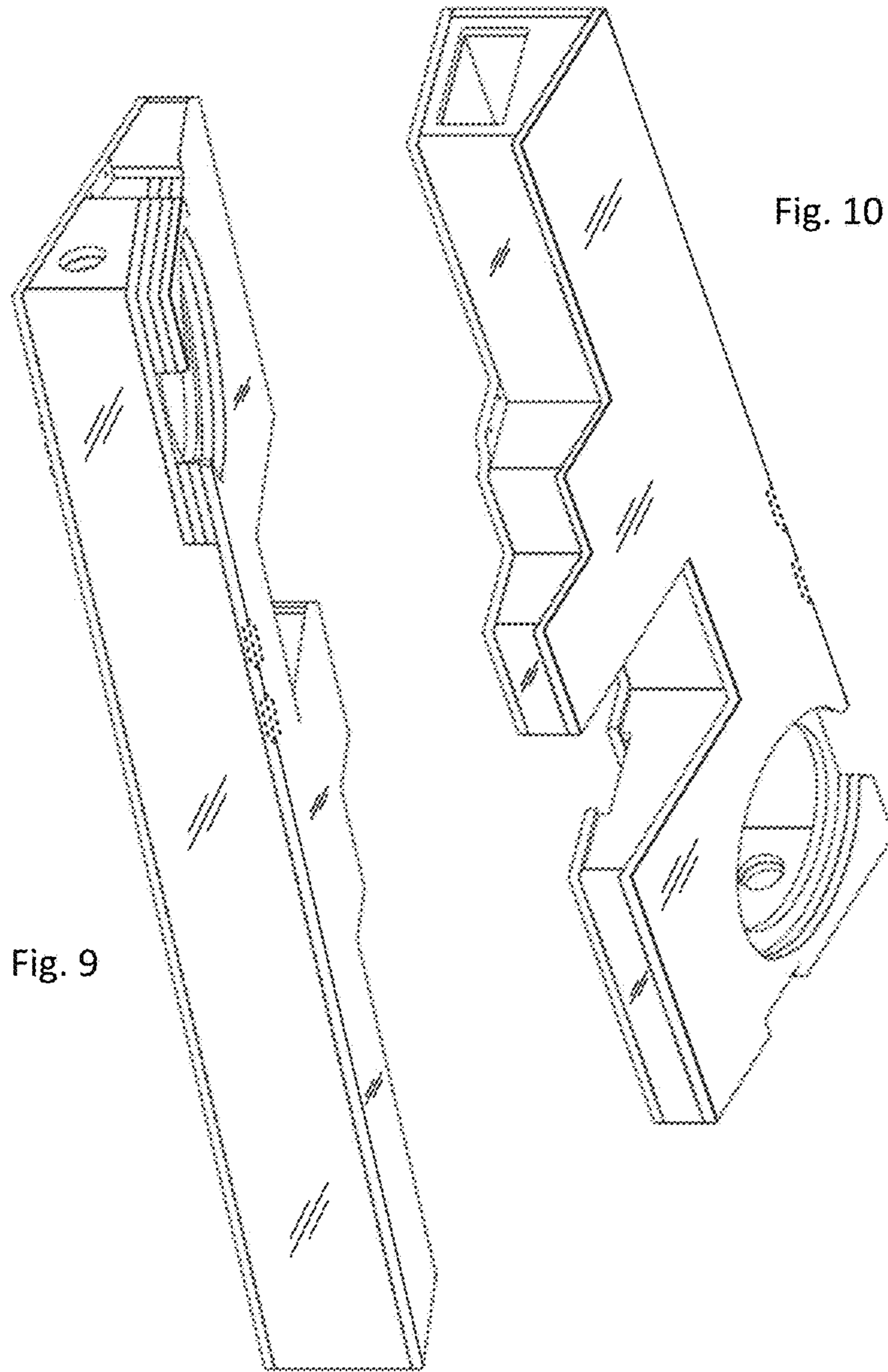


Fig. 9

Fig. 10