



US00D784291S

(12) **United States Design Patent**  
**Paterson**

(10) **Patent No.:** **US D784,291 S**  
(45) **Date of Patent:** **\*\* Apr. 18, 2017**

(54) **COMMUNICATIONS HEADSET**

(71) Applicant: **Plantronics, Inc.**, Santa Cruz, CA (US)

(72) Inventor: **Nicholas W Paterson**, Santa Cruz, CA (US)

(73) Assignee: **Plantronics, Inc.**, Santa Cruz, CA (US)

(\*\*) Term: **15 Years**

(21) Appl. No.: **29/547,974**

(22) Filed: **Dec. 9, 2015**

(51) **LOC (10) Cl.** ..... **14-01**

(52) **U.S. Cl.**  
USPC ..... **D14/206**

(58) **Field of Classification Search**

USPC ..... D14/206, 205, 223, 225, 226; D24/174;  
181/129, 130, 135; 379/430, 431;  
381/380, 381, 74, 322, 330; 455/90.3,  
455/575.1

CPC . H04R 25/00; H04R 1/10; H04R 1/05; H04R  
1/1066; H04R 1/1016; H04R 5/033;  
H04R 5/0335

See application file for complete search history.

(56) **References Cited**

**U.S. PATENT DOCUMENTS**

D179,150 S	11/1956	Norris	
3,101,155 A	8/1963	Hehr et al.	
3,209,080 A	9/1965	Guttner et al.	
3,475,566 A *	10/1969	Bauer	H01H 19/62 381/322
3,491,214 A *	1/1970	Rosemond	H04R 25/48 381/322
3,633,705 A	1/1972	Teder	
4,073,366 A *	2/1978	Estes	G10K 11/002 181/158
D251,234 S *	3/1979	Hakansson	D10/46

(Continued)

**FOREIGN PATENT DOCUMENTS**

WO WO 00/21333 A1 4/2000

**OTHER PUBLICATIONS**

Unknown, Looxcie launches First Wearable Camcorder and Social Sharing System, Sep. 15, 2010, Sunnyvale, CA.

(Continued)

*Primary Examiner* — Paula Greene

(57) **CLAIM**

The ornamental design for a communications headset, as shown and described.

**DESCRIPTION**

This application is related to co-pending U.S. Design application Ser. Nos. 29/547,980, titled "Communications Headset", and 29/547,989, titled "Microphone Boom for a Communications Headset".

FIG. 1 is a front-right perspective view of a communications headset showing my new design;

FIG. 2 is a back-left perspective view thereof;

FIG. 3 is a front view thereof;

FIG. 4 is a back view thereof;

FIG. 5 is a left side view thereof;

FIG. 6 is a right side view thereof;

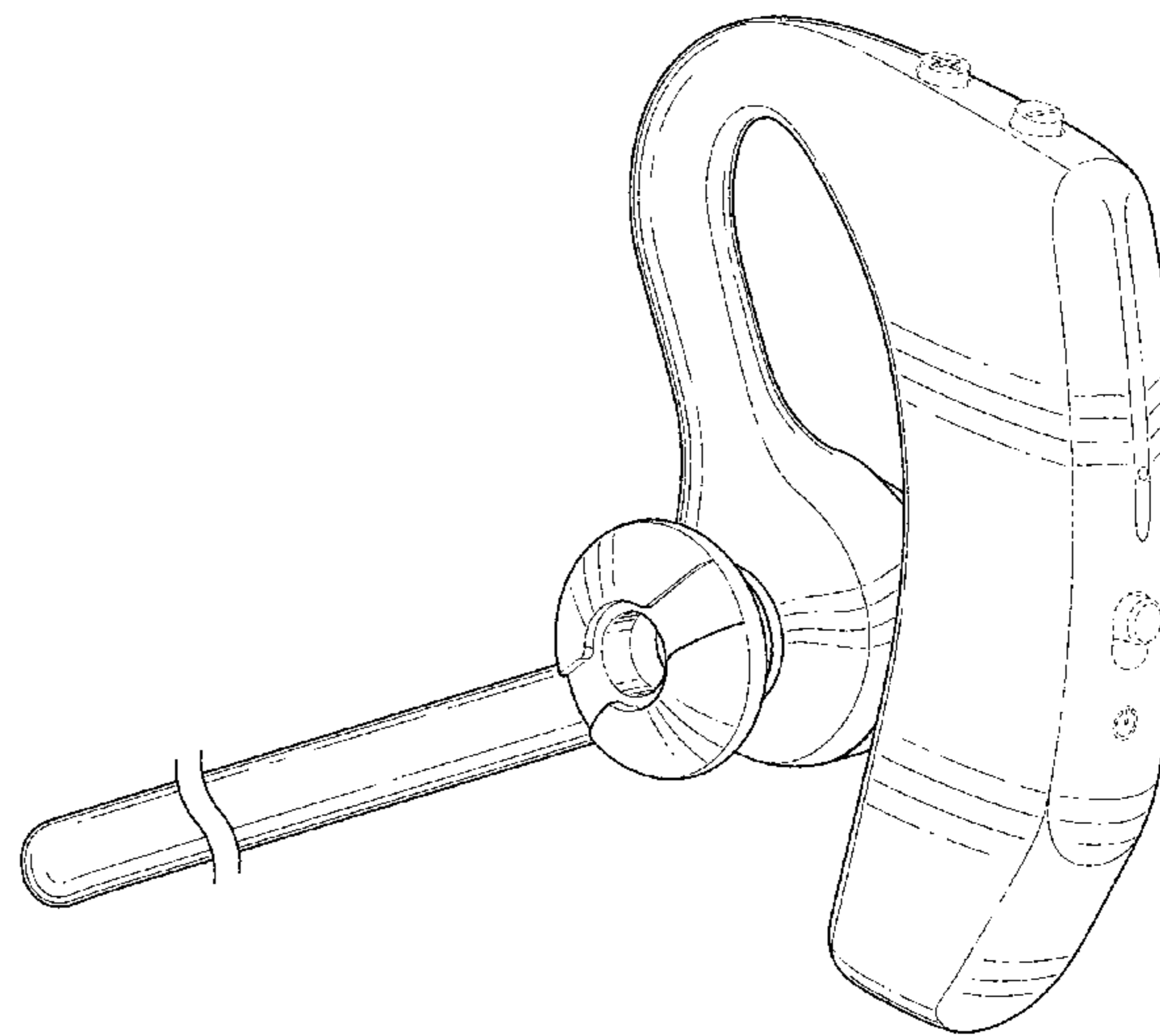
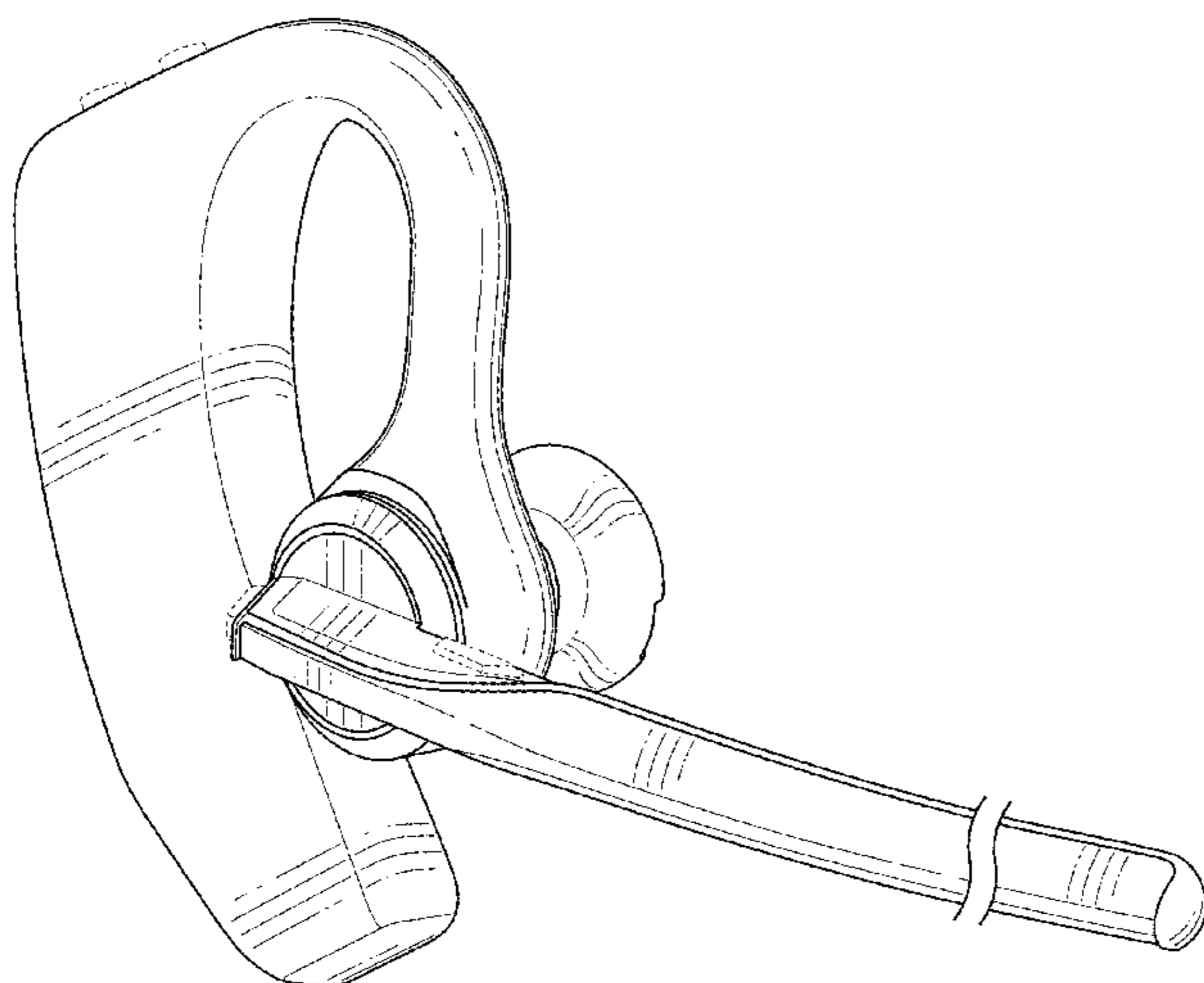
FIG. 7 is a top view thereof; and,

FIG. 8 is a bottom view thereof.

The broken lines showing the unclaimed features form no part of the claimed design.

The communications headset is shown with symbolic break lines. The appearance of any portion of the article between the break lines forms no part of the claimed design.

**1 Claim, 8 Drawing Sheets**



(56)

References Cited

U.S. PATENT DOCUMENTS

4,381,830 A \* 5/1983 Jelonek ..... H04R 25/48  
181/129  
4,564,955 A \* 1/1986 Birch ..... H04R 25/65  
381/322  
4,617,431 A 10/1986 Scott et al.  
4,720,857 A \* 1/1988 Burris ..... H04M 1/05  
379/430  
4,917,504 A 4/1990 Scott et al.  
D354,568 S 1/1995 Araki et al.  
D384,958 S 10/1997 Shudo  
D385,036 S \* 10/1997 Nielsen ..... D24/174  
5,761,319 A \* 6/1998 Dar ..... H04R 25/65  
381/322  
5,975,235 A \* 11/1999 Schlaegel ..... H04R 25/48  
181/129  
6,097,827 A 8/2000 Yang  
D439,890 S 4/2001 Skulley et al.  
D443,603 S 6/2001 Taylor et al.  
D447,472 S 9/2001 McGugan  
D447,473 S 9/2001 Chuang  
D447,743 S 9/2001 Ma  
D449,290 S 10/2001 Taylor et al.  
D451,907 S 12/2001 Amae et al.  
D452,857 S 1/2002 Hong  
D455,417 S 4/2002 Bey et al.  
D457,635 S 5/2002 Dittli et al.  
D458,247 S 6/2002 Davies et al.  
D463,784 S 10/2002 Taylor et al.  
D464,943 S 10/2002 Lai  
D464,951 S 10/2002 Skulley et al.  
D468,721 S \* 1/2003 Nguyen ..... D14/205  
D469,081 S 1/2003 Perszyk et al.  
D470,121 S \* 2/2003 Nguyen ..... D14/205  
D470,478 S 2/2003 Kohli et al.  
D474,171 S 5/2003 Suzuki  
D474,178 S 5/2003 Eroma  
6,560,346 B2 5/2003 Ohta et al.  
D476,645 S 7/2003 Padala et al.  
D477,821 S 7/2003 Bieltvedt et al.  
D480,072 S 9/2003 Ham  
D490,398 S 5/2004 Gwee  
D490,399 S 5/2004 Kamo et al.  
6,768,804 B1 7/2004 Isvan  
6,771,790 B2 8/2004 Liu  
D498,227 S 11/2004 Dyer et al.  
D504,419 S 4/2005 Bey et al.  
D504,673 S 5/2005 Dyer et al.  
D504,887 S 5/2005 Skulley  
D505,413 S 5/2005 Skulley et al.

D506,258 S 6/2005 Nielsen  
D506,462 S 6/2005 Han et al.  
D511,156 S 11/2005 Eroma et al.  
D512,984 S 12/2005 Ham  
D515,074 S 2/2006 Jacobson et al.  
D518,473 S \* 4/2006 Gwee ..... D14/205  
D518,479 S \* 4/2006 Skulley ..... D14/225  
D519,498 S 4/2006 Ham  
D520,496 S 5/2006 Gwee  
D521,492 S 5/2006 Ham  
7,089,042 B2 8/2006 Bodley  
7,106,873 B1 9/2006 Harrison et al.  
D535,980 S 1/2007 Bentley et al.  
D537,815 S 3/2007 Bentley et al.  
D539,266 S 3/2007 Bentley et al.  
D541,787 S 5/2007 Ma  
D581,900 S 12/2008 Caddes et al.  
D584,719 S 1/2009 Brennwald  
D603,372 S 11/2009 Bentley  
D612,834 S 3/2010 Yang et al.  
D612,835 S 3/2010 Yang et al.  
D612,840 S 3/2010 Yang et al.  
D617,316 S \* 6/2010 Elabidi ..... D14/223  
D647,877 S 11/2011 Son  
D653,649 S \* 2/2012 Yang ..... D14/206  
D657,347 S 4/2012 Chung et al.  
D670,267 S 11/2012 Maddern  
D671,915 S 12/2012 Birger  
D681,002 S 4/2013 Ham et al.  
D681,003 S 4/2013 Ham et al.  
D681,014 S \* 4/2013 Ham ..... D14/206  
8,437,860 B1 \* 5/2013 Crawford ..... H04R 25/60  
607/1  
RE44,672 E 12/2013 Yang et al.  
RE45,056 E 8/2014 Yang et al.  
D717,771 S \* 11/2014 Harper ..... D14/223  
9,307,311 B2 \* 4/2016 Tran ..... H04R 1/10  
2004/0062410 A1 \* 4/2004 Wagner ..... H04R 25/65  
381/330  
2005/0259812 A1 \* 11/2005 Chen ..... H04M 1/6066  
379/431  
2013/0322646 A1 \* 12/2013 Davie ..... H04R 1/1041  
381/74

OTHER PUBLICATIONS

Nokia Design Registration No. 23677, Application No. 20030252,  
Publication Date: Jun. 15, 2004.  
Sennheiser Communications, MX 100 Headset Instruction Manual,  
May 2005, pp. 1, 6-17, 148, China.

\* cited by examiner

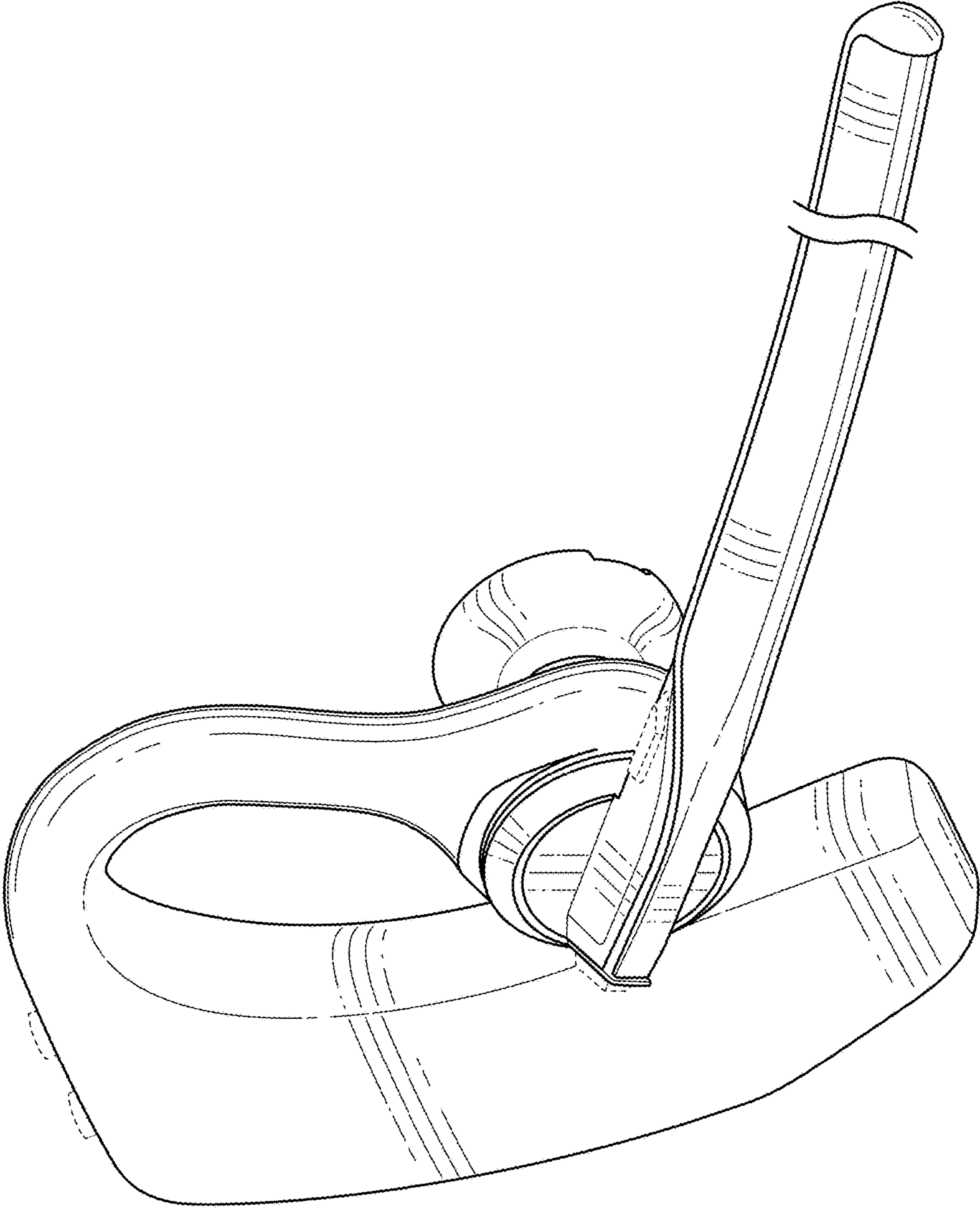


FIG. 1

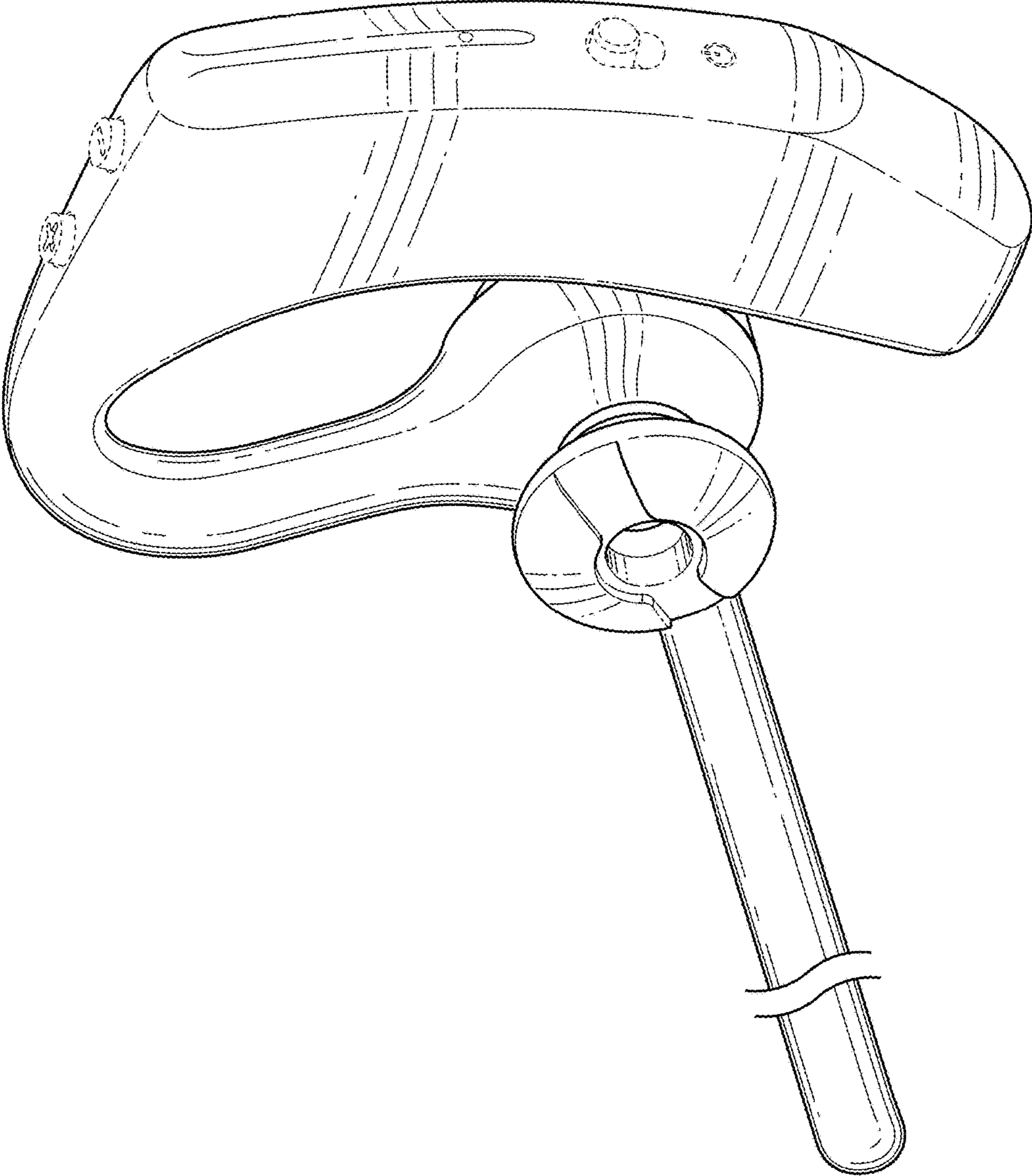


FIG. 2

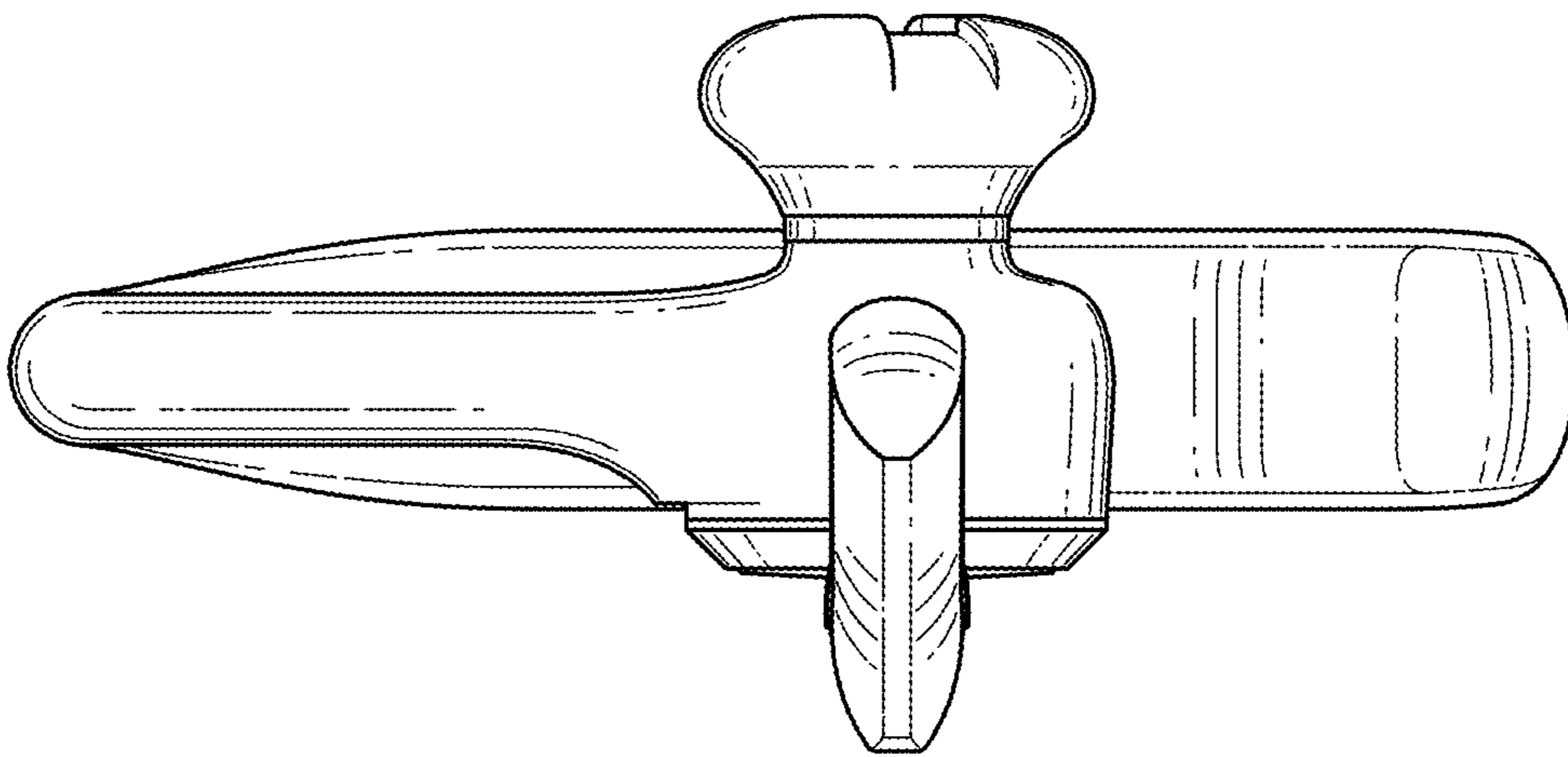


FIG. 3

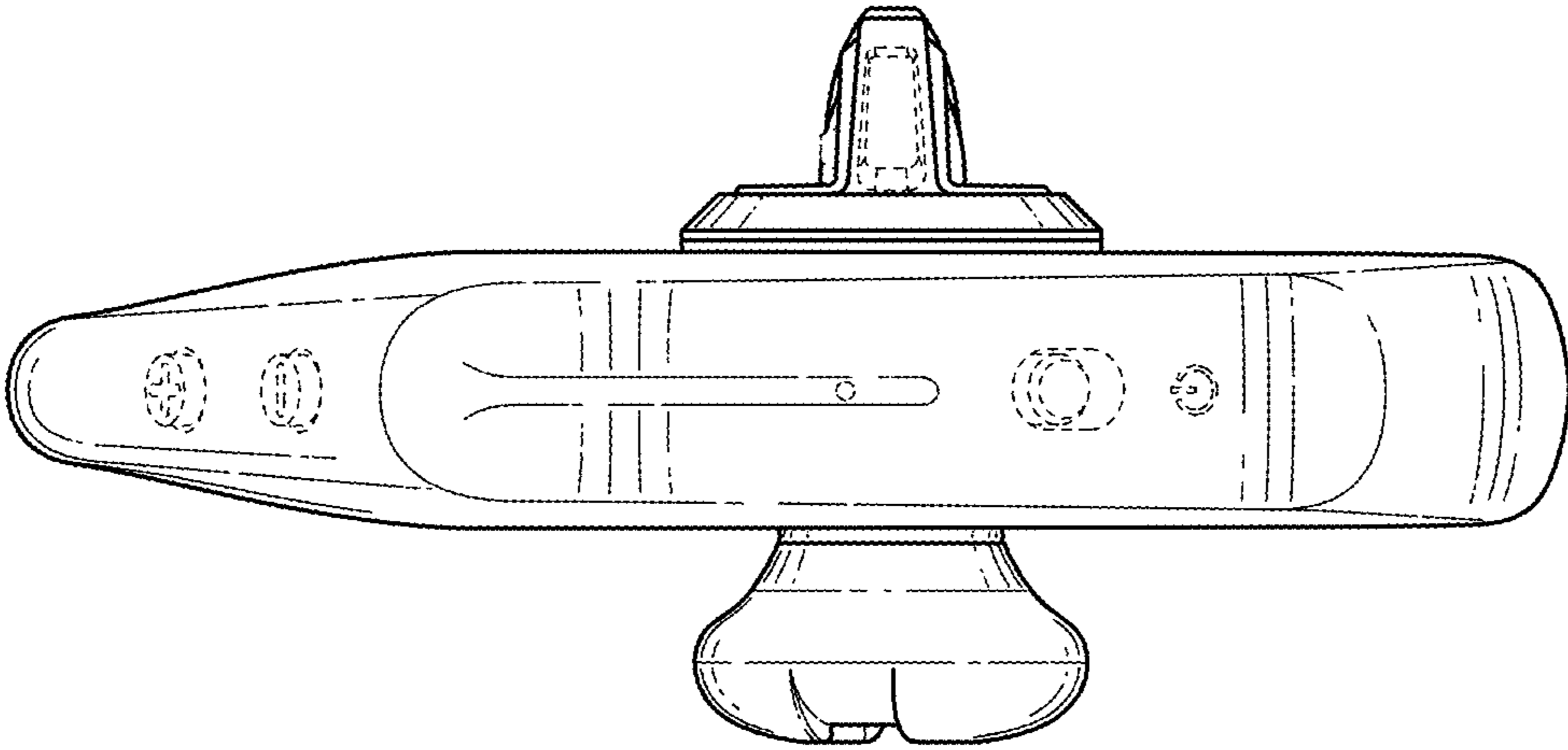


FIG. 4

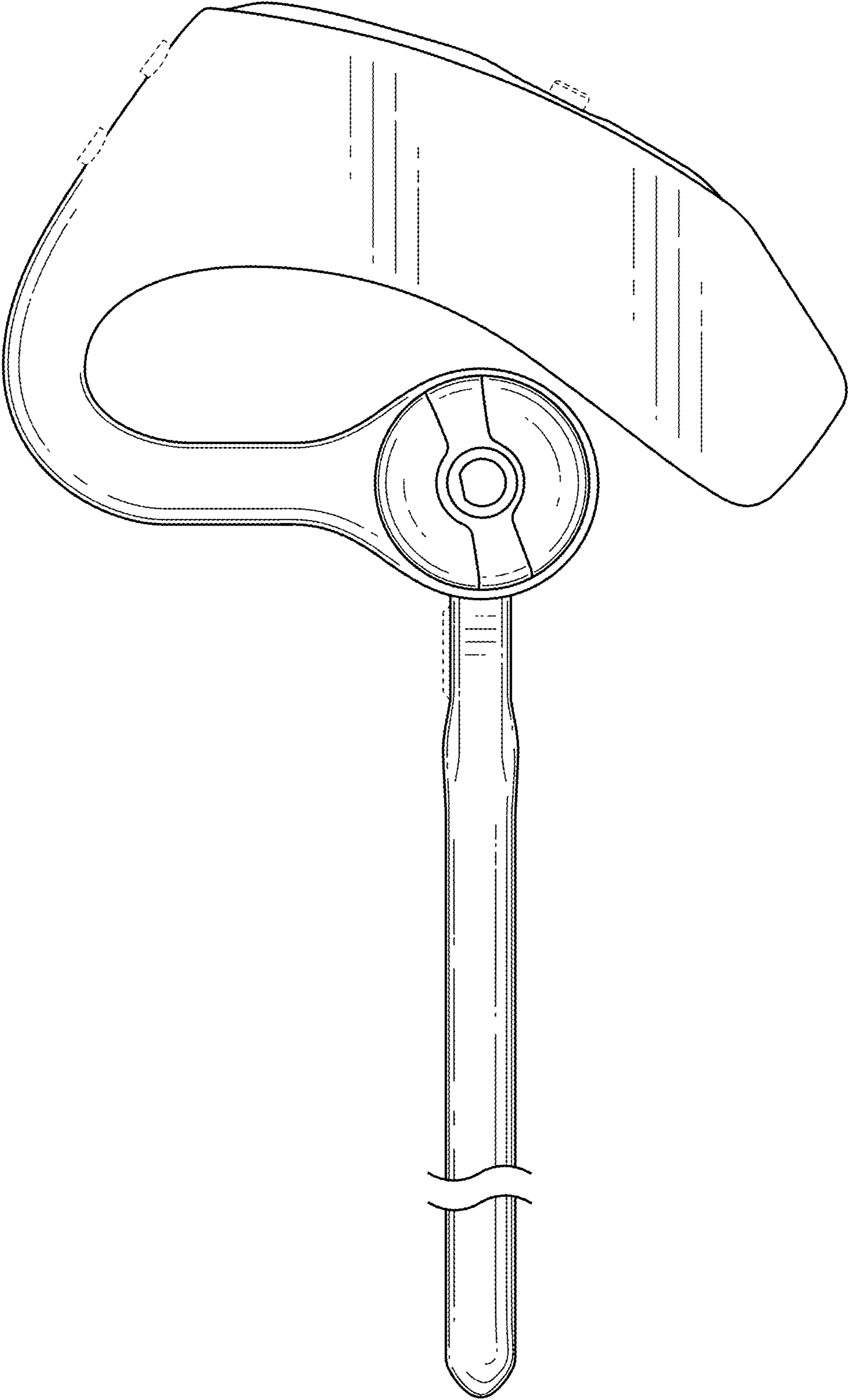


FIG. 5

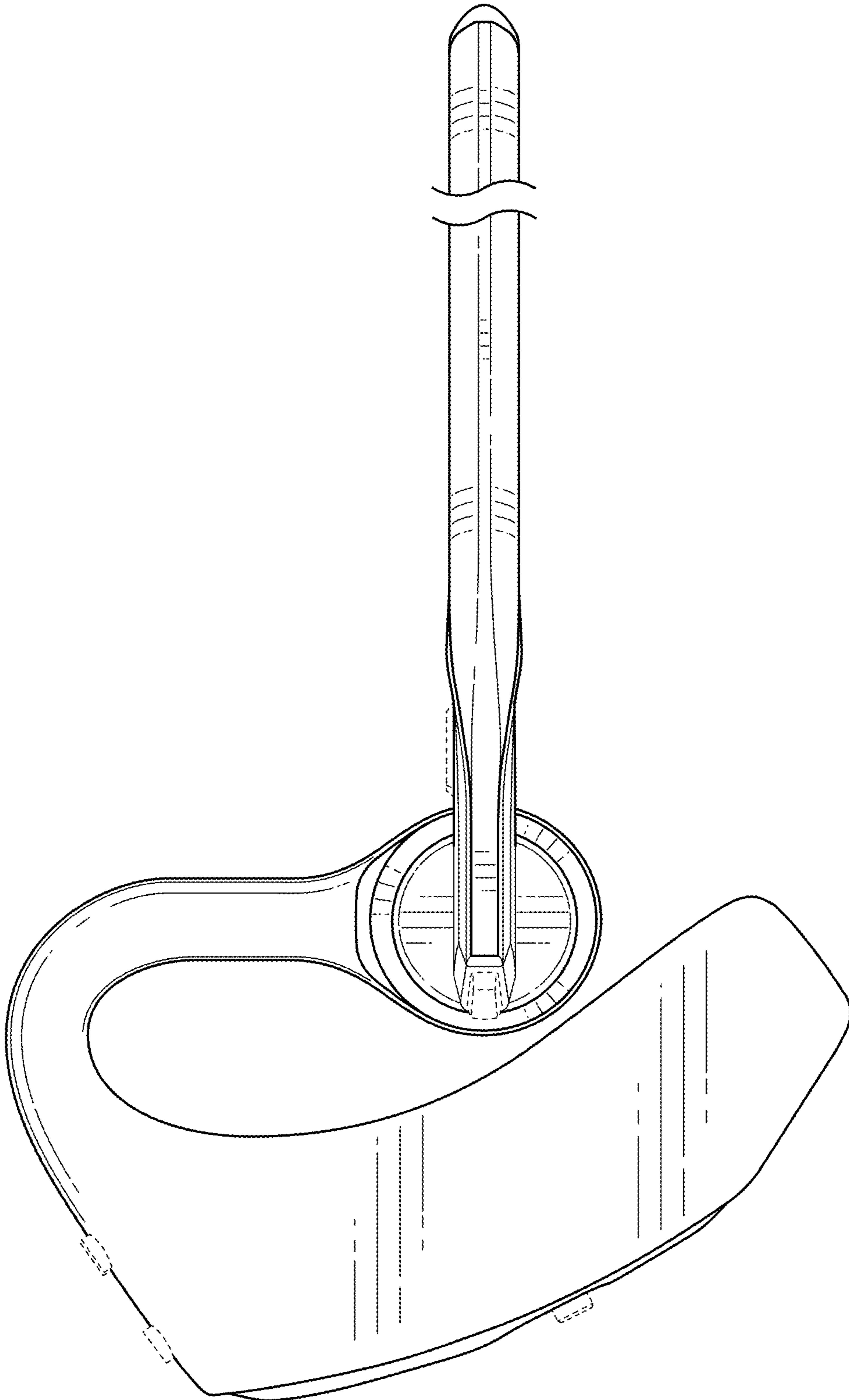


FIG. 6



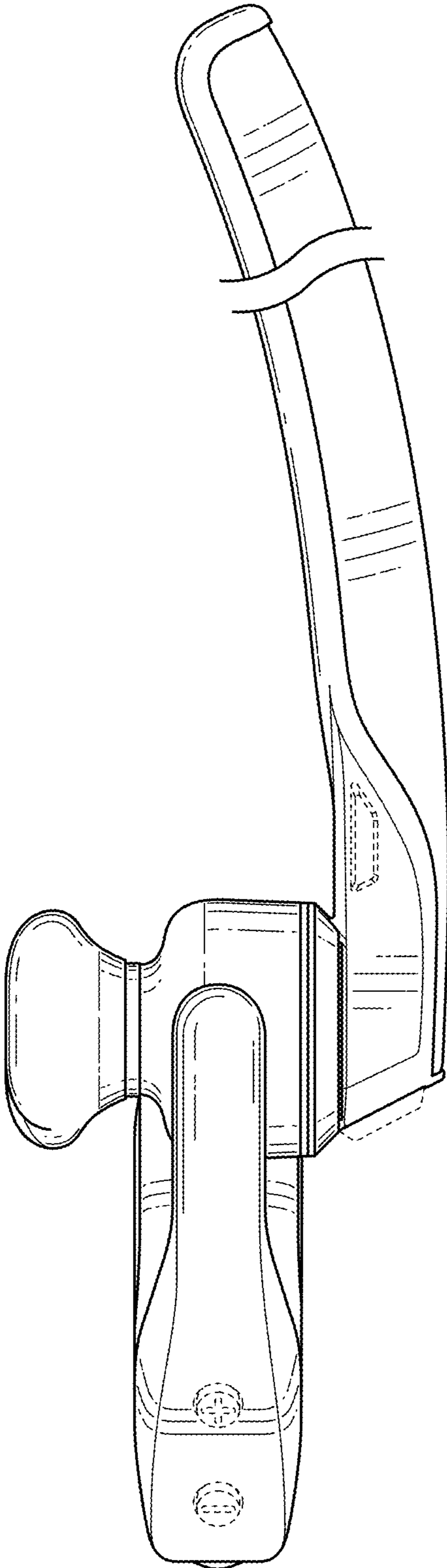


FIG. 7

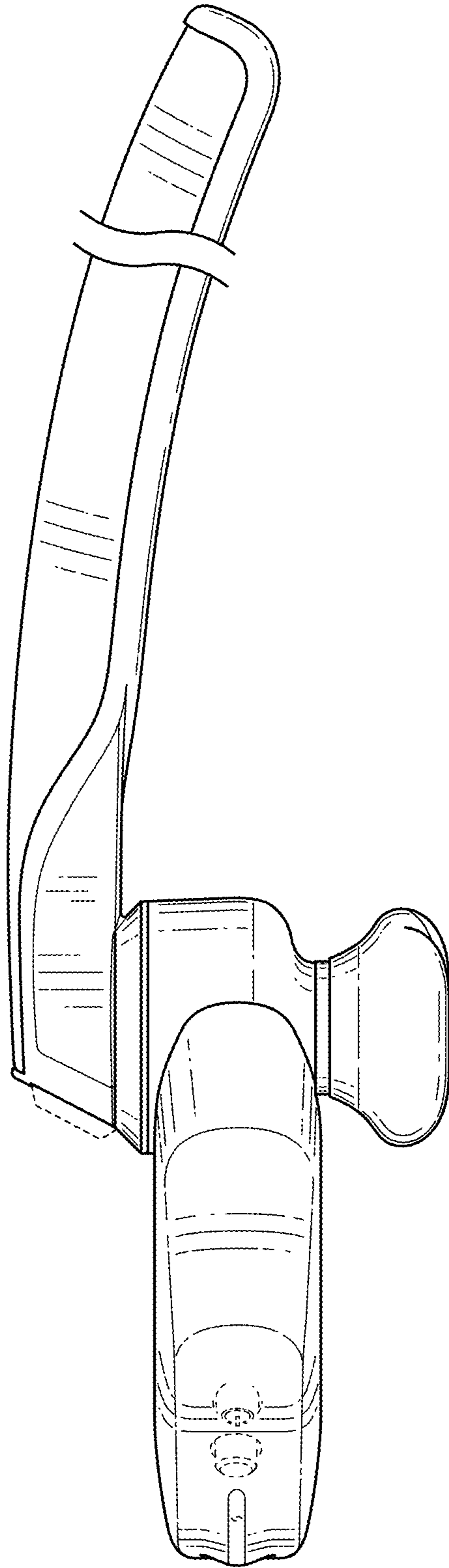


FIG. 8