



US00D784289S

(12) **United States Design Patent**
Lu

(10) **Patent No.:** **US D784,289 S**
(45) **Date of Patent:** **** Apr. 18, 2017**

(54) **PART OF OVER-EAR HEADPHONES**

(71) Applicant: **DEXIN CORPORATION**, New Taipei (TW)

(72) Inventor: **Ho-Lung Lu**, New Taipei (TW)

(73) Assignee: **DEXIN CORPORATION**, New Taipei (TW)

(**) Term: **15 Years**

(21) Appl. No.: **29/539,039**

(22) Filed: **Sep. 10, 2015**

(51) **LOC (10) Cl.** **14-01**

(52) **U.S. Cl.**
USPC **D14/205**

(58) **Field of Classification Search**
USPC D14/205; D29/112; D11/200, 218;
D2/624, 626, 627; 2/230, 311, 338, 340,
2/342; D6/578, 607; 5/508, 504.1;
D30/144, 152; D3/243, 327; D28/41;
132/273, 275; 181/129, 130, 135;
379/430, 431; 381/380, 381, 374;
150/100, 103-105, 107, 108; D17/20, 99;
84/327, 329; 224/259, 579; 190/903
CPC H04R 1/1066; H04R 1/1016; A44B 11/00;
A45C 13/28; A45C 13/30; A61F 11/14
See application file for complete search history.

(56) **References Cited**

U.S. PATENT DOCUMENTS

- 124,815 A * 3/1872 Hamilton A44C 5/0092
63/11
- 504,895 A * 9/1893 Swigart A44B 11/006
24/164
- 1,495,925 A * 5/1924 Quertermous A41F 9/007
224/247
- 1,732,722 A * 10/1929 Horn H04R 1/342
181/175

- 2,047,914 A * 7/1936 Lifton A45C 3/02
190/109
- D1,020,235 * 11/1936 Adams D11/3
- 2,400,844 A * 5/1946 Segal A44B 11/008
2/339
- 2,432,001 A * 12/1947 Fisler A45C 3/00
150/108
- 2,481,788 A * 9/1949 Sherwood A45C 13/30
24/182
- 2,641,812 A * 6/1953 Boudreau A44B 11/20
24/176
- 2,793,255 A * 5/1957 Schlenker H04R 1/406
381/351
- 3,083,428 A * 4/1963 McGill A44B 11/24
24/114.5
- 3,211,160 A * 10/1965 Miller A45D 8/00
132/275

(Continued)

Primary Examiner — Paula Greene

(74) *Attorney, Agent, or Firm* — Li & Cai Intellectual Property (USA) Office

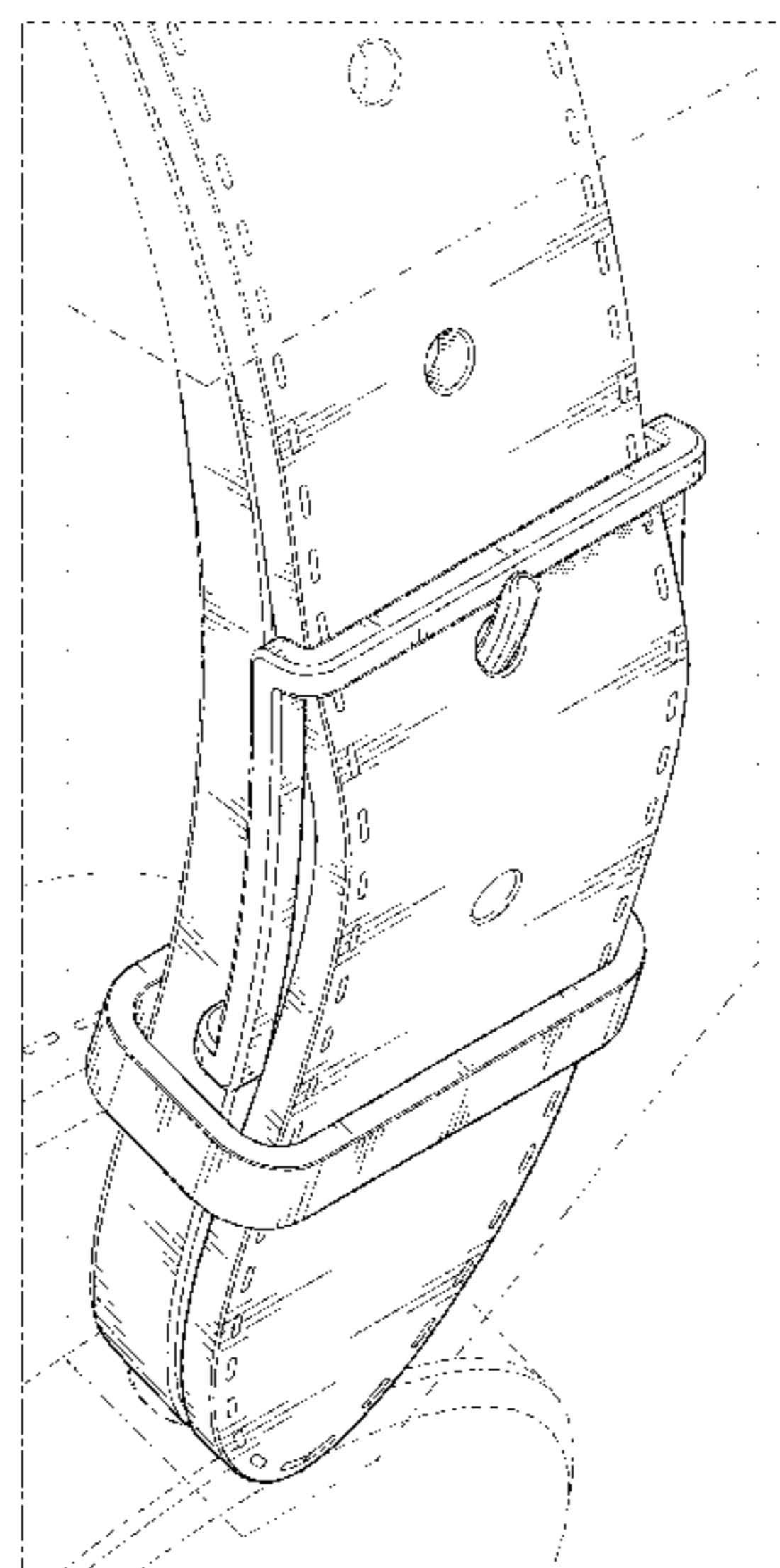
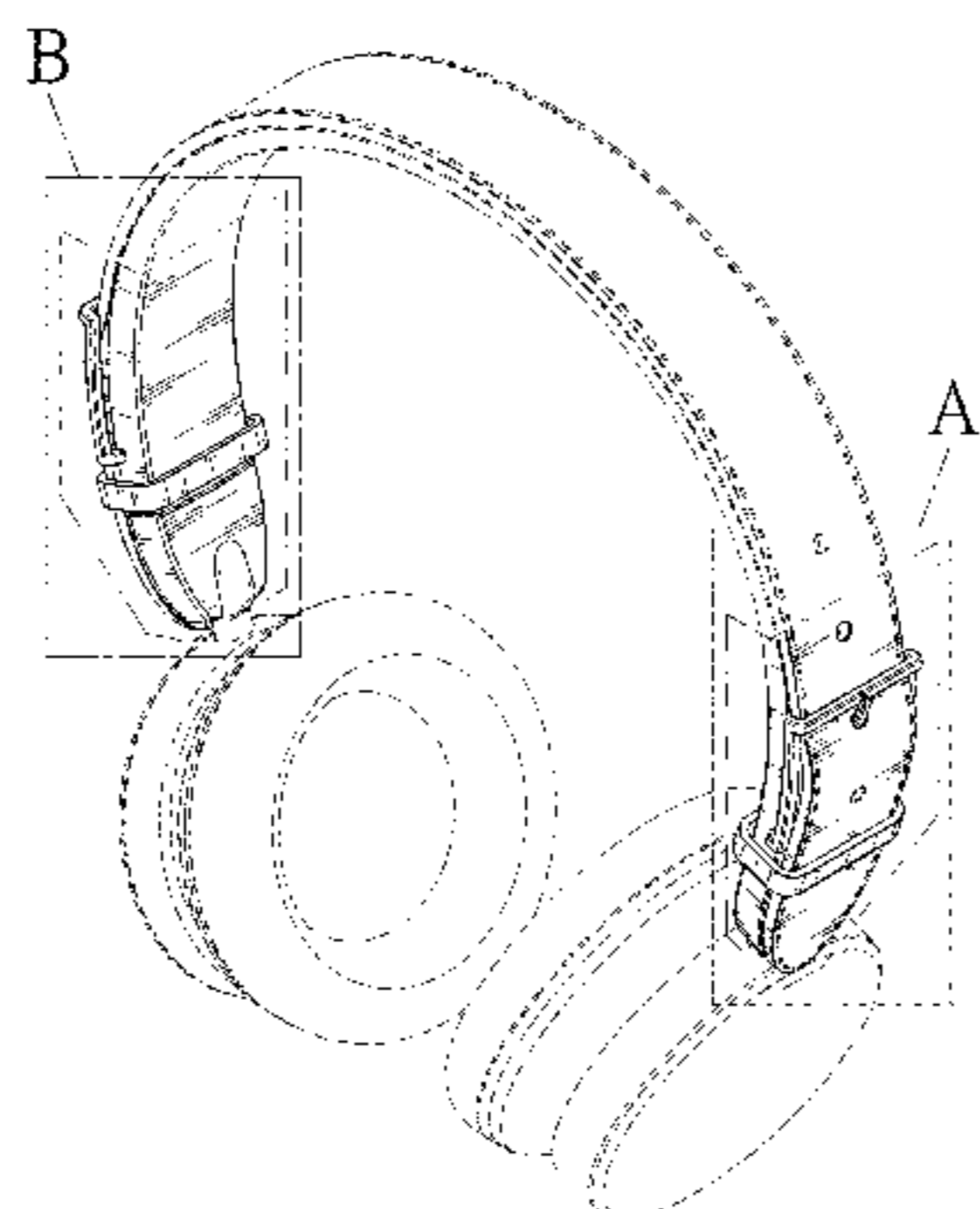
(57) **CLAIM**

The ornamental design for a “part of over-ear headphones,” as shown and described.

DESCRIPTION

FIG. 1 is a perspective view of a part of over-ear headphones showing our new design;
FIG. 2 is a front view thereof;
FIG. 3 is a rear view thereof;
FIG. 4 is a left side view thereof;
FIG. 5 is a right side view thereof;
FIG. 6 is a top view thereof;
FIG. 7 is a bottom view thereof;
FIG. 8 is an enlarged view of “A” part of FIG. 1; and,
FIG. 9 is an enlarged view of “B” part of FIG. 1.
The broken line showing of the environment is for illustrative purposes only and forms no part of the claimed design.

1 Claim, 7 Drawing Sheets



(56)

References Cited

U.S. PATENT DOCUMENTS

3,828,370	A *	8/1974	Ihmels	A41F 9/002 2/322
D249,386	S *	9/1978	Zacuto	224/258
D255,061	S *	5/1980	Nichols	D2/638
D270,634	S *	9/1983	Ungar	D14/205
D273,282	S *	4/1984	Matt	D11/30
D342,154	S *	12/1993	Capello	D2/865
5,987,647	A *	11/1999	Ouellette	A41D 23/00 132/273
D435,537	S *	12/2000	Yuyama	D14/205
D449,591	S *	10/2001	Arpe	D14/205
6,626,335	B1 *	9/2003	Dunlop	G10G 5/005 224/258
6,678,898	B2 *	1/2004	Jones	A41F 9/00 2/321
D599,080	S *	9/2009	Pantoja	D2/627
D640,467	S *	6/2011	Gerbi	D3/243
D643,622	S *	8/2011	Gerbi	D3/243
D756,634	S *	5/2016	Bonstrom	D3/243
2006/0027245	A1 *	2/2006	Spector	A45D 8/36 132/273
2013/0292014	A1 *	11/2013	Mosee	A45C 1/02 150/107

* cited by examiner

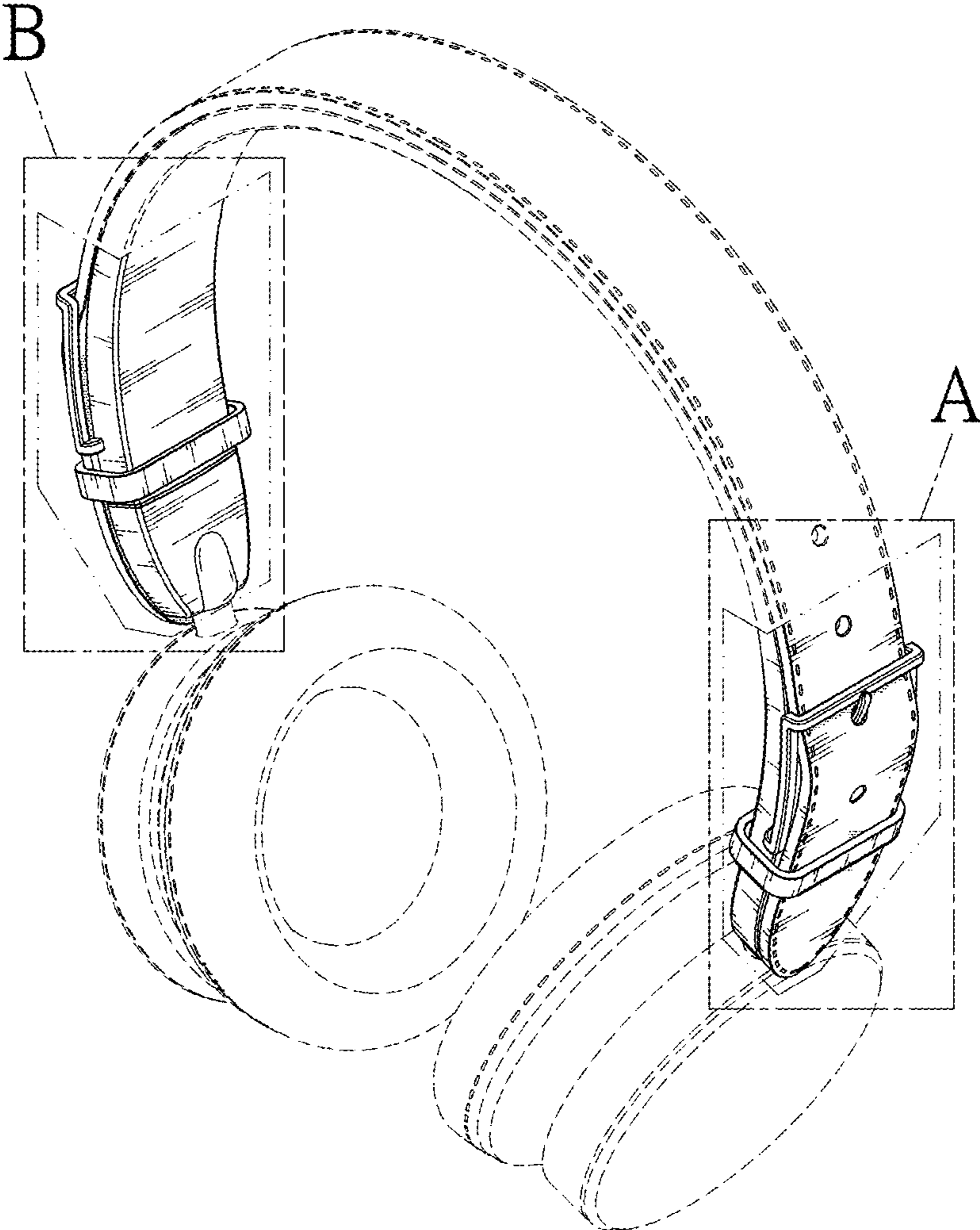


FIG.1

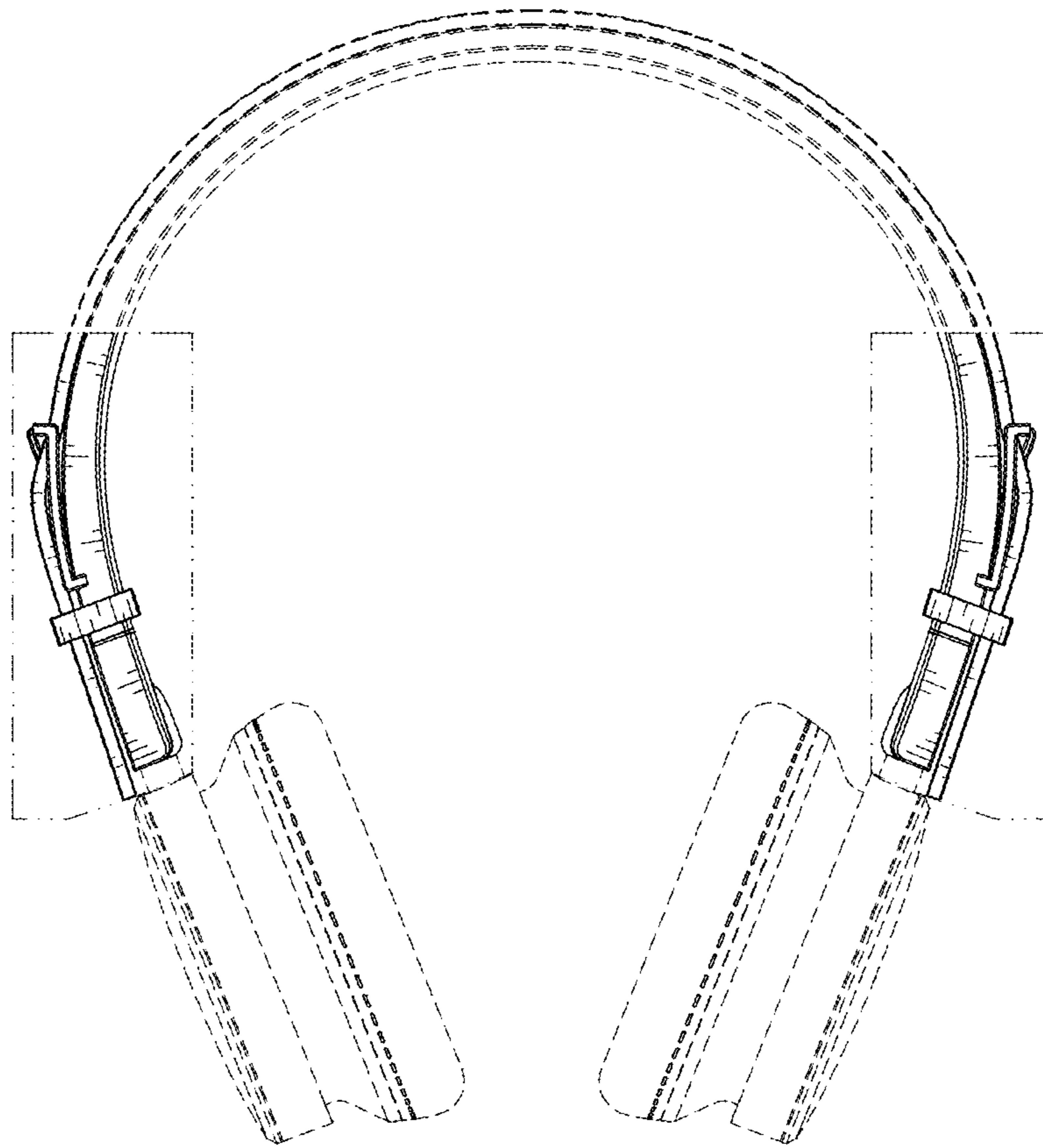


FIG.2

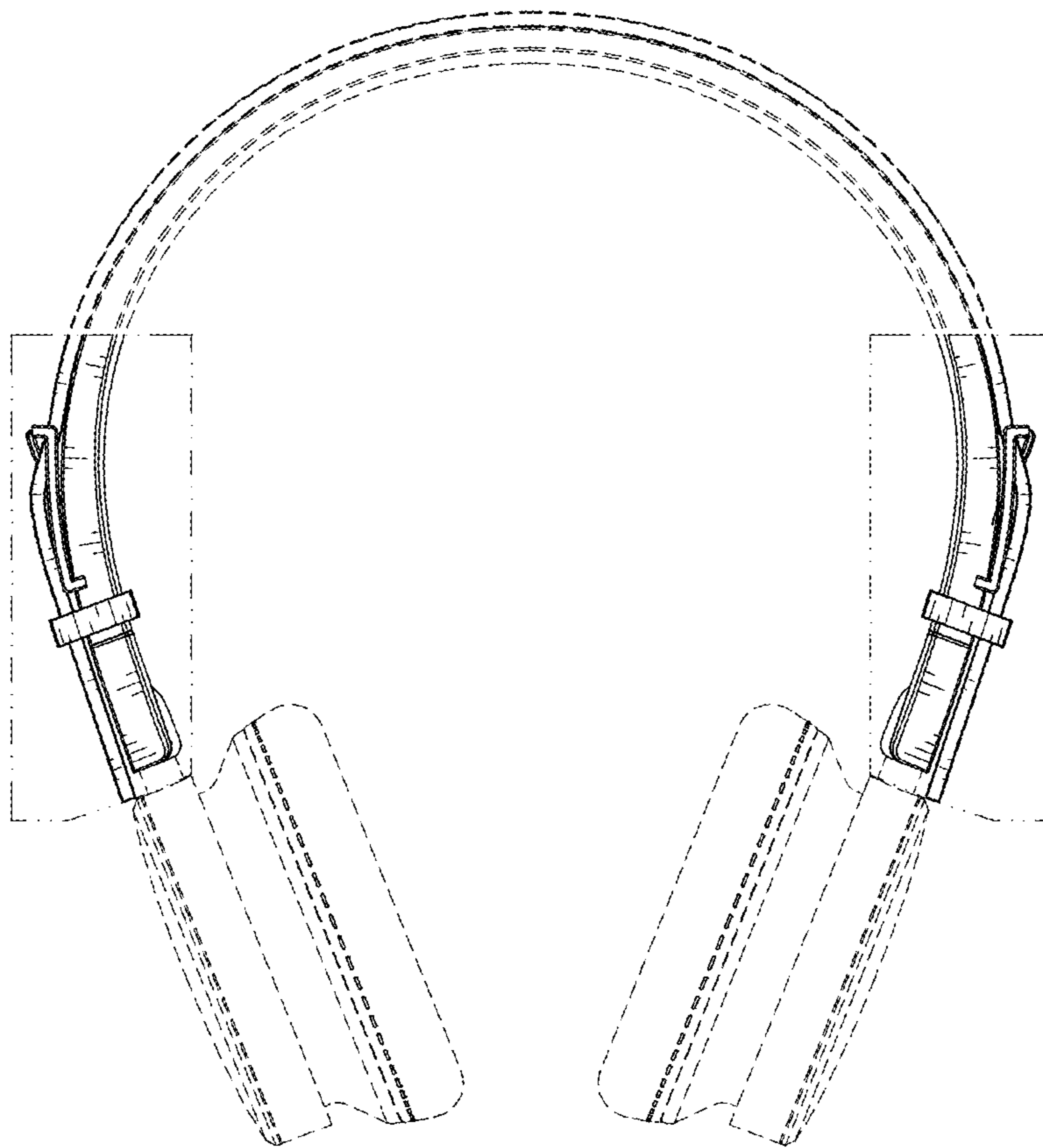


FIG.3

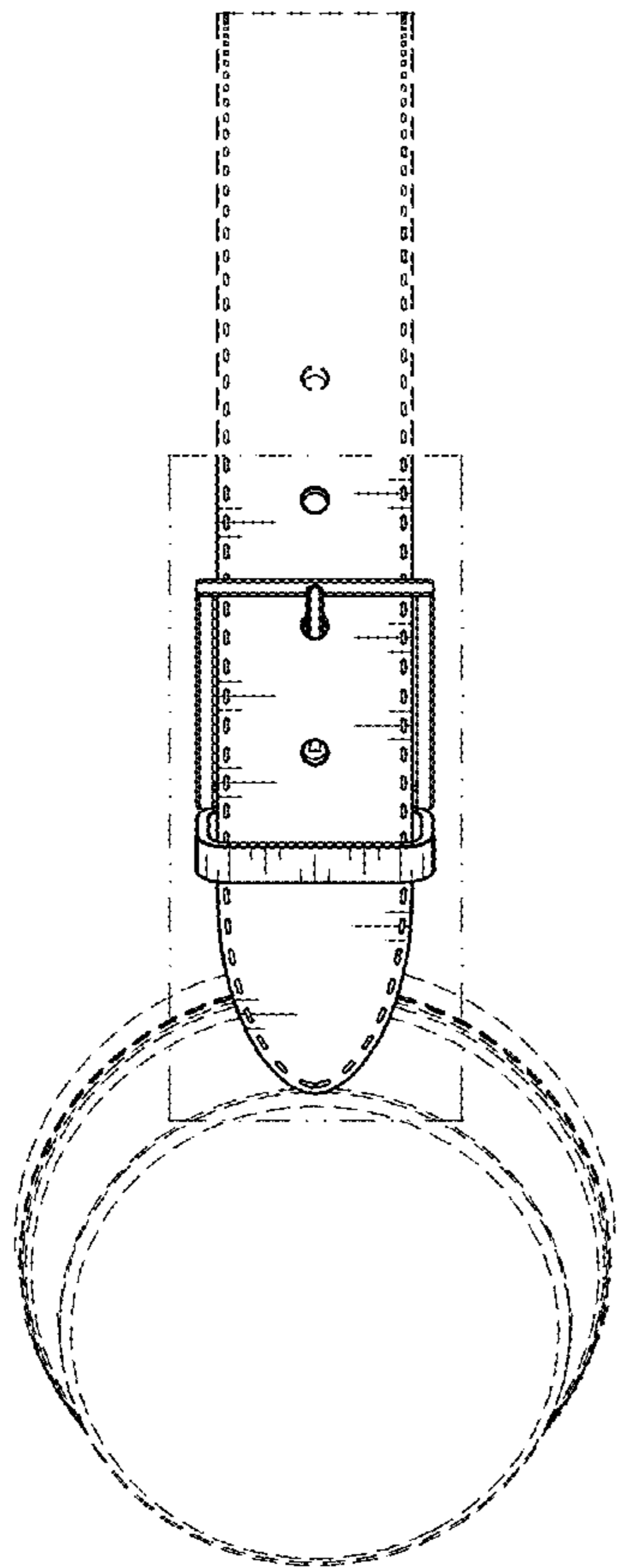


FIG.4

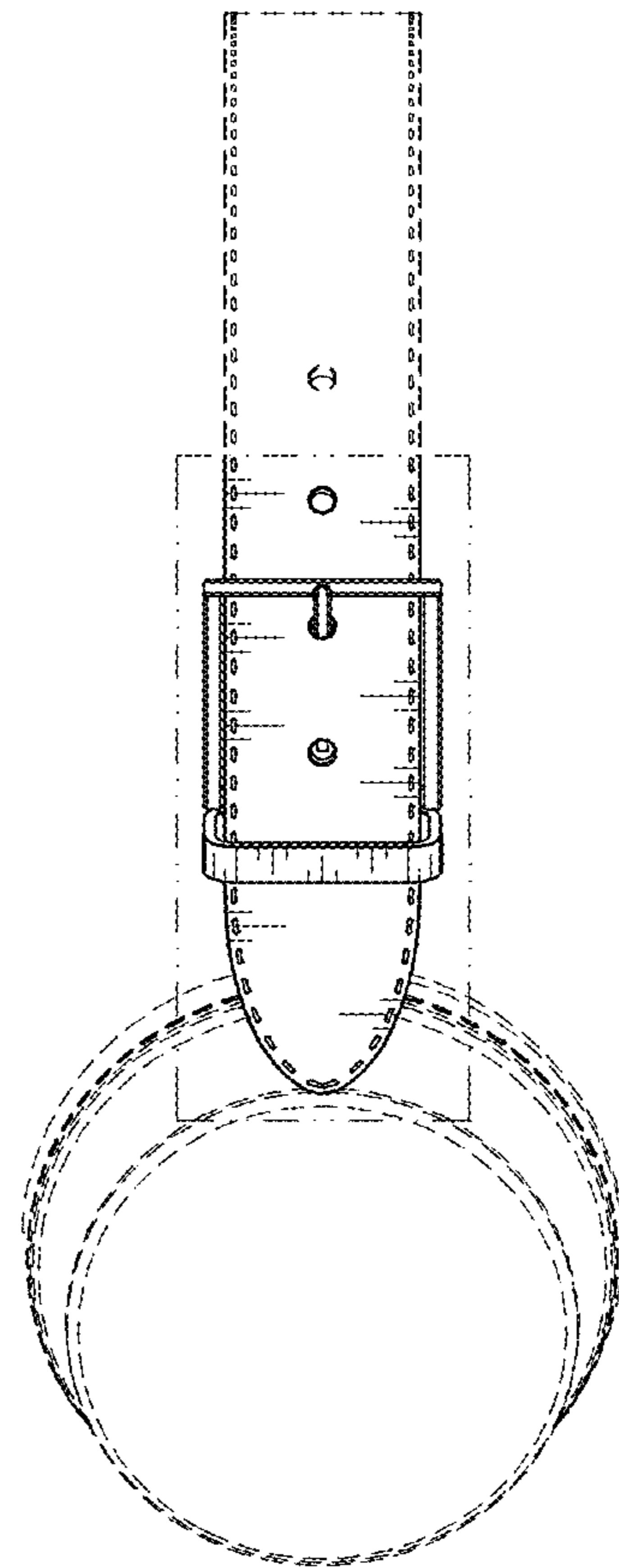


FIG.5

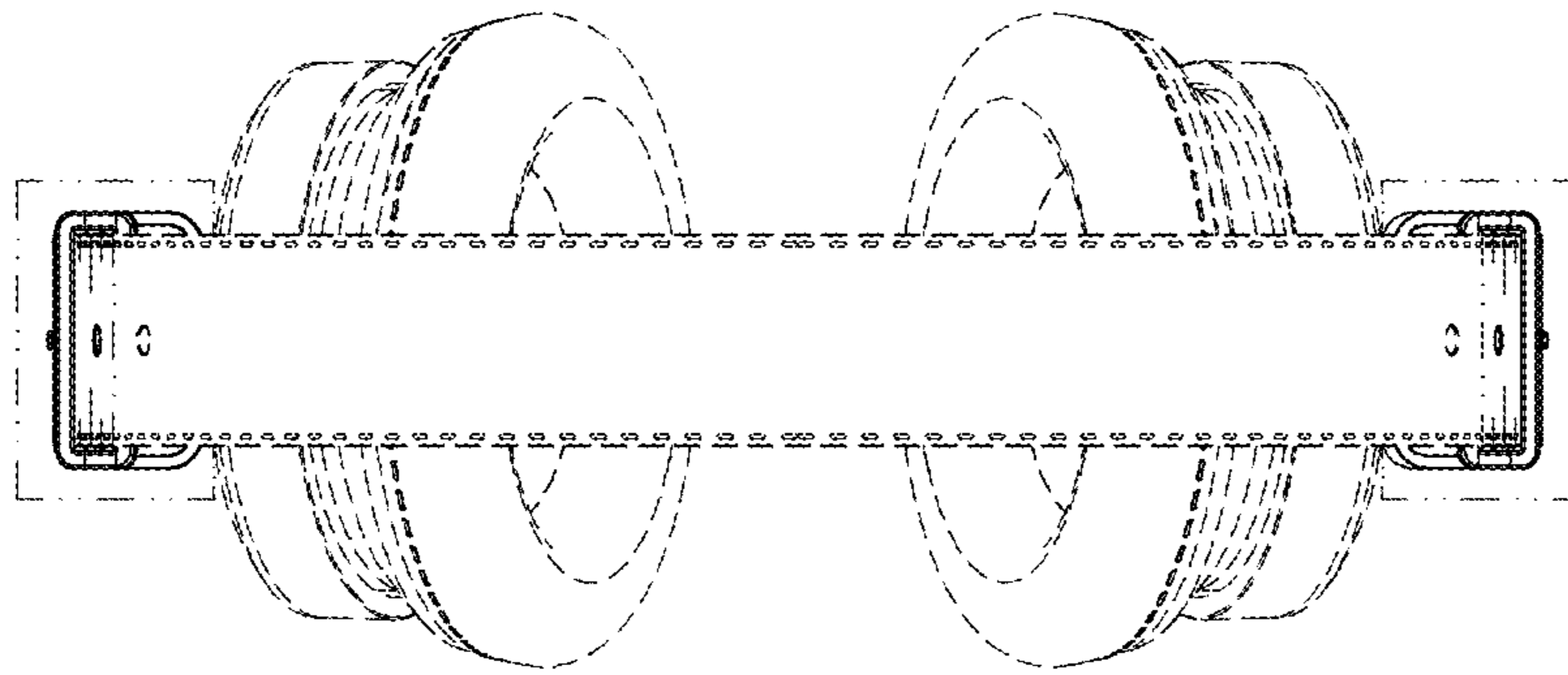


FIG. 6

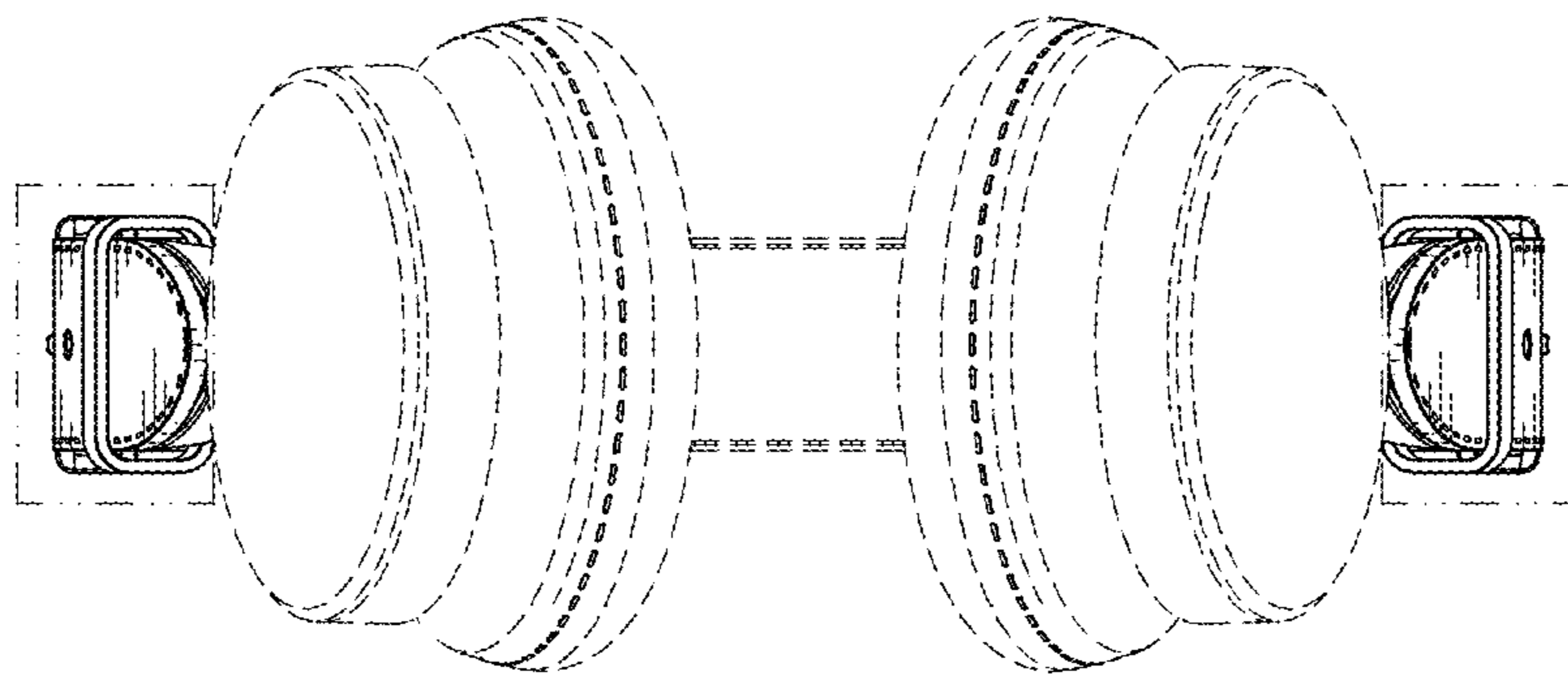


FIG. 7



FIG.8

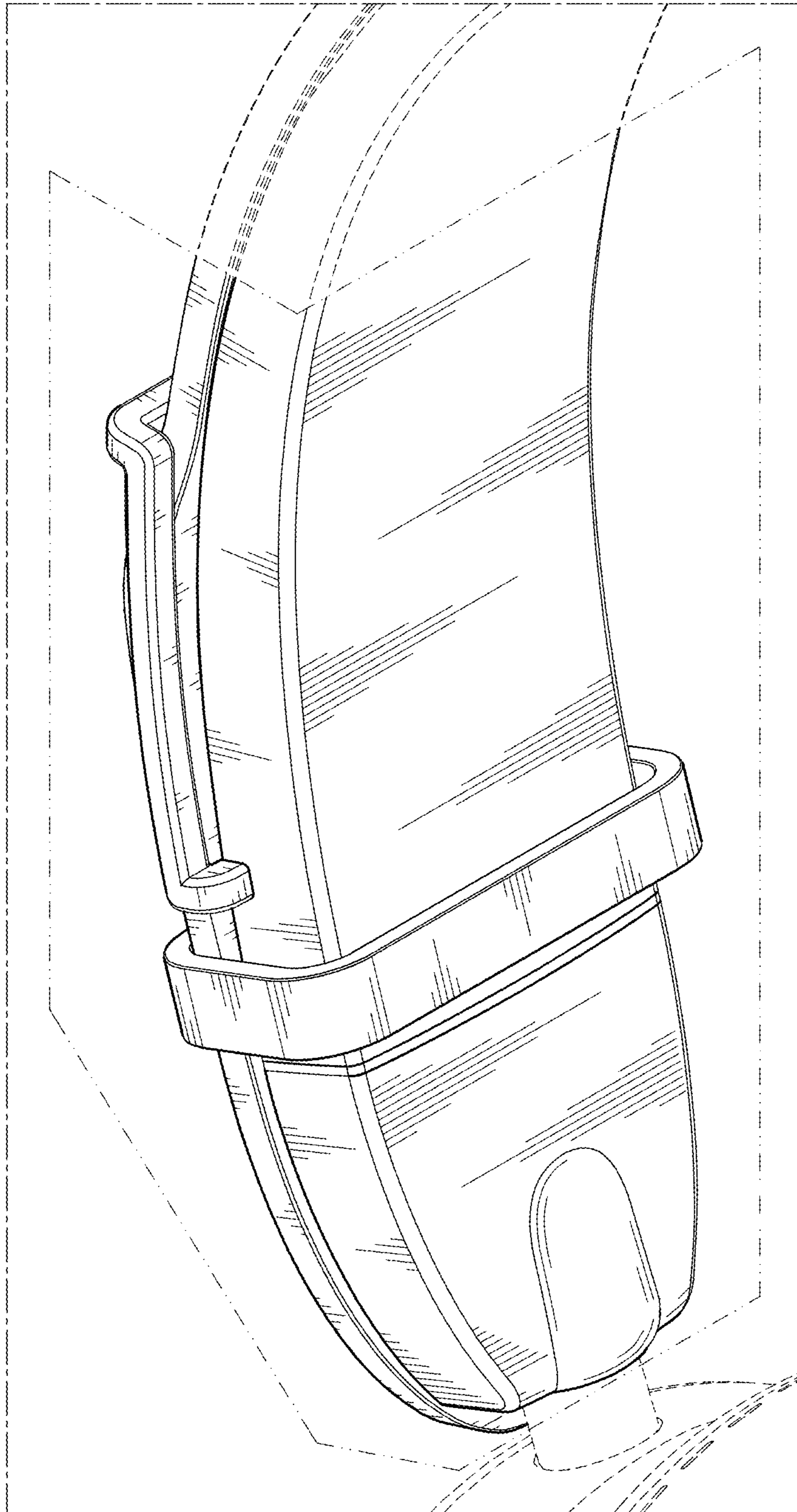


FIG.9