



US00D784287S

(12) **United States Design Patent**
Murray et al.

(10) **Patent No.:** **US D784,287 S**
(45) **Date of Patent:** **** Apr. 18, 2017**

(54) **COMBINED WIRELESS AUDIO
TRANSMITTER AND PLURAL RECEIVERS**

(71) Applicant: **Ekko Audio, LLC**, North Port, FL
(US)

(72) Inventors: **Sean Murray**, Ellenton, FL (US);
Frank Elge, III, Sarasota, FL (US)

(73) Assignee: **Ekko Audio, LLC**, North Port, FL
(US)

(**) Term: **15 Years**

(21) Appl. No.: **29/540,376**

(22) Filed: **Sep. 23, 2015**

(51) **LOC (10) Cl.** **14-03**

(52) **U.S. Cl.**
USPC **D14/168**; D14/496; D14/203.6

(58) **Field of Classification Search**
USPC ... D14/356, 358, 496, 155, 168, 188, 203.1,
D14/203.3, 203.6, 238.1, 240, 242, 299;
D13/107, 108, 123, 164, 168, 184, 199;
D10/46, 104.1, 122, 123, 124
CPC H04H 20/89; H04H 40/00; H04H 60/58;
H04H 2201/00; H04H 2201/11; H04H
2201/20; H04L 12/2494; H04L 12/40117;
H04M 1/00; G11B 31/00
See application file for complete search history.

(56) **References Cited**

U.S. PATENT DOCUMENTS

- D339,757 S * 9/1993 Feeny D10/104.2
- D344,904 S * 3/1994 Dotsikas D10/106.1
- D442,561 S * 5/2001 Camarota D13/162
- D479,712 S * 9/2003 Ng D14/203.3
- D483,281 S * 12/2003 Cobigo D10/104.1
- D496,031 S * 9/2004 Ma D10/104.1
- D510,562 S * 10/2005 Lodato D13/108

- D520,447 S * 5/2006 Liu D13/108
- D534,896 S * 1/2007 Lin D14/188
- D535,952 S * 1/2007 Fekete D14/299
- D548,728 S * 8/2007 Yoshiyama D14/218
- D554,112 S * 10/2007 Brisben D14/240
- D596,163 S * 7/2009 Madonna D14/218

(Continued)

OTHER PUBLICATIONS

Ekko sound pods stream audio to several headphones at once(Slash-Gear). slashgear.com. (online) posted Feb. 16, 2016 [retrieved on Nov. 22, 2016] <https://www.slashgear.com/ekko-sound-pods-stream-audio-to-several-headphones-at-once-16427303/>.*

Primary Examiner — Susan Bennett Hattan

Assistant Examiner — Marie Fast Horse

(74) *Attorney, Agent, or Firm* — Kelly & Kelley, LLP

(57) **CLAIM**

The ornamental design for a combined wireless audio transmitter and plural receivers, as shown and described.

DESCRIPTION

FIG. 1 is a top, front and right-side perspective view of a combined wireless audio transmitter and plural receivers embodying our new design;

FIG. 2 is a bottom, rear and left-side perspective view thereof;

FIG. 3 is a top plan view thereof;

FIG. 4 is a bottom plan view thereof;

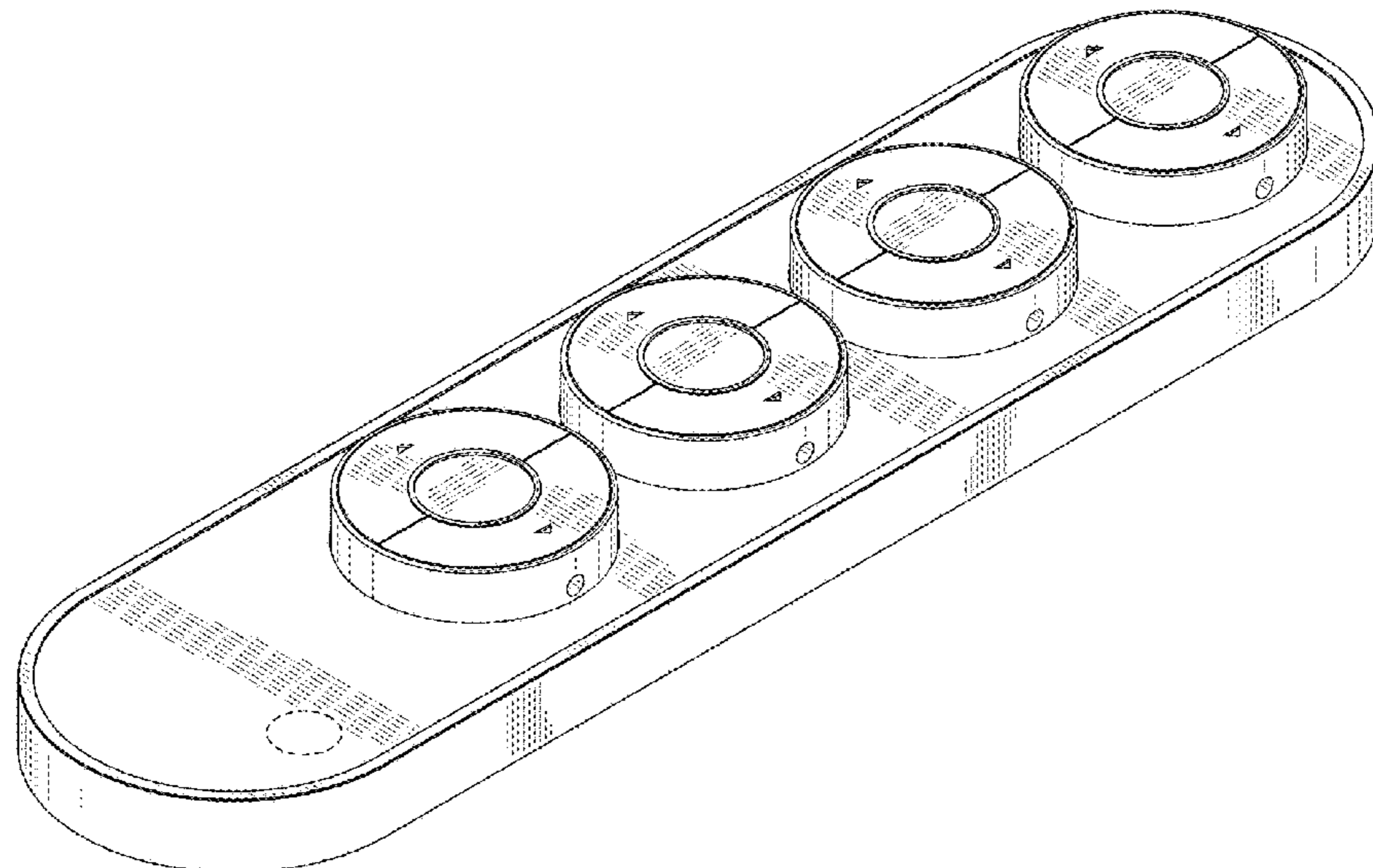
FIG. 5 is a front view thereof;

FIG. 6 is a rear view thereof; and,

FIG. 7 is a left-side elevational view thereof; the right-side elevational view being a mirror image.

The broken lines in the drawings depict parts of the combined wireless audio transmitter and plural receivers that form no part of the claimed design.

1 Claim, 4 Drawing Sheets



(56)

References Cited

U.S. PATENT DOCUMENTS

D618,681 S	*	6/2010	Richter	D14/358
D626,537 S	*	11/2010	Lee	D14/227
D638,394 S	*	5/2011	Richards	D14/155
D671,505 S	*	11/2012	Clark	D13/168
D677,830 S	*	3/2013	Daniels	D26/102
D688,647 S	*	8/2013	Dangerfield	D14/203.6
D708,974 S	*	7/2014	Dauwalter, III	D10/104.1
D715,760 S	*	10/2014	Kim	D14/188
D751,052 S	*	3/2016	Jones	D14/203.6

* cited by examiner

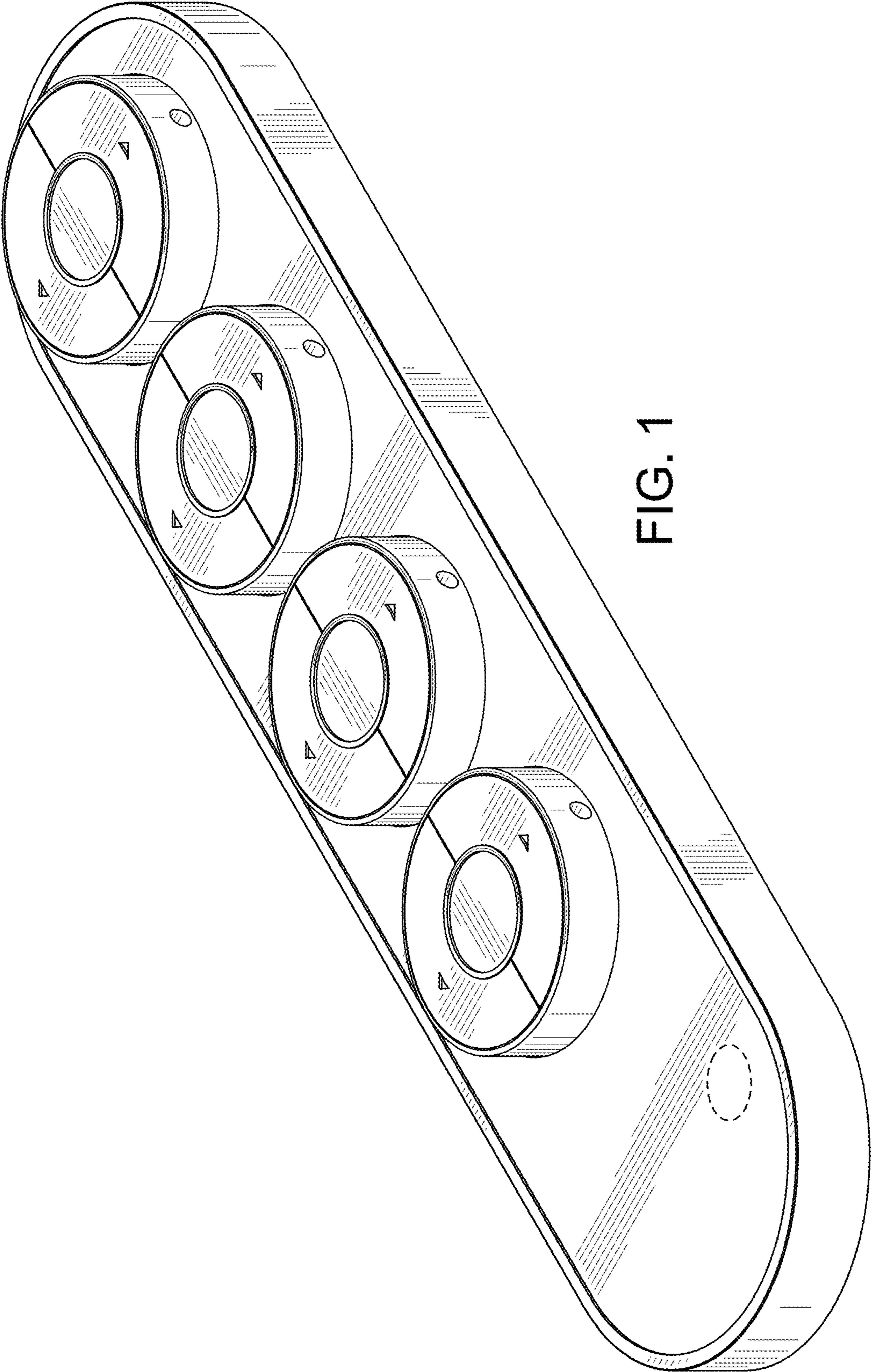


FIG. 1

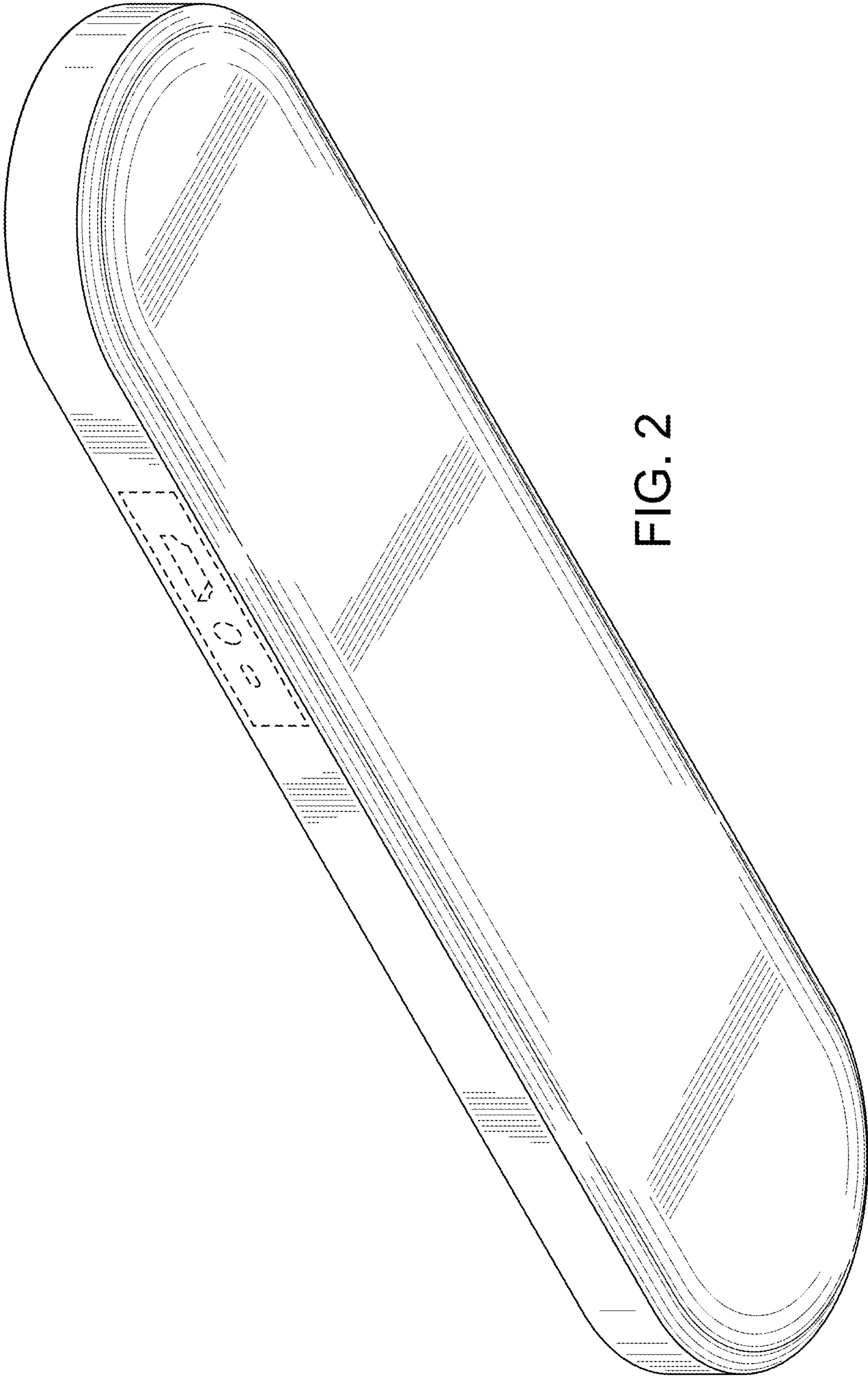


FIG. 2

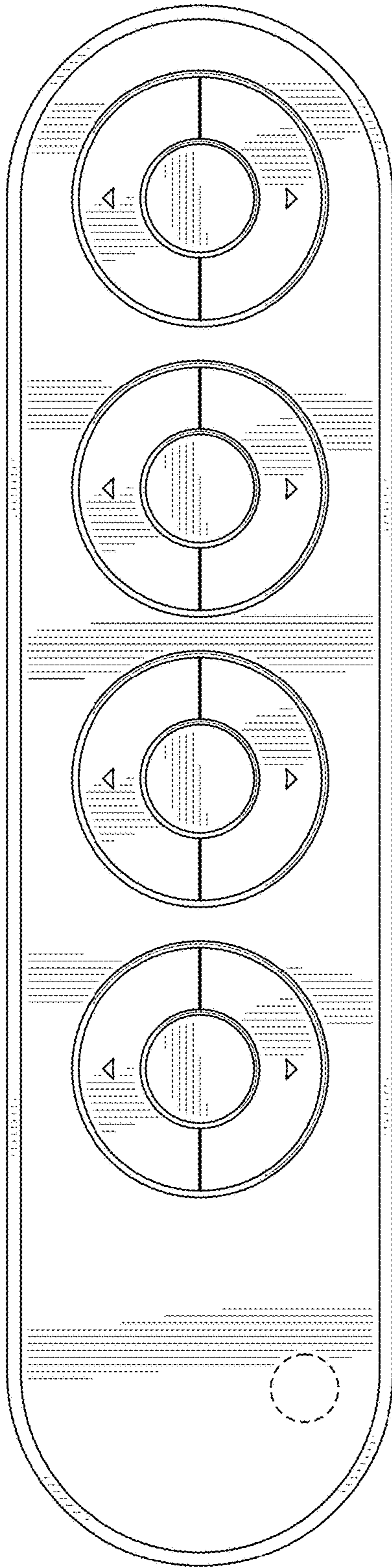


FIG. 3

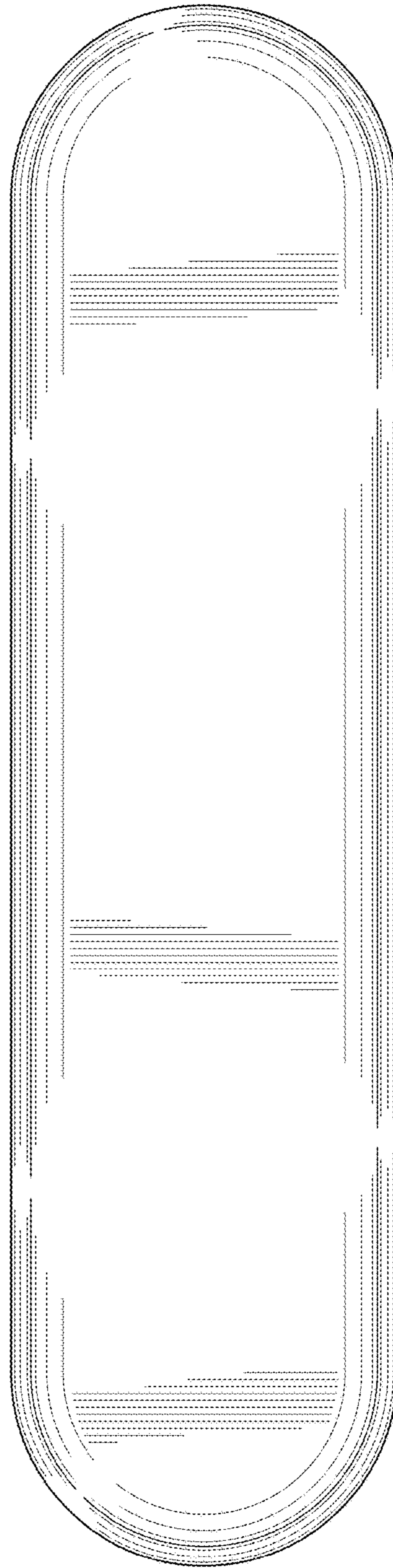


FIG. 4

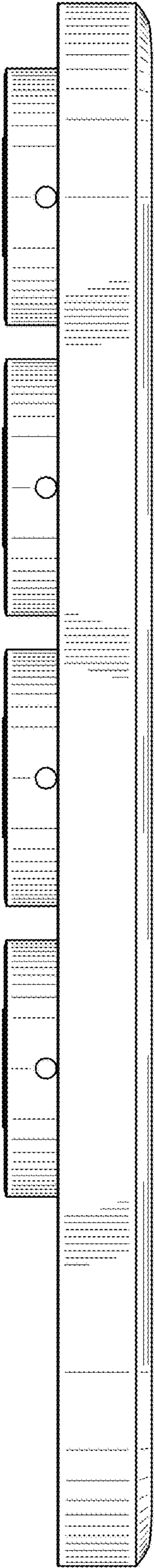


FIG. 5

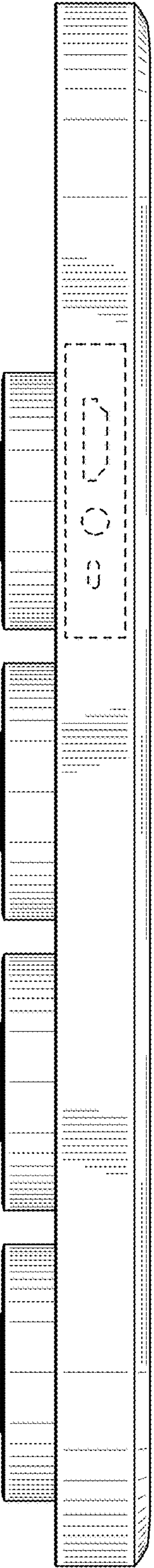


FIG. 6

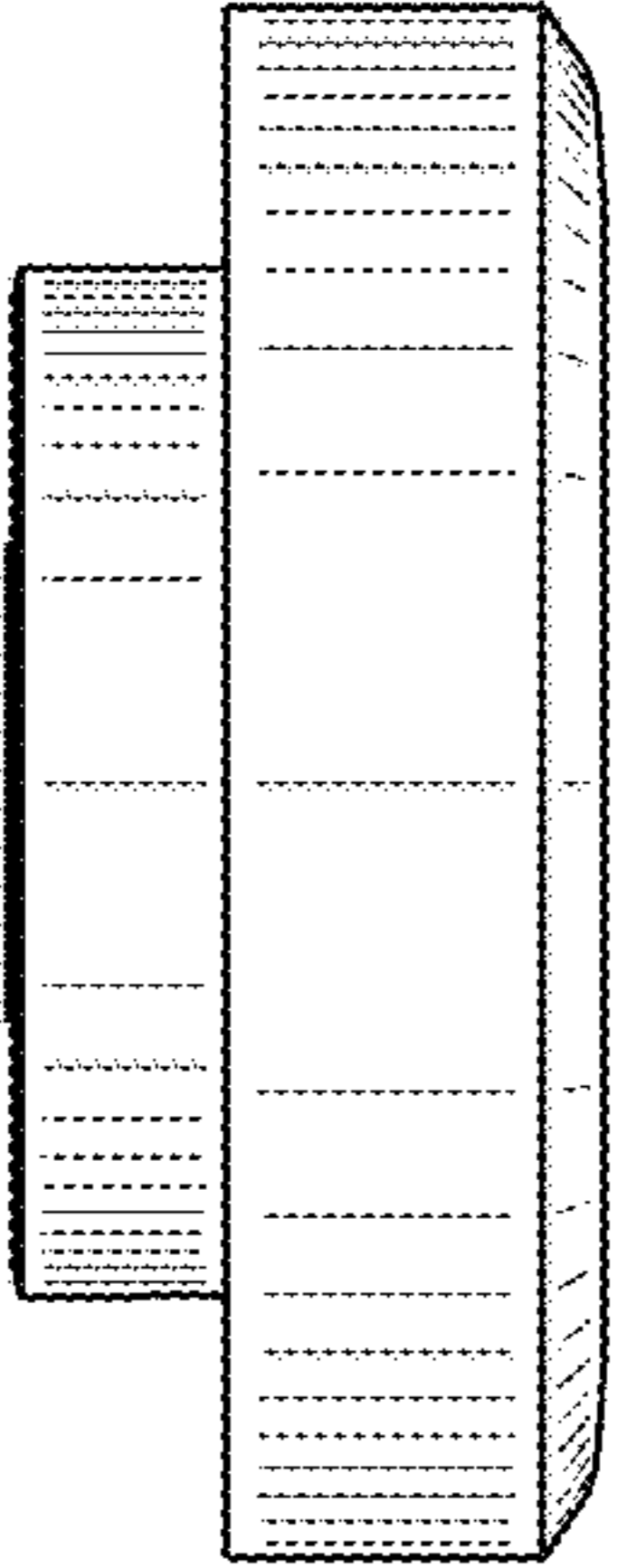


FIG. 7