



US00D784285S

(12) **United States Design Patent**  
**Jeon et al.**

(10) **Patent No.:** **US D784,285 S**  
(45) **Date of Patent:** **\*\* Apr. 18, 2017**

(54) **TELEPHONE**

(71) Applicant: **Samsung Electronics Co., Ltd.**,  
Suwon-si, Gyeonggi-do (KR)  
(72) Inventors: **Soyoon Jeon**, Guri-si (KR); **Jihee Kwak**, Seoul (KR); **Moonjung Jang**,  
Gunpo-si (KR)  
(73) Assignee: **SAMSUNG ELECTRONICS CO., LTD.**,  
Suwon-si, Gyeonggi-Do (KR)  
(\*\*) Term: **15 Years**  
(21) Appl. No.: **29/531,518**  
(22) Filed: **Jun. 26, 2015**

(30) **Foreign Application Priority Data**

Jan. 13, 2015 (KR) ..... 30-2015-0001611

(51) **LOC (10) Cl.** ..... **14-03**

(52) **U.S. Cl.**  
USPC ..... **D14/151**

(58) **Field of Classification Search**

USPC ... D14/140, 140.1, 140.7, 140.8, 141.2, 142,  
D14/147, 148, 149, 151, 150, 158, 159,  
D14/188, 217, 240, 243, 247, 248, 251,  
D14/299, 329; D21/517; D18/1, 7;  
D10/104.1; 455/557, 575, 575.1, 575.2,  
455/575.3, 575.4, 74.1; 710/303;  
379/88.17, 90.01, 93.17, 387.01, 388.02,  
379/419-420.04, 428.01-428.04,  
379/434-436, 440, 446-447, 454-455,  
379/93.23  
CPC ..... H04M 1/00; H04M 1/003; H04M 1/02;  
H04M 1/03; H04M 1/04; H04M 1/0202;  
H04M 1/0297; H04M 1/20; H04M 1/21;  
H04M 1/22; H04M 1/23; H04M 1/233;  
H04M 1/236

See application file for complete search history.

(56) **References Cited**

U.S. PATENT DOCUMENTS

3,384,718 A \* 5/1968 Wilder ..... H04M 1/0202  
379/370  
D248,234 S \* 6/1978 Genaro ..... 379/455  
D257,977 S \* 1/1981 Blomberg ..... D14/148  
D273,491 S \* 4/1984 Perkins ..... D14/153  
D276,721 S \* 12/1984 Marshall ..... D14/150  
D278,531 S \* 4/1985 McGarvey ..... 379/436  
D282,542 S \* 2/1986 Mo ..... 379/436  
D283,614 S \* 4/1986 Somaschini ..... 348/14.01  
D284,572 S \* 7/1986 Perkins ..... D14/150  
D284,655 S \* 7/1986 Marshall ..... D14/149

(Continued)

*Primary Examiner* — Susan Bennett Hattan

*Assistant Examiner* — Marie Fast Horse

(74) *Attorney, Agent, or Firm* — Ladas & Parry LLP

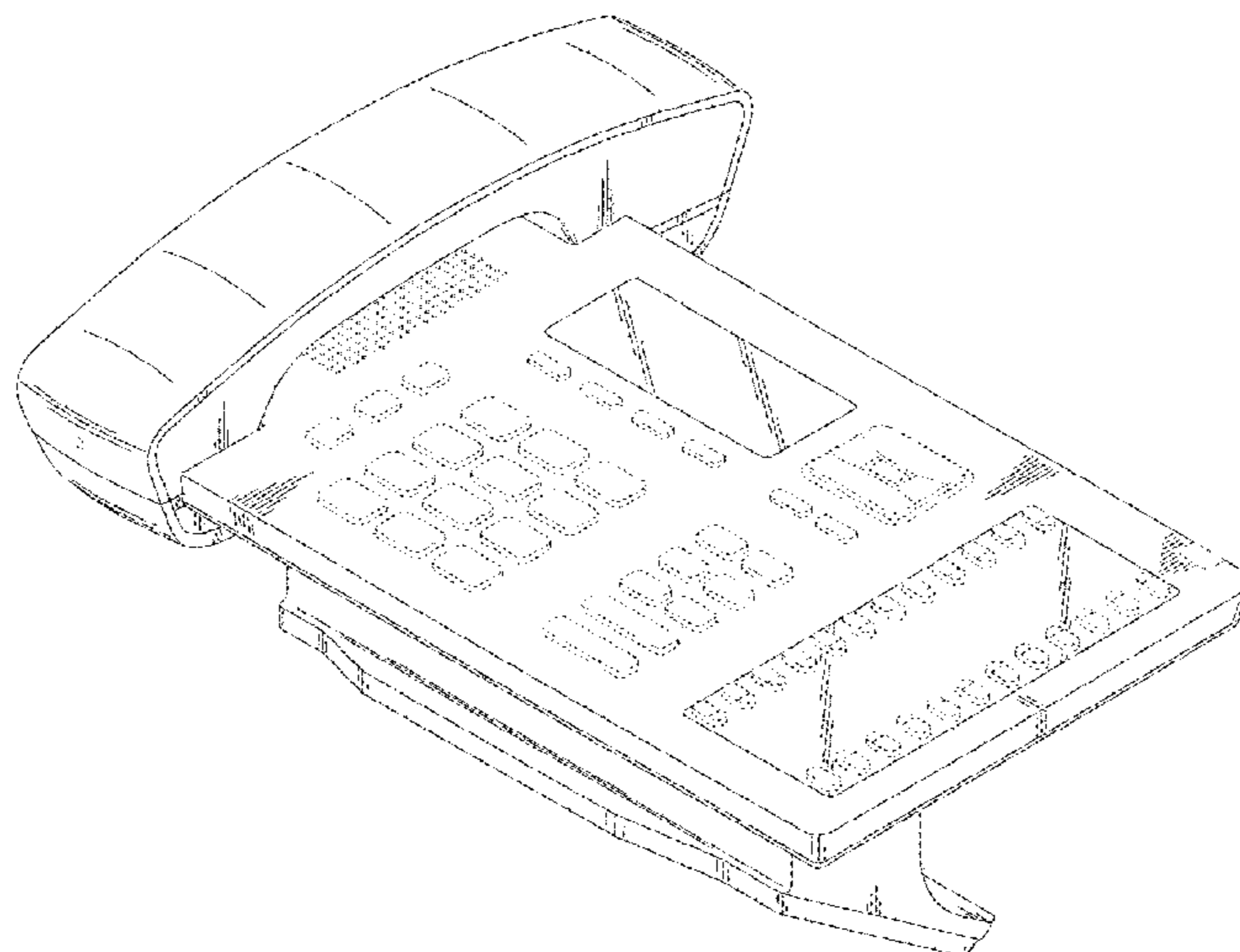
(57) **CLAIM**

We claim the ornamental design for a telephone, as shown and described.

**DESCRIPTION**

FIG. 1 is the front perspective view of a telephone showing our new design;  
FIG. 2 is the front view thereof;  
FIG. 3 is the rear view thereof;  
FIG. 4 is the left-side view thereof;  
FIG. 5 is the right-side view thereof;  
FIG. 6 is the top plan view thereof;  
FIG. 7 is the bottom plan view thereof; and,  
FIG. 8 is another front perspective view thereof, shown with environmental subject matter.  
The broken lines in FIG. 8 showing a cord depict environmental subject matter and form no part of the claimed design, while all other broken lines depict portions of the telephone that form no part of the claimed design. The unshaded surfaces shown between solid lines and broken lines form no part of the claim.

**1 Claim, 8 Drawing Sheets**



(56)

**References Cited**

U.S. PATENT DOCUMENTS

D287,493	S *	12/1986	Young .....	D14/148
D287,964	S *	1/1987	Perkins .....	D14/149
D289,755	S *	5/1987	Todeschini .....	D14/153
D326,851	S *	6/1992	Solomita .....	D14/148
D330,201	S *	10/1992	Preece .....	D14/151
D427,985	S *	7/2000	Takayama .....	D14/130
6,445,793	B1 *	9/2002	Vassallo .....	H04M 1/11 379/428.01
D464,035	S *	10/2002	Nam .....	D14/151
6,711,257	B1 *	3/2004	Vassallo .....	H04M 1/22 379/376.01
D552,071	S *	10/2007	Park .....	D14/151
D558,181	S *	12/2007	Takada .....	D14/142
D575,262	S *	8/2008	Brown .....	D14/151
D575,263	S *	8/2008	Brown .....	D14/151
D576,146	S *	9/2008	Brown .....	D14/151
D582,886	S *	12/2008	Woo .....	D14/151
D723,502	S *	3/2015	Chun .....	D14/130
D723,503	S *	3/2015	Jeon .....	D14/130
D733,675	S *	7/2015	Jeon .....	D14/151
D734,289	S *	7/2015	Jeon .....	D14/142
2005/0069126	A1 *	3/2005	Xue .....	H04M 1/12 379/454
2006/0058003	A1 *	3/2006	Lee .....	H04M 1/2535 455/403
2009/0283655	A1 *	11/2009	Fukuda .....	F16M 11/10 248/454

\* cited by examiner

FIG. 1

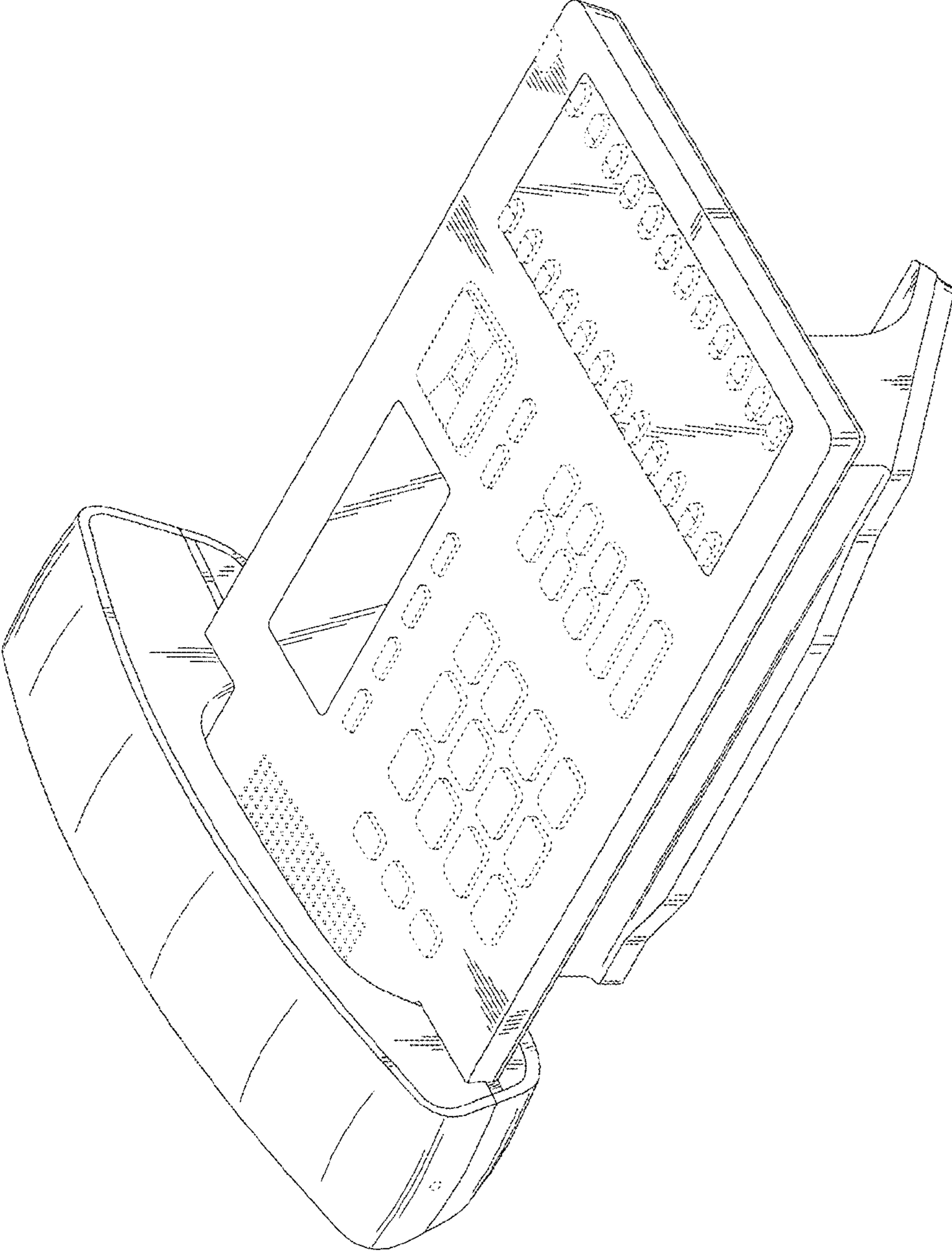


FIG. 2

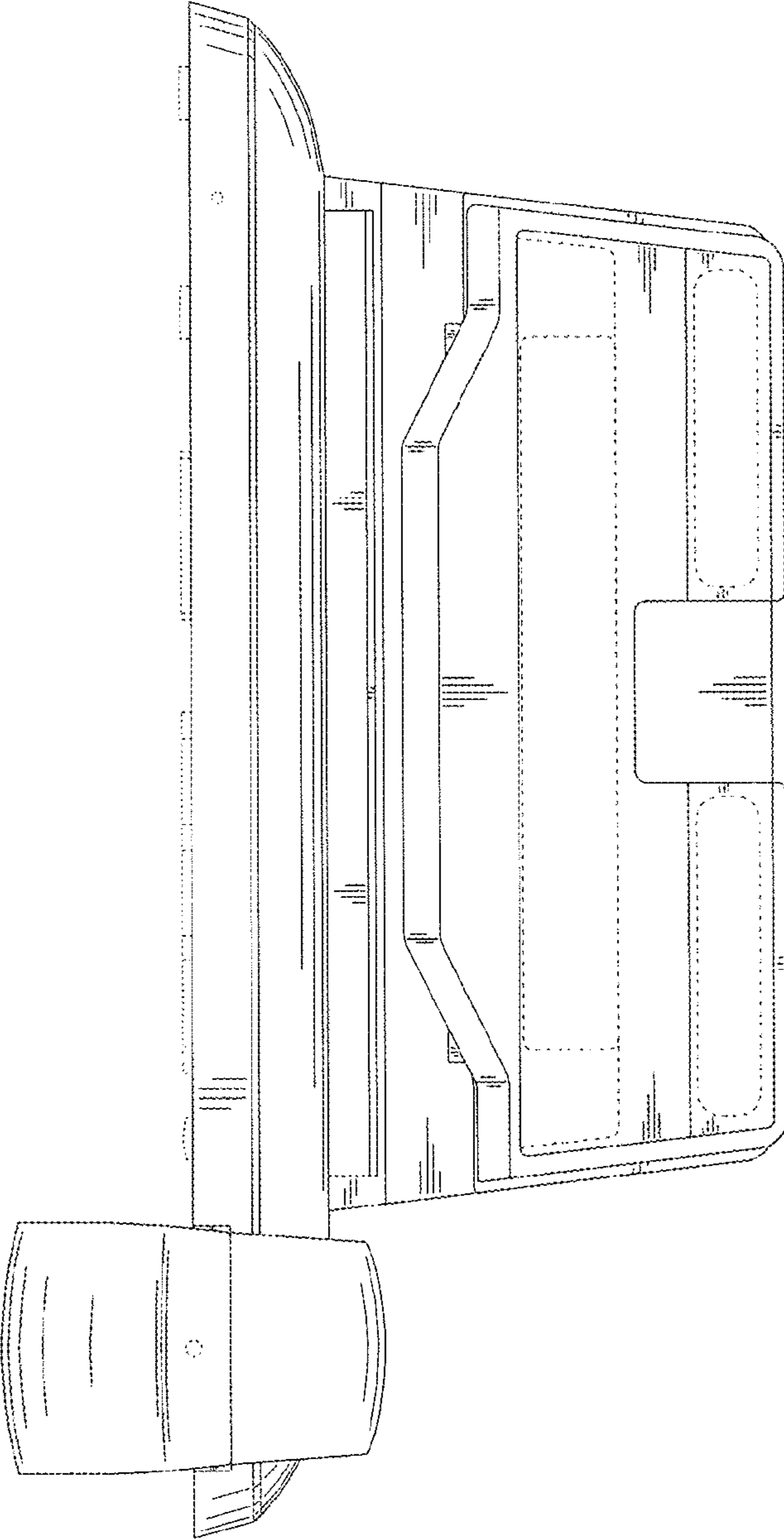


FIG. 3

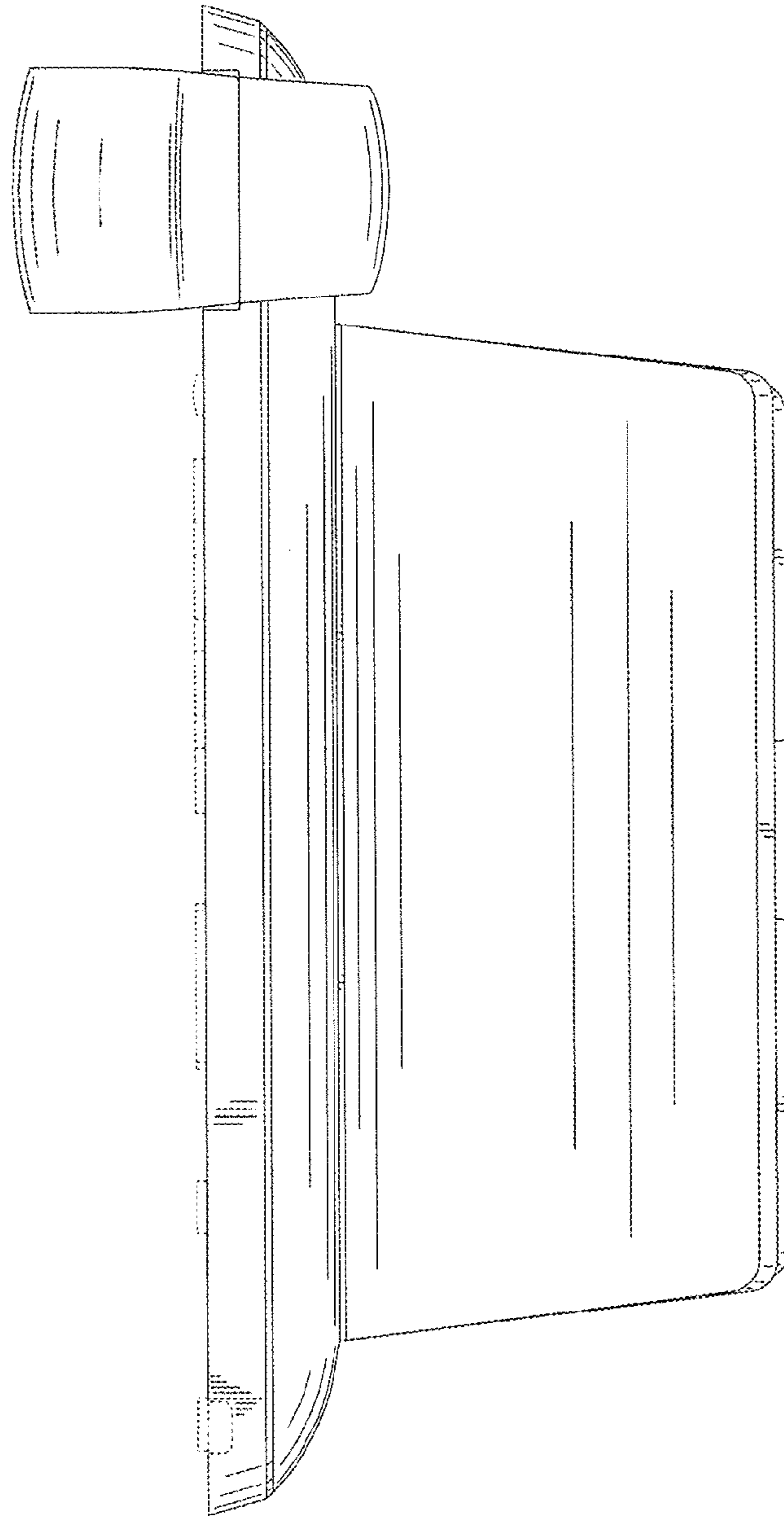


FIG. 4

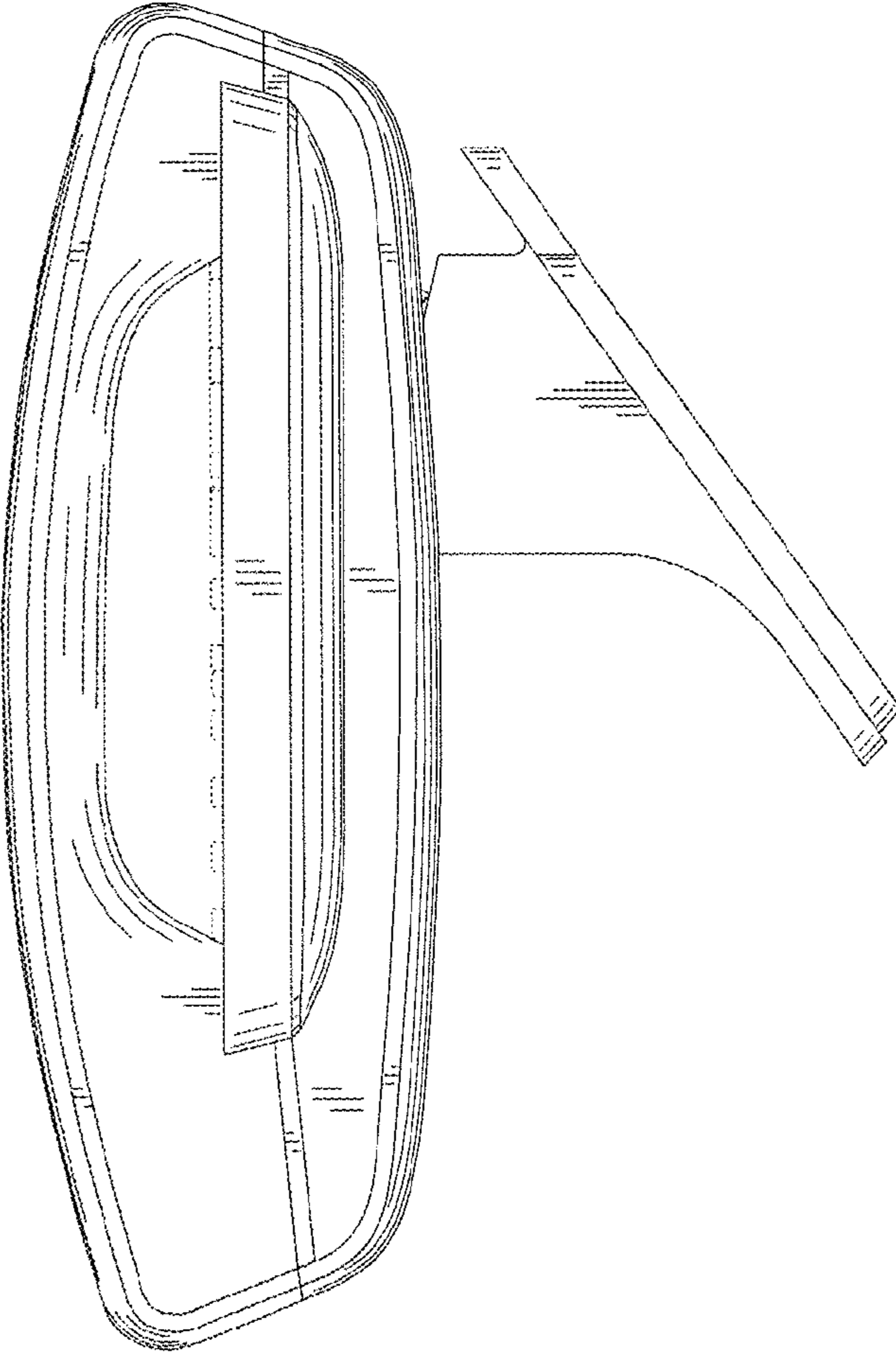


FIG. 5

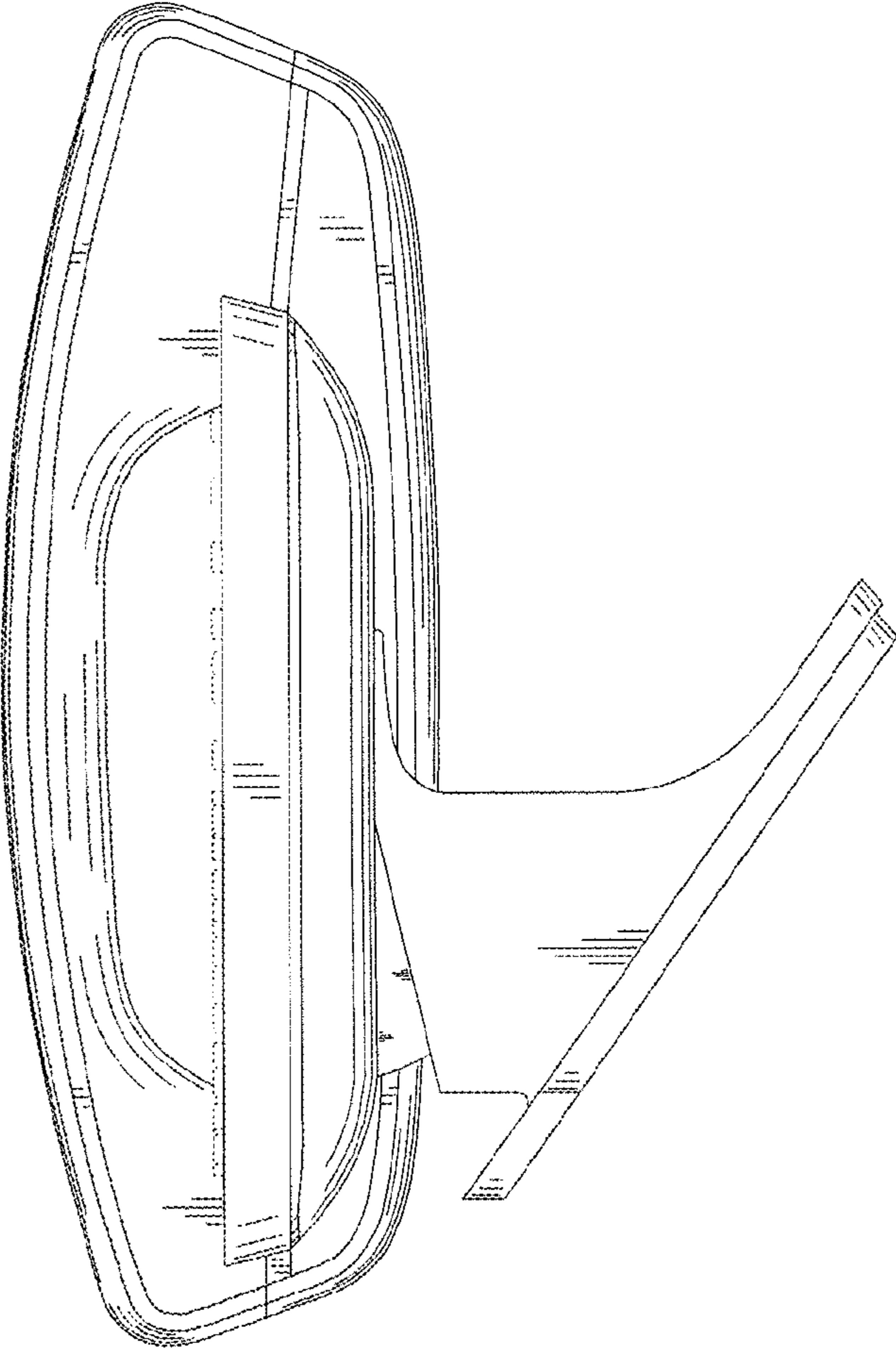


FIG. 6

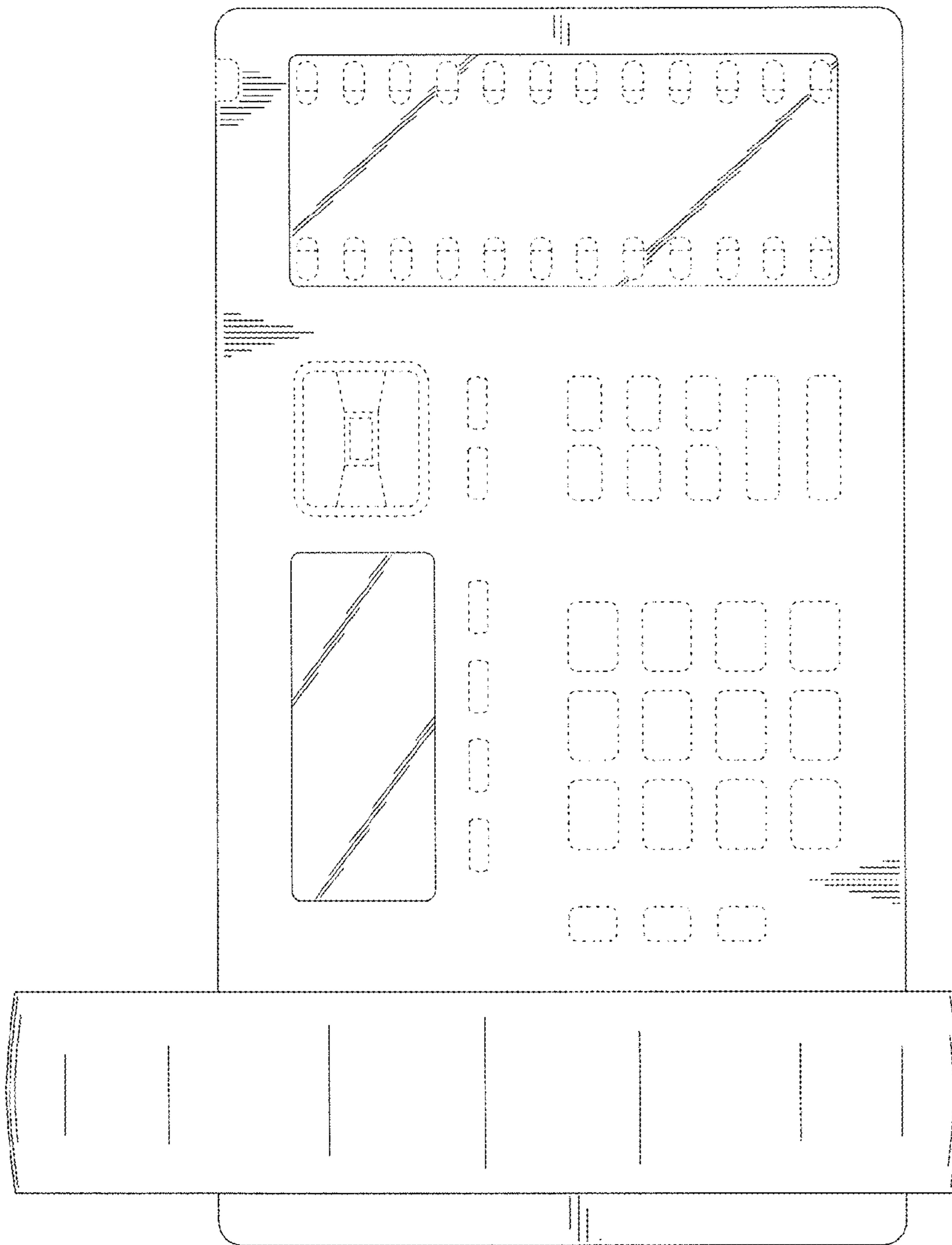




FIG. 7

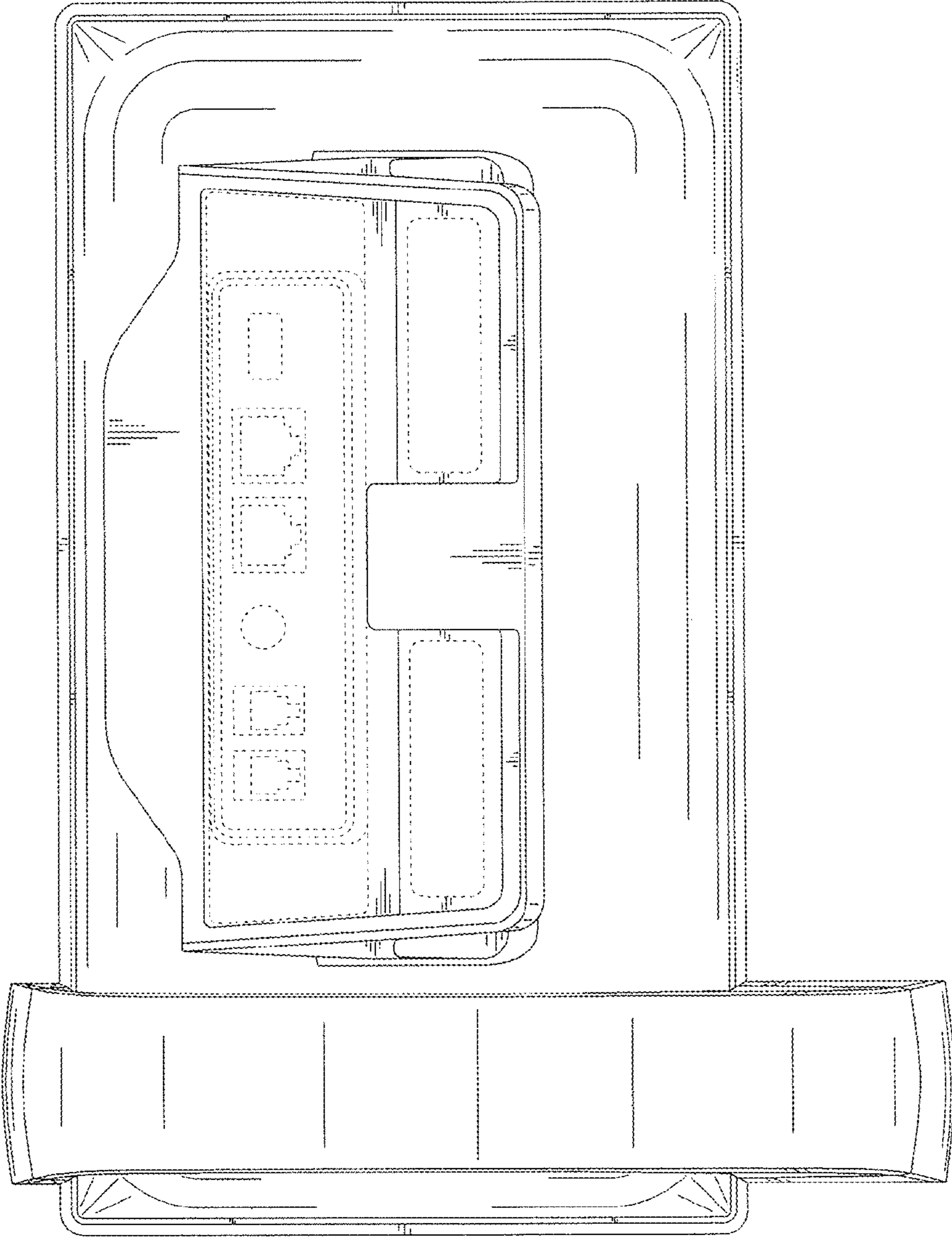


FIG. 8

