



US00D784283S

(12) **United States Design Patent** (10) **Patent No.:** **US D784,283 S**  
**Snyder et al.** (45) **Date of Patent:** **\*\* Apr. 18, 2017**

(54) **PHONE BASE WITH HANDSET**

(56) **References Cited**

(71) Applicant: **Cisco Technology, Inc.**, San Jose, CA (US)

U.S. PATENT DOCUMENTS

(72) Inventors: **Ian Matthew Snyder**, San Francisco, CA (US); **Matthew Cho**, San Francisco, CA (US); **Morgan Teachworth**, Mountain View, CA (US); **Jennifer Ouk**, San Francisco, CA (US); **Alexander Gioe**, San Francisco, CA (US)

D291,567 S *	8/1987	Read .....	D14/149
D323,657 S *	2/1992	Danielson .....	379/368
D324,036 S *	2/1992	Wakasa .....	D14/144
D410,229 S *	5/1999	Chiocchi .....	D14/130
D411,987 S *	7/1999	Mizusugi .....	D14/130

(Continued)

(73) Assignee: **CISCO TECHNOLOGY, INC.**, San Jose, CA (US)

OTHER PUBLICATIONS

Grandstream GXV3175 a Solid IP Multimedia Value. blog.tmcnet.com. (online) 3 pgs. Posted Dec. 14, 2010. [retrieved on Aug. 30, 2016] <http://blog.tmcnet.com/blog/rich-tehrani/ip-communications/grandstream-gvx3175-a-solid-ip-multimedia-value.html>.\*

(\*\*) Term: **15 Years**

*Primary Examiner* — Susan Bennett Hattan

*Assistant Examiner* — Marie Fast Horse

(21) Appl. No.: **29/534,542**

(74) *Attorney, Agent, or Firm* — Polsinelli PC

(22) Filed: **Jul. 29, 2015**

(57) **CLAIM**

(51) **LOC (10) Cl.** ..... **14-03**

We claim the ornamental design for a phone base with handset, as shown and described.

(52) **U.S. Cl.**

**DESCRIPTION**

USPC ..... **D14/144**

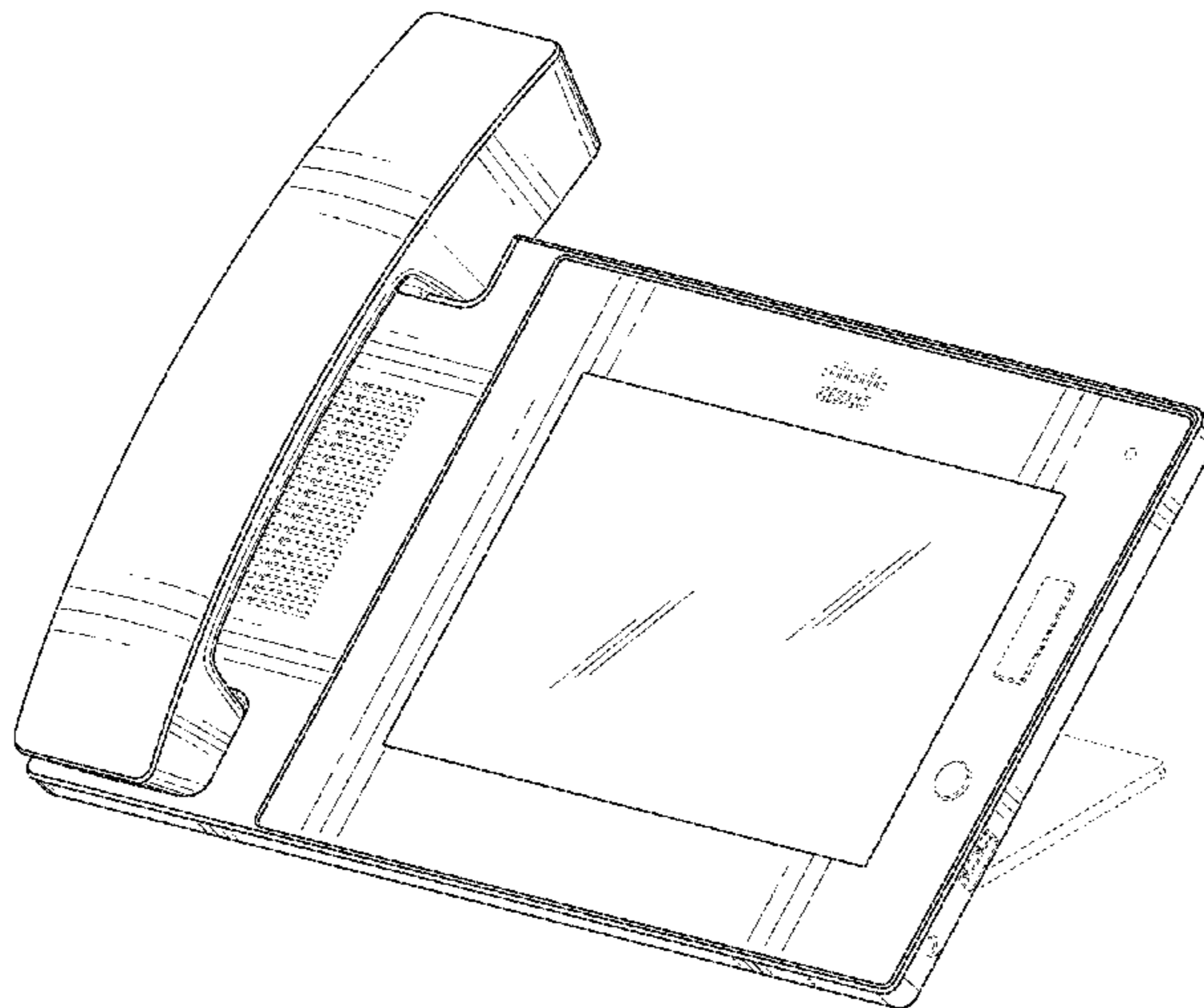
(58) **Field of Classification Search**

USPC ... D14/130, 140, 140.1, 140.7, 140.8, 140.9, D14/141.2, 142, 147, 144, 148, 149, 151, D14/150, 158, 159, 188, 217, 240, 243, D14/247, 248, 251, 257, 299, 329; D21/517; D18/1, 7; D10/104.1; 455/557, 575, 575.1, 575.2, 575.3, 575.4, 455/74.1; 710/303; 379/88.17, 90.01, 379/93.17, 387.01, 388.02, 419-420.04, 379/420.02, 428.01-428.04, 434-436, 379/440, 446-447, 454-455, 93.23

CPC ..... H04M 1/00; H04M 1/003; H04M 1/02; H04M 1/03; H04M 1/04; H04M 1/0202; H04M 1/0295; H04M 1/0297; H04M 1/20; H04M 1/21; H04M 1/22; H04M 1/23; H04M 1/233; H04M 1/236; A63H 33/30; A63H 33/3016

See application file for complete search history.

**1 Claim, 8 Drawing Sheets**



(56)

**References Cited**

U.S. PATENT DOCUMENTS

D479,517	S	*	9/2003	Weidinger	.....	D14/151
D552,071	S	*	10/2007	Park	.....	D14/151
D585,397	S	*	1/2009	Hwang	.....	D14/130
D604,258	S	*	11/2009	Rinaldi	.....	D14/130
D615,066	S	*	5/2010	Huang	.....	D14/130
D620,464	S	*	7/2010	Quiros	.....	D14/130
D620,472	S	*	7/2010	Robinson	.....	D14/149
D629,381	S	*	12/2010	Verthein	.....	D14/142
D636,769	S	*	4/2011	Wood	.....	D14/341
D653,646	S	*	2/2012	Hovdal	.....	D14/142
D654,074	S	*	2/2012	Wood	.....	D14/341
D657,773	S	*	4/2012	Corsini	.....	D14/151
D658,616	S	*	5/2012	Van Der Flier	.....	D14/130
D658,627	S	*	5/2012	Katori	.....	D14/130
D668,901	S	*	10/2012	Jones	.....	D6/575
D675,592	S	*	2/2013	Fuxen	.....	D14/151
D686,184	S	*	7/2013	Takahata	.....	D14/151
D725,623	S	*	3/2015	Hartmann	.....	D14/140
D744,464	S	*	12/2015	Snyder	.....	D14/240
D757,677	S	*	5/2016	Hutt	.....	D14/151
D763,219	S	*	8/2016	Engelke	.....	D14/151

\* cited by examiner

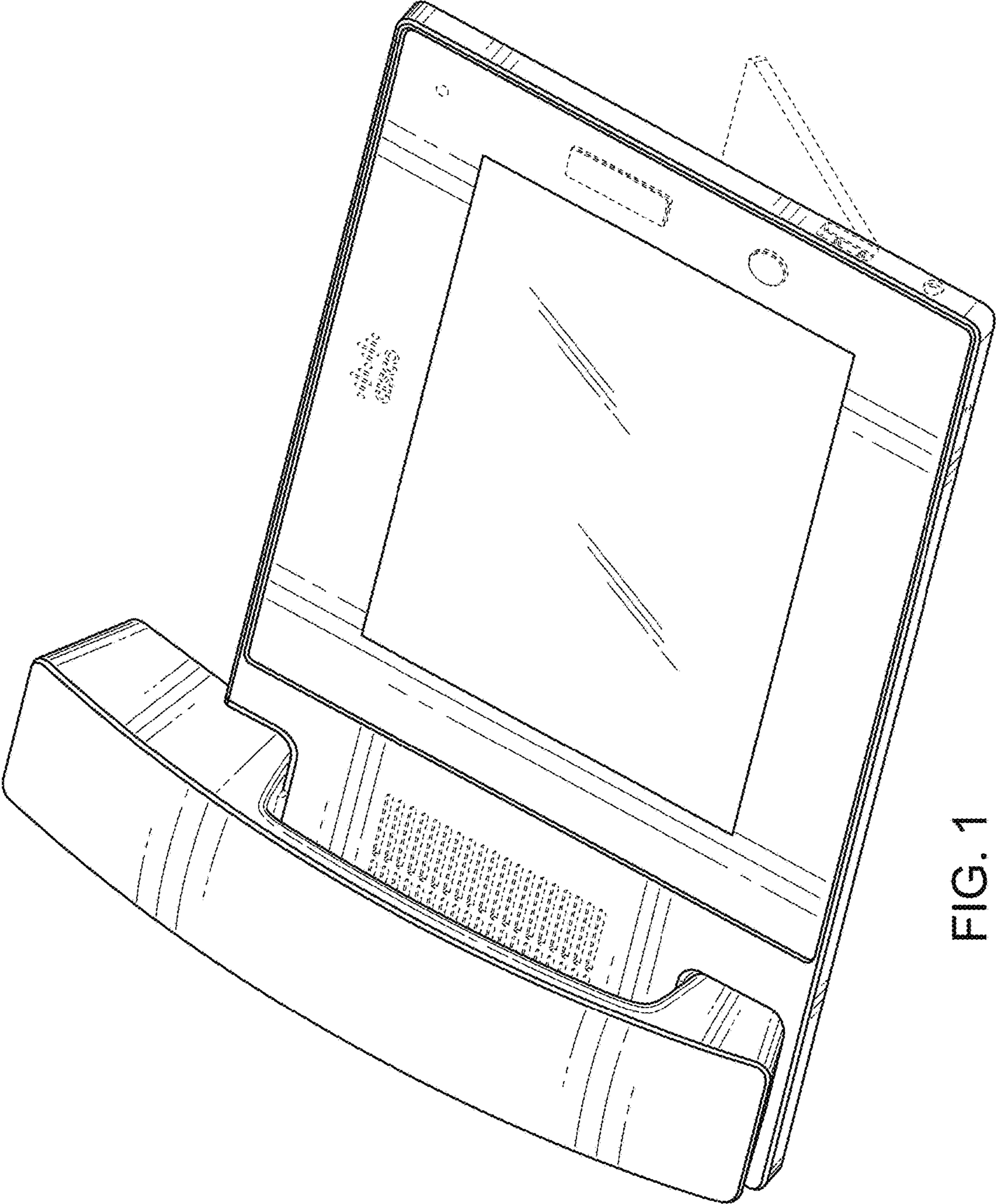
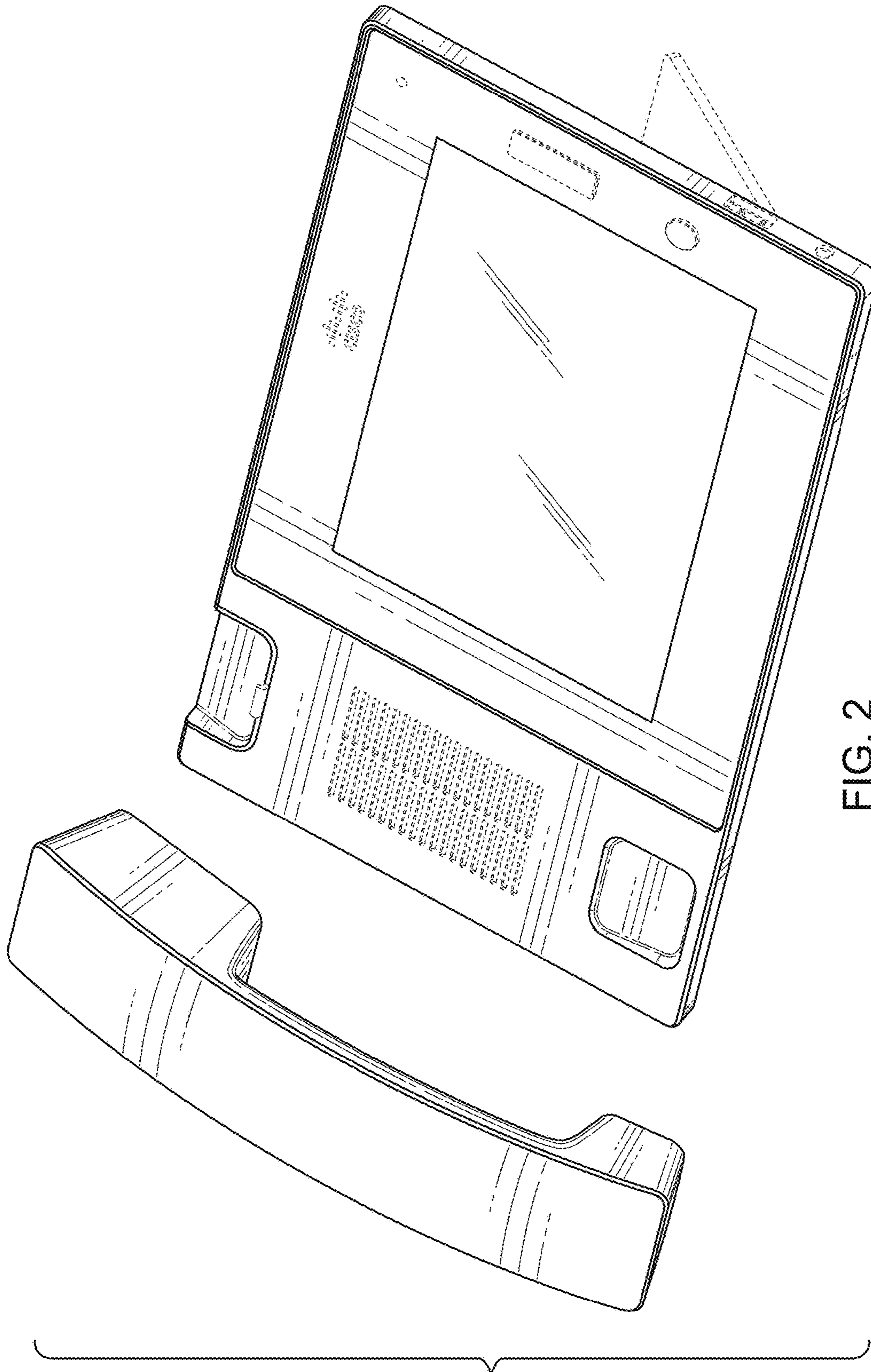


FIG. 1



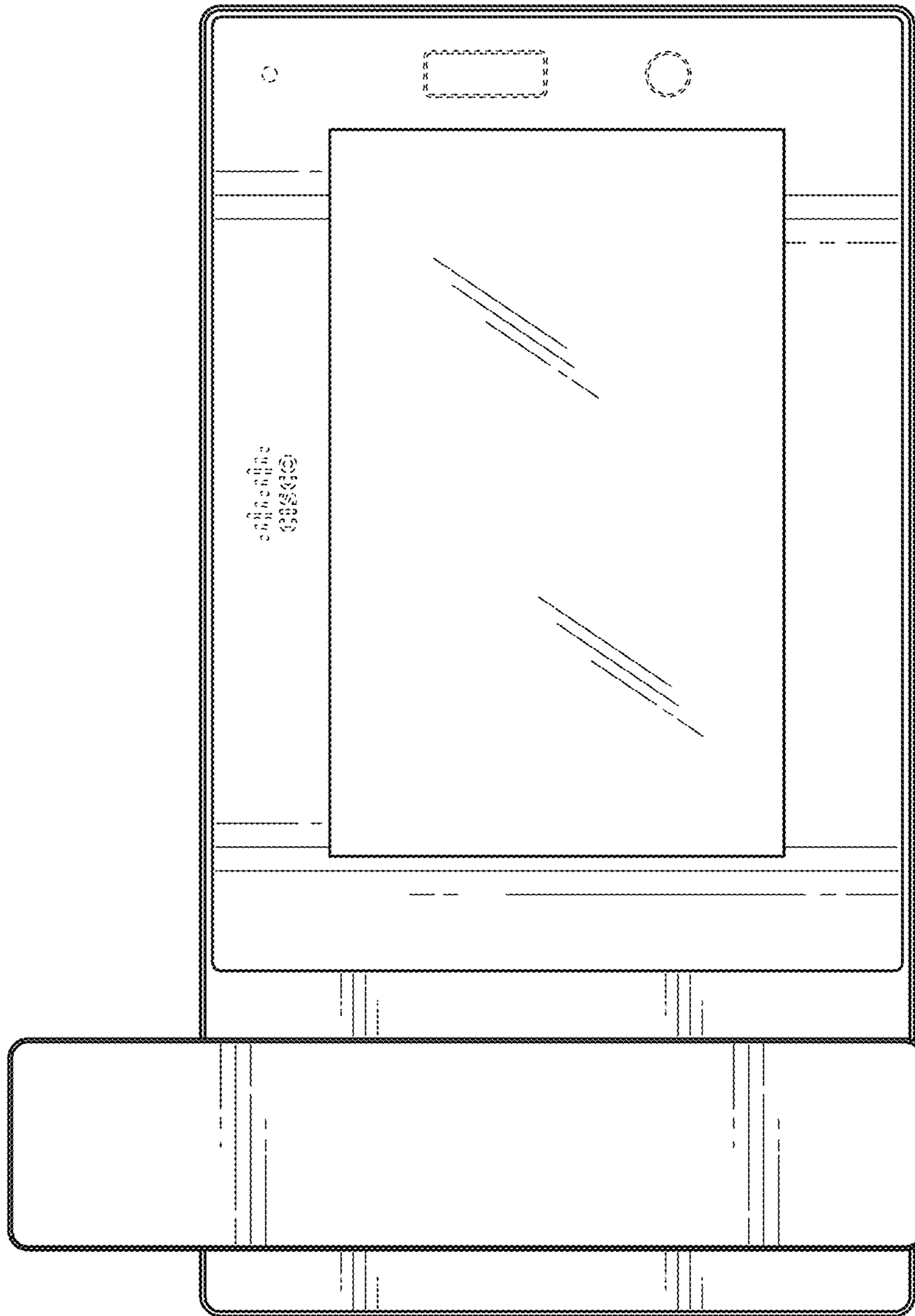


FIG. 3

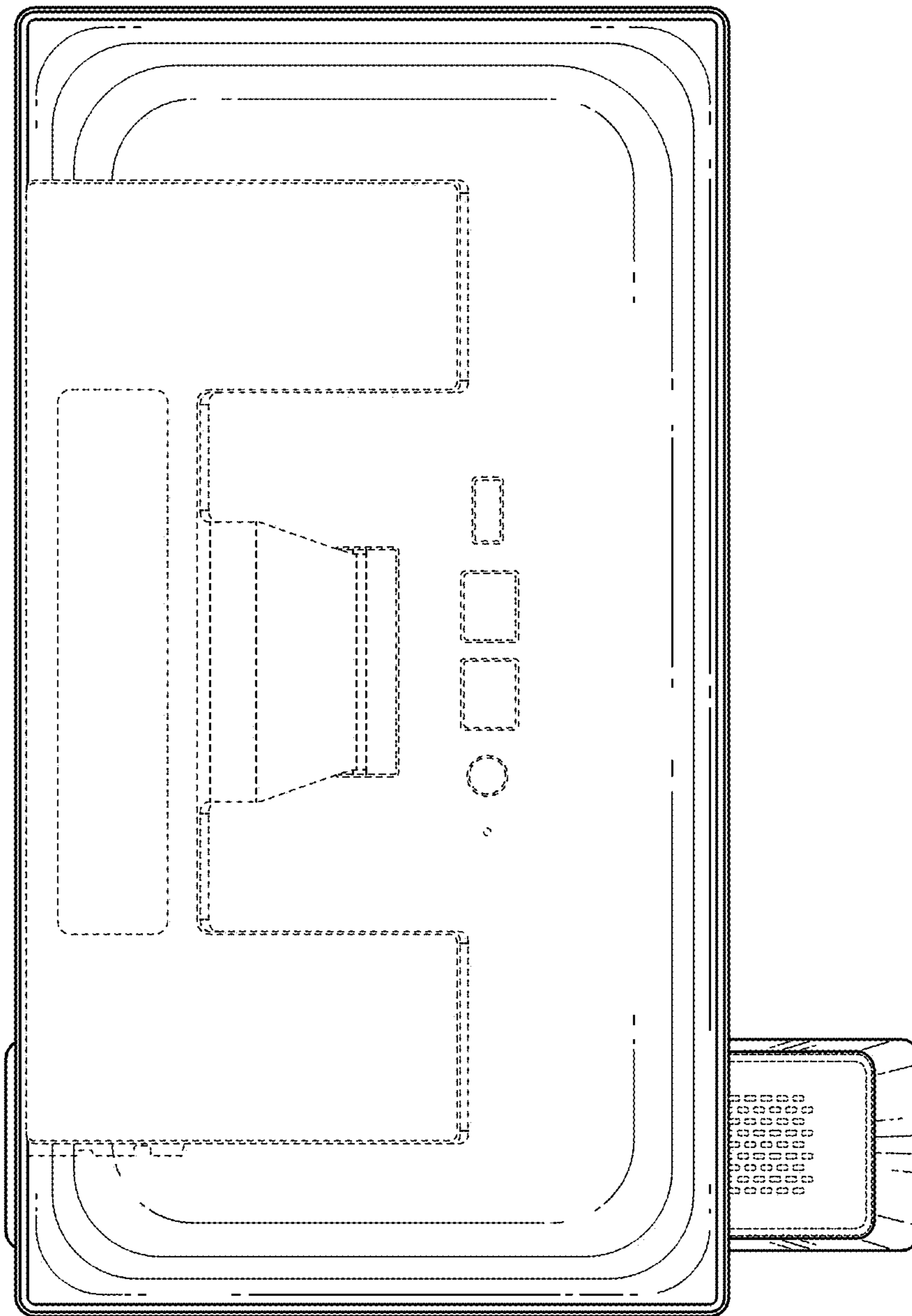


FIG. 4

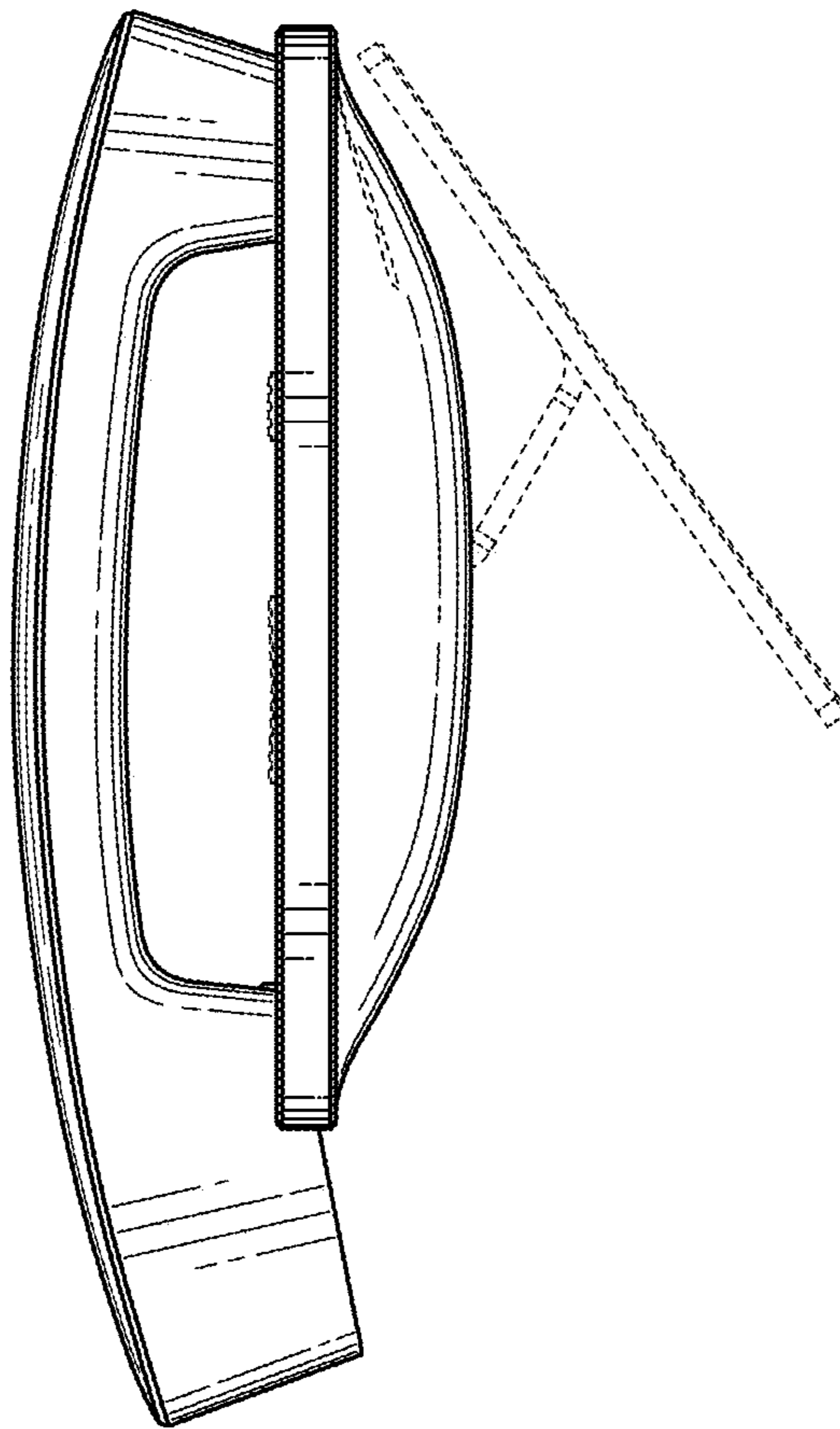


FIG. 5

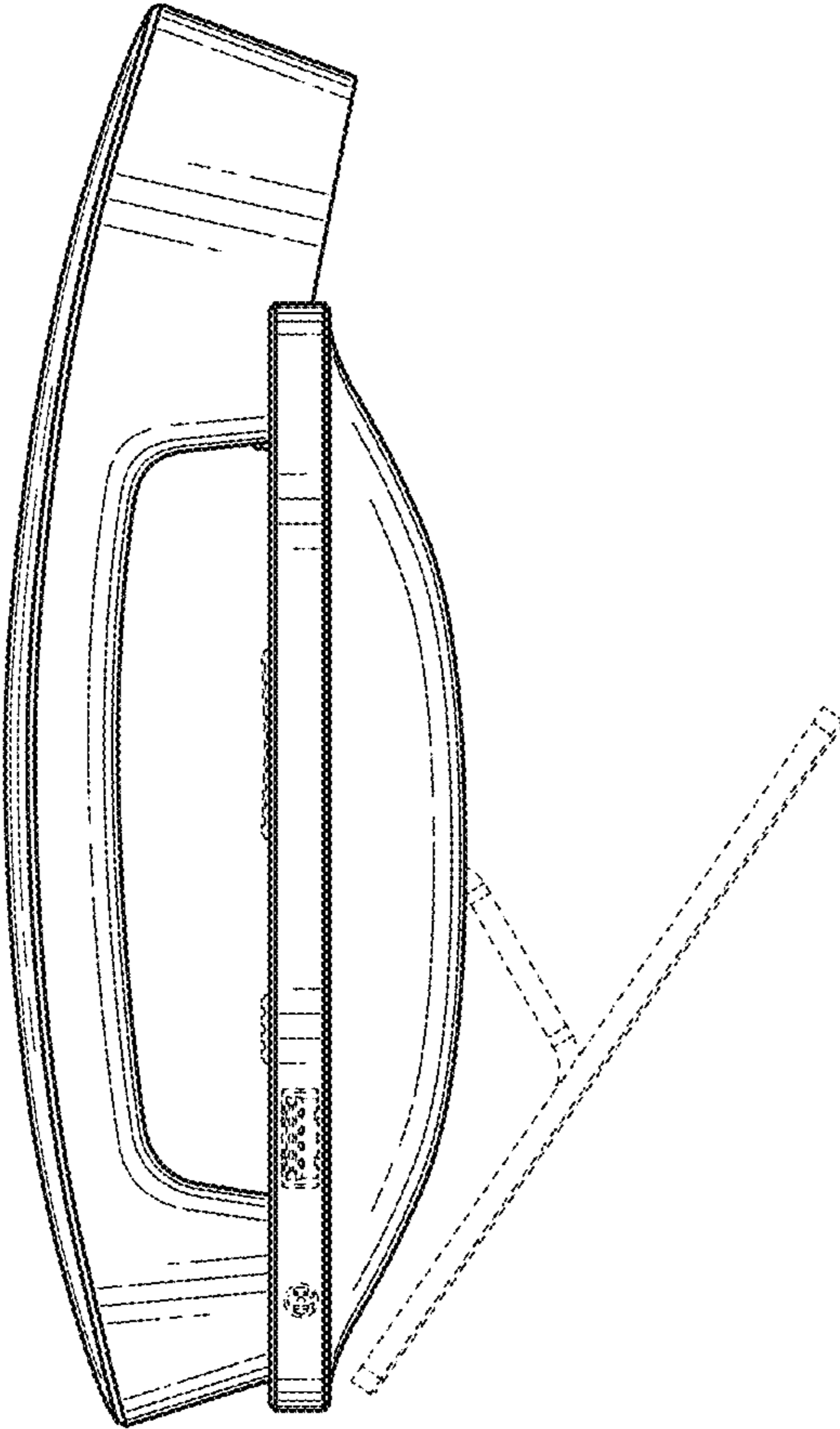


FIG. 6



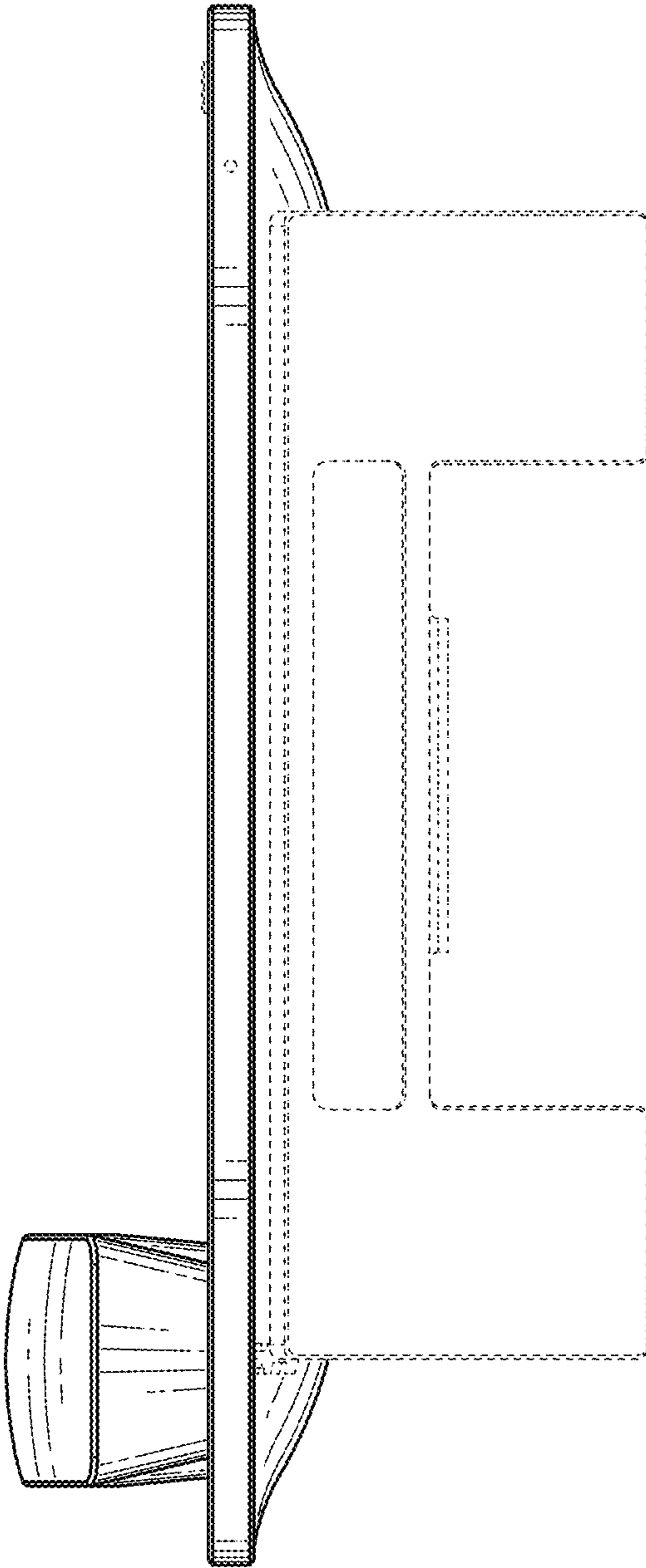


FIG. 7

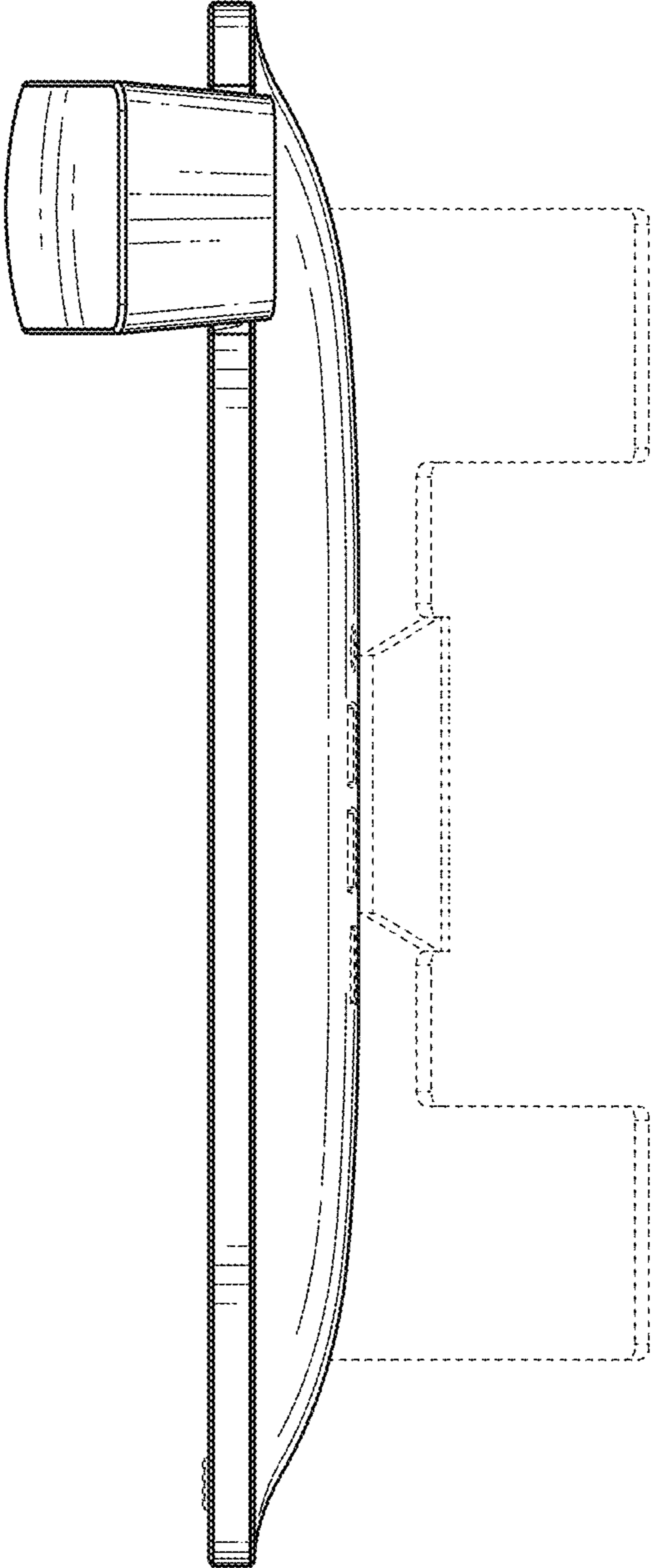


FIG. 8