



US00D784276S

(12) **United States Design Patent**
Tiner et al.

(10) **Patent No.:** **US D784,276 S**

(45) **Date of Patent:** **** *Apr. 18, 2017**

(54) **SUSCEPTOR ASSEMBLY**

(71) Applicant: **Applied Materials, Inc.**, Santa Clara, CA (US)

(72) Inventors: **Robin L. Tiner**, Santa Cruz, CA (US);
Shinichi Kurita, San Jose, CA (US)

(73) Assignee: **APPLIED MATERIALS, INC.**, Santa Clara, CA (US)

(*) Notice: This patent is subject to a terminal disclaimer.

(**) Term: **14 Years**

(21) Appl. No.: **29/462,638**

(22) Filed: **Aug. 6, 2013**

(51) **LOC (10) Cl.** **13-03**

(52) **U.S. Cl.**
USPC **D13/182; D25/199; D13/199**

(58) **Field of Classification Search**
USPC D13/182, 199; D25/199; 438/6, 67, 107, 438/149; 257/625; 118/715, 720, 724, 118/725, 728, 729; 204/192.1, 298.01
CPC C23C 16/46; C23C 16/463; C23C 16/466; C23C 16/458; C23C 16/4581; C23C 16/4582; C23C 16/4583; C23C 16/4586; C23C 16/4587; C23C 16/481; C23C 16/50; C23C 14/50; C23C 14/505; H01L 21/67005; H01L 21/67011; H01L 21/67063; H01L 21/67098; H01L 21/67103; H01L 21/67109; H01L 21/67115

See application file for complete search history.

(56) **References Cited**

U.S. PATENT DOCUMENTS

3,796,182 A * 3/1974 Rosler 118/725
4,099,041 A * 7/1978 Berkman et al. 219/634

4,496,828 A * 1/1985 Kusmierz et al. 219/405
4,499,354 A * 2/1985 Hill et al. 219/634
4,986,215 A * 1/1991 Yamada et al. 118/728
5,074,017 A * 12/1991 Toya et al. 29/25.01
5,242,501 A * 9/1993 McDiarmid 118/728
5,844,205 A * 12/1998 White et al. 219/390
6,217,662 B1 * 4/2001 Kong et al. 118/725
7,122,844 B2 * 10/2006 Nakamura et al. 257/89
D675,172 S * 1/2013 Tiner D13/199
8,366,830 B2 * 2/2013 Nakamura et al. 118/725
D701,329 S * 3/2014 Tiner et al. D25/199
D713,200 S * 9/2014 Furuta et al. D7/409
D716,098 S * 10/2014 Furuta et al. D7/409
D717,113 S * 11/2014 Furuta et al. D7/409
2007/0029642 A1 * 2/2007 Inagawa et al. 257/625

* cited by examiner

Primary Examiner — Elizabeth J Oswecki

(74) *Attorney, Agent, or Firm* — Patterson & Sheridan, LLP

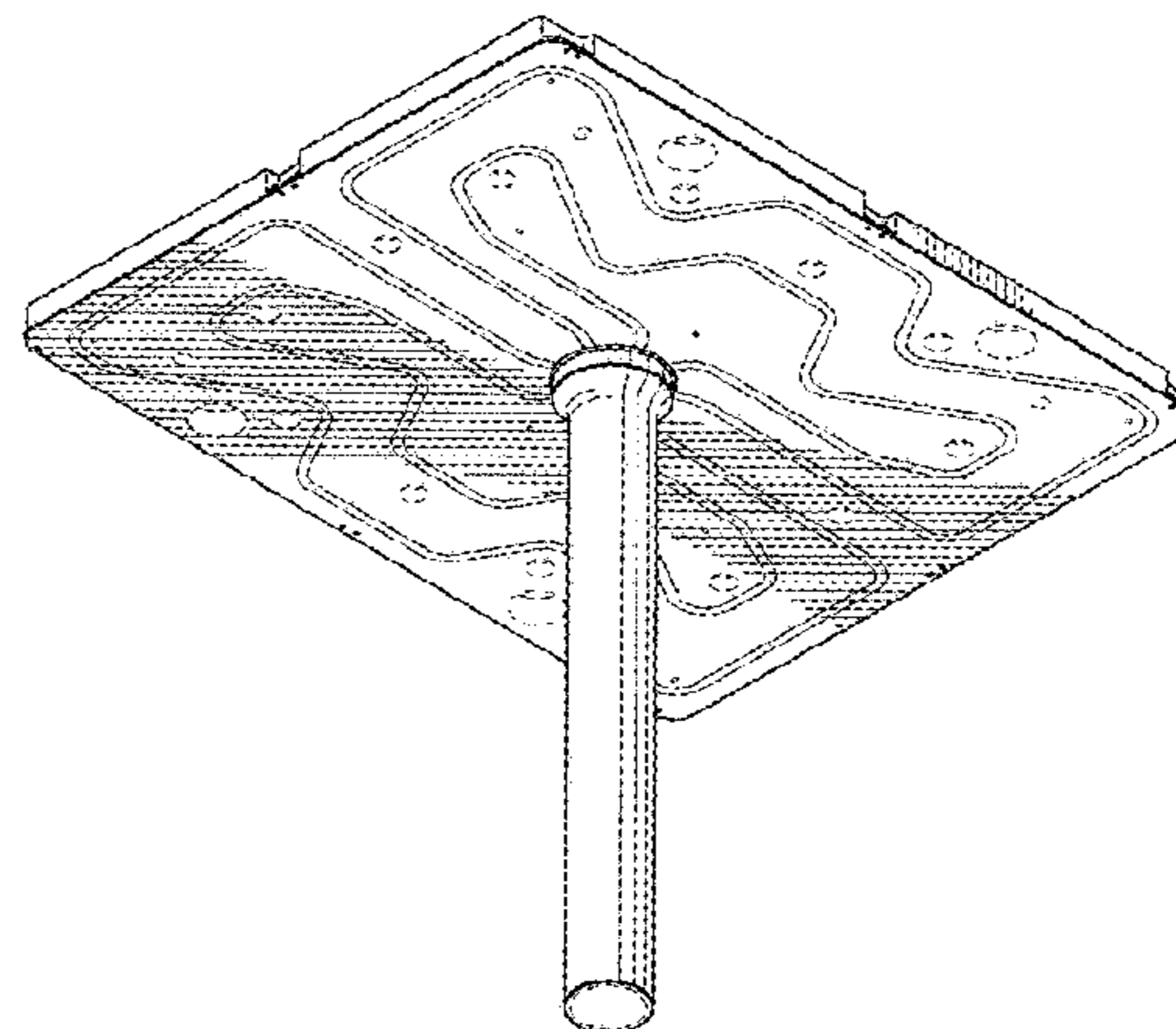
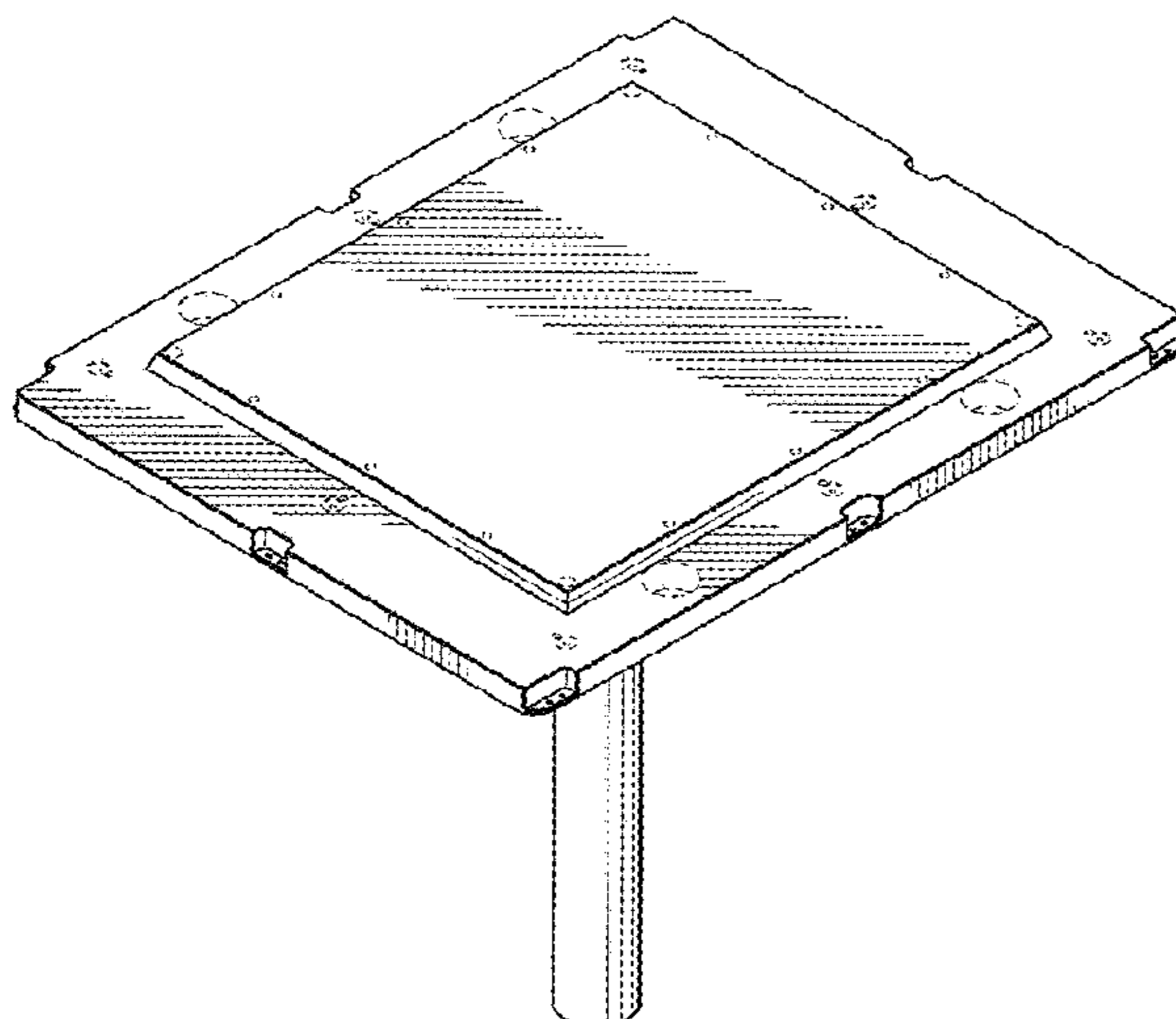
(57) **CLAIM**

The ornamental design for a susceptor assembly, as shown and described.

DESCRIPTION

FIG. 1 is a top perspective view of a susceptor assembly showing our new design;
FIG. 2 is a bottom perspective view thereof;
FIG. 3 is a top plan view thereof;
FIG. 4 is a bottom plan view thereof;
FIG. 5 is a front view thereof, the back view being a mirror image thereof; and,
FIG. 6 is a side view thereof, the opposite side view being a mirror image thereof.
The broken lines in the figures form no part of the claimed design.

1 Claim, 6 Drawing Sheets



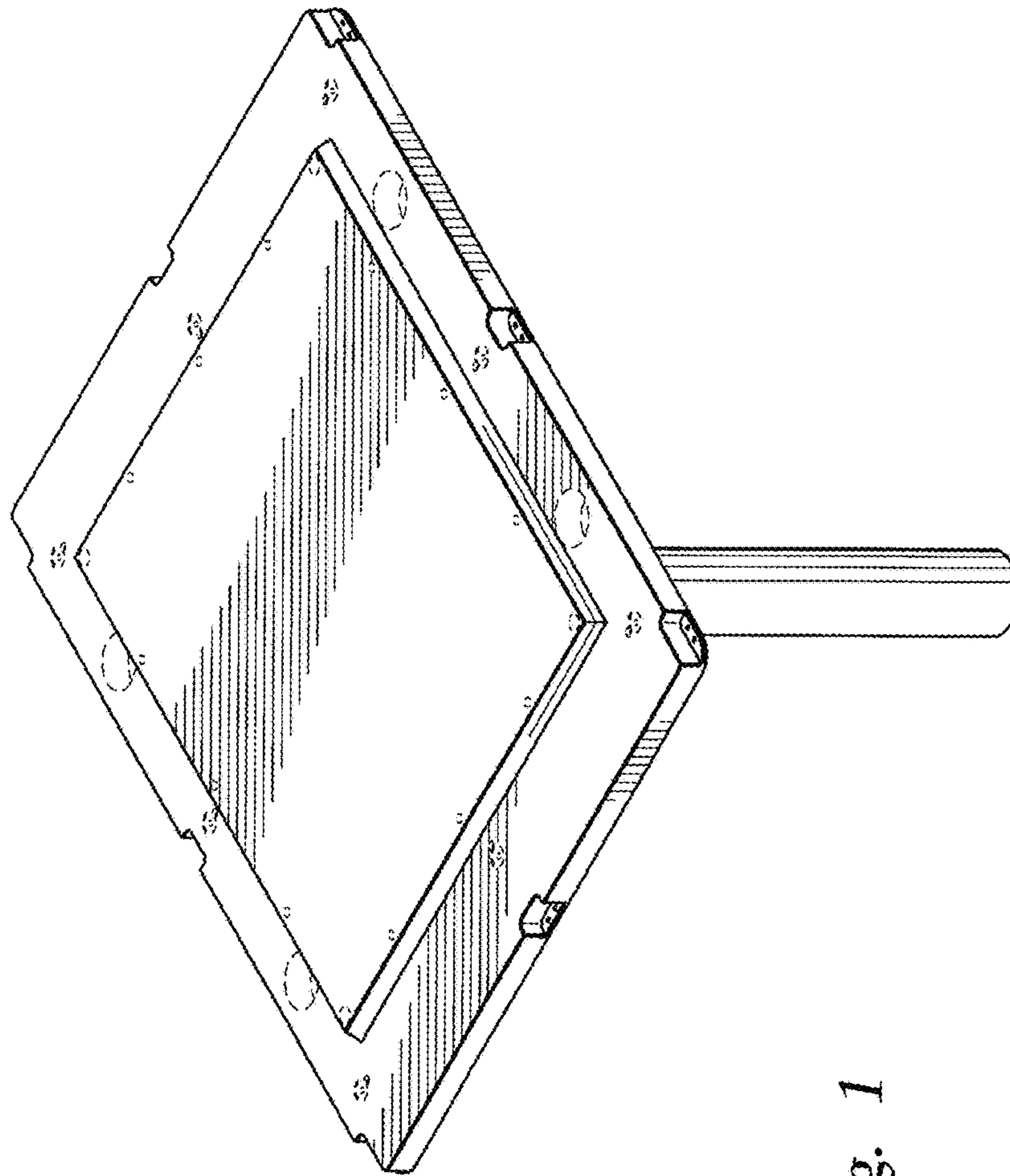


Fig. 1

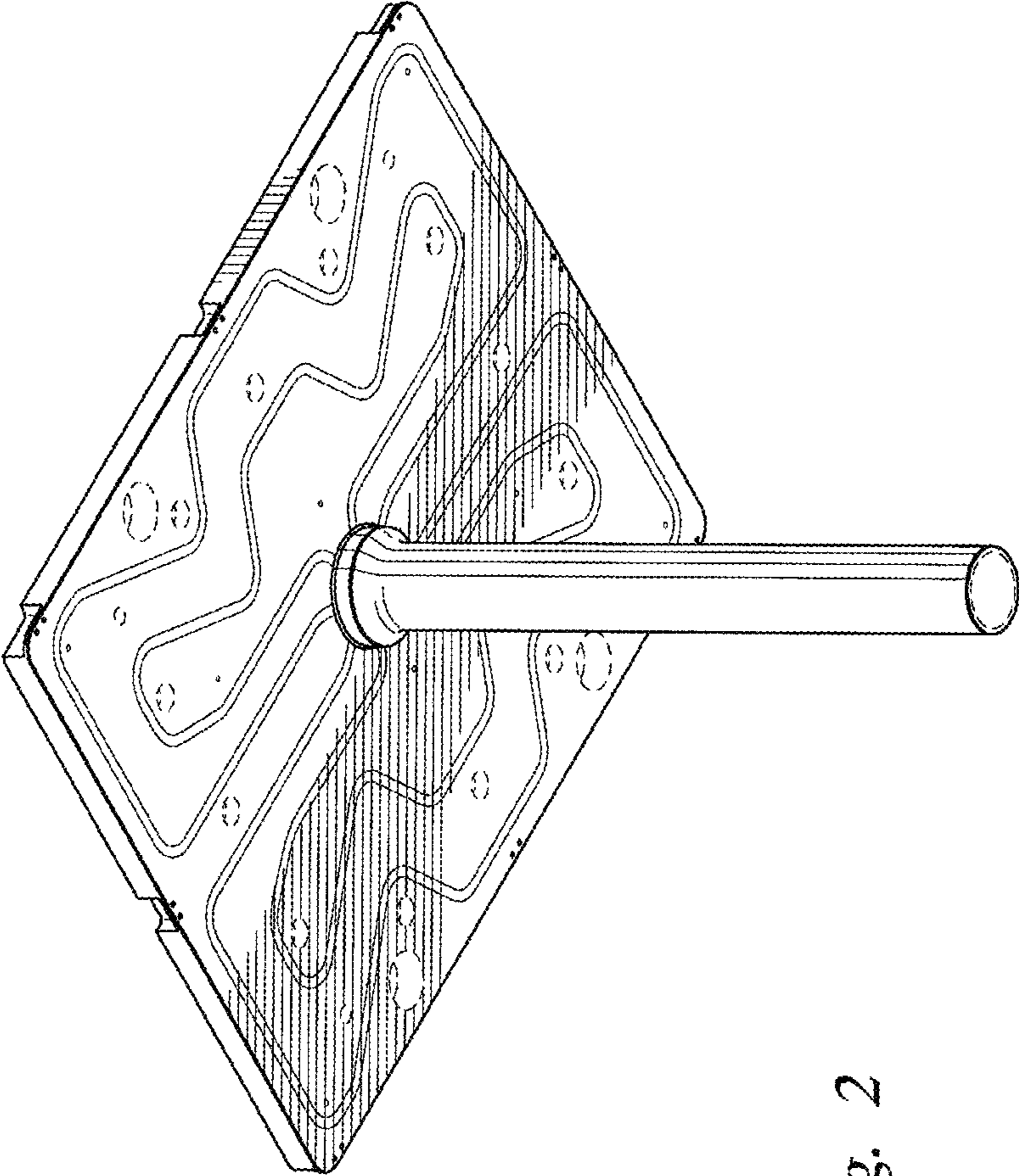


Fig. 2

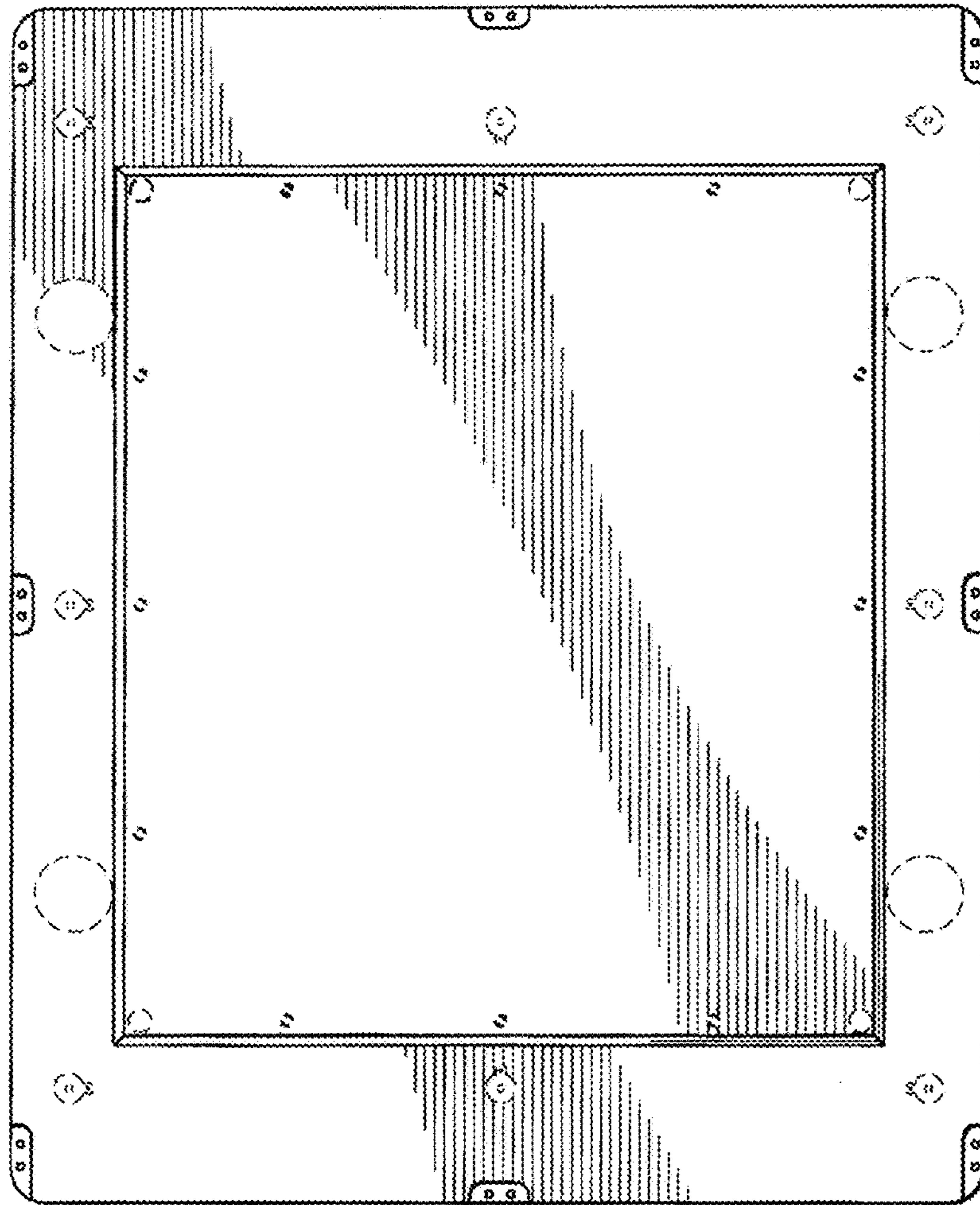


Fig. 3

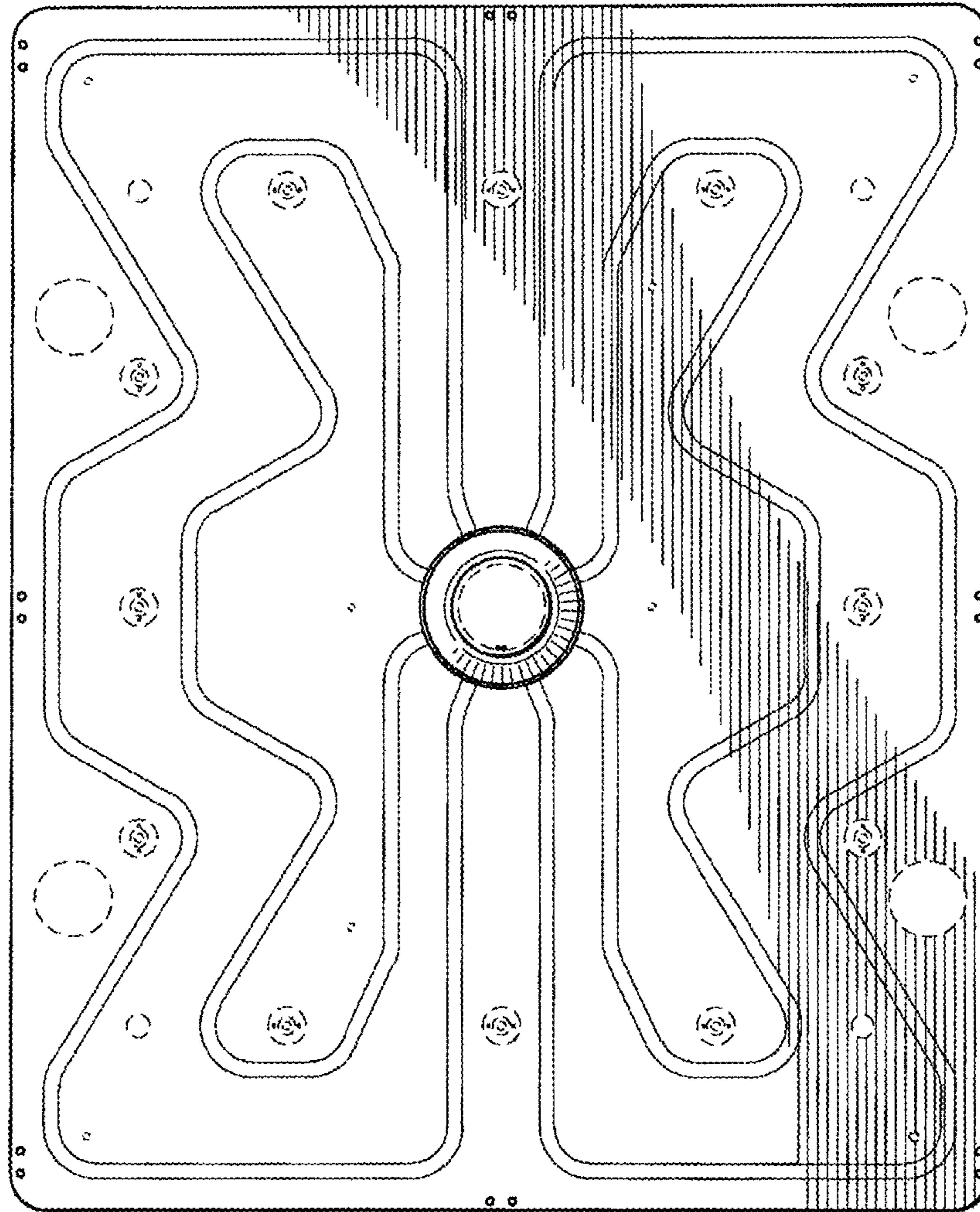


Fig. 4

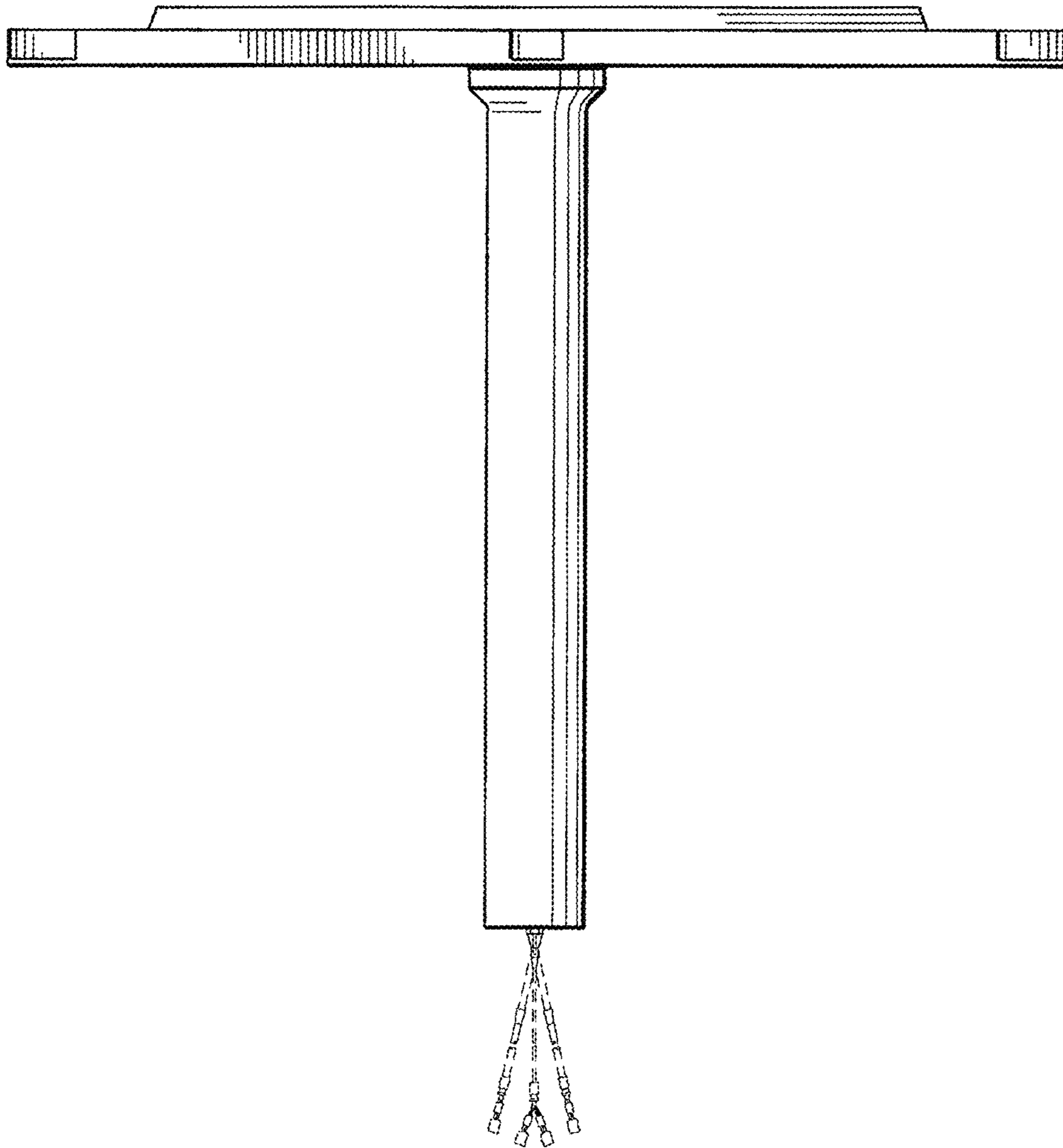


Fig. 5

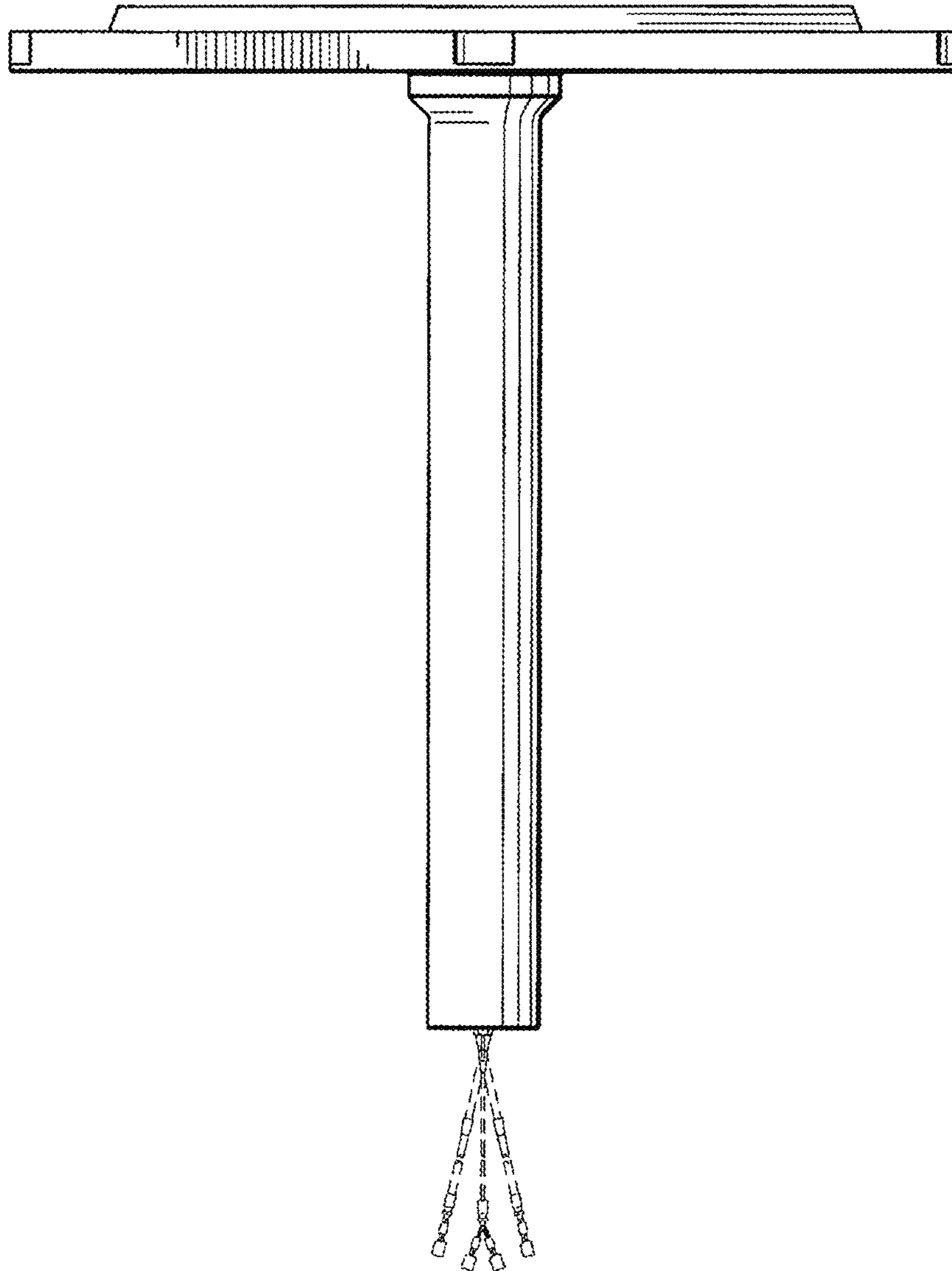


Fig. 6