



US00D784273S

(12) **United States Design Patent**  
**Gage et al.**

(10) **Patent No.: US D784,273 S**  
(45) **Date of Patent: \*\* \*Apr. 18, 2017**

(54) **KEYPAD**  
(71) Applicant: **Lutron Electronics Co., Inc.**,  
Coopersburg, PA (US)  
(72) Inventors: **Alexander Wade Gage**, Havertown, PA  
(US); **Elliot G. Jacoby**, Glenside, PA  
(US); **Jason C. Killo**, Emmaus, PA  
(US); **Brad Michael Kreschollek**,  
Bethlehem, PA (US); **Noel Mayo**,  
Philadelphia, PA (US); **Daniel Curtis**  
**Raneri**, Bethlehem, PA (US)

D563,901 S 3/2008 Mayo et al.  
D566,048 S 4/2008 Mace et al.  
D566,658 S 4/2008 Mayo et al.  
D568,828 S 5/2008 Mayo et al.  
D570,299 S 6/2008 Jacoby et al.  
D572,202 S 7/2008 Jacoby et al.  
D572,208 S 7/2008 Mayo et al.  
D572,667 S 7/2008 Mayo et al.  
D573,956 S 7/2008 Hollner et al.  
7,641,491 B2 1/2010 Altonen et al.  
D624,881 S 10/2010 Altonen et al.

(Continued)

(73) Assignee: **Lutron Electronics Co., Inc.**,  
Coopersburg, PA (US)  
(\* ) Notice: This patent is subject to a terminal dis-  
claimer.  
(\*\*) Term: **15 Years**

**OTHER PUBLICATIONS**  
Lightolier, Specification Sheet for iGen DALI 4-Button Scene  
Controller Model No. DA-WS4SS-7, 2007, 2 pages.  
Inncom, GS-700 Family Glass Series Switches Sell Sheet, Nov.  
2008, 2 pages.  
U.S. Appl. No. 29/502,399, filed Sep. 16, 2014. (Unpublished).  
U.S. Appl. No. 29/515,919, filed Jan. 28, 2015. (Unpublished).  
U.S. Appl. No. 29/515,921, filed Jan. 28, 2015. (Unpublished).  
(Continued)

(21) Appl. No.: **29/536,767**  
(22) Filed: **Aug. 19, 2015**  
(51) **LOC (10) Cl.** ..... **13-03**  
(52) **U.S. Cl.**  
USPC ..... **D13/171**  
(58) **Field of Classification Search**  
USPC ..... D13/162, 164, 171, 174  
CPC .... G08C 17/02; H05B 33/0845; H05B 37/02;  
H05B 37/0272; H05B 39/02; H05B  
39/04; H05B 39/041; H05B 39/08; H05B  
39/085  
See application file for complete search history.

*Primary Examiner* — Selina Sikder  
(74) *Attorney, Agent, or Firm* — Saidman DesignLaw  
Group, LLC

(56) **References Cited**  
U.S. PATENT DOCUMENTS

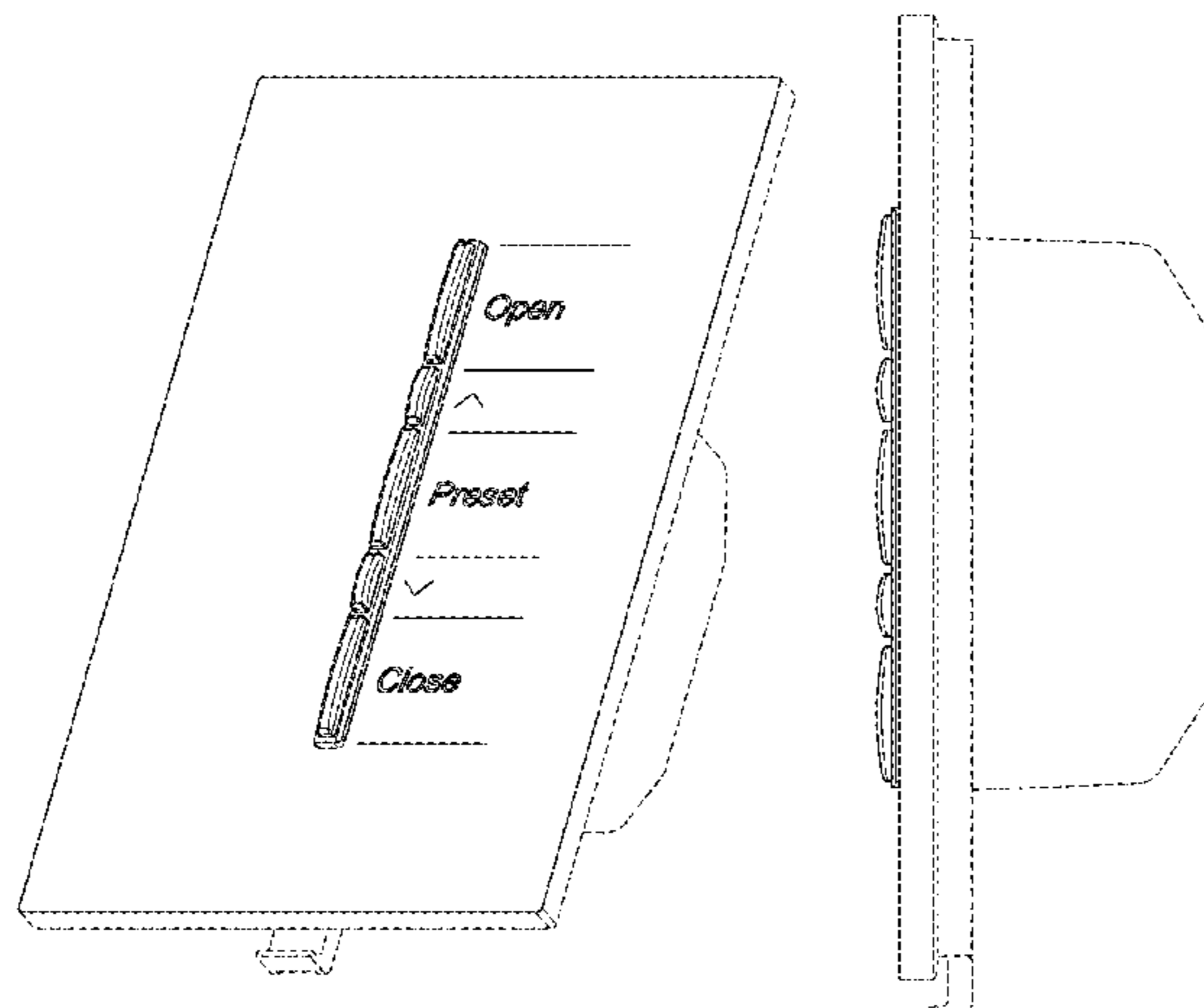
D309,268 S 7/1990 Wada et al.  
D310,340 S 9/1990 Wada et al.  
D364,573 S 11/1995 Pearsall  
D436,930 S 1/2001 Butler et al.  
D453,742 S 2/2002 Butler et al.  
D465,460 S 11/2002 Mayo et al.

(57) **CLAIM**  
The ornamental design for a keypad, as shown and  
described.

**DESCRIPTION**

FIG. 1 is a front perspective view of a keypad showing our  
new design;  
FIG. 2 is a front view thereof;  
FIG. 3 is a left side view thereof;  
FIG. 4 is a right side view thereof;  
FIG. 5 is a top view thereof; and,  
FIG. 6 is a bottom view thereof.  
The dashed broken lines represent structure or features  
which form no part of the claimed design; the broken lines  
themselves form no part of the claimed design.

**1 Claim, 4 Drawing Sheets**



(56)

References Cited

U.S. PATENT DOCUMENTS

D624,882	S	10/2010	Altonen et al.	
7,872,429	B2	1/2011	Steiner et al.	
D678,850	S *	3/2013	Wisniewski .....	D13/174
D705,179	S *	5/2014	Wisniewski .....	D13/174
9,167,666	B1 *	10/2015	Billheimer .....	H05B 37/02
9,389,769	B1 *	7/2016	O’Keeffe .....	G06F 1/3262
2007/0216318	A1 *	9/2007	Altonen .....	G02B 6/0001 315/209 R
2007/0272532	A1 *	11/2007	Pessina .....	H02G 3/14 200/333
2007/0291010	A1 *	12/2007	Altonen .....	H05B 39/085 345/173
2008/0258644	A1	10/2008	Altonen et al.	
2009/0184652	A1	7/2009	Bollinger, Jr. et al.	
2016/0035217	A1 *	2/2016	Camden .....	G08C 17/02 340/12.5

OTHER PUBLICATIONS

U.S. Appl. No. 29/447,481, filed Mar. 4, 2013. (Unpublished).  
 U.S. Appl. No. 29/447,485, filed Mar. 4, 2013. (Unpublished).  
 U.S. Appl. No. 29/536,775, filed Aug. 19, 2015. (Unpublished).  
 U.S. Appl. No. 29/536,770, filed Aug. 19, 2015. (Unpublished).  
 U.S. Appl. No. 29/536,772, filed Aug. 19, 2015. (Unpublished).  
 U.S. Appl. No. 29/536,771, filed Aug. 19, 2015. (Unpublished).  
 U.S. Appl. No. 29/536,765, filed Aug. 19, 2015. (Unpublished).  
 U.S. Appl. No. 29/536,768, filed Aug. 19, 2015. (Unpublished).  
 U.S. Appl. No. 29/536,792, filed Aug. 19, 2015. (Unpublished).  
 U.S. Appl. No. 29/536,805, filed Aug. 19, 2015. (Unpublished).  
 U.S. Appl. No. 29/536,796, filed Aug. 19, 2015. (Unpublished).  
 U.S. Appl. No. 29/536,802, filed Aug. 19, 2015. (Unpublished).  
 U.S. Appl. No. 29/536,810, filed Aug. 19, 2015. (Unpublished).  
 U.S. Appl. No. 29/536,808, filed Aug. 19, 2015. (Unpublished).  
 U.S. Appl. No. 29/536,807, filed Aug. 19, 2015. (Unpublished).

\* cited by examiner

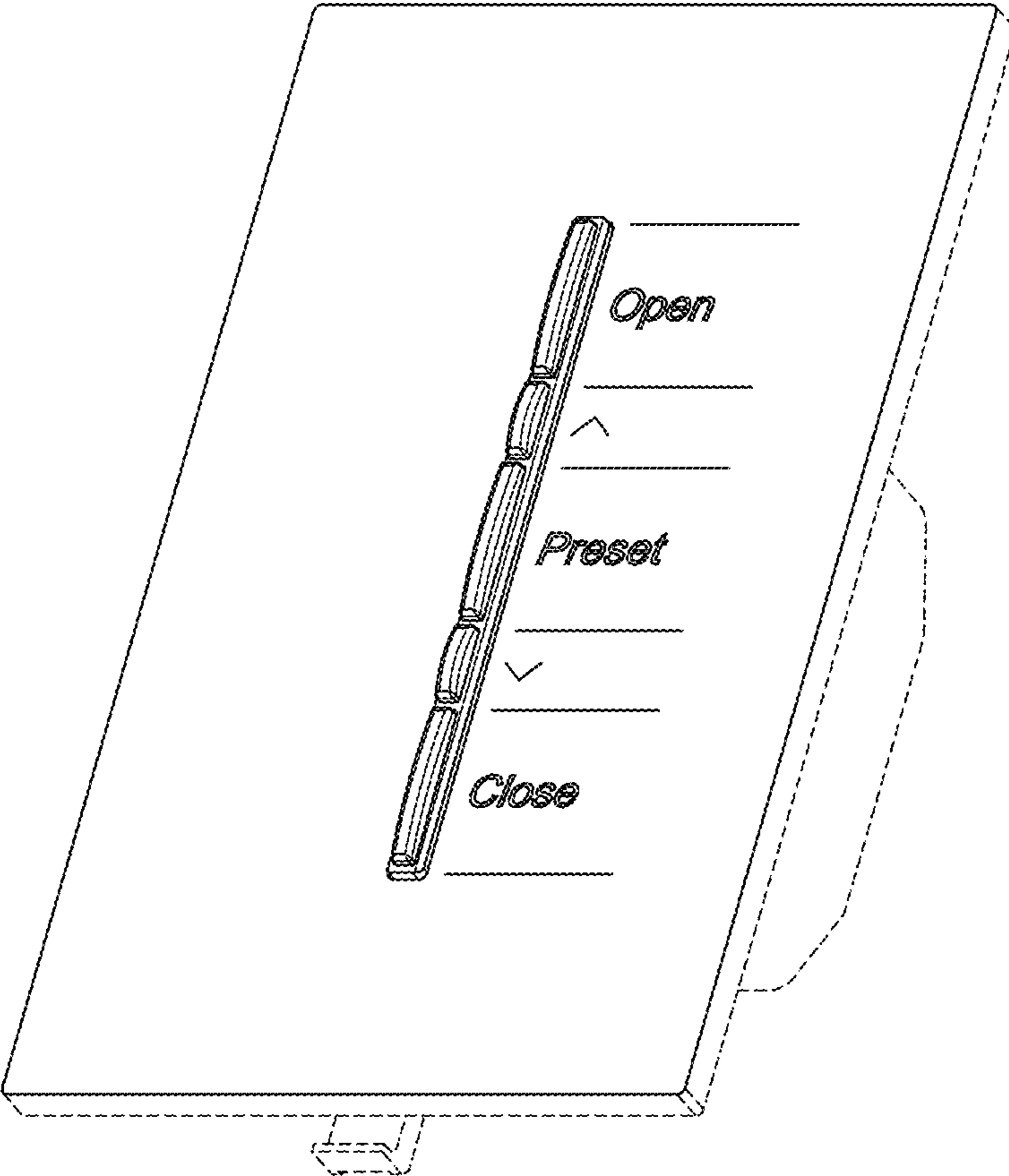


FIG. 1

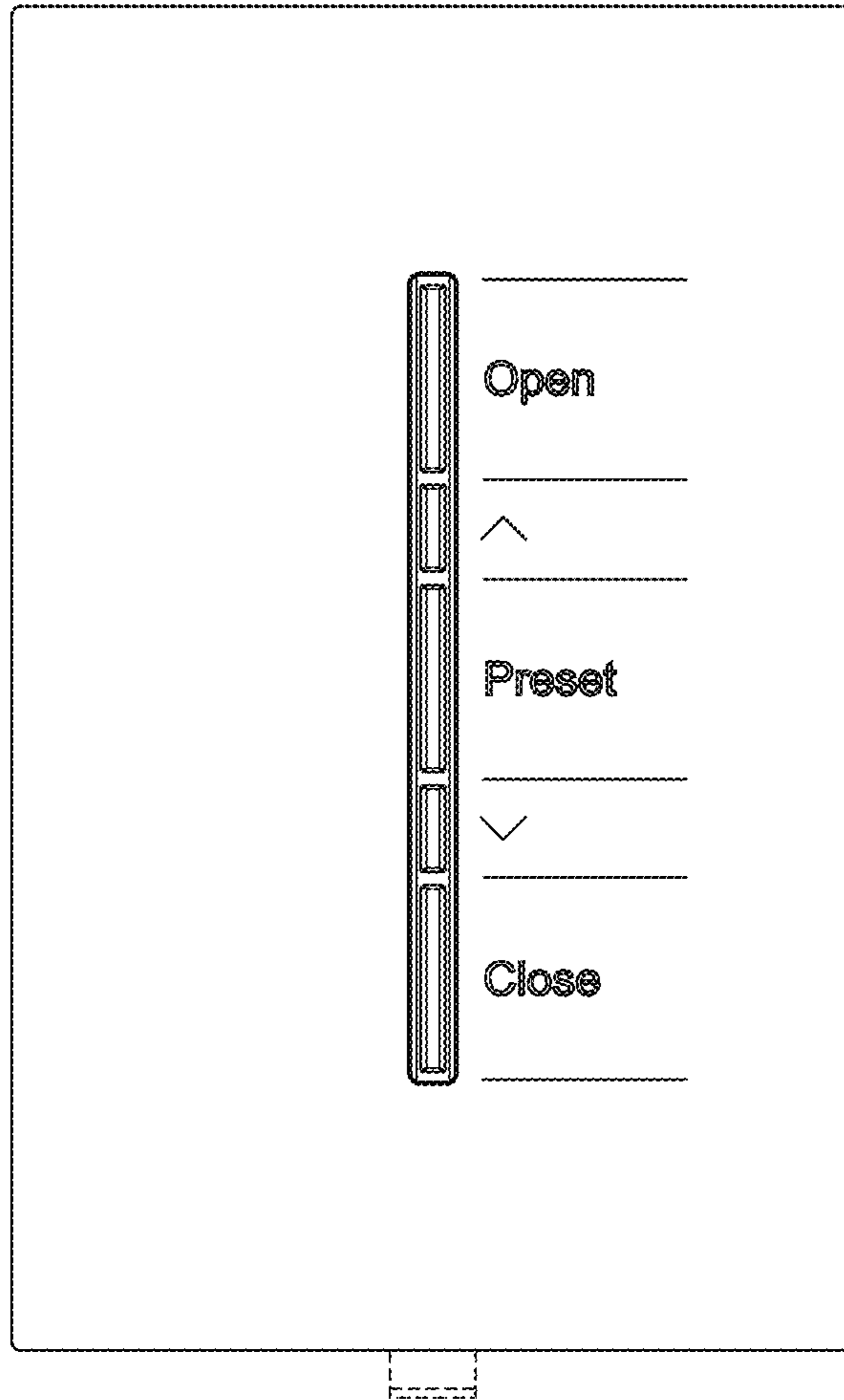


FIG. 2

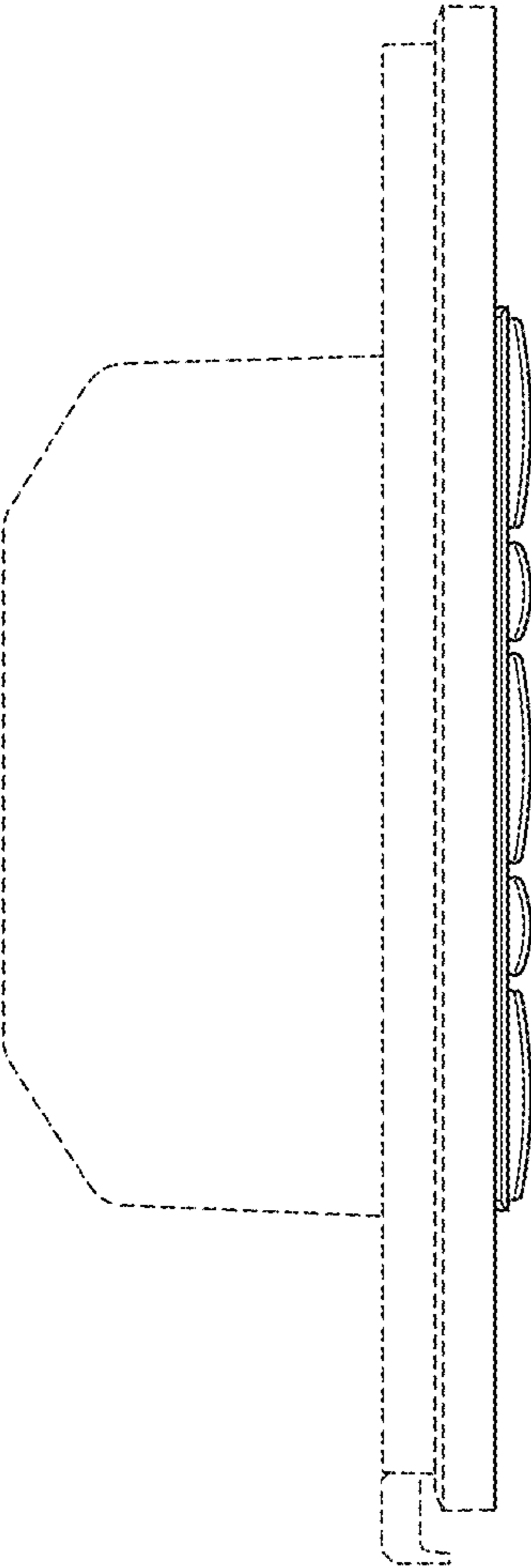


FIG. 3

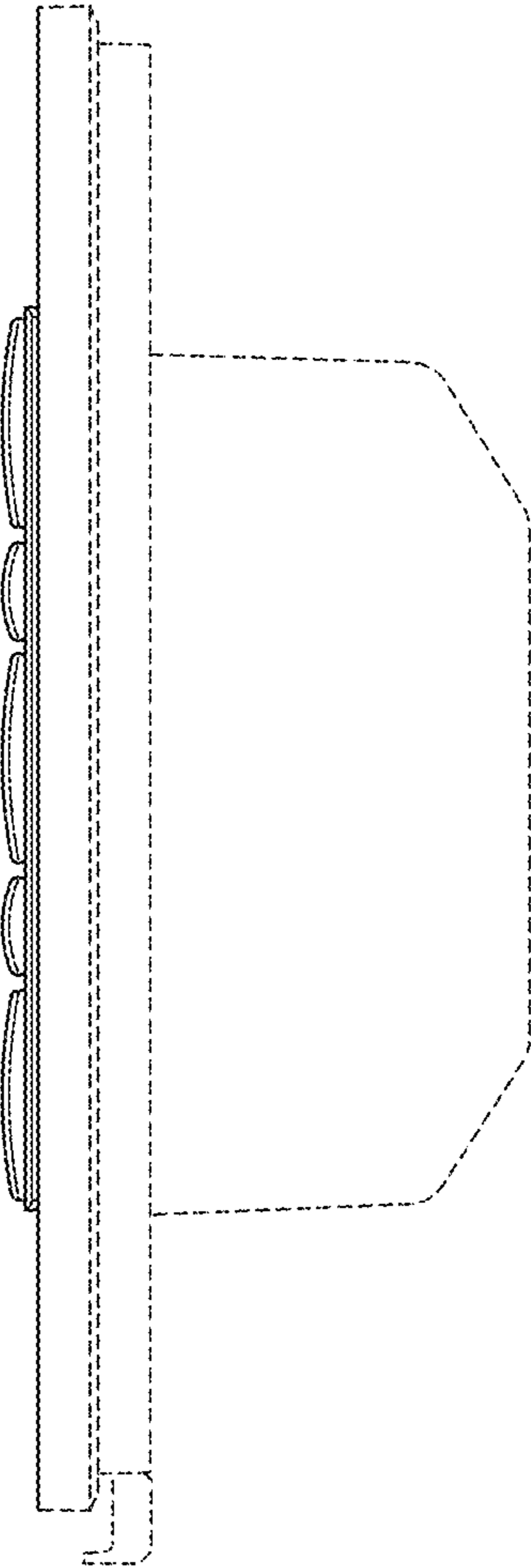


FIG. 4

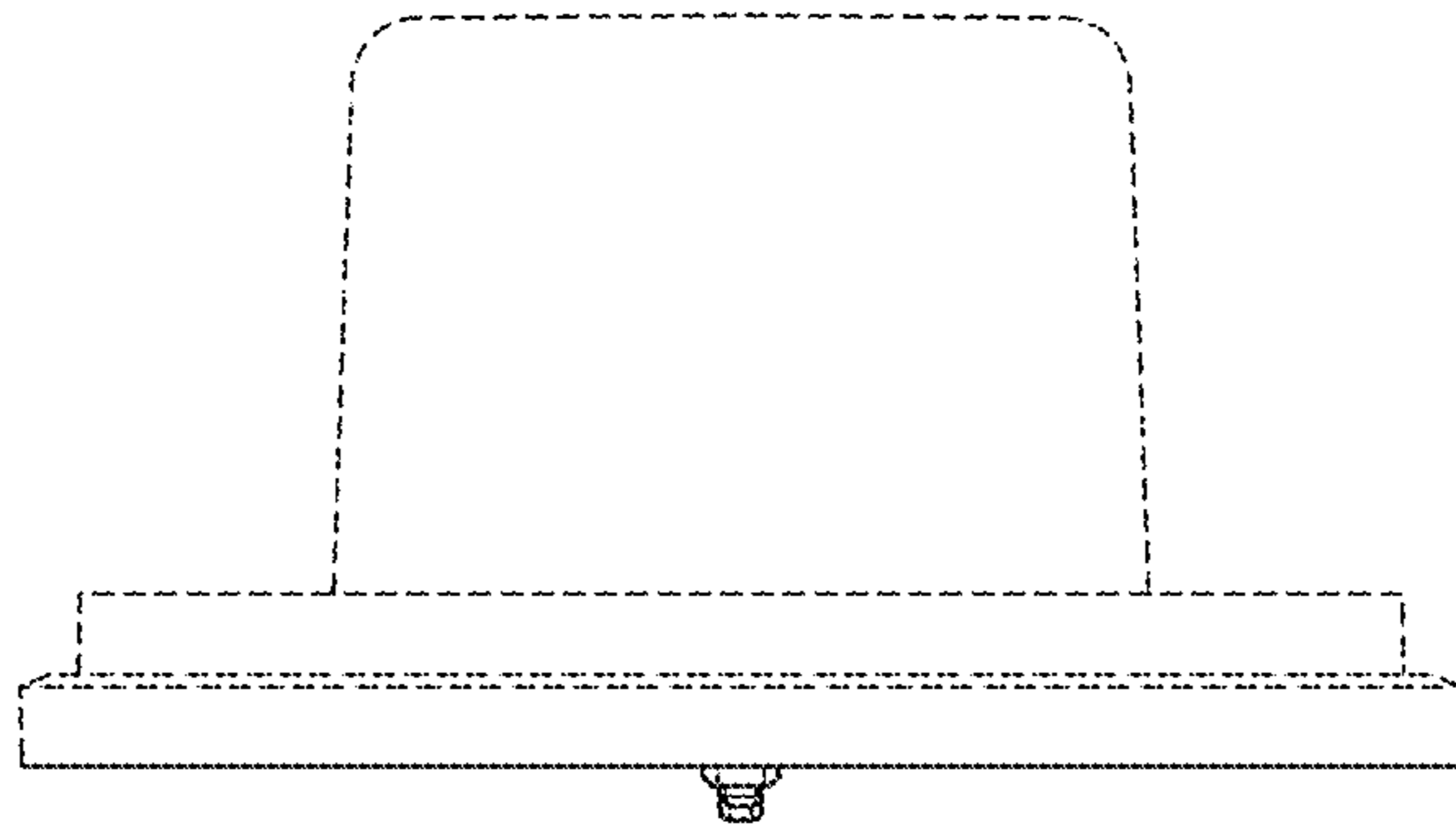


FIG. 5

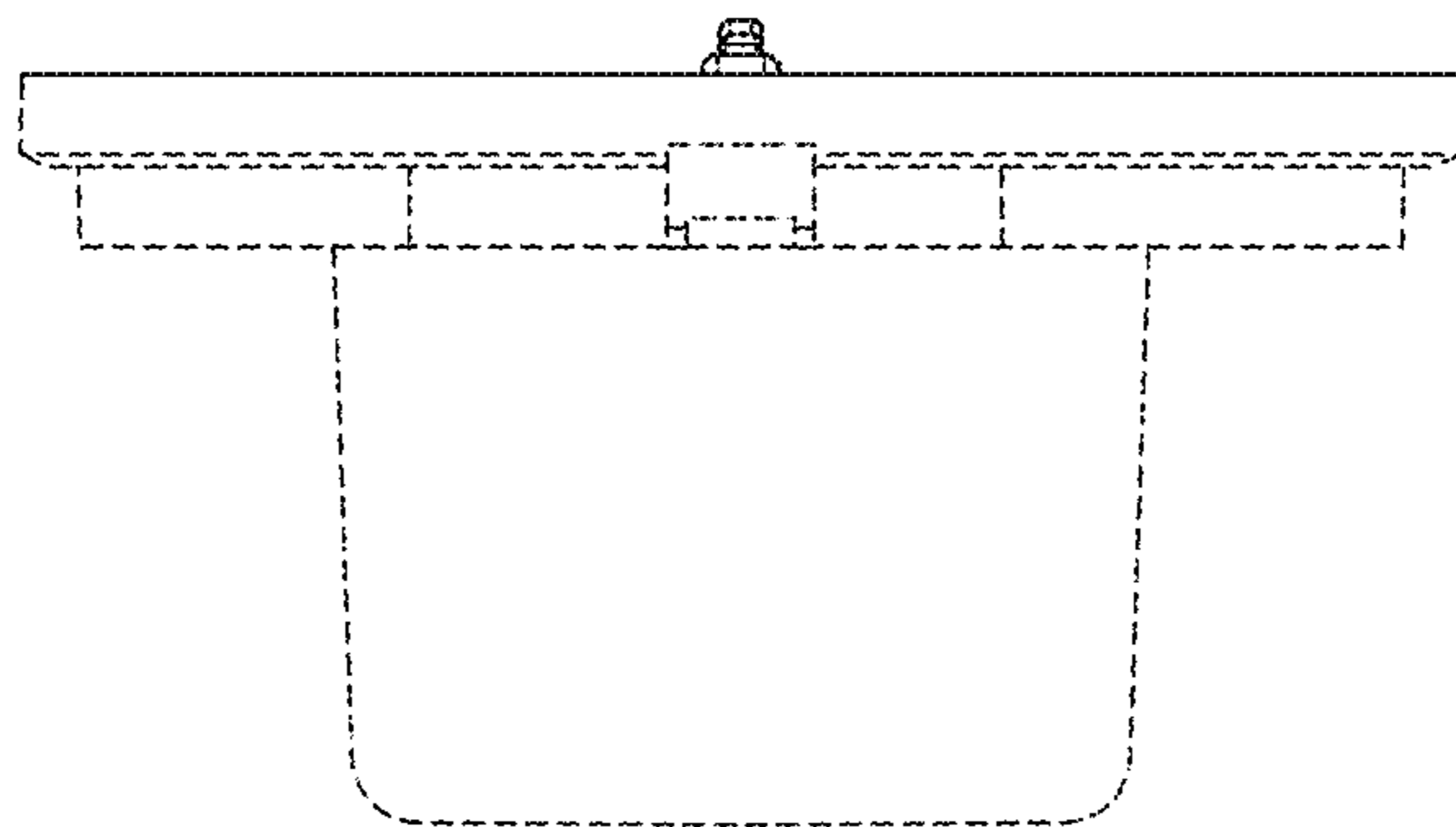


FIG. 6