



US00D784272S

(12) **United States Design Patent**  
**Gage et al.**

(10) **Patent No.:** **US D784,272 S**

(45) **Date of Patent:** **\*\* Apr. 18, 2017**

(54) **KEYPAD**

(71) Applicant: **Lutron Electronics Co., Inc.**,  
Coopersburg, PA (US)

(72) Inventors: **Alexander Wade Gage**, Havertown, PA  
(US); **Elliot G. Jacoby**, Glenside, PA  
(US); **Jason C. Killo**, Emmaus, PA  
(US); **Brad Michael Kreschollek**,  
Bethlehem, PA (US); **Noel Mayo**,  
Philadelphia, PA (US); **Daniel Curtis**  
**Raneri**, Bethlehem, PA (US)

(73) Assignee: **Lutron Electronics Co., Inc.**,  
Coopersburg, PA (US)

(\*\*) Term: **15 Years**

(21) Appl. No.: **29/536,765**

(22) Filed: **Aug. 19, 2015**

(51) **LOC (10) Cl.** ..... **13-03**

(52) **U.S. Cl.**  
USPC ..... **D13/171**

(58) **Field of Classification Search**  
USPC ..... D13/162, 164, 171, 174  
CPC .... G08C 17/02; H05B 33/0845; H05B 37/02;  
H05B 37/0272; H05B 39/02; H05B  
39/04; H05B 39/041; H05B 39/08; H05B  
39/085

See application file for complete search history.

(56) **References Cited**

**U.S. PATENT DOCUMENTS**

D309,268 S	7/1990	Wada et al.
D310,340 S	9/1990	Wada et al.
D364,573 S	11/1995	Pearsall
D436,930 S	1/2001	Butler et al.
D453,742 S	2/2002	Butler et al.
D465,460 S	11/2002	Mayo et al.
D563,901 S	3/2008	Mayo et al.

D566,048 S	4/2008	Mace et al.
D566,658 S	4/2008	Mayo et al.
D568,828 S	5/2008	Mayo et al.
D570,299 S	6/2008	Jacoby et al.
D572,202 S	7/2008	Jacoby et al.

(Continued)

**OTHER PUBLICATIONS**

Lightolier, Specification Sheet for iGen Dali 4-Button Scene Controller Model No. DA-WS4SS-7, 2007, 2 pages.

(Continued)

*Primary Examiner* — Selina Sikder

(74) *Attorney, Agent, or Firm* — Saidman DesignLaw Group, LLC

(57) **CLAIM**

The ornamental design for a keypad, as shown and described.

**DESCRIPTION**

FIG. 1 is a front perspective view of a keypad showing our new design;

FIG. 2 is a front view thereof;

FIG. 3 is a left side view thereof;

FIG. 4 is a right side view thereof;

FIG. 5 is a top view thereof;

FIG. 6 is a bottom view thereof;

FIG. 7 is a front perspective view of a second embodiment thereof;

FIG. 8 is a front view thereof;

FIG. 9 is a left side view thereof;

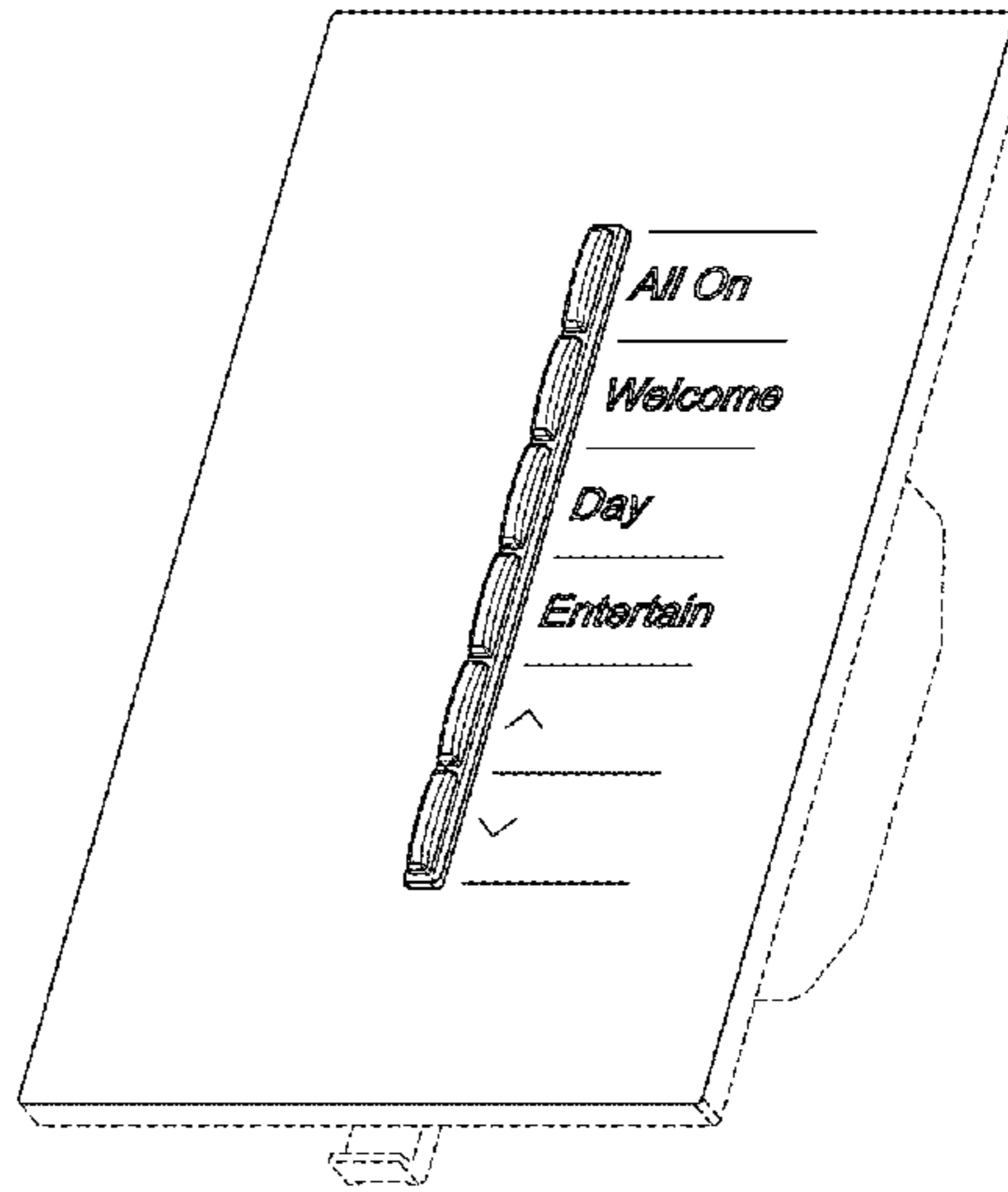
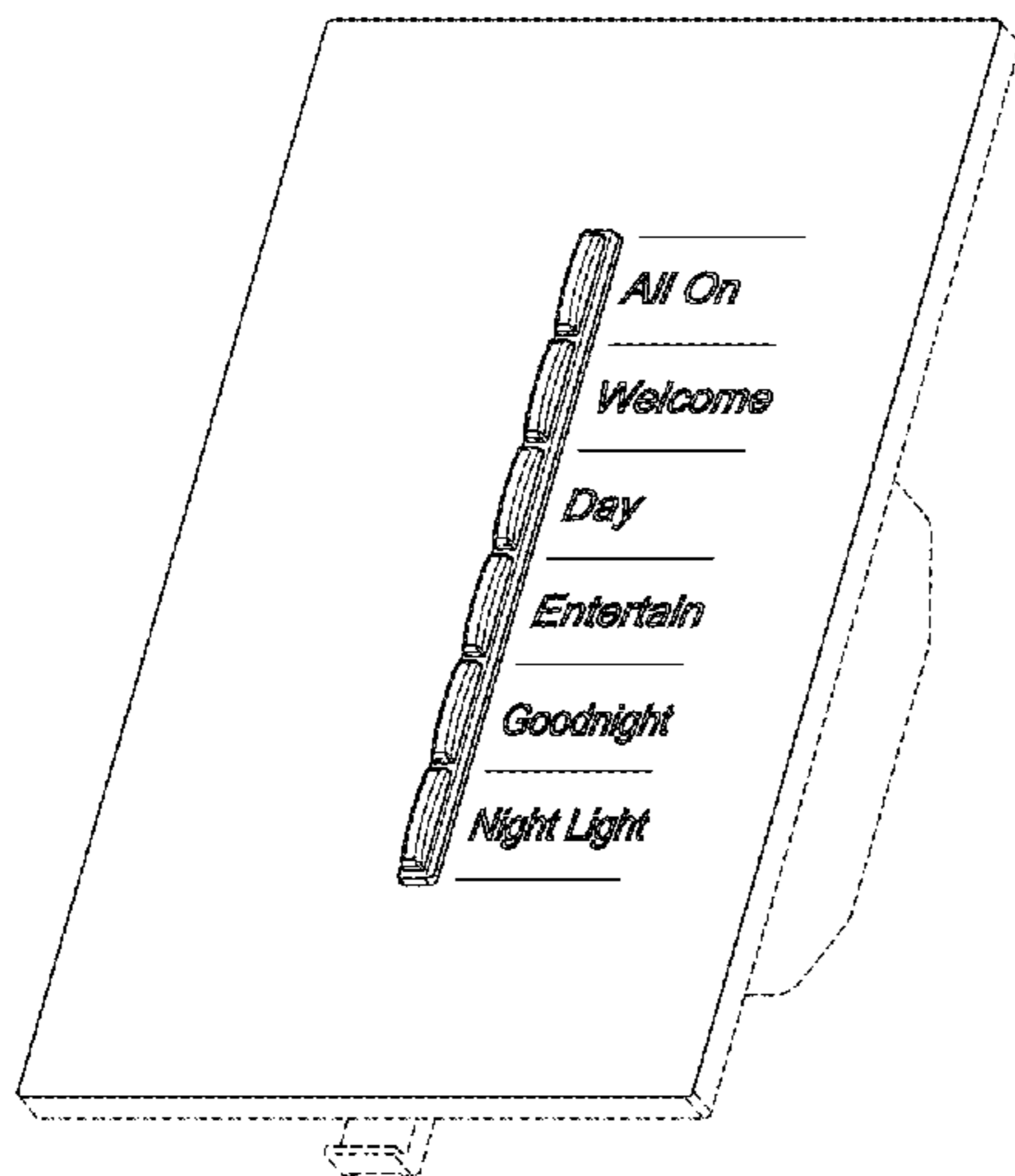
FIG. 10 is a right side view thereof;

FIG. 11 is a top view thereof; and,

FIG. 12 is a bottom view thereof.

The dashed broken lines represent structure or features which form no part of the claimed design; the broken lines themselves form no part of the claimed design.

**1 Claim, 8 Drawing Sheets**



(56)

References Cited

OTHER PUBLICATIONS

U.S. PATENT DOCUMENTS

D572,208 S	7/2008	Mayo et al.	
D572,667 S	7/2008	Mayo et al.	
D573,956 S	7/2008	Hollner et al.	
7,641,491 B2	1/2010	Altonen et al.	
D624,881 S	10/2010	Altonen et al.	
D624,882 S	10/2010	Altonen et al.	
7,872,429 B2	1/2011	Steiner et al.	
D678,850 S *	3/2013	Wisniewski	..... D13/174
D705,179 S *	5/2014	Wisniewski	..... D13/174
9,167,666 B1 *	10/2015	Billheimer	..... H05B 37/02
9,389,769 B1 *	7/2016	O’Keeffe	..... G06F 1/3262
2007/0216318 A1 *	9/2007	Altonen	..... G02B 6/0001 315/209 R
2007/0272532 A1 *	11/2007	Pessina	..... H02G 3/14 200/333
2007/0291010 A1 *	12/2007	Altonen	..... H05B 39/085 345/173
2008/0258644 A1	10/2008	Altonen et al.	
2009/0184652 A1	7/2009	Bollinger, Jr. et al.	
2016/0035217 A1 *	2/2016	Camden	..... G08C 17/02 340/12.5

Inncom, GS-700 Family Glass Series Switches Sell Sheet, Nov. 2008, 2 pages.

U.S. Appl. No. 29/502,399, filed Sep. 16, 2014. (Unpublished).

U.S. Appl. No. 29/515,919, filed Jan. 28, 2015. (Unpublished).

U.S. Appl. No. 29/515,921, filed Jan. 28, 2015. (Unpublished).

U.S. Appl. No. 29/447,481, filed Mar. 4, 2013. (Unpublished).

U.S. Appl. No. 29/447,485, filed Mar. 4, 2013. (Unpublished).

U.S. Appl. No. 29/536,775, filed Aug. 19, 2015. (Unpublished).

U.S. Appl. No. 29/536,770, filed Aug. 19, 2015. (Unpublished).

U.S. Appl. No. 29/536,772, filed Aug. 19, 2015. (Unpublished).

U.S. Appl. No. 29/536,771, filed Aug. 19, 2015. (Unpublished).

U.S. Appl. No. 29/536,767, filed Aug. 19, 2015. (Unpublished).

U.S. Appl. No. 29/536,768, filed Aug. 19, 2015. (Unpublished).

U.S. Appl. No. 29/536,792, filed Aug. 19, 2015. (Unpublished).

U.S. Appl. No. 29/536,805, filed Aug. 19, 2015. (Unpublished).

U.S. Appl. No. 29/536,796, filed Aug. 19, 2015. (Unpublished).

U.S. Appl. No. 29/536,802, filed Aug. 19, 2015. (Unpublished).

U.S. Appl. No. 29/536,810, filed Aug. 19, 2015. (Unpublished).

U.S. Appl. No. 29/536,808, filed Aug. 19, 2015. (Unpublished).

U.S. Appl. No. 29/536,807, filed Aug. 19, 2015. (Unpublished).

\* cited by examiner

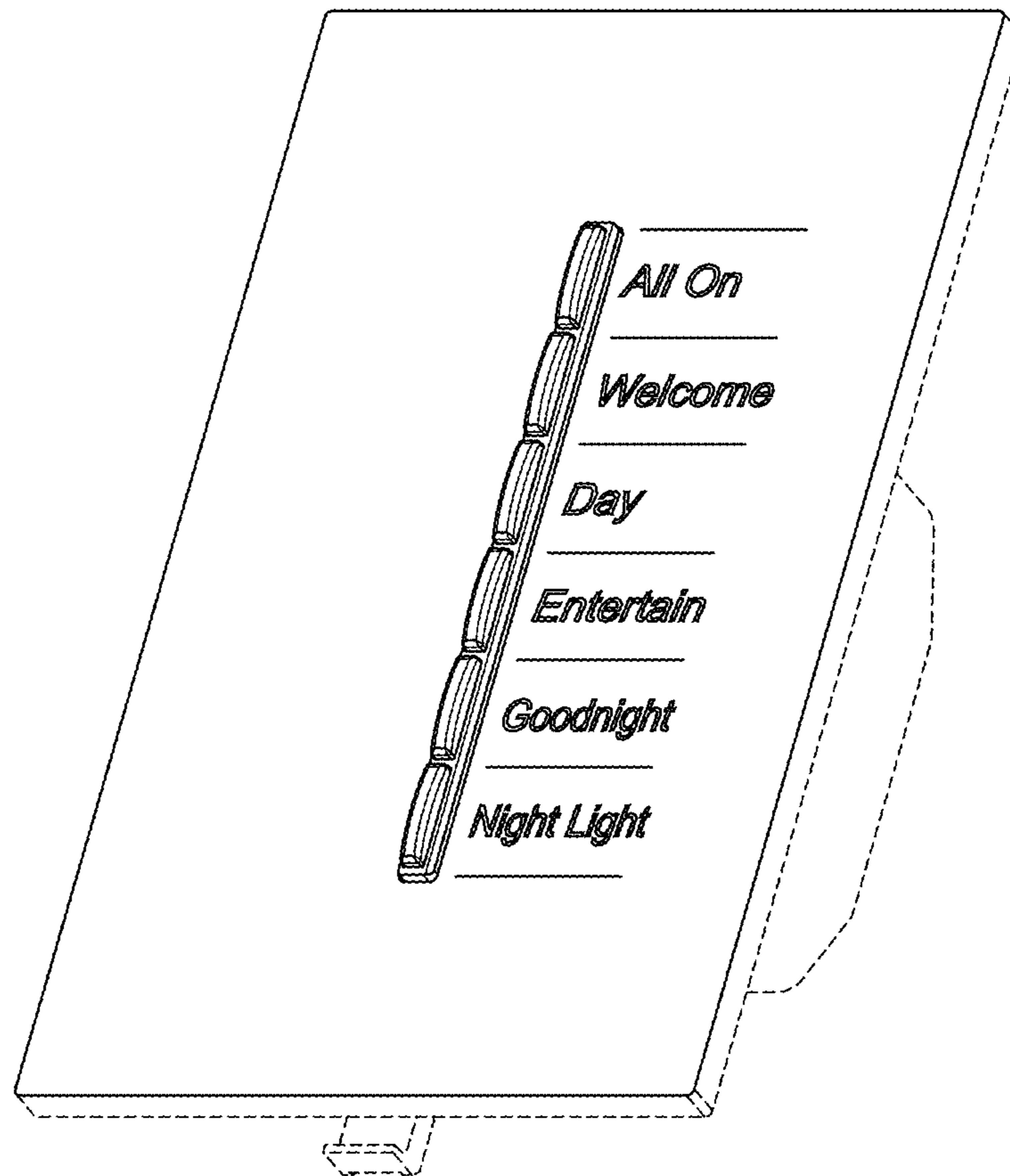
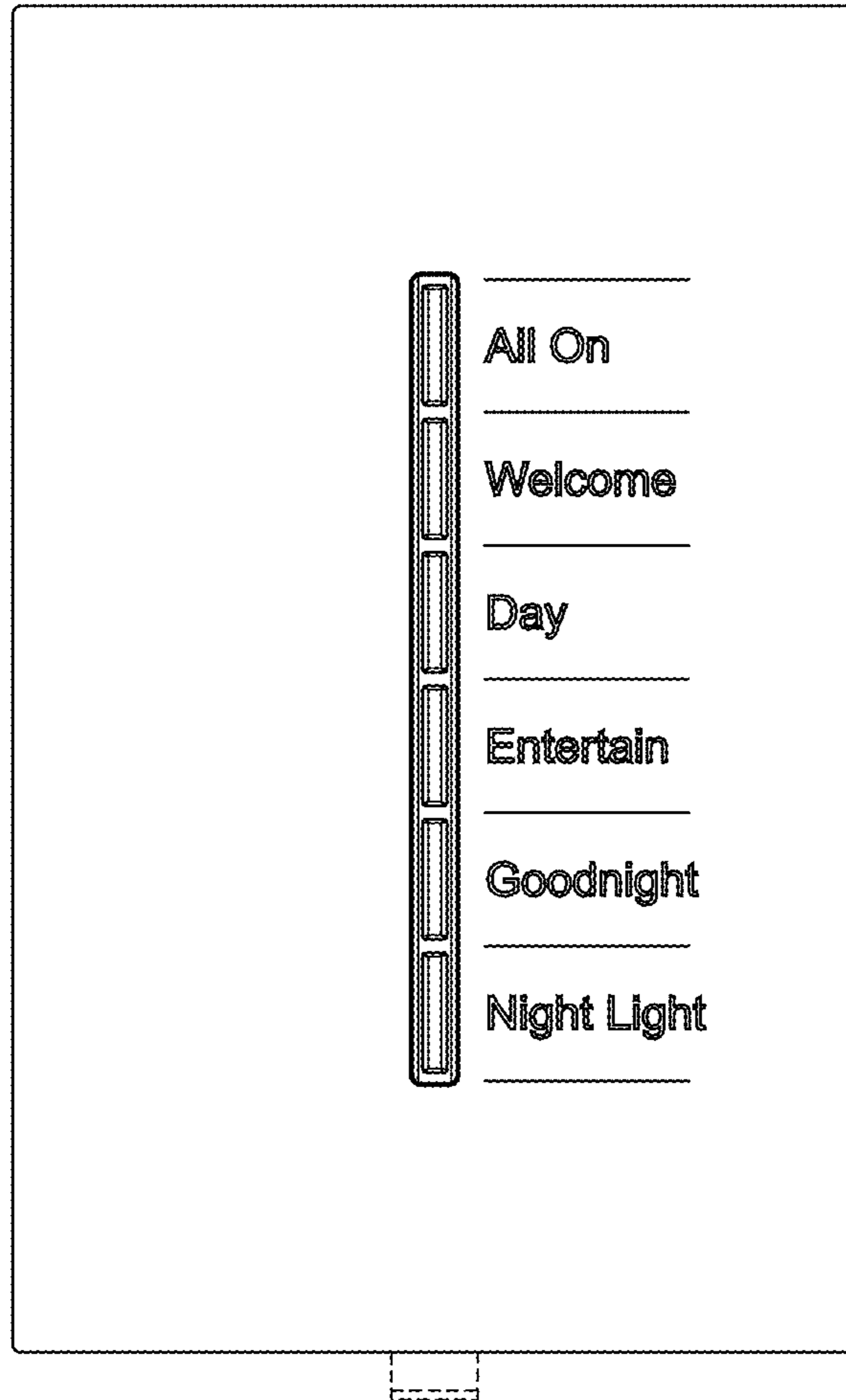
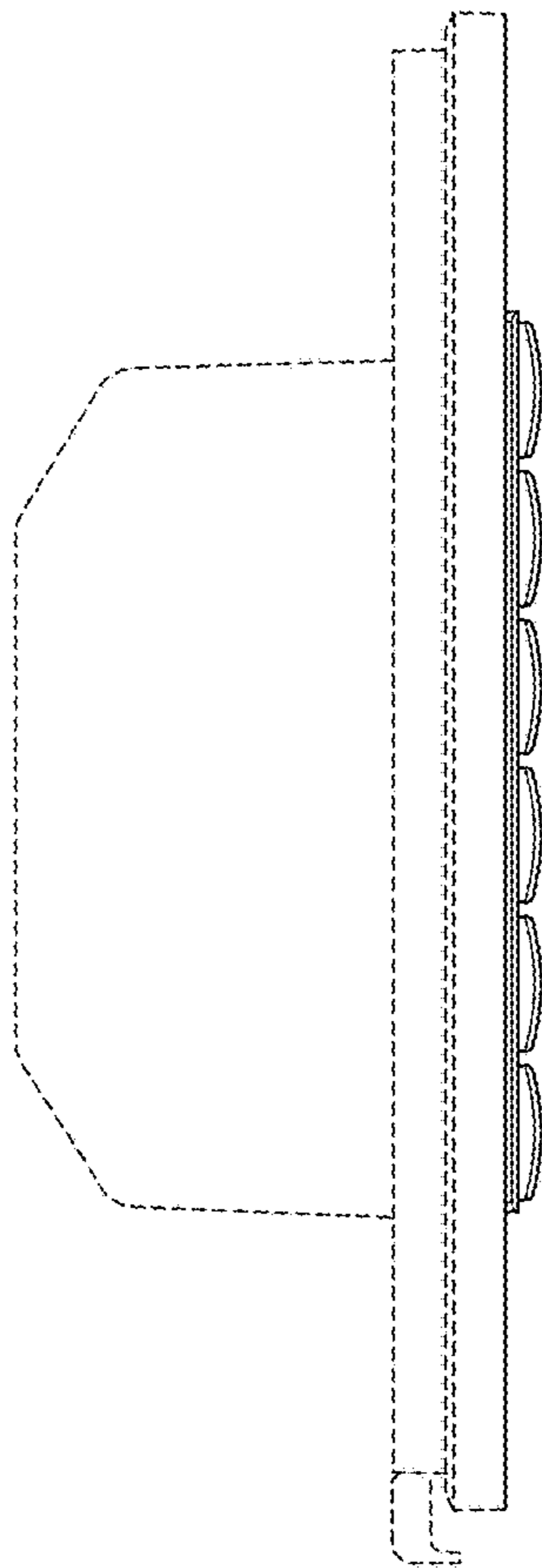


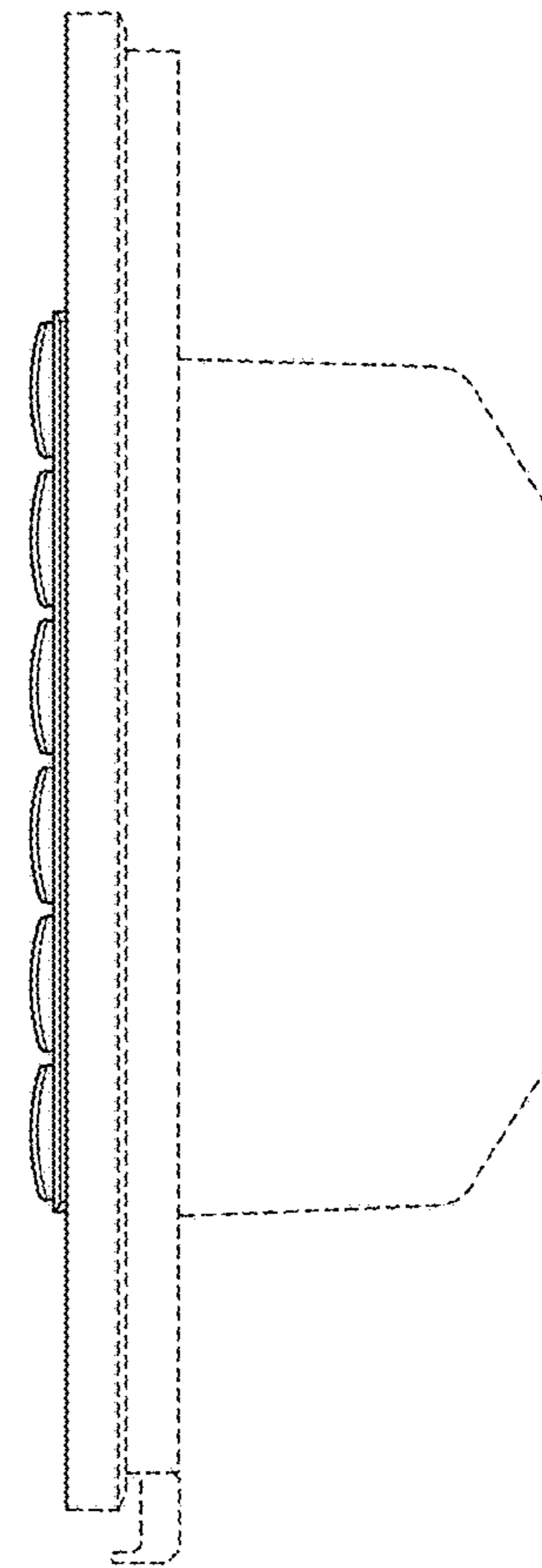
FIG. 1



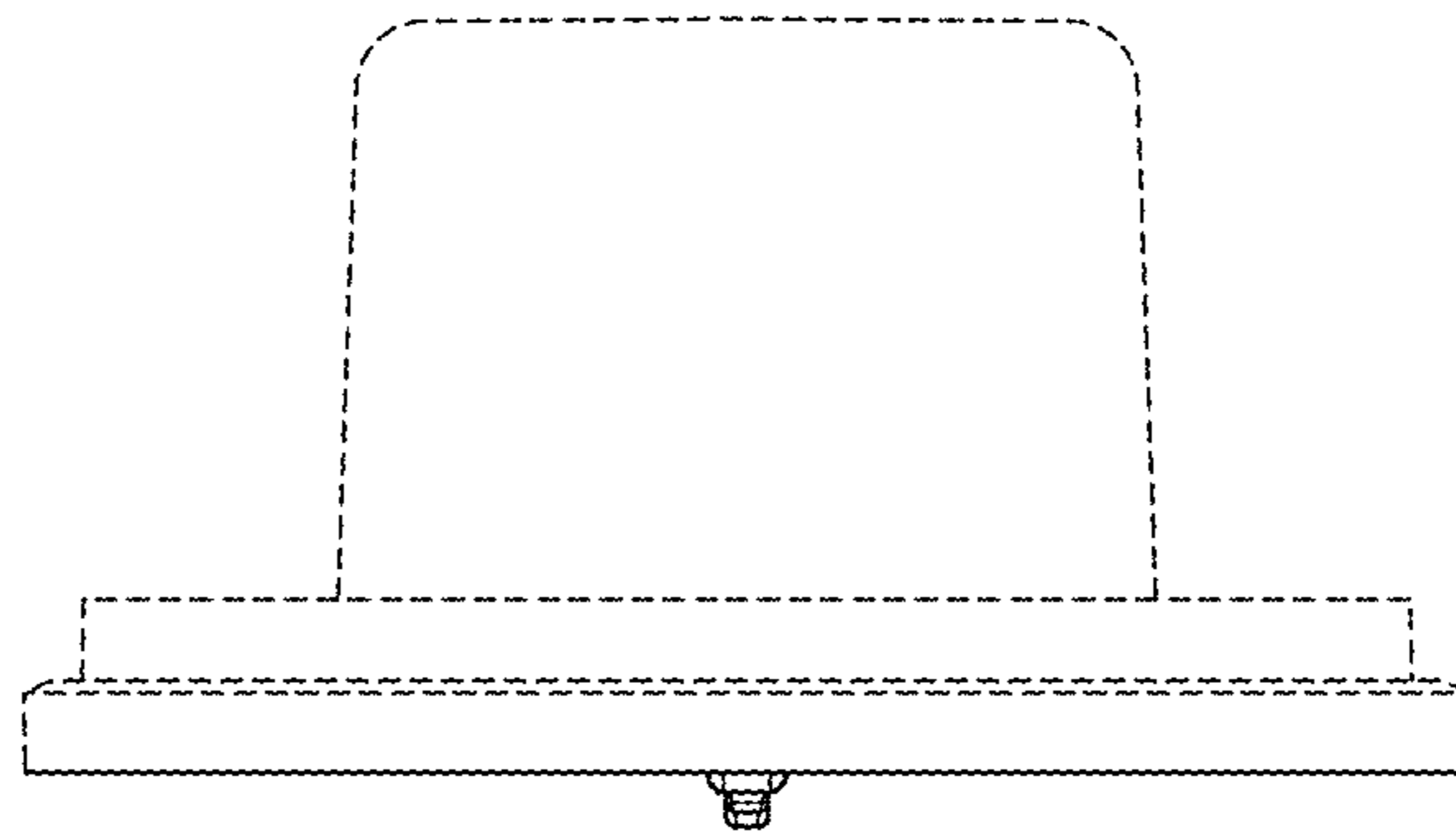
**FIG. 2**



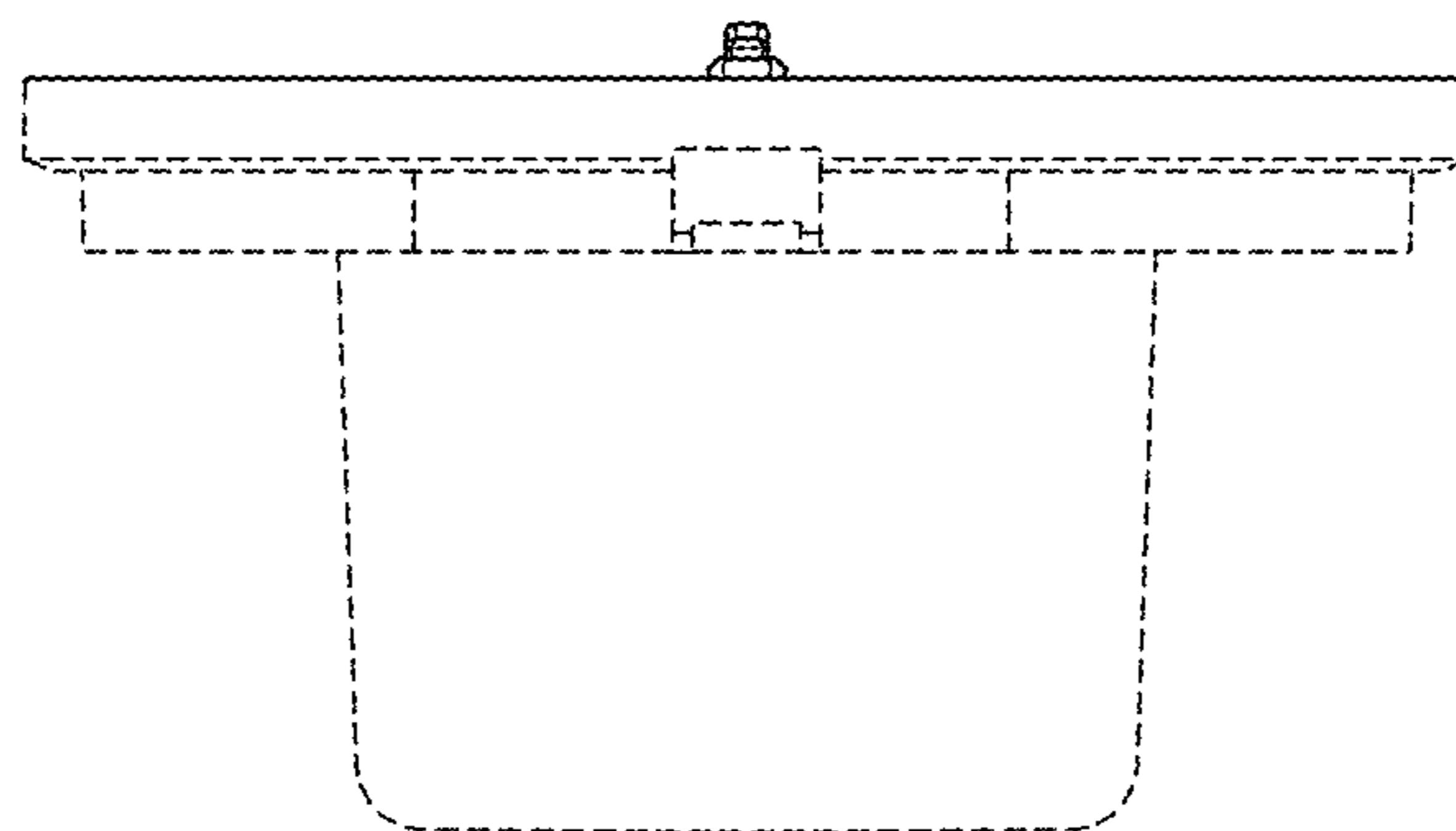
**FIG. 3**



**FIG. 4**



**FIG. 5**



**FIG. 6**

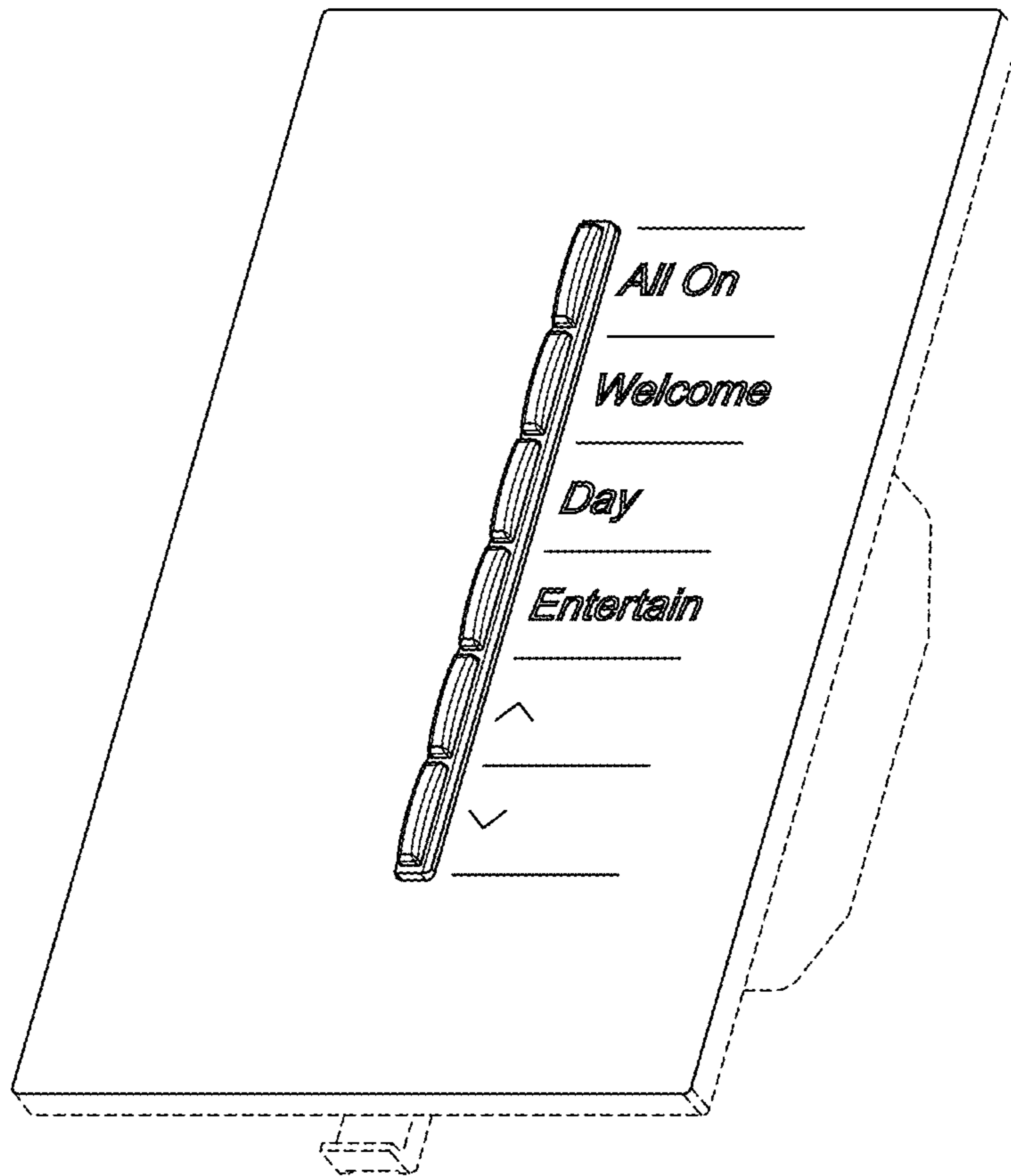
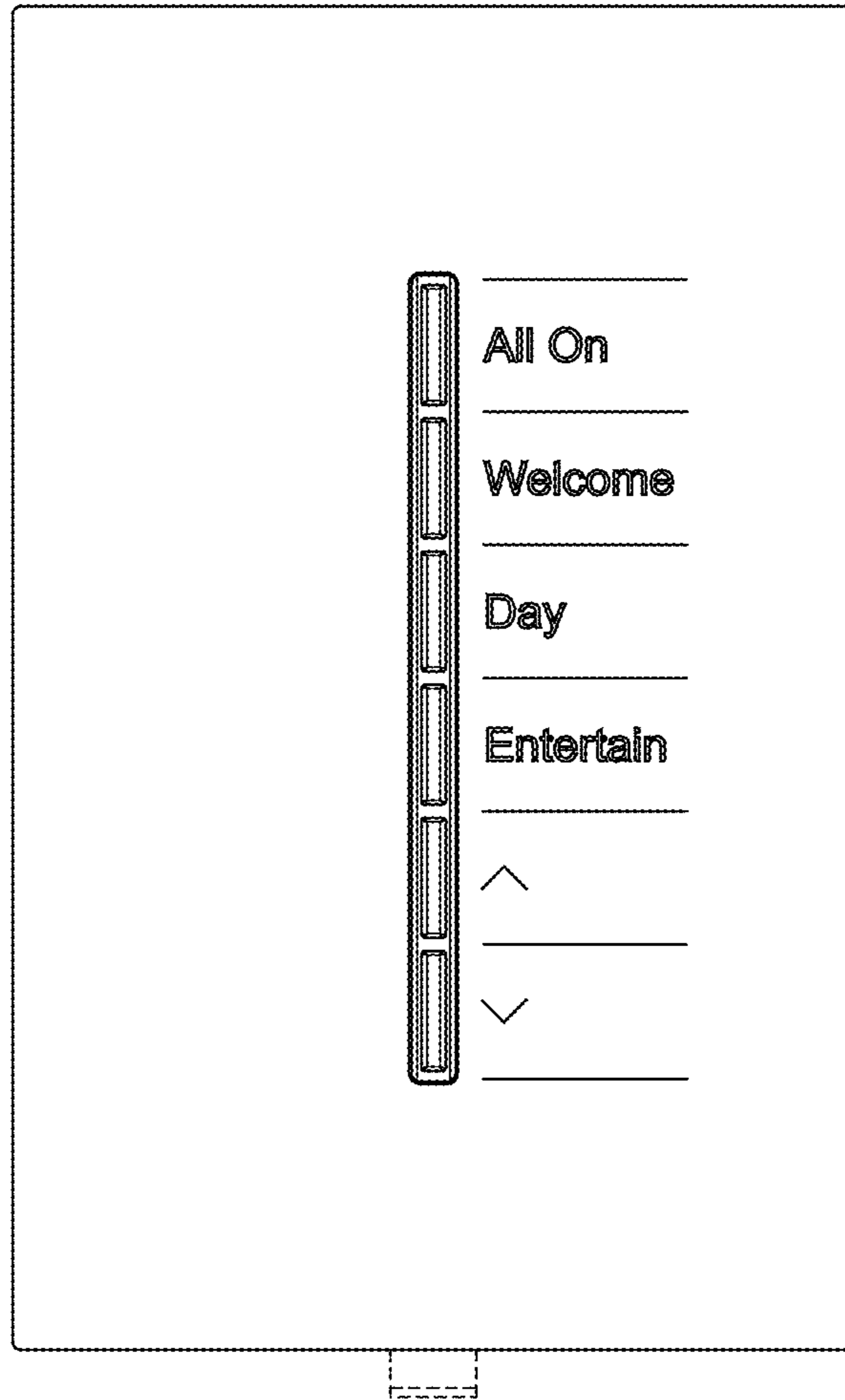


FIG. 7



**FIG. 8**



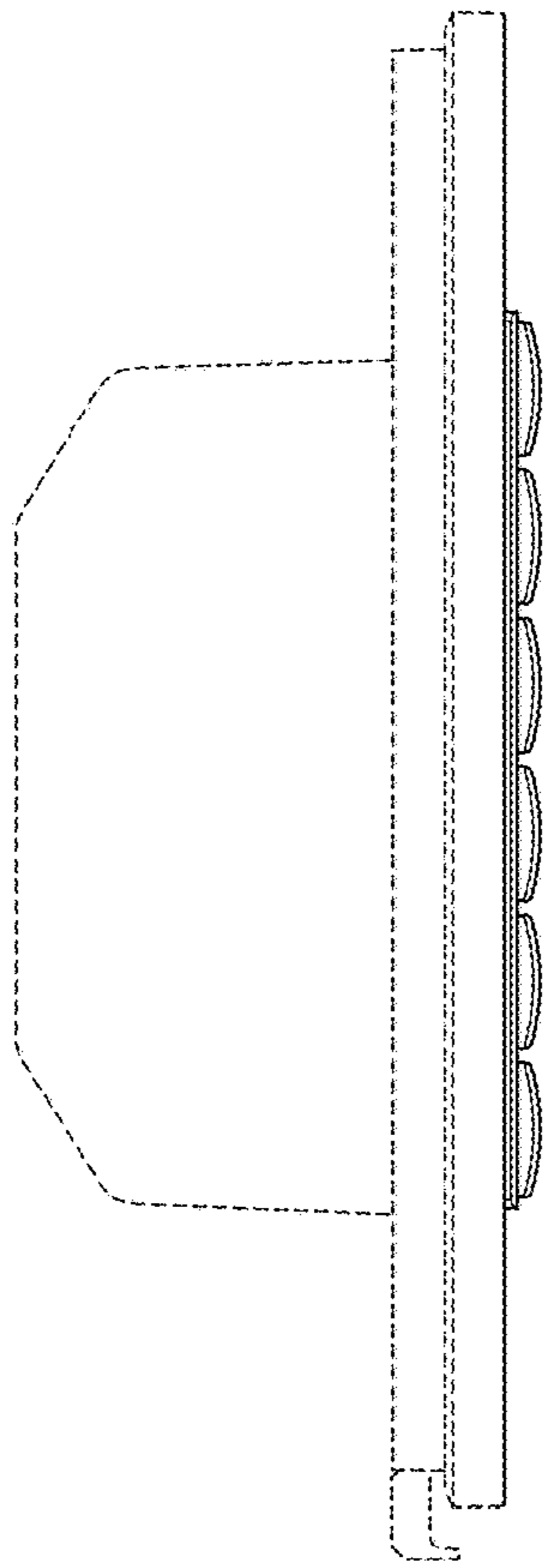


FIG. 9

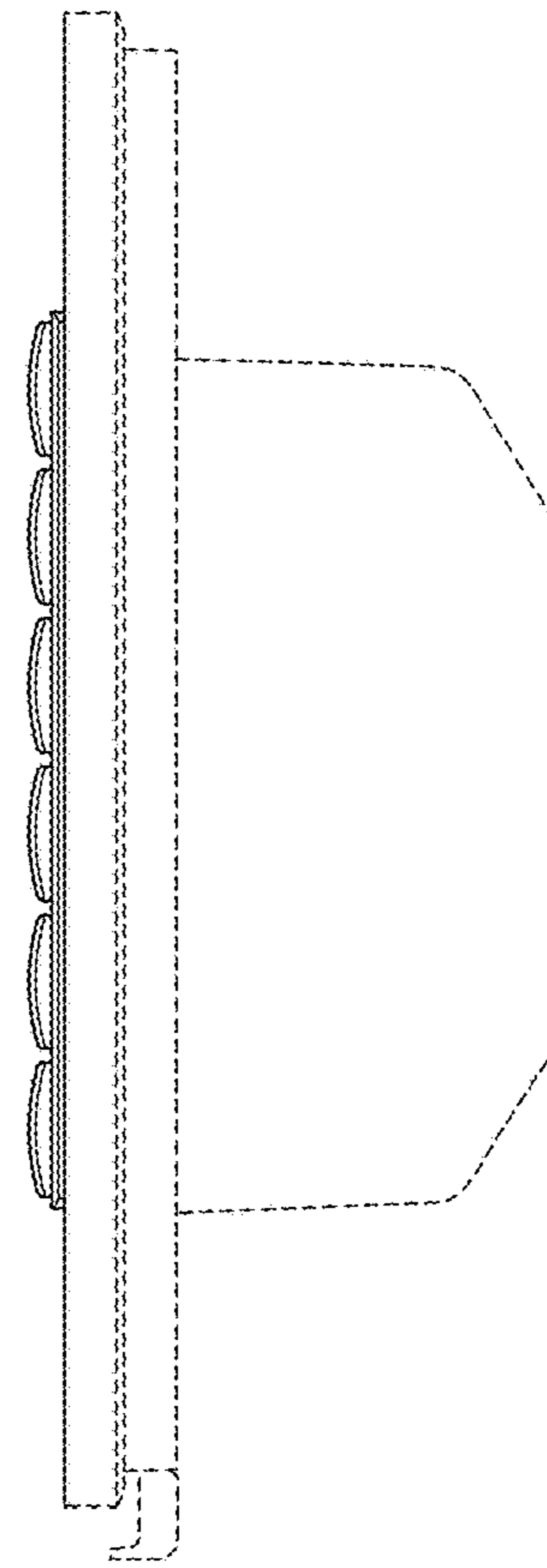
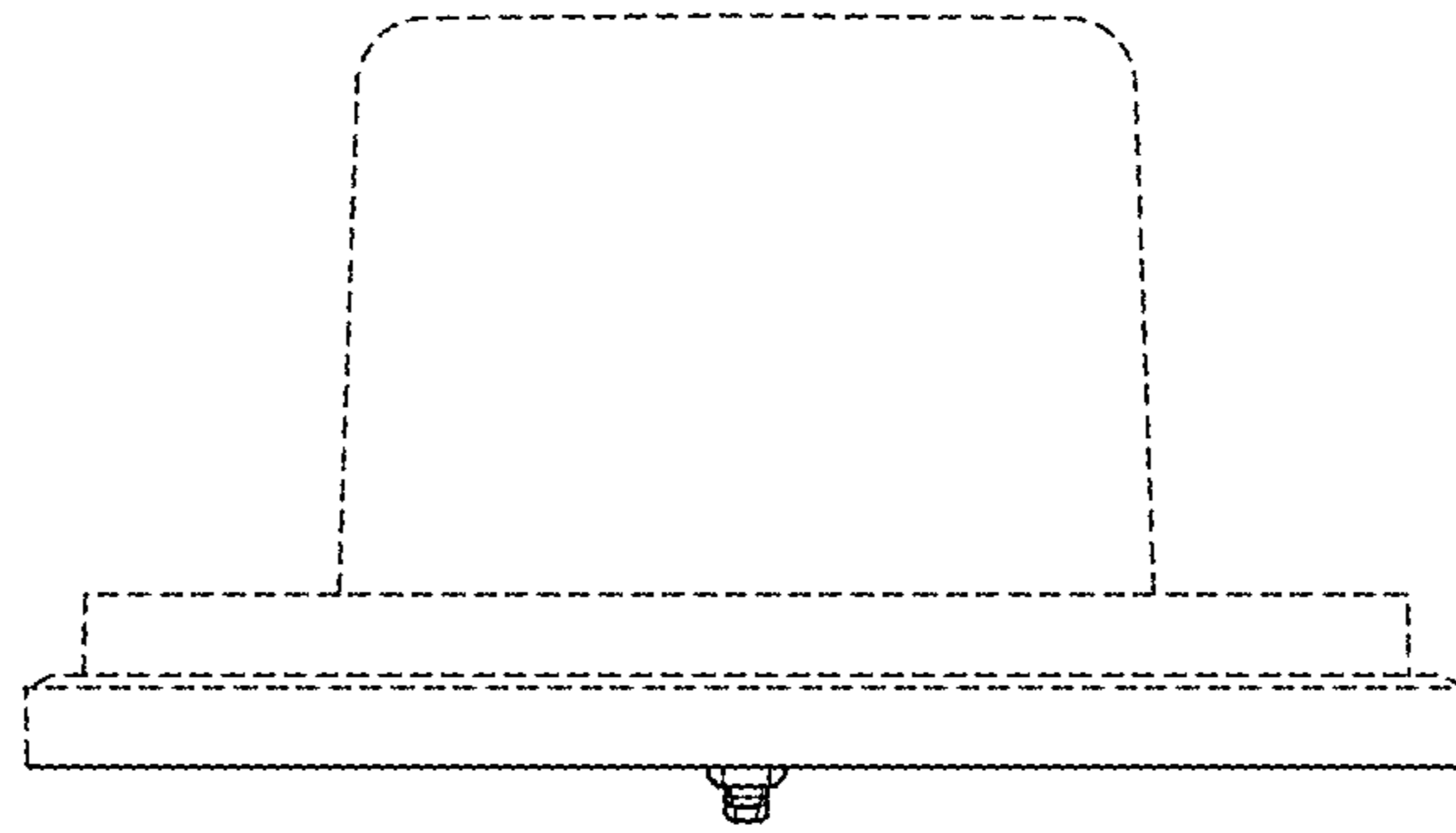
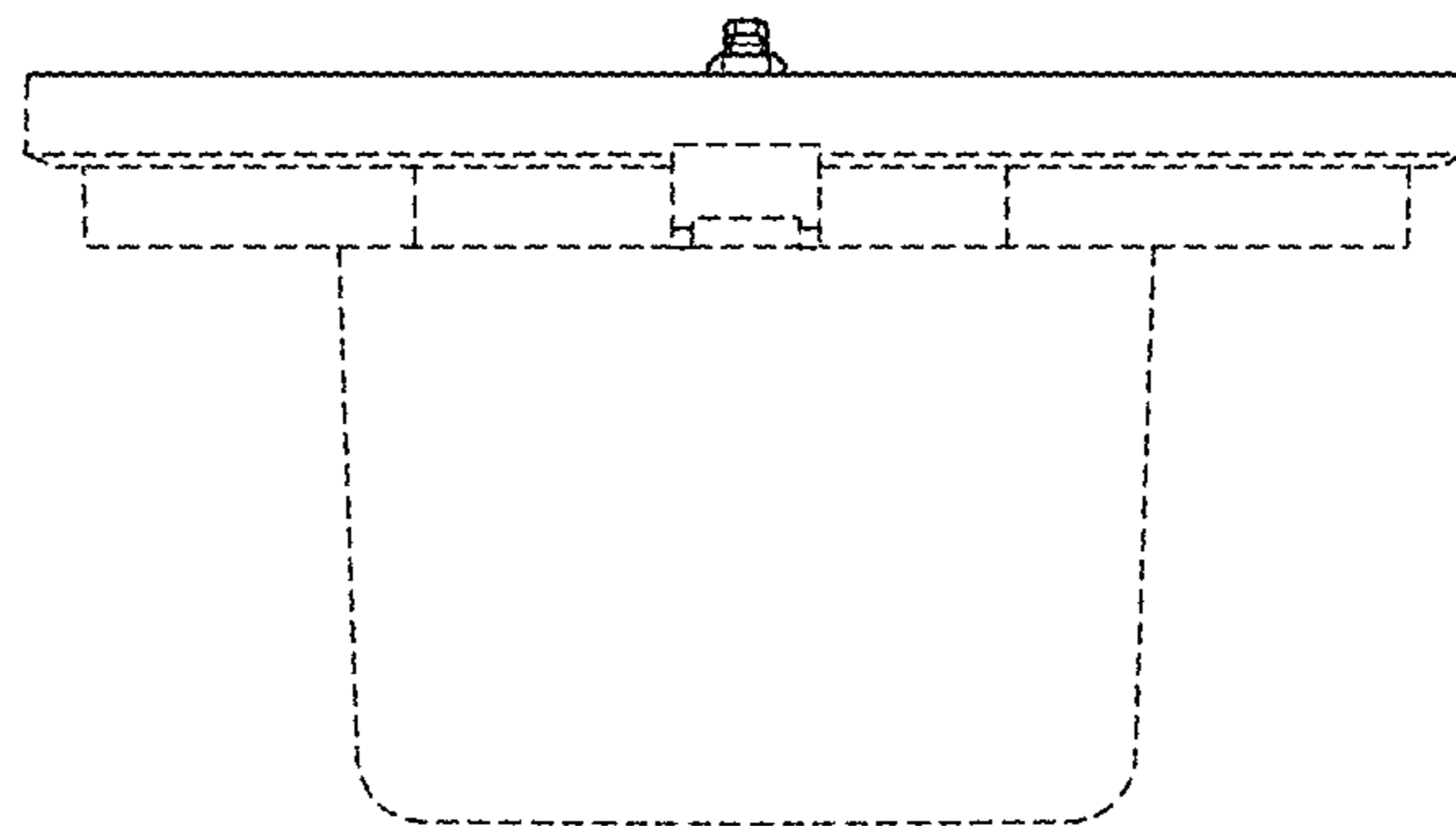


FIG. 10



**FIG. 11**



**FIG. 12**