



US00D784271S

(12) **United States Design Patent**  
**Burke et al.**

(10) **Patent No.:** **US D784,271 S**  
(45) **Date of Patent:** **\*\* Apr. 18, 2017**

(54) **TABLE TOP LIGHTING CONTROL**

(71) Applicants: **Marde Burke**, Edmond, OK (US); **Phil Cascia**, Oklahoma City, OK (US); **Douglas Cameron Trice**, Oklahoma City, OK (US)

(72) Inventors: **Marde Burke**, Edmond, OK (US); **Phil Cascia**, Oklahoma City, OK (US); **Douglas Cameron Trice**, Oklahoma City, OK (US)

(\*\*) Term: **15 Years**

(21) Appl. No.: **29/547,762**

(22) Filed: **Dec. 7, 2015**

(51) **LOC (10) Cl.** ..... **14-03**

(52) **U.S. Cl.**  
USPC ..... **D13/168**

(58) **Field of Classification Search**  
USPC ..... D13/164, 168, 174; D14/125, 140, 214, D14/215, 216, 218, 240, 434  
CPC .... H03J 1/0025; H03J 9/00; H03J 9/02; H03J 9/04; H03J 9/06; H01H 9/18; H01H 9/0235; H04B 1/202; H05B 33/0803; H05B 33/0863; H05B 37/02; H05B 37/0272; H05B 39/088; H05B 39/041; G05B 11/01; G05B 2219/2642; G08C 17/00; G08C 17/02; G08C 19/28; G08C 23/04; G08C 2201/20; G08C 2201/30; G08C 2201/33; G08C 2201/40; G08C 2201/91; G08C 2201/92  
See application file for complete search history.

(56) **References Cited**

**U.S. PATENT DOCUMENTS**

D208,475 S \* 9/1967 Wood et al. .... D13/168  
D392,407 S \* 3/1998 Johnson ..... D26/104

D518,029 S \* 3/2006 Tsang ..... D14/216  
D541,228 S \* 4/2007 Thursfield ..... D13/168  
D542,279 S \* 5/2007 Chan ..... D14/216  
D581,414 S \* 11/2008 Tellier ..... D14/358  
D581,927 S \* 12/2008 Sumii ..... D14/356  
D593,509 S \* 6/2009 Glassman ..... D13/168  
D598,020 S \* 8/2009 Lu ..... D14/358  
D600,216 S \* 9/2009 Glassman ..... D13/168  
D606,979 S \* 12/2009 Henry ..... D14/218  
D625,295 S \* 10/2010 Nogueira ..... D14/218  
D627,308 S \* 11/2010 Snyder ..... D13/168  
D646,824 S \* 10/2011 Bembridge ..... D26/67  
D663,878 S \* 7/2012 Ho ..... D26/67  
D691,587 S \* 10/2013 Ferber ..... D14/216  
D691,965 S \* 10/2013 Bedolla ..... D13/162  
D692,413 S \* 10/2013 Holzer ..... D14/215  
D695,713 S \* 12/2013 Szymanski ..... D14/216  
D714,248 S \* 9/2014 Chang ..... D14/140  
D719,146 S \* 12/2014 Herbst ..... D14/253

(Continued)

*Primary Examiner* — Selina Sikder

(74) *Attorney, Agent, or Firm* — Resolution Legal Group; Bruce LaBrie

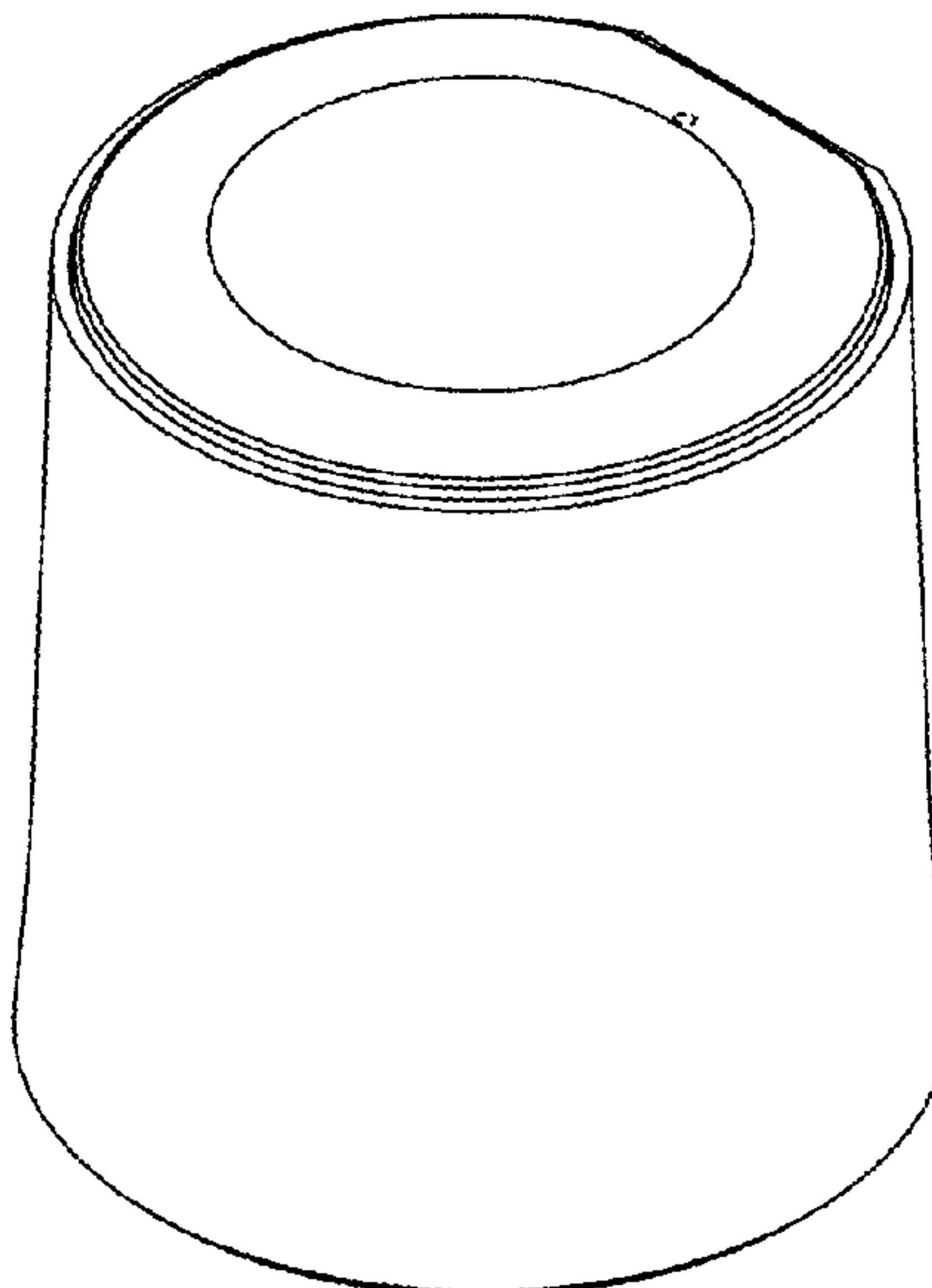
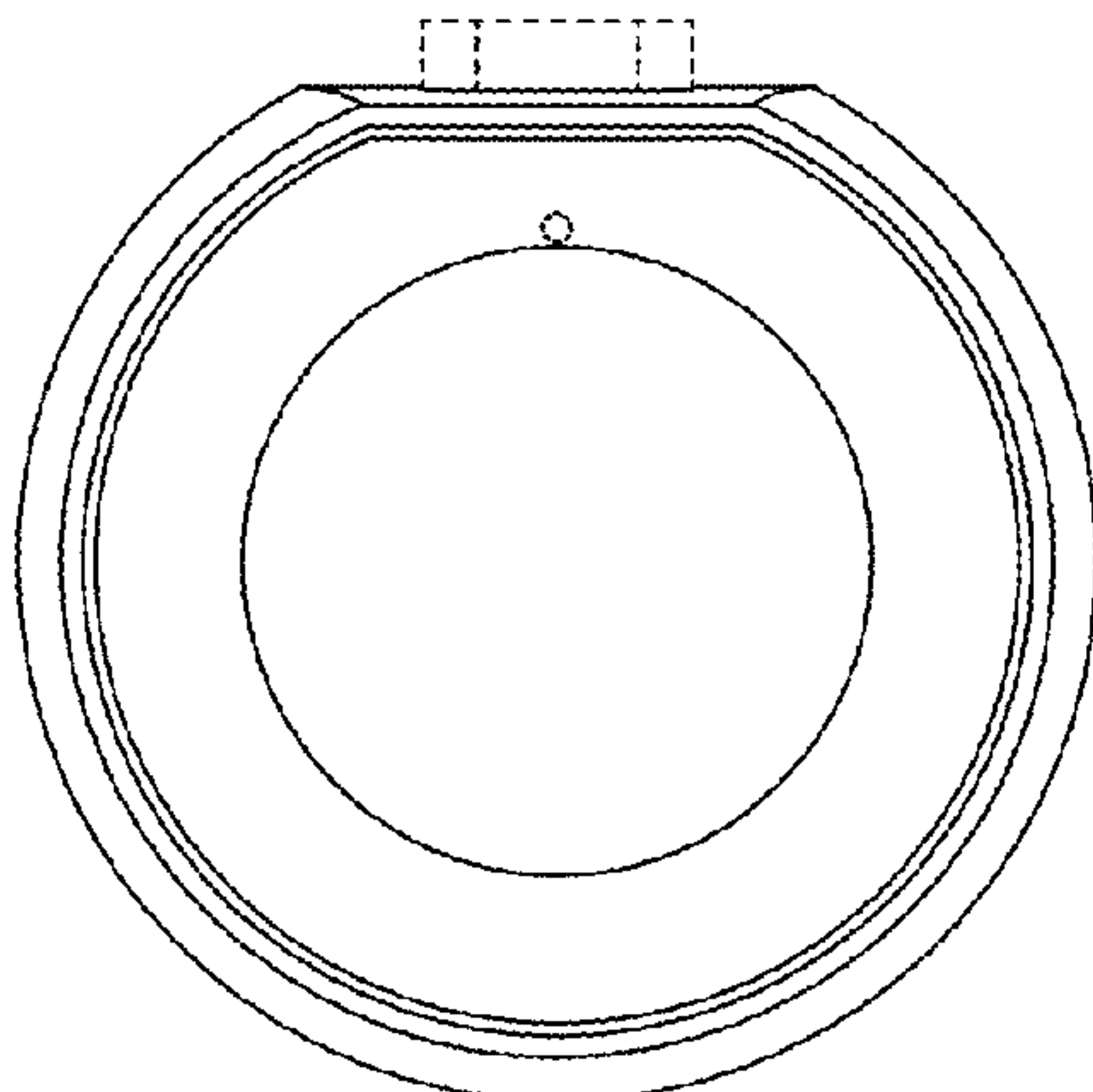
(57) **CLAIM**

The ornamental design for a table top lighting control, as shown and described.

**DESCRIPTION**

FIG. 1 is a front elevational view of a table top lighting control showing our new design;  
FIG. 2 is a top plan view thereof;  
FIG. 3 is a bottom plan view thereof;  
FIG. 4 is a left side elevational view thereof;  
FIG. 5 is a right side elevation view;  
FIG. 6 is a rear elevational view thereof; and,  
FIG. 7 is a top, right front perspective view thereof.  
The structural features depicted by broken lines have been shown for the purpose of illustrating portions of the table top lighting control that form no part of the claimed design.

**1 Claim, 2 Drawing Sheets**



(56)

**References Cited**

U.S. PATENT DOCUMENTS

8,902,049 B2 \* 12/2014 Fushimi ..... H05B 37/0272  
340/12.22  
D725,285 S \* 3/2015 Wohlstadter ..... D14/336  
D729,772 S \* 5/2015 Ferber ..... D14/216  
D737,789 S \* 9/2015 Leung ..... D14/125  
D738,870 S \* 9/2015 Ding ..... D14/240  
D743,943 S \* 11/2015 Kim ..... D14/218  
D748,078 S \* 1/2016 Nardin ..... D14/218  
D763,210 S \* 8/2016 Park ..... D14/125  
D772,174 S \* 11/2016 Spira ..... D13/168  
2011/0076950 A1 \* 3/2011 Pope ..... H04W 52/0229  
455/41.3  
2013/0334969 A1 \* 12/2013 Ishikita ..... H05B 37/0227  
315/129

\* cited by examiner

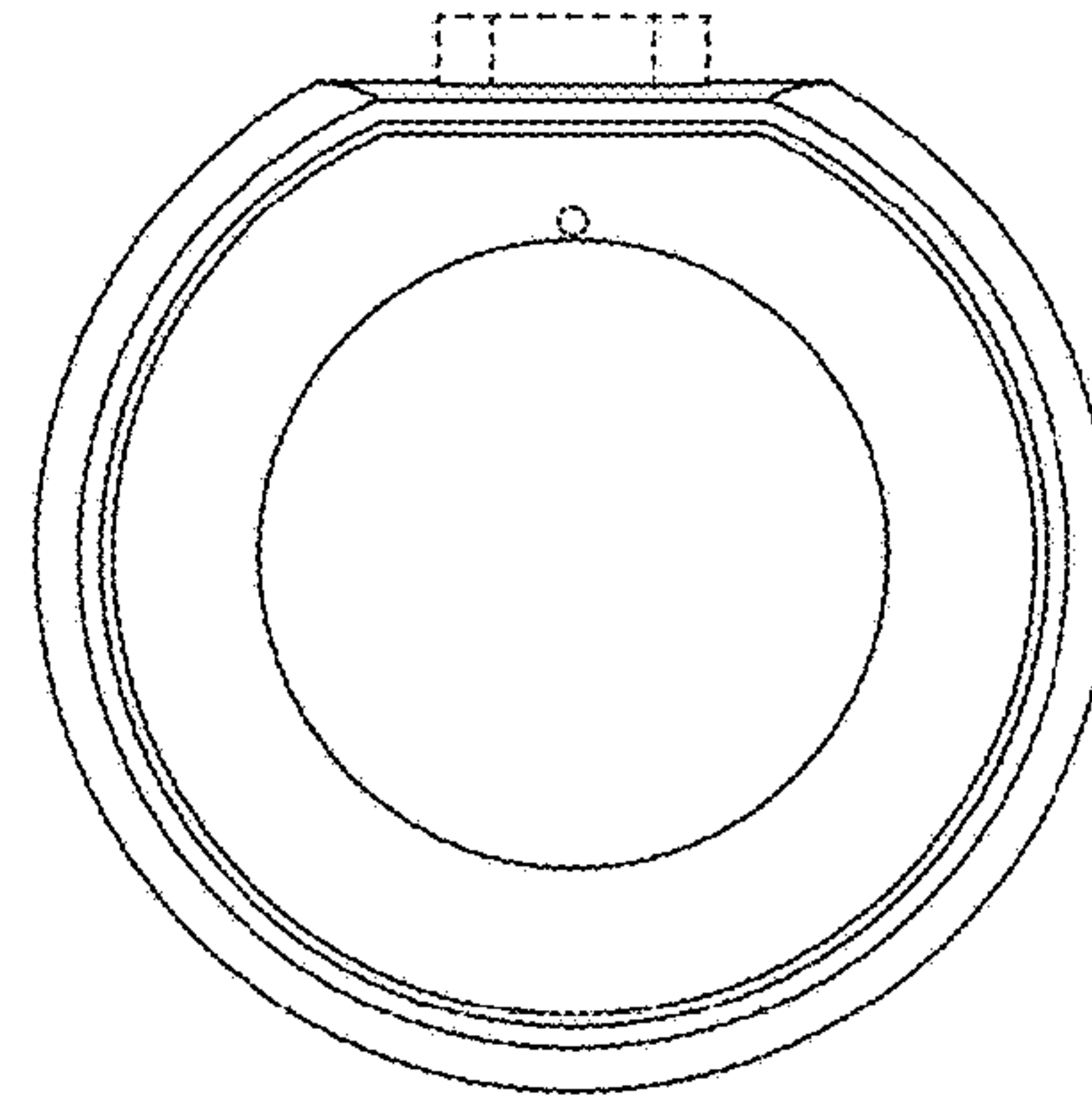


FIG 2

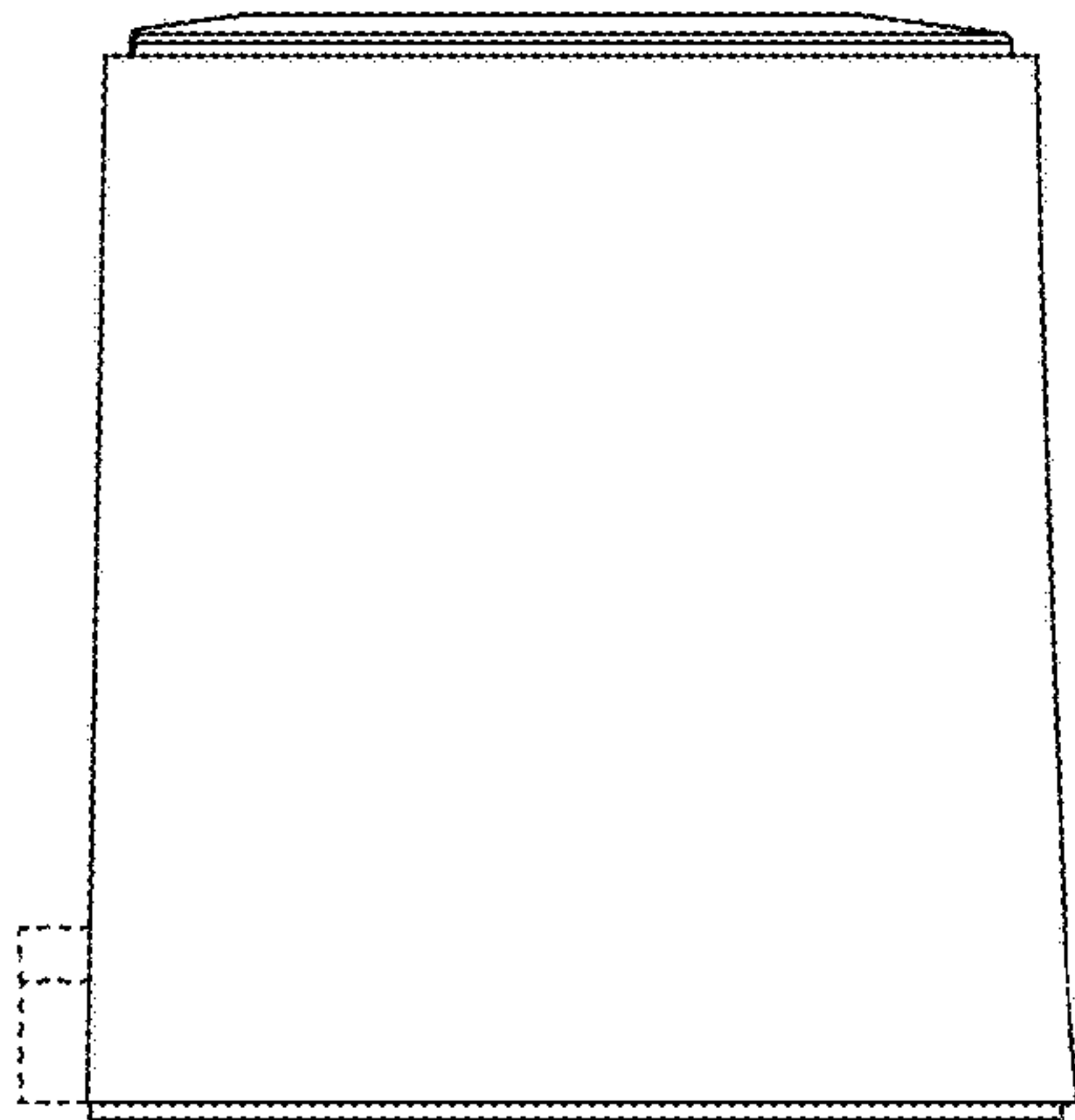


FIG 4

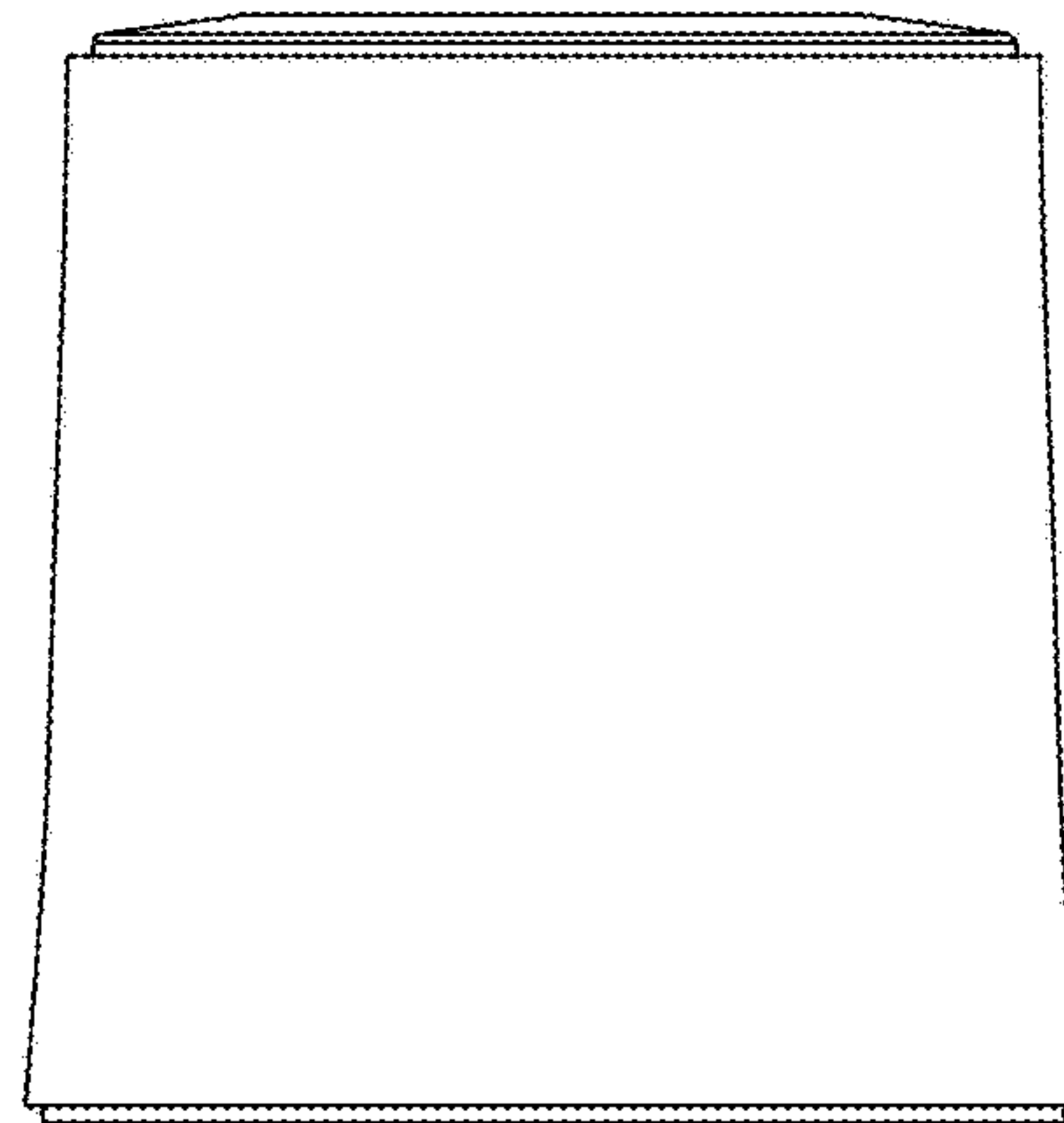


FIG 1

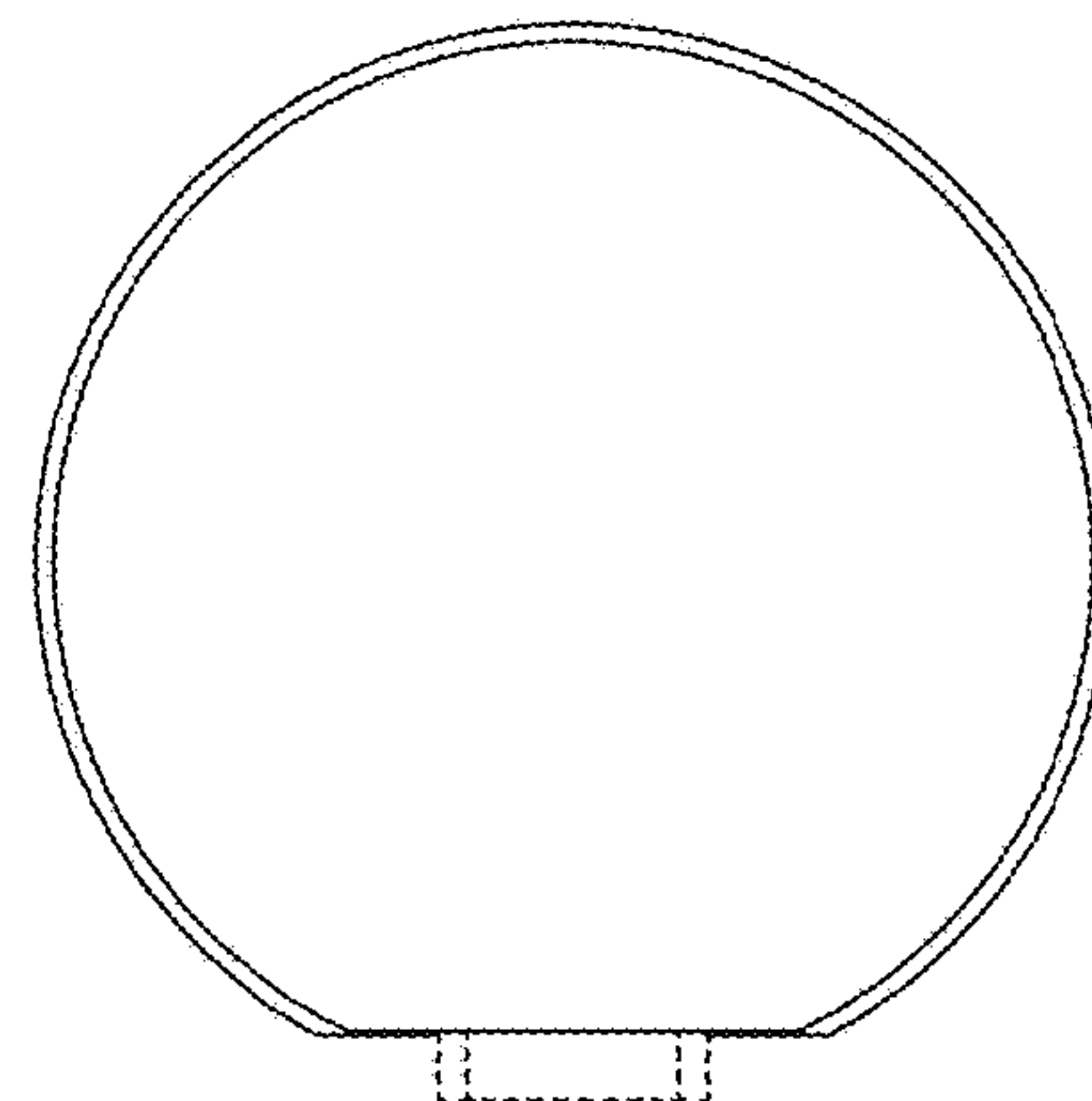


FIG 3

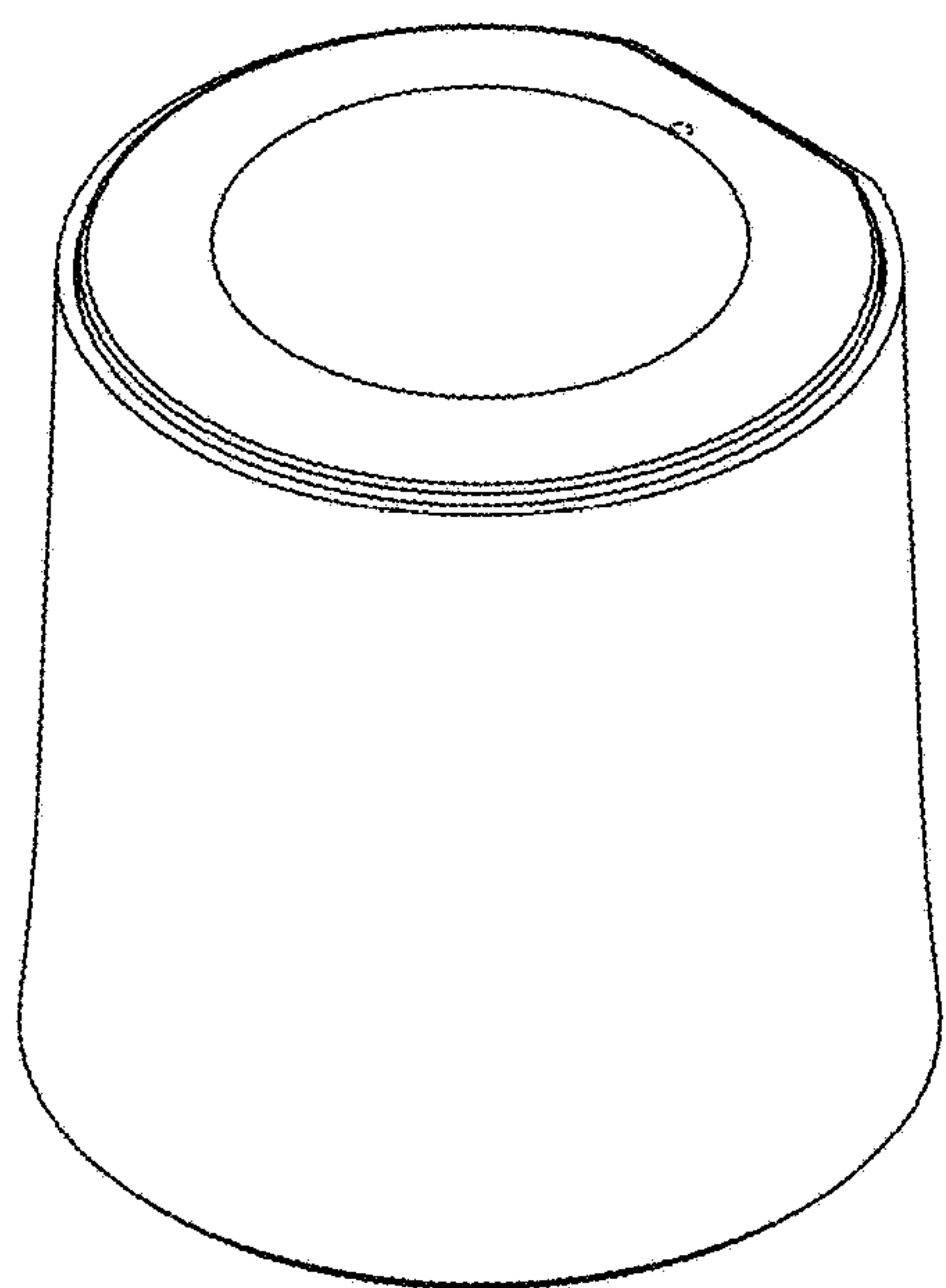


FIG 7

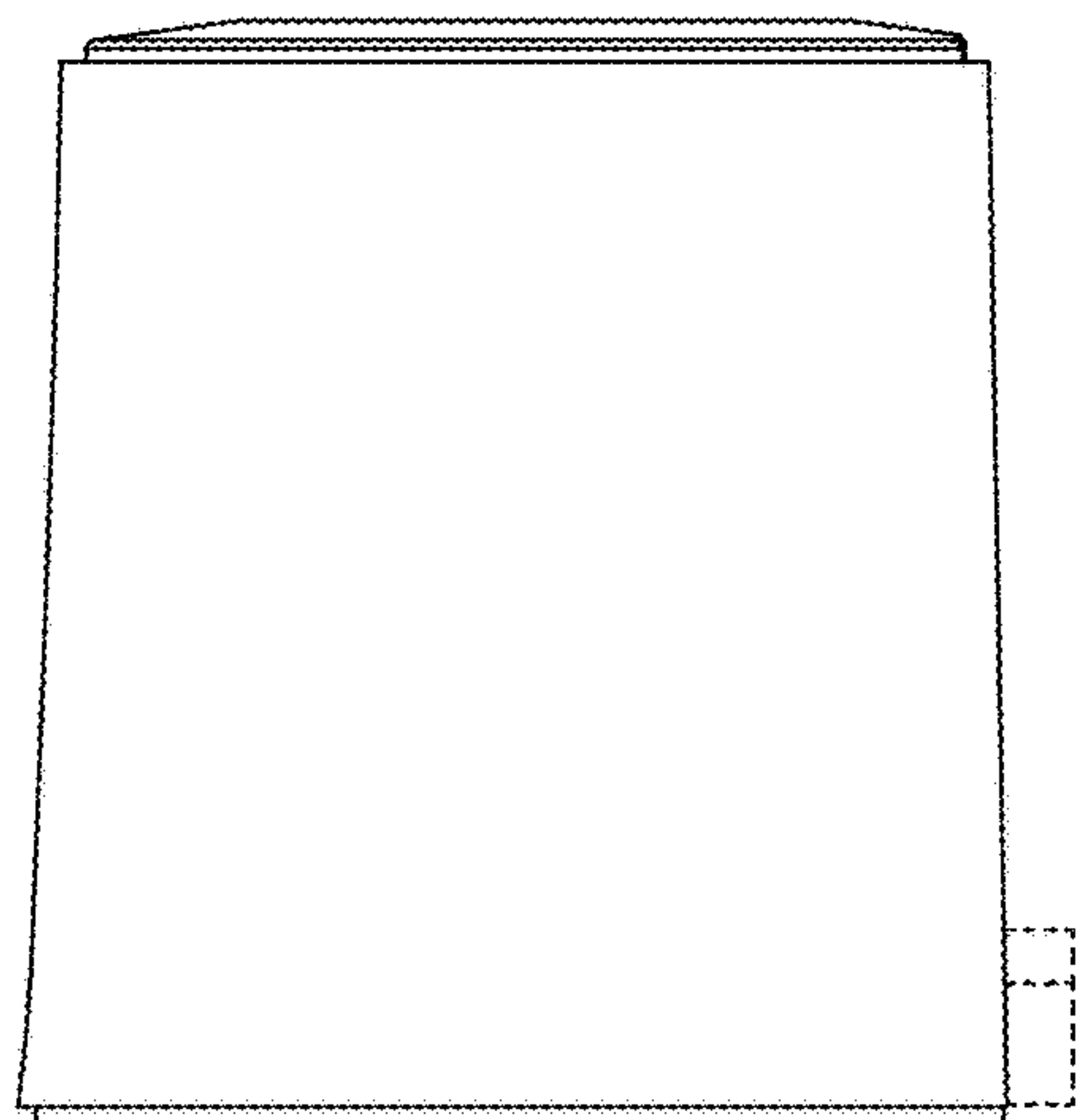


FIG 5

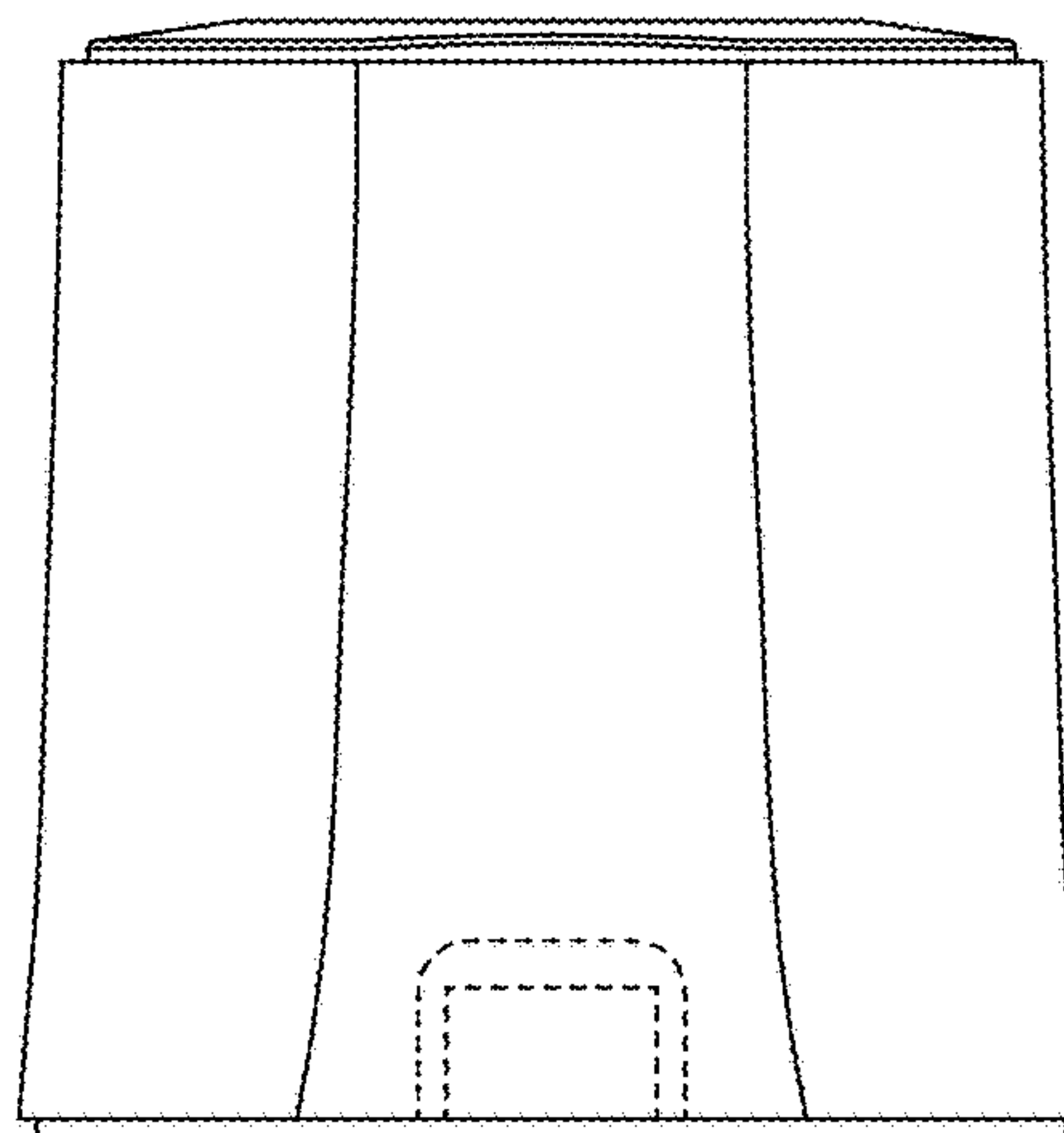


FIG 6