



US00D784269S

(12) **United States Design Patent**
Bhattacharya et al.

(10) **Patent No.:** **US D784,269 S**

(45) **Date of Patent:** **** Apr. 18, 2017**

(54) **CONTROL PANEL**

(71) Applicant: **Vivint, Inc.**, Provo, UT (US)

(72) Inventors: **Abhijeet Bhattacharya**, Lehi, UT (US); **Stephen Edward Boynton**, Pleasant Grove, UT (US)

(73) Assignee: **VIVINT, INC.**, Provo, UT (US)

(**) Term: **15 Years**

(21) Appl. No.: **29/554,114**

(22) Filed: **Feb. 8, 2016**

(51) **LOC (10) Cl.** **13-03**

(52) **U.S. Cl.**
USPC **D13/162; D13/163**

(58) **Field of Classification Search**
USPC D13/162; D6/300, 308, 310; D10/49, D10/50, 104.1, 106.1, 106.95; D14/126, D14/129, 336, 337, 341, 371
CPC F24F 11/00; F24F 11/0012; F24F 11/0086; F24F 11/0009; F24F 2011/0057; F24F 2011/0073; F24F 2011/0091; G05B 19/0426; G05B 19/409; G05B 15/02; G06F 1/1601; G06F 3/0482; G06F 3/0489; G05D 23/1902; G05D 23/1905; G05D 23/1931; H05B 37/02

See application file for complete search history.

(56) **References Cited**

U.S. PATENT DOCUMENTS

D335,963 S *	6/1993	Tracey	D6/300
7,047,092 B2 *	5/2006	Wimsatt	G05B 15/02
				345/173
D608,547 S *	1/2010	Peng	D6/310
D661,266 S *	6/2012	Laube	D14/126
D680,980 S *	4/2013	Park	D14/126
D690,661 S *	10/2013	Wisniewski	D13/162

D691,979 S *	10/2013	Park	D14/126
D694,195 S *	11/2013	Gammon	D13/162
8,802,981 B2 *	8/2014	Wallaert	F24F 11/00
				174/489
D727,271 S *	4/2015	Shi	D13/162
D727,857 S *	4/2015	Acera	D13/162
D728,560 S *	5/2015	Seoc	D14/341
D741,269 S *	10/2015	Bhattacharya	D10/50
D754,655 S *	4/2016	Groene	D14/341
2006/0161270 A1 *	7/2006	Luskin	G05B 15/02
				700/22
2009/0143880 A1 *	6/2009	Amundson	F24F 11/0086
				700/83
2010/0106305 A1 *	4/2010	Pavlak	F24F 11/001
				700/276
2013/0041486 A1 *	2/2013	Lee	G05B 17/02
				700/83
2013/0184880 A1 *	7/2013	McMahon	G05B 15/02
				700/286

(Continued)

Primary Examiner — Selina Sikder

(74) *Attorney, Agent, or Firm* — Holland & Hart

(57) **CLAIM**

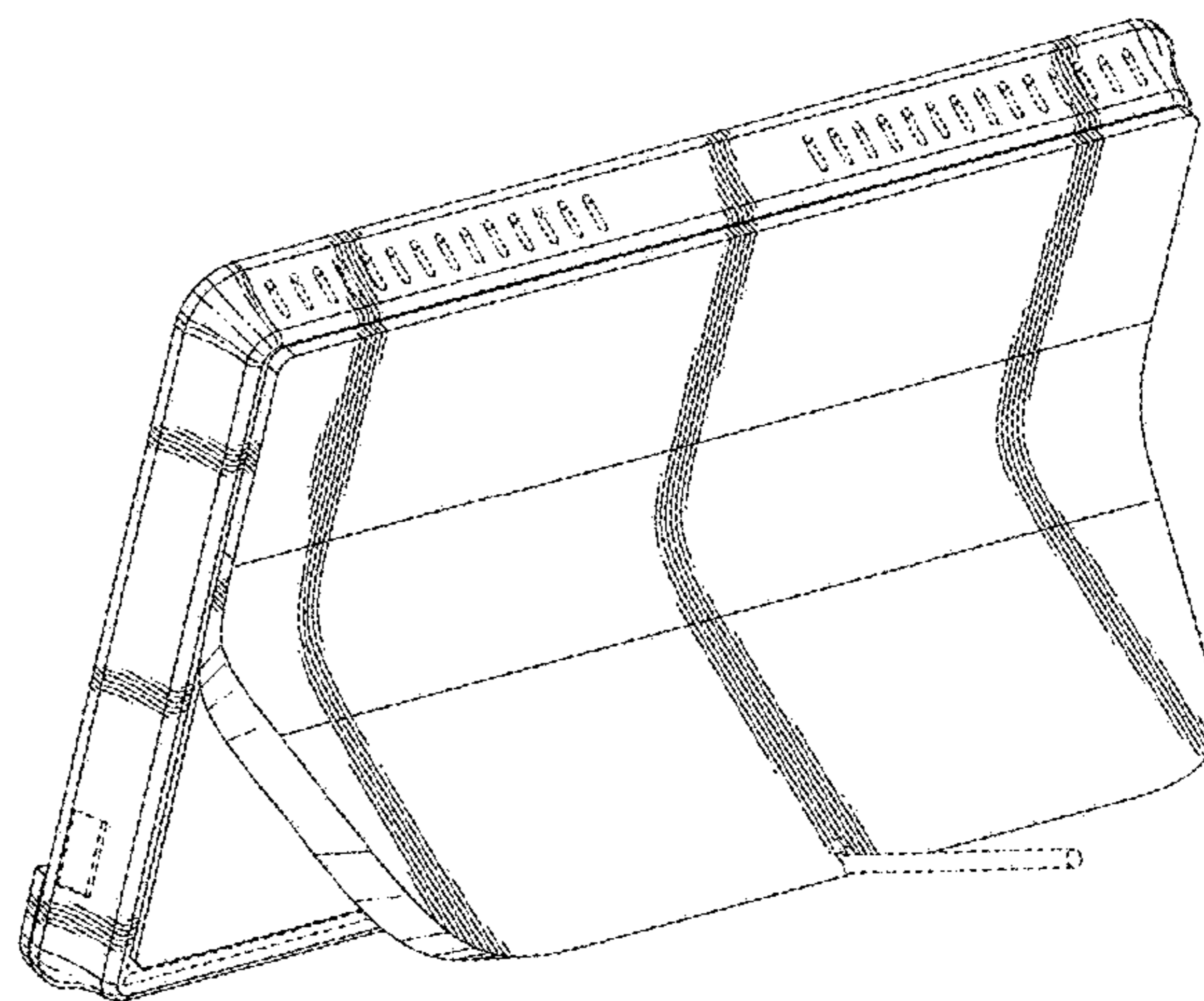
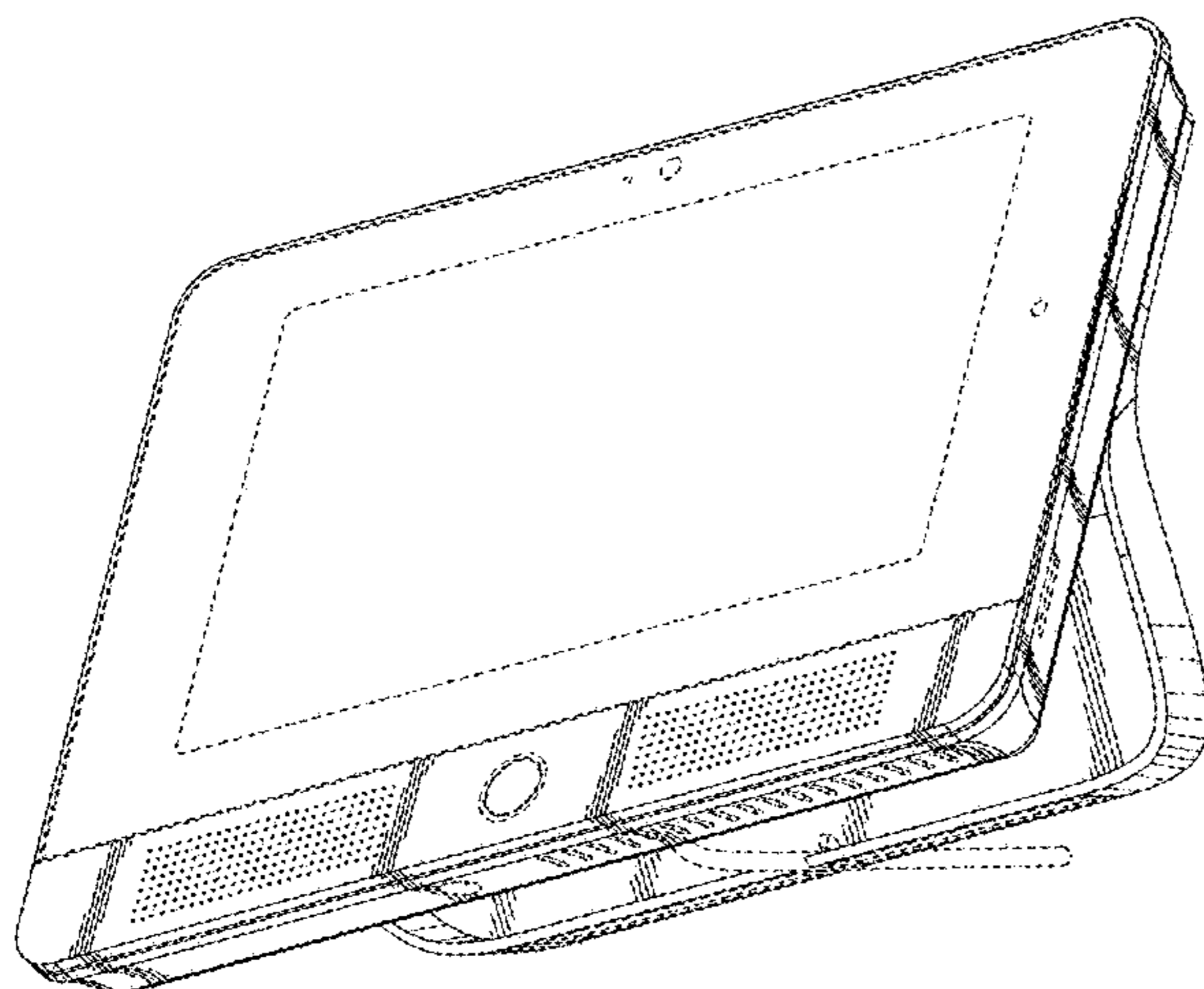
The ornamental design for a control panel, as shown and described.

DESCRIPTION

FIG. 1 is a bottom perspective view of a control panel according to the present invention; FIG. 2 is a rear, top perspective view thereof; FIG. 3 is a top view thereof; FIG. 4 is a bottom view thereof; FIG. 5 is a left side view thereof; FIG. 6 is a right side view thereof; FIG. 7 is a rear view thereof; and, FIG. 8 is a front view thereof.

The broken line showing of the control panel is for illustrative purposes only and forms no part of the claimed design.

1 Claim, 8 Drawing Sheets



(56)

References Cited

U.S. PATENT DOCUMENTS

2016/0327299 A1* 11/2016 Ribbich F24F 11/0086
2016/0327300 A1* 11/2016 Ribbich F24F 11/0086

* cited by examiner

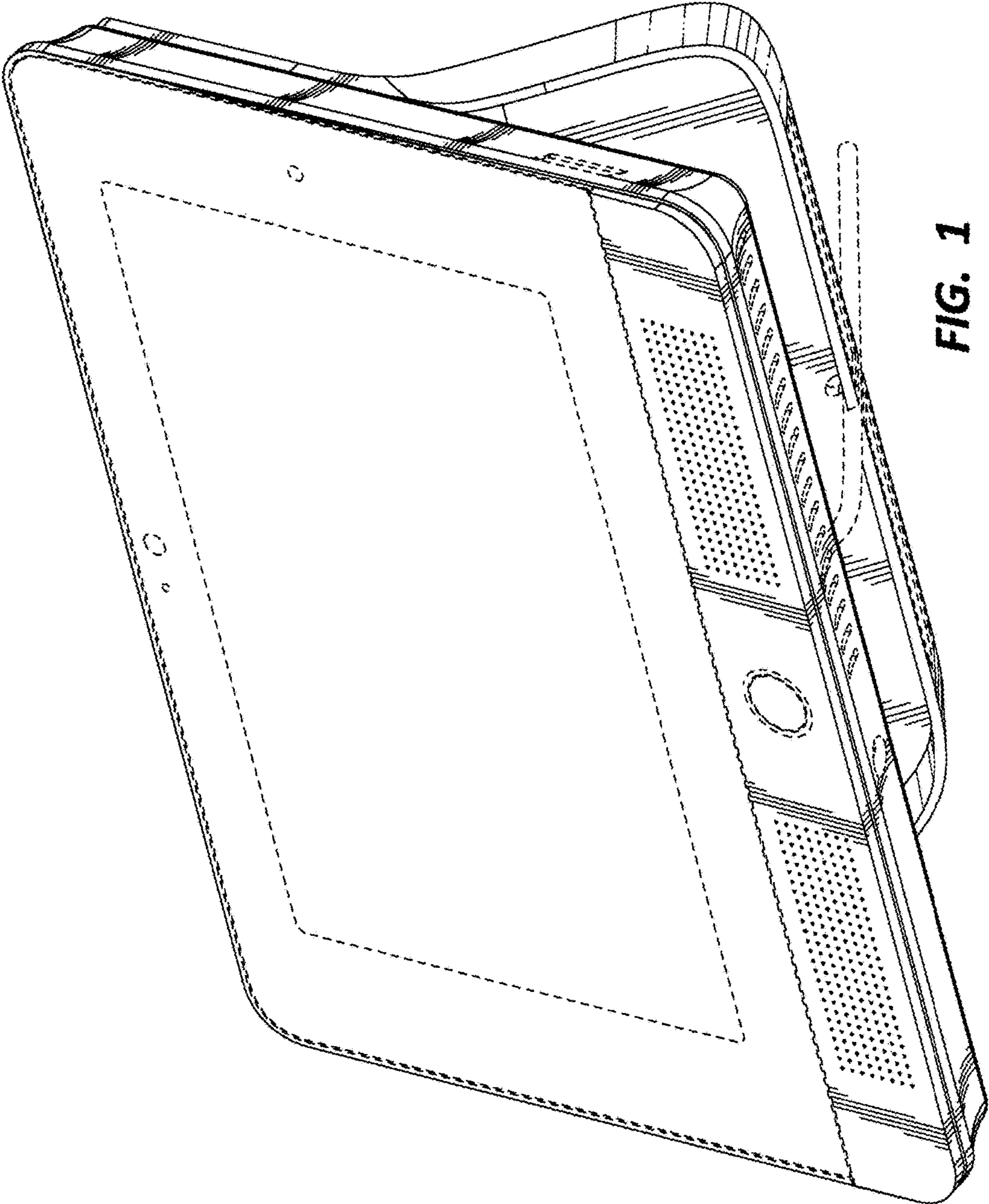


FIG. 1

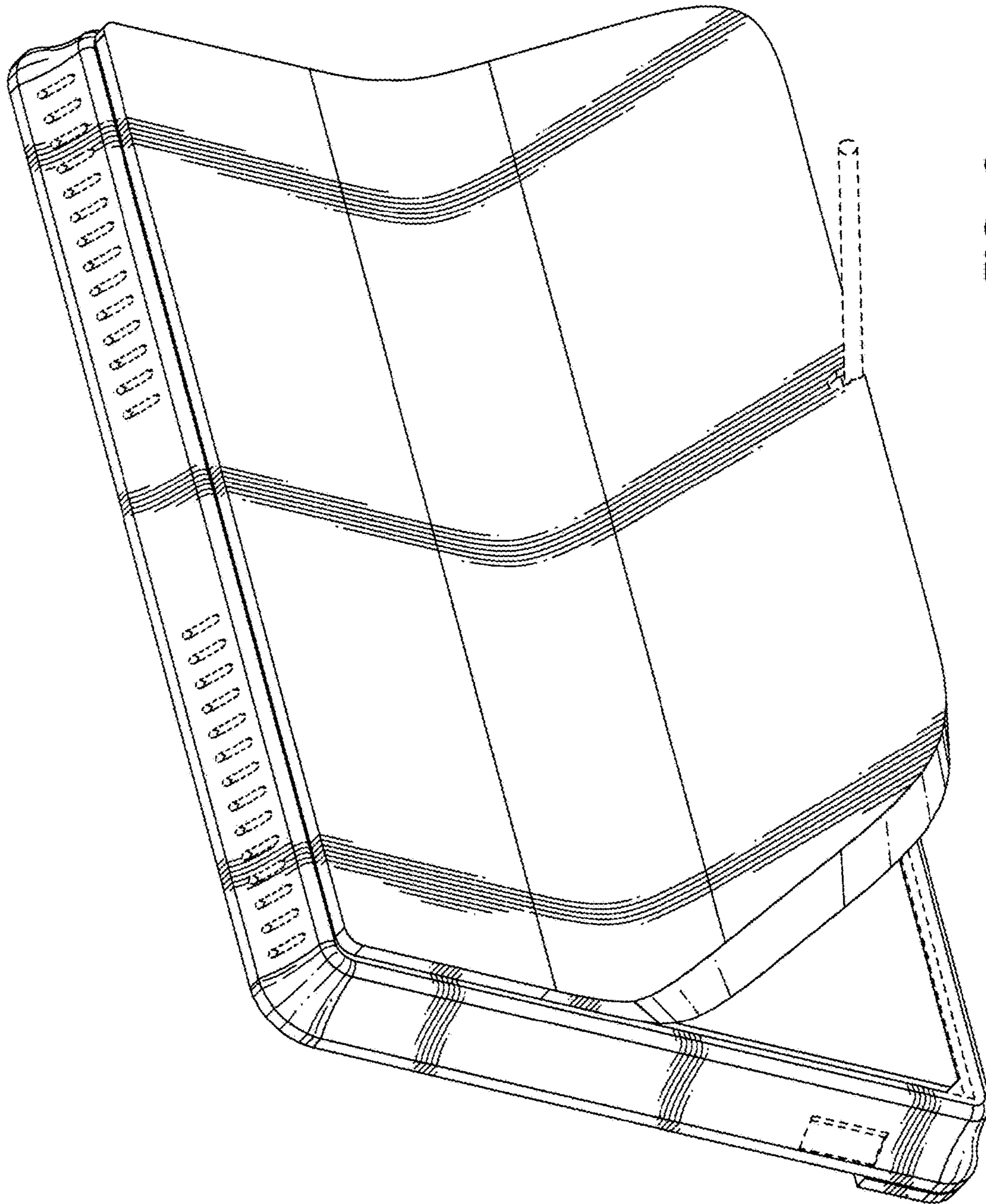


FIG. 2

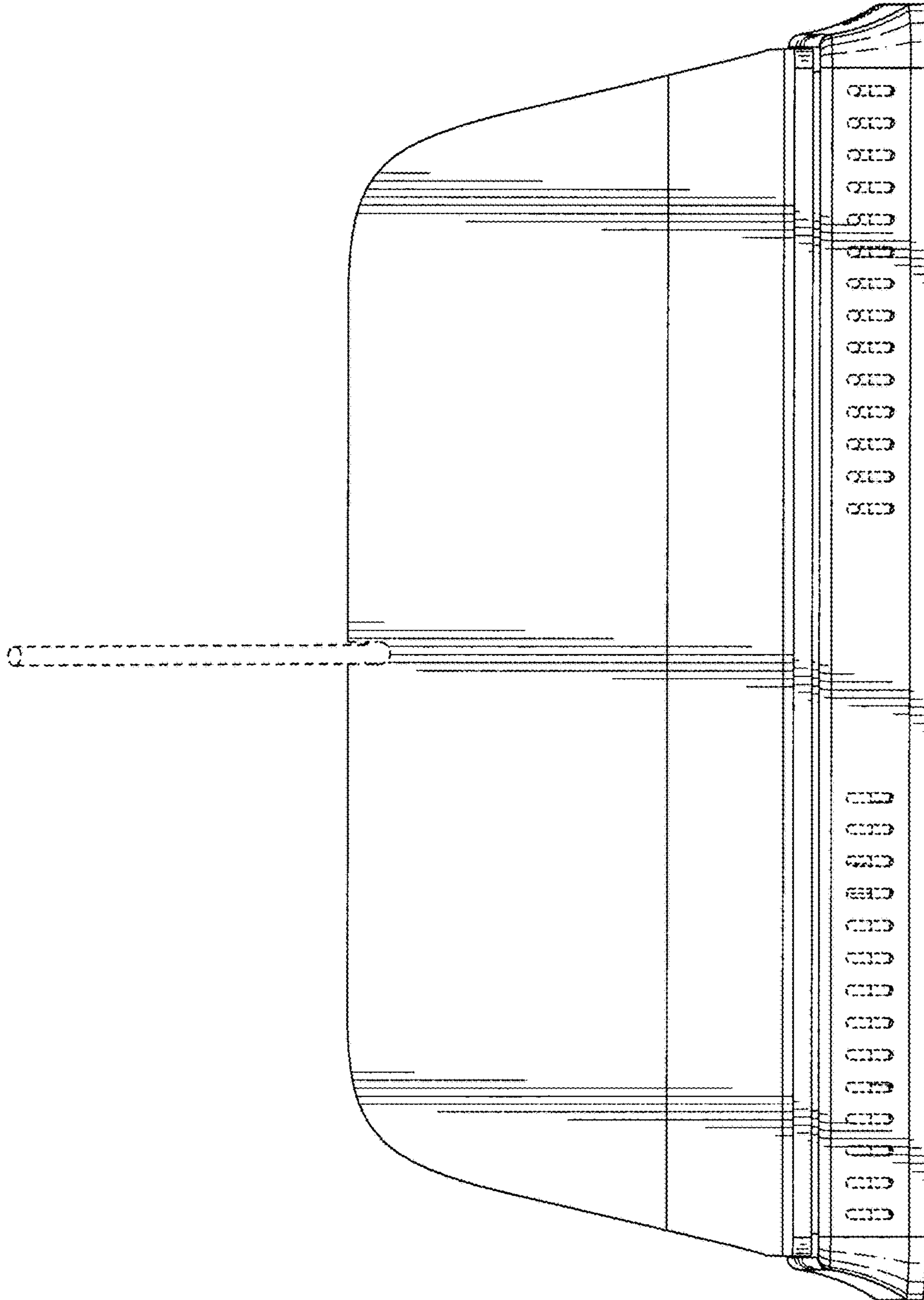


FIG. 3

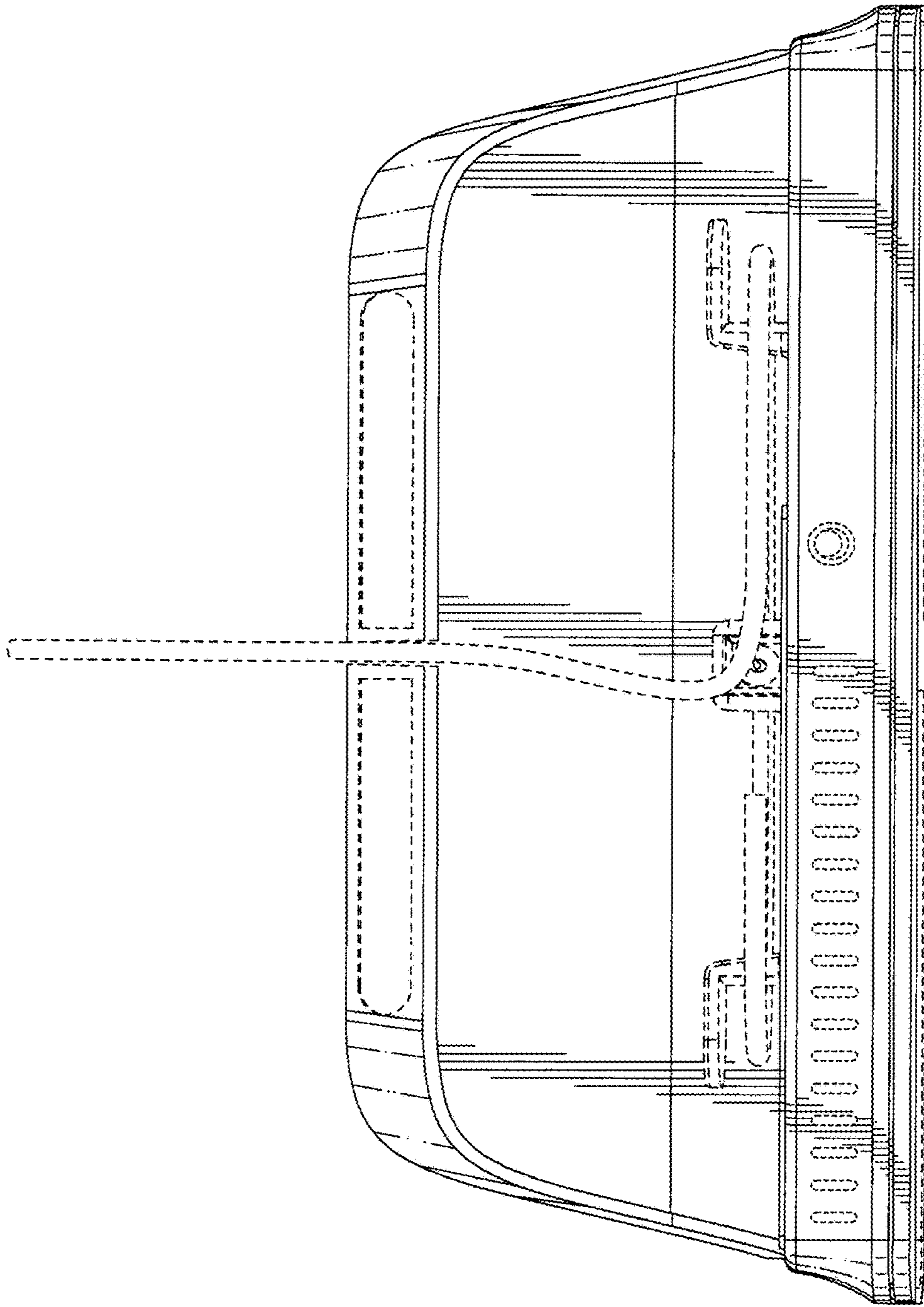


FIG. 4

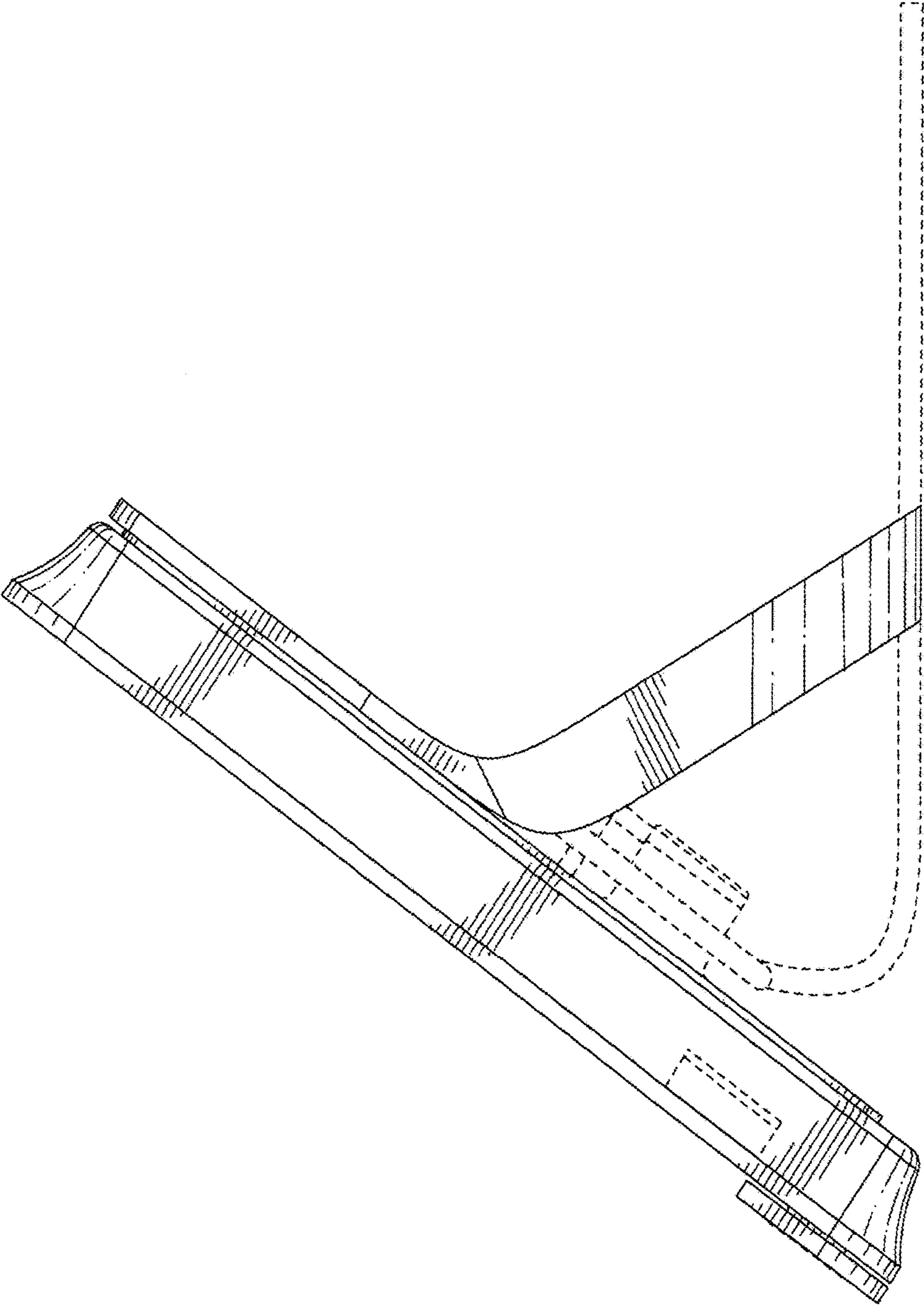


FIG. 5

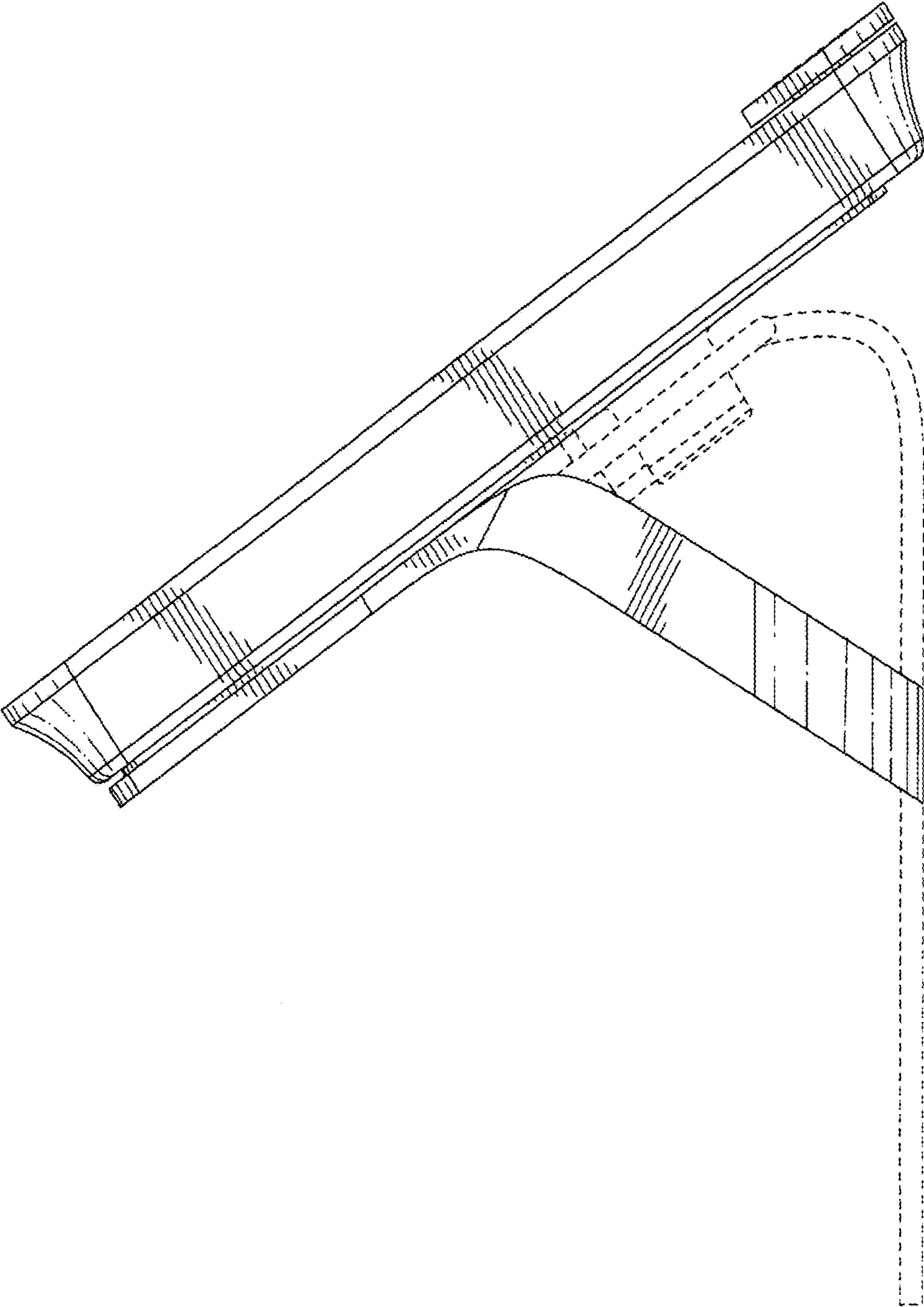


FIG. 6

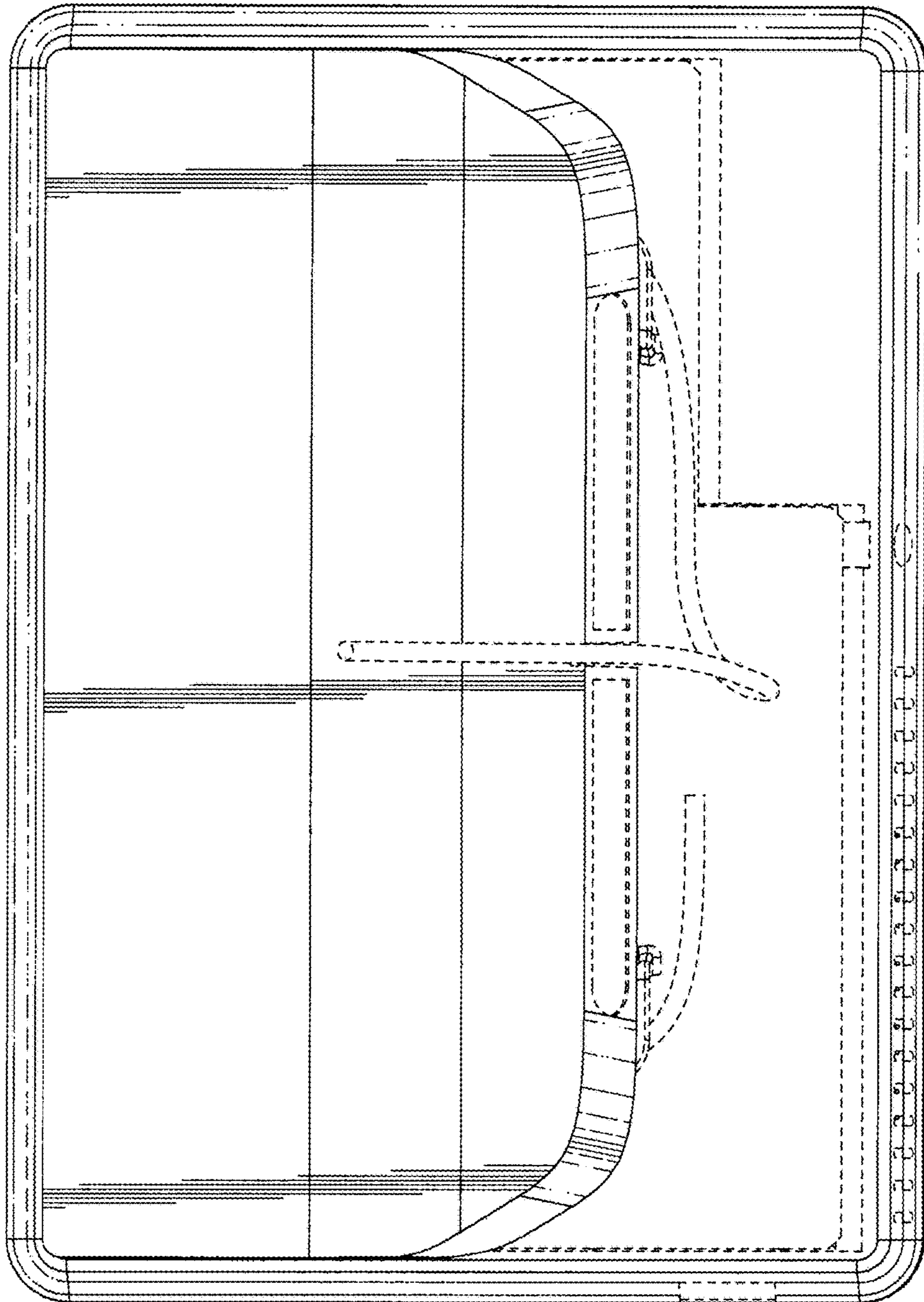


FIG. 7

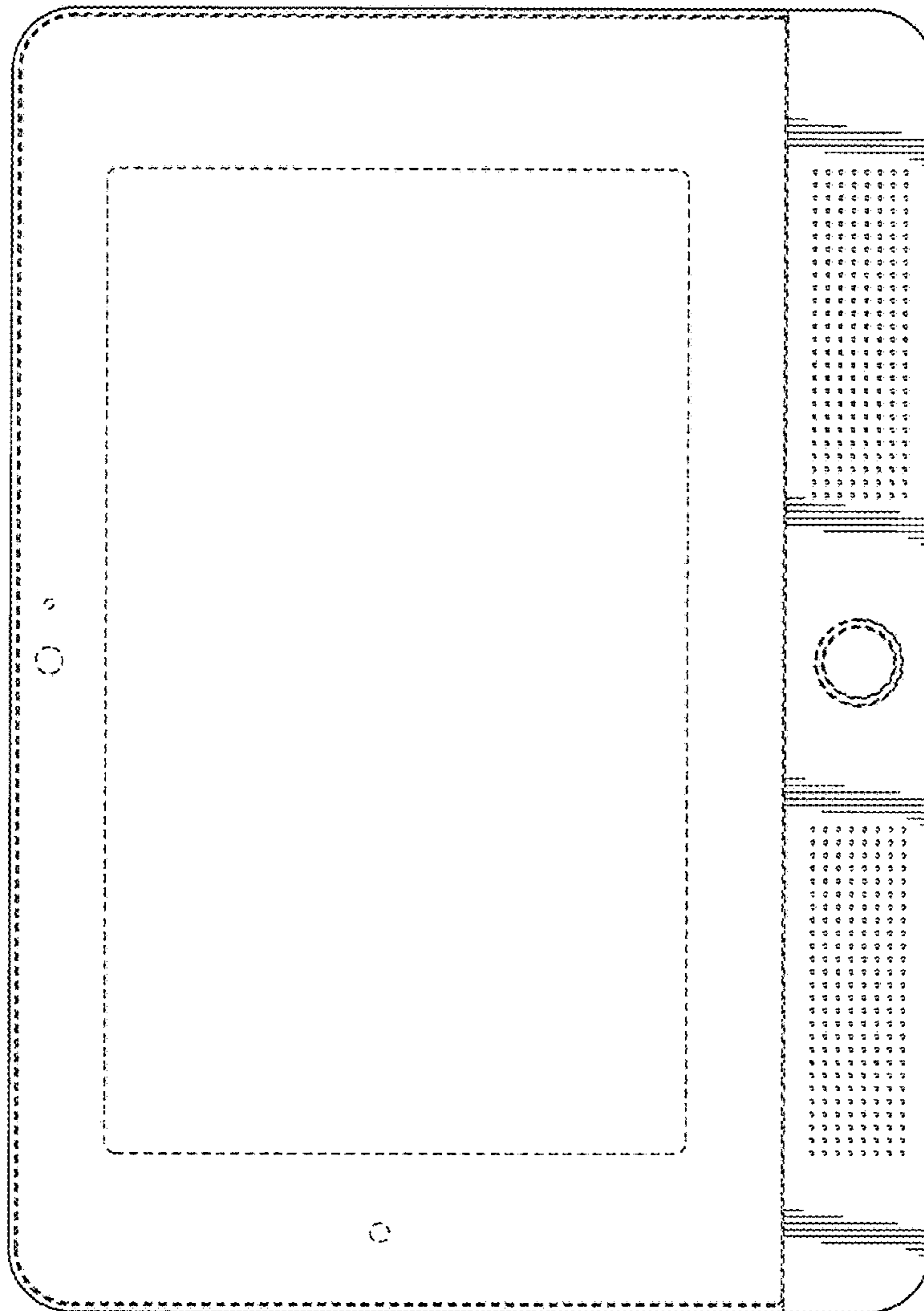


FIG. 8