



US00D784267S

(12) **United States Design Patent**
Vose

(10) **Patent No.:** **US D784,267 S**
(45) **Date of Patent:** **** Apr. 18, 2017**

(54) **CABLE BRAIDING AND STRAIN RELIEF**

4,131,759 A * 12/1978 Felkel H01B 7/226
138/130

(71) Applicant: **TESSCO Communications Incorporated**, Hunt Valley, MD (US)

D368,696 S 4/1996 Nagele et al.
5,608,190 A 3/1997 Skowronski
(Continued)

(72) Inventor: **Colin Vose**, Baltimore, MD (US)

(73) Assignee: **Tessco Communications Incorporated**, Hunt Valley, MD (US)

(**) Term: **15 Years**

(21) Appl. No.: **29/536,469**

(22) Filed: **Aug. 17, 2015**

(51) **LOC (10) Cl.** **13-03**

(52) **U.S. Cl.**
USPC **D13/153**

(58) **Field of Classification Search**
USPC D13/153, 133, 147, 154; D14/240, 433;
D23/415, 417; D8/14; D24/107, 128,
D24/133, 140, 231, 232; 248/302-304;
439/350, 447, 459, 502, 582, 607.4,
439/607.53, 620, 660, 677, 680, 681, 682,
439/687, 694, 696, 844, 854, 855;
600/47, 103, 108, 164.13, 264, 585
CPC H01R 24/00; H01R 24/38; H01R 13/025;
H01R 13/62; H01B 7/04; H01B 11/1808;
H01B 7/2806; H01B 11/1826; H01B
13/22; H01B 9/024; H01B 9/04; A61B
2017/00323; A61B 2017/0225; A61B
1/3132; A61B 2017/12095; A61B
2018/144; D07B 2201/2014; A61F 2/89;
A61M 25/09; A63B 21/0552; D03D
15/02; D03D 1/0035; D04C 1/06; D04C
1/12

See application file for complete search history.

(56) **References Cited**

U.S. PATENT DOCUMENTS

4,131,757 A * 12/1978 Felkel H01B 7/226
138/130
4,131,758 A * 12/1978 Felkel H01B 7/226
138/130

OTHER PUBLICATIONS

Sewell Development Corporation, MOS Spring Lightning Cable, retrieved on Nov. 16, 2016, <https://sewelldirect.com/mos-spring-lightning-cable-black-1m>, 4 pages.*

Primary Examiner — Wan Laymon

Assistant Examiner — Mark Booker

(74) *Attorney, Agent, or Firm* — Shlesinger, Arkwright & Garvey LLP

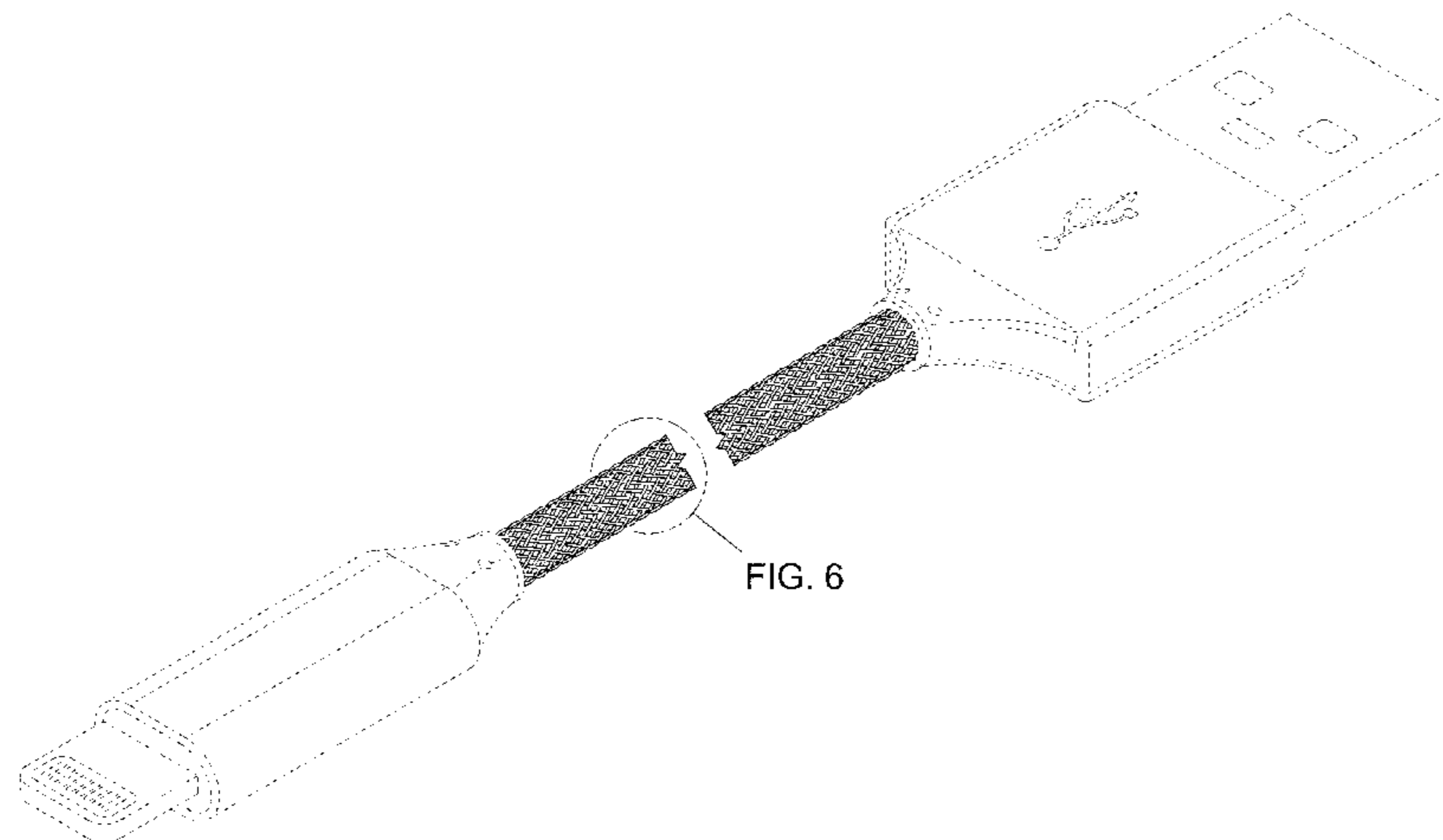
(57) **CLAIM**

The ornamental design for a cable braiding and strain relief, as shown and described.

DESCRIPTION

FIG. 1 is a perspective view of a cable braiding showing my new design;
FIG. 2 is a top view of FIG. 1;
FIG. 3 is a bottom view of FIG. 1;
FIG. 4 is right side view of FIG. 1;
FIG. 5 is left side view of FIG. 1;
FIG. 6 is an enlarged view of a section taken from FIG. 1 showing transparent braiding strands; and,
FIG. 7 is an enlarged view of a section taken from FIG. 2 showing transparent braiding strands.
The broken lines shown in the figures represent portions of the cable braiding and strain relief that form no part of the claimed design.
The cable braiding and strain relief is shown with a symbolic break in its length. The appearance of any portion of the article between the break lines forms no part of the claimed design.

1 Claim, 4 Drawing Sheets



(56)

References Cited

U.S. PATENT DOCUMENTS

5,755,704	A *	5/1998	Lunn	A61M 25/0012 600/585
5,956,844	A	9/1999	Alves et al.	
D422,560	S	4/2000	Lok	
D507,540	S	7/2005	Suckle	
D507,779	S	7/2005	Mazzullo et al.	
D516,032	S	2/2006	Suckle et al.	
D544,443	S	6/2007	Yang et al.	
D563,899	S	3/2008	Goetz et al.	
D577,340	S	9/2008	Henderson	
D588,546	S	3/2009	Lee et al.	
D602,871	S	10/2009	Zhao et al.	
D604,251	S	11/2009	Hwang	
D612,809	S	3/2010	Zhao et al.	
D620,449	S	7/2010	Lee et al.	
D635,931	S	4/2011	Amidon	
D647,862	S *	11/2011	Sieff	D13/153
D695,228	S	12/2013	Halleck et al.	
D763,197	S *	8/2016	Beck	D13/153
2011/0218602	A1 *	9/2011	Kampa	A61N 1/05 607/116
2013/0170038	A1	7/2013	Sheng	
2016/0128853	A1 *	5/2016	Brady	A61F 2/90 623/1.15

* cited by examiner

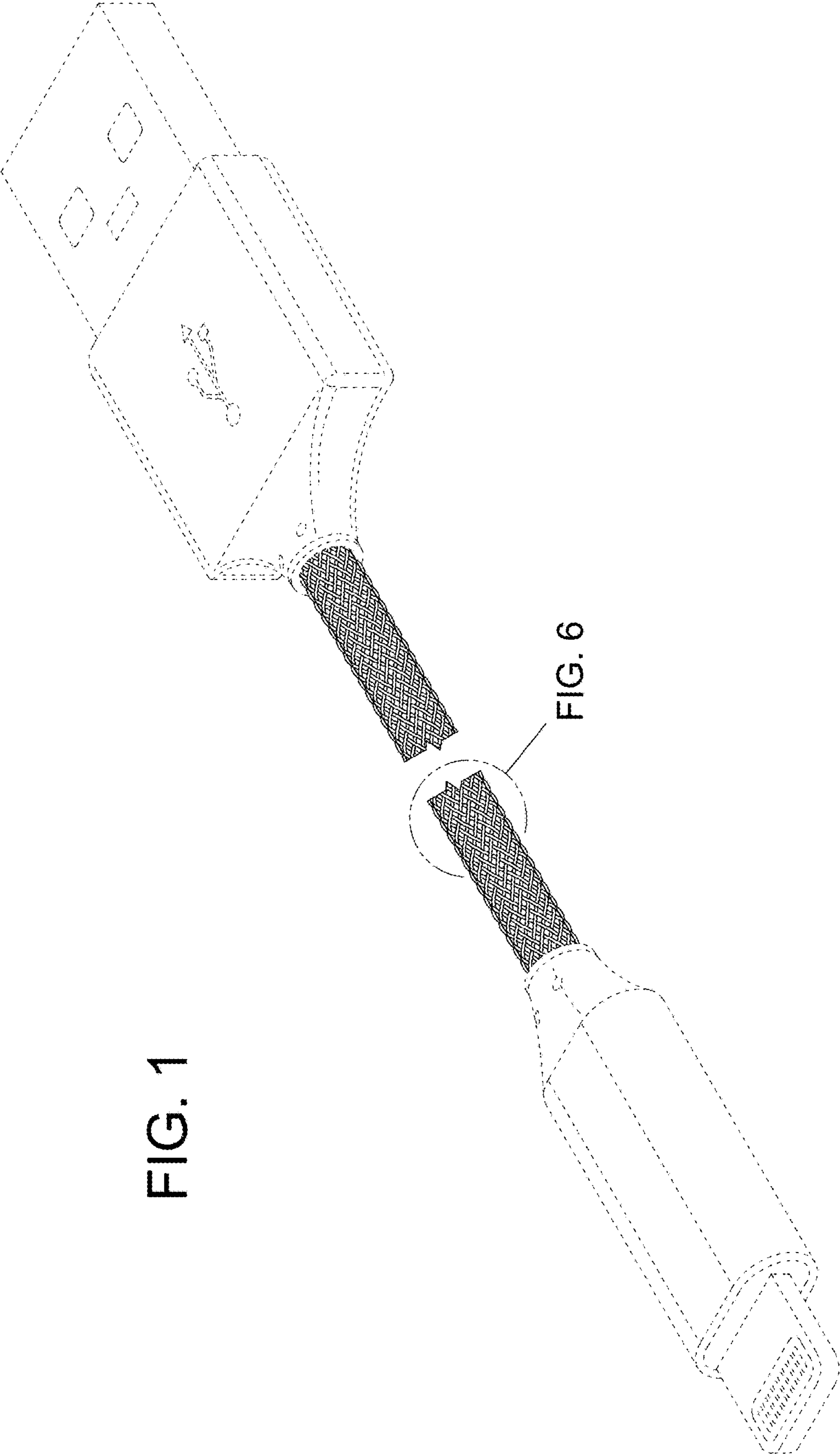


FIG. 1

FIG. 6

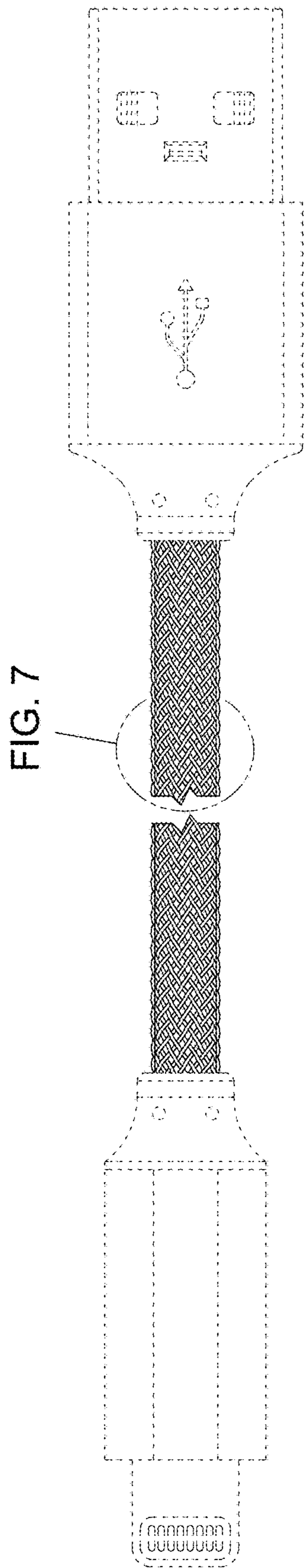


FIG. 2

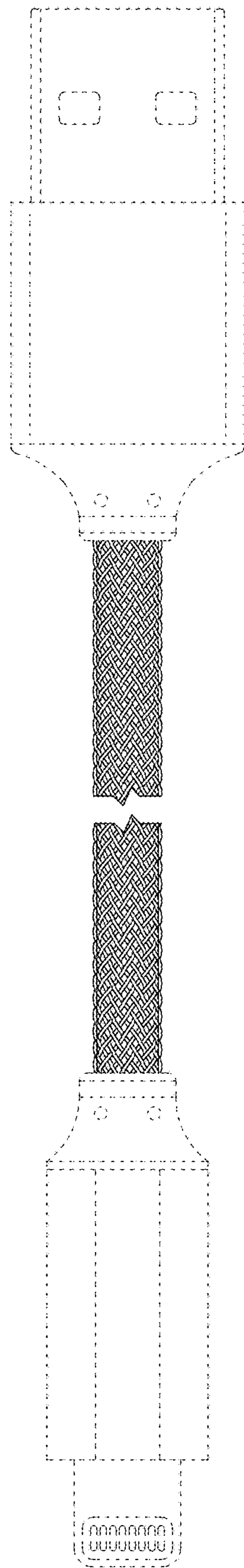


FIG. 3

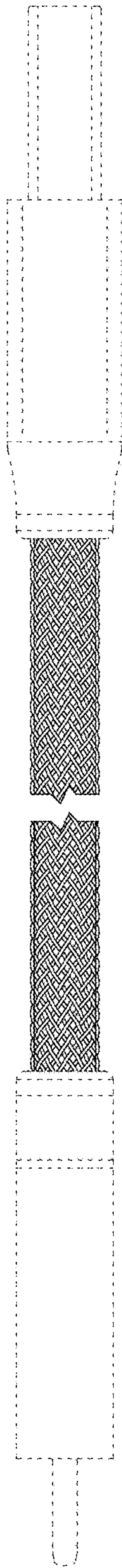


FIG. 4

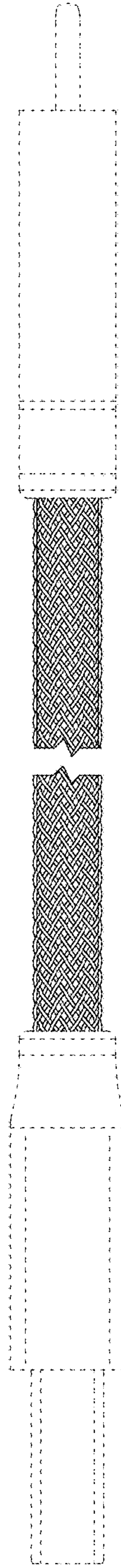


FIG. 5

FIG. 6

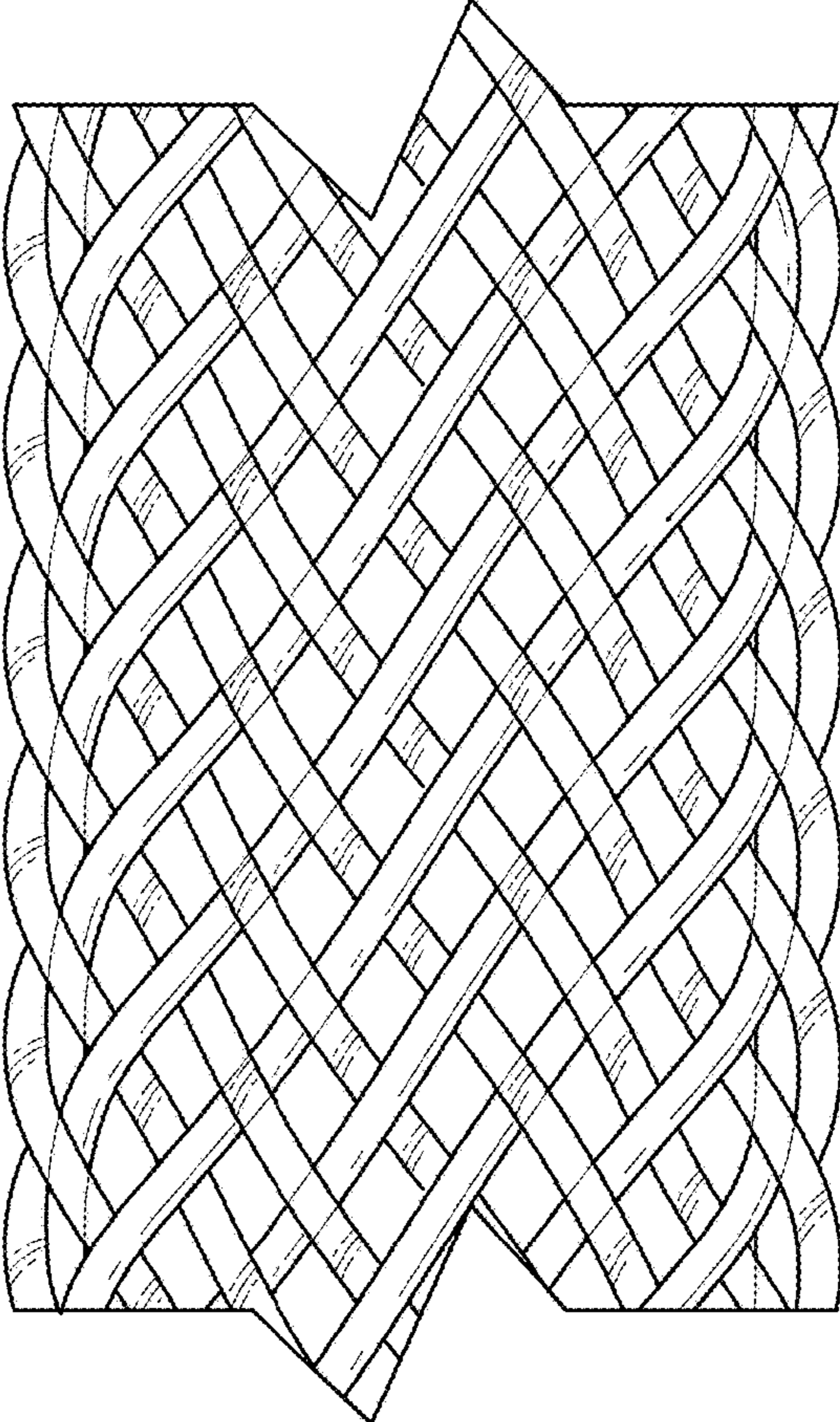
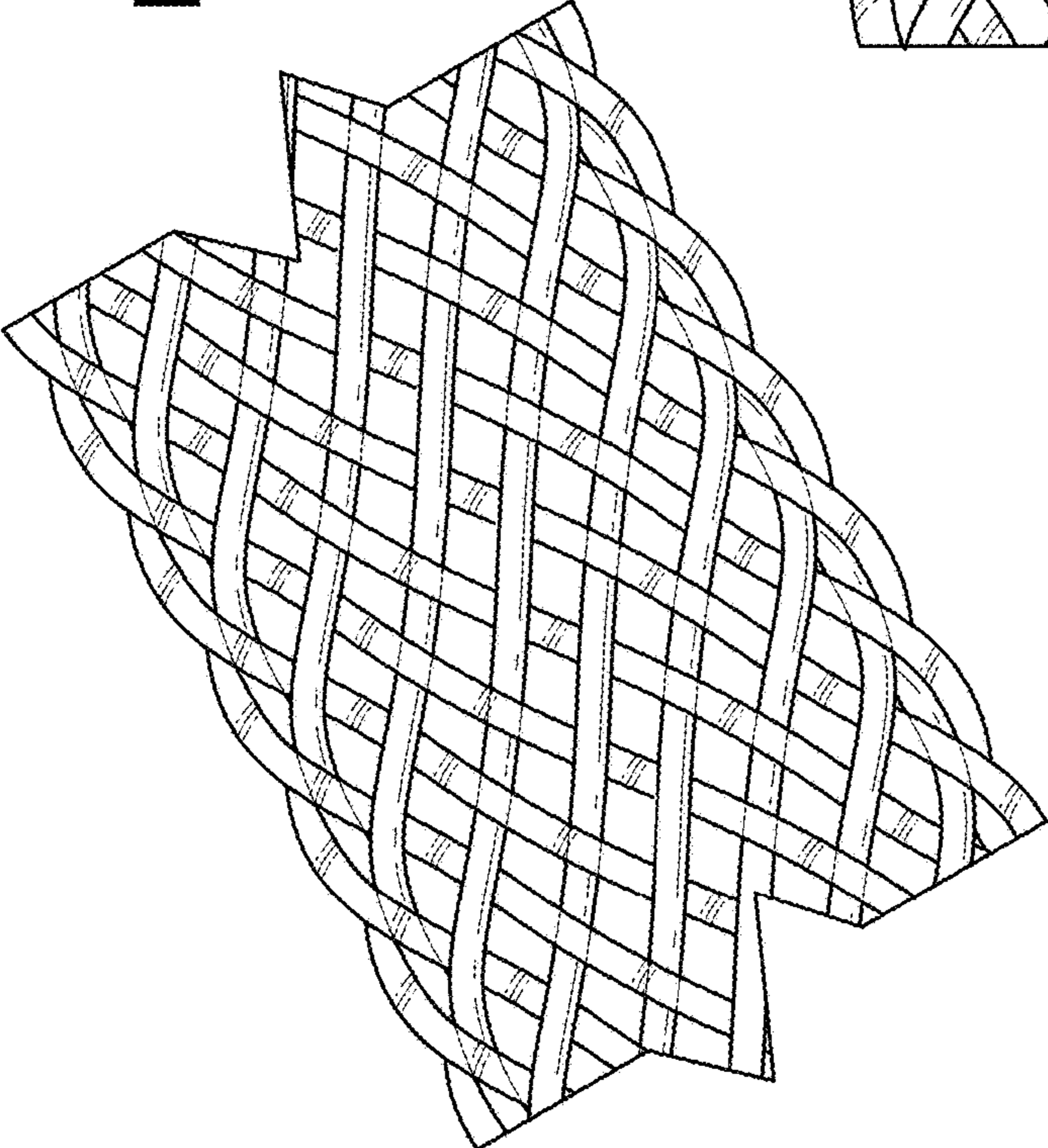


FIG. 7