



US00D784266S

(12) **United States Design Patent** (10) **Patent No.:** **US D784,266 S**  
**Leis et al.** (45) **Date of Patent:** **\*\* Apr. 18, 2017**

(54) **LUG BLOCK OF A LINE STAB UNIT**

(56) **References Cited**

(71) Applicant: **ROCKWELL AUTOMATION TECHNOLOGIES, INC.**, Mayfield Heights, OH (US)

U.S. PATENT DOCUMENTS

(72) Inventors: **Kenneth K. Leis**, Wukesha, WI (US); **Dean Thomas Meyer**, Oak Creek, WI (US); **Paul T. Krause**, Fredonia, WI (US); **Troy M. Bellows**, Racine, WI (US); **Thomas J. Becker**, Milwaukee, WI (US)

4,093,970 A	6/1978	M'Sadoques et al.	
4,214,806 A	7/1980	Kraft	
D268,751 S	4/1983	Froh	
D289,632 S *	5/1987	Chartrain .....	D13/120
5,107,396 A	4/1992	Rosen et al.	
D325,899 S	5/1992	Krokaugger	
5,190,485 A	3/1993	Ransdell	
D361,750 S	8/1995	Ansley	
D411,167 S *	6/1999	Liang .....	D13/120
6,084,188 A	7/2000	Mueller et al.	
D451,071 S *	11/2001	Liang .....	D13/120
6,437,268 B1	8/2002	Etscheidt et al.	
6,529,112 B1	3/2003	Leone	
6,722,926 B2	4/2004	Chevassus-More	
D516,521 S	3/2006	Yao et al.	
7,772,723 B1	8/2010	Flegel	
D719,514 S *	12/2014	Andresen .....	D13/151

(73) Assignee: **ROCKWELL AUTOMATION TECHNOLOGIES, INC.**, Mayfield Heights, OH (US)

(\*\*) Term: **15 Years**

(21) Appl. No.: **29/550,608**

(22) Filed: **Jan. 5, 2016**

*Primary Examiner* — Thomas Johannes  
*Assistant Examiner* — Shawn T Gingrich  
(74) *Attorney, Agent, or Firm* — Fletcher Yoder, P.C.

(Continued)

**Related U.S. Application Data**

(60) Division of application No. 29/511,171, filed on Dec. 8, 2014, now Pat. No. Des. 749,520, which is a continuation of application No. 14/049,925, filed on Oct. 9, 2013, now Pat. No. 9,502,782.

(51) **LOC (10) Cl.** ..... **13-03**

(52) **U.S. Cl.**  
USPC ..... **D13/148; D13/118**

(58) **Field of Classification Search**  
USPC ..... D13/101, 118, 122–125, 133, 148, 149, D13/154, 158–161, 184, 199, 120, 151  
CPC ... H01R 9/22; H01R 4/24; H01R 4/18; H01R 4/36; H01R 4/302; H01R 13/11; H01R 13/18; H01R 43/0484; H01H 47/00; H01H 71/08; H01H 4/60

See application file for complete search history.

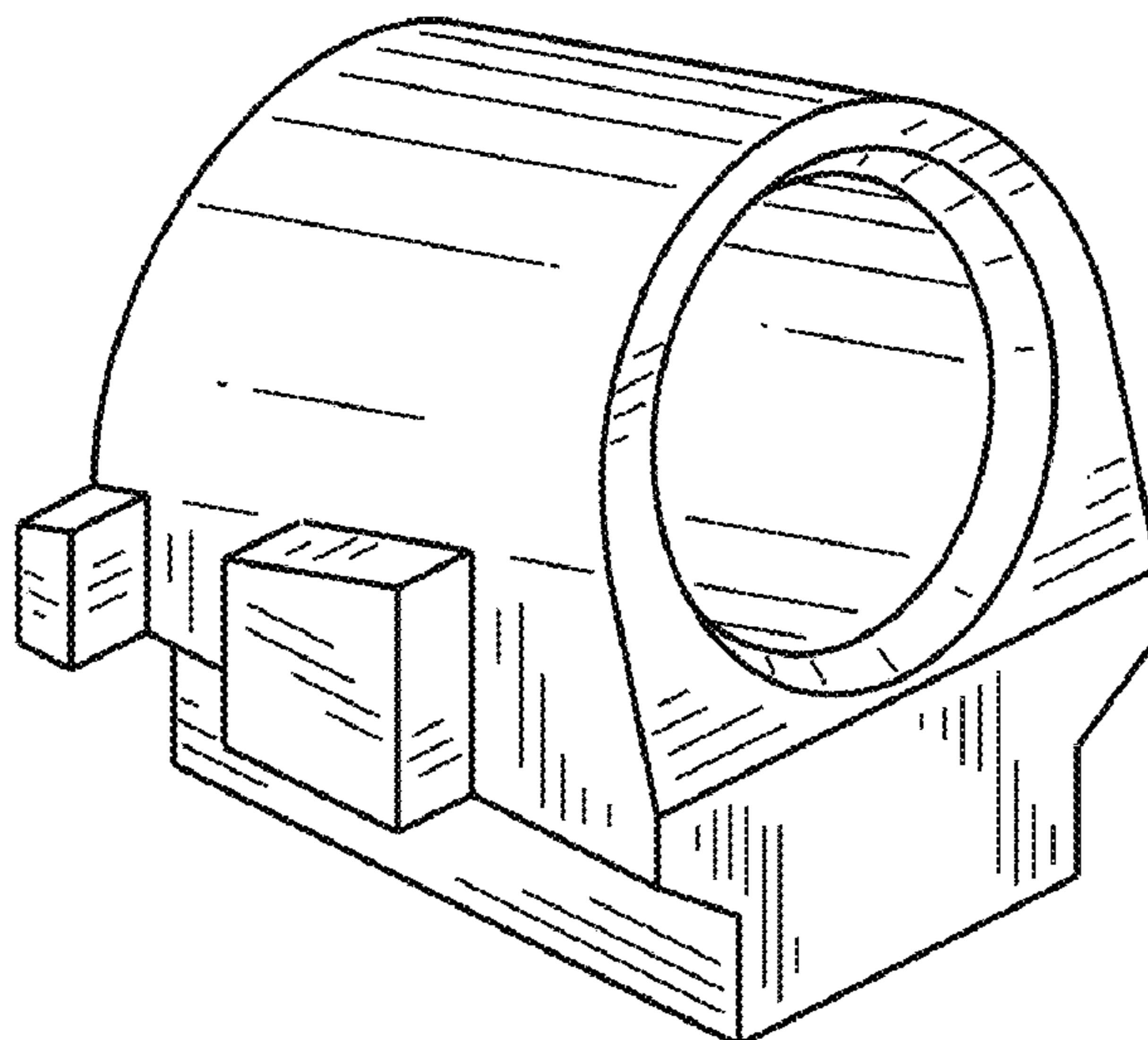
(57) **CLAIM**

The ornamental design for a lug block of a line stab unit, as shown and described.

**DESCRIPTION**

FIG. 1 is a front perspective view of a lug block of a line stab unit showing our new design in accordance with present embodiments;  
FIG. 2 is a left side view thereof;  
FIG. 3 is a right side view thereof;  
FIG. 4 is a front view thereof;  
FIG. 5 is a back view thereof;  
FIG. 6 is a top plan view thereof; and,  
FIG. 7 is a bottom plan view thereof.

**1 Claim, 2 Drawing Sheets**



(56)

**References Cited**

U.S. PATENT DOCUMENTS

D721,333	S	1/2015	Leis et al.	
D749,520	S	* 2/2016	Leis .....	H01R 4/18 D13/118
D771,569	S	* 11/2016	Smith .....	D13/151
2008/0287011	A1	11/2008	Piovesan	
2009/0251274	A1	10/2009	Pavlovic et al.	
2011/0076901	A1	3/2011	Glick et al.	
2012/0064746	A1	3/2012	Bellows et al.	
2013/0273786	A1	10/2013	Ahangar et al.	
2015/0099407	A1	4/2015	Leis et al.	

\* cited by examiner

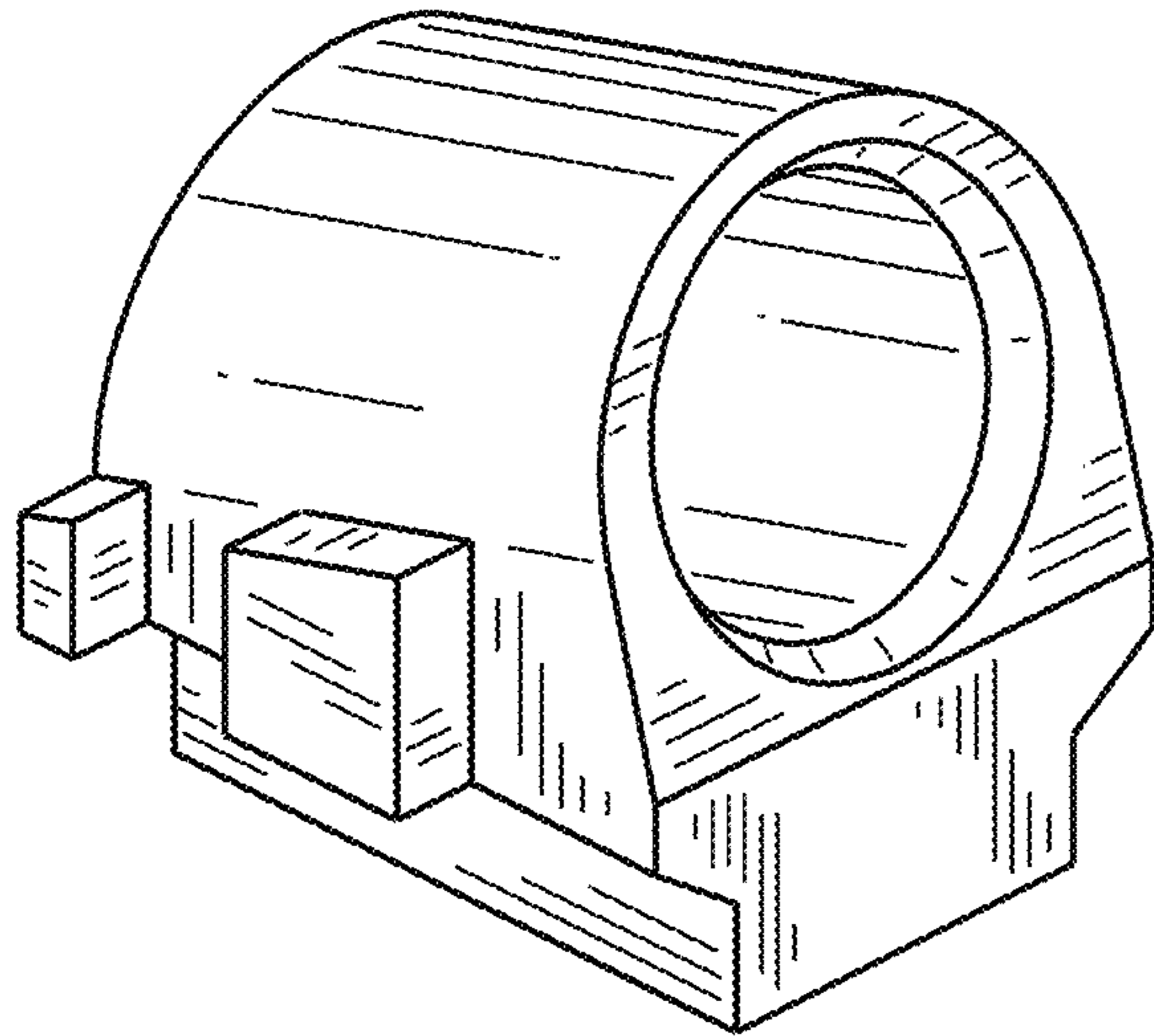


FIG. 1

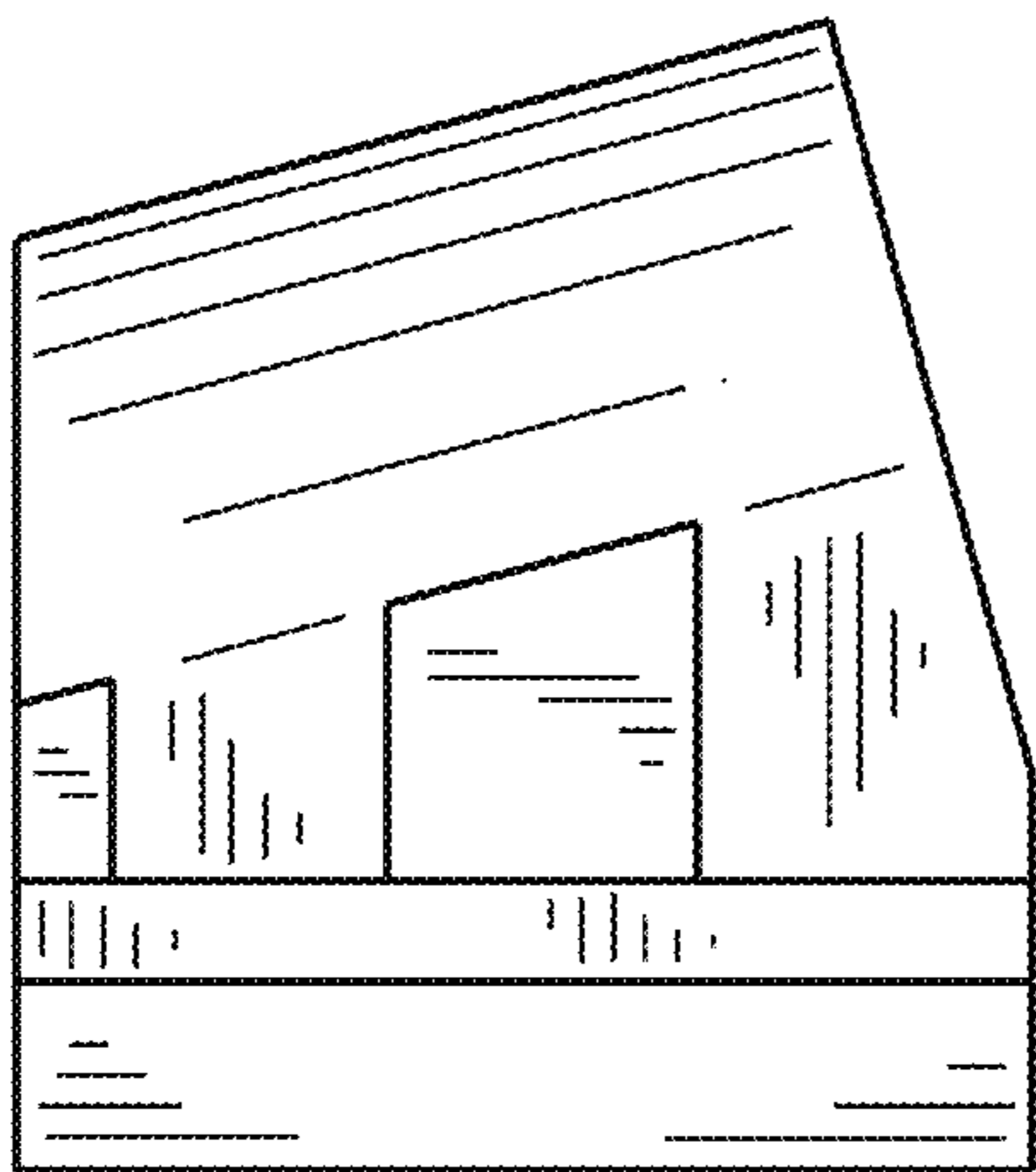


FIG. 2

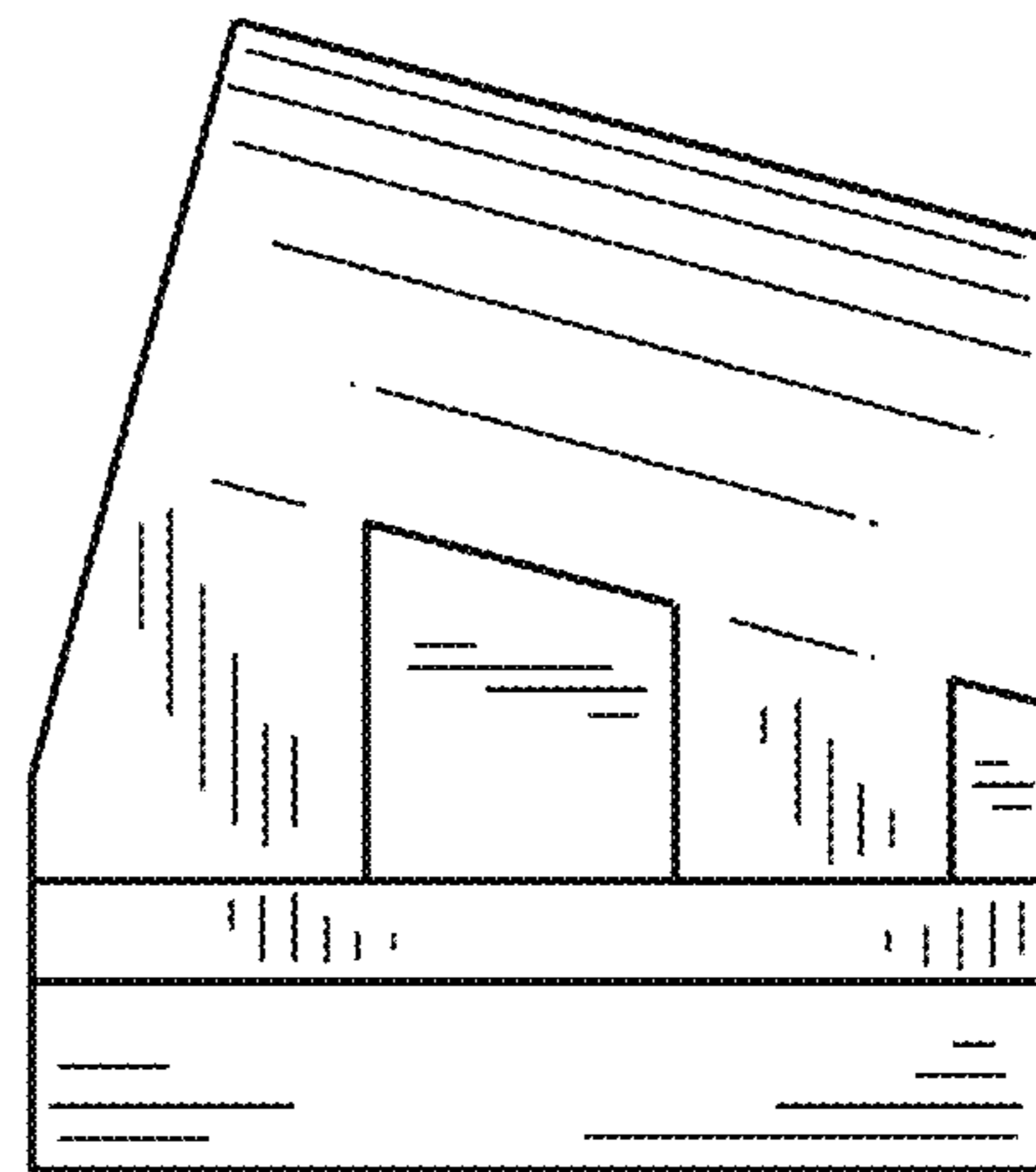


FIG. 3

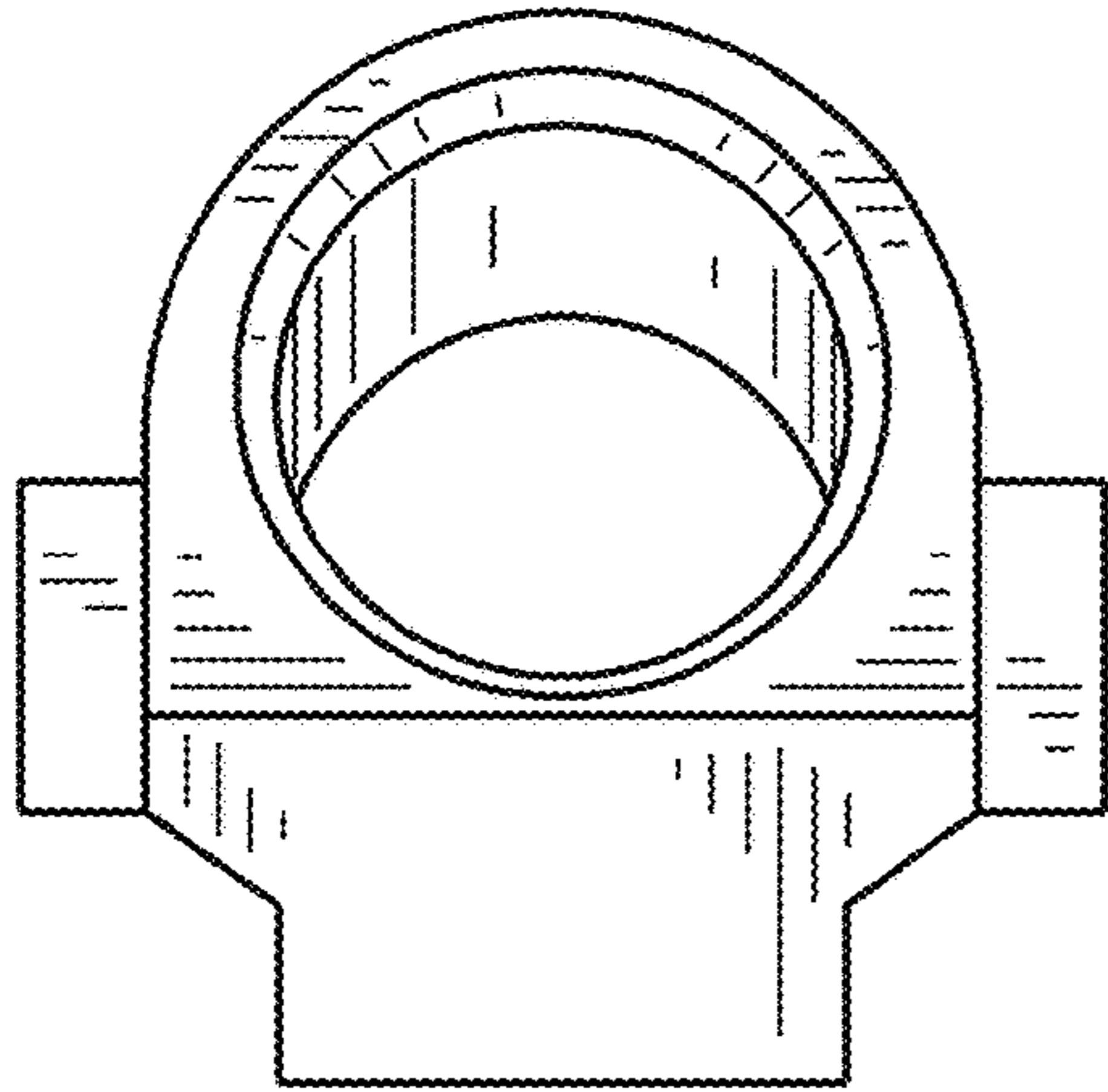


FIG. 4

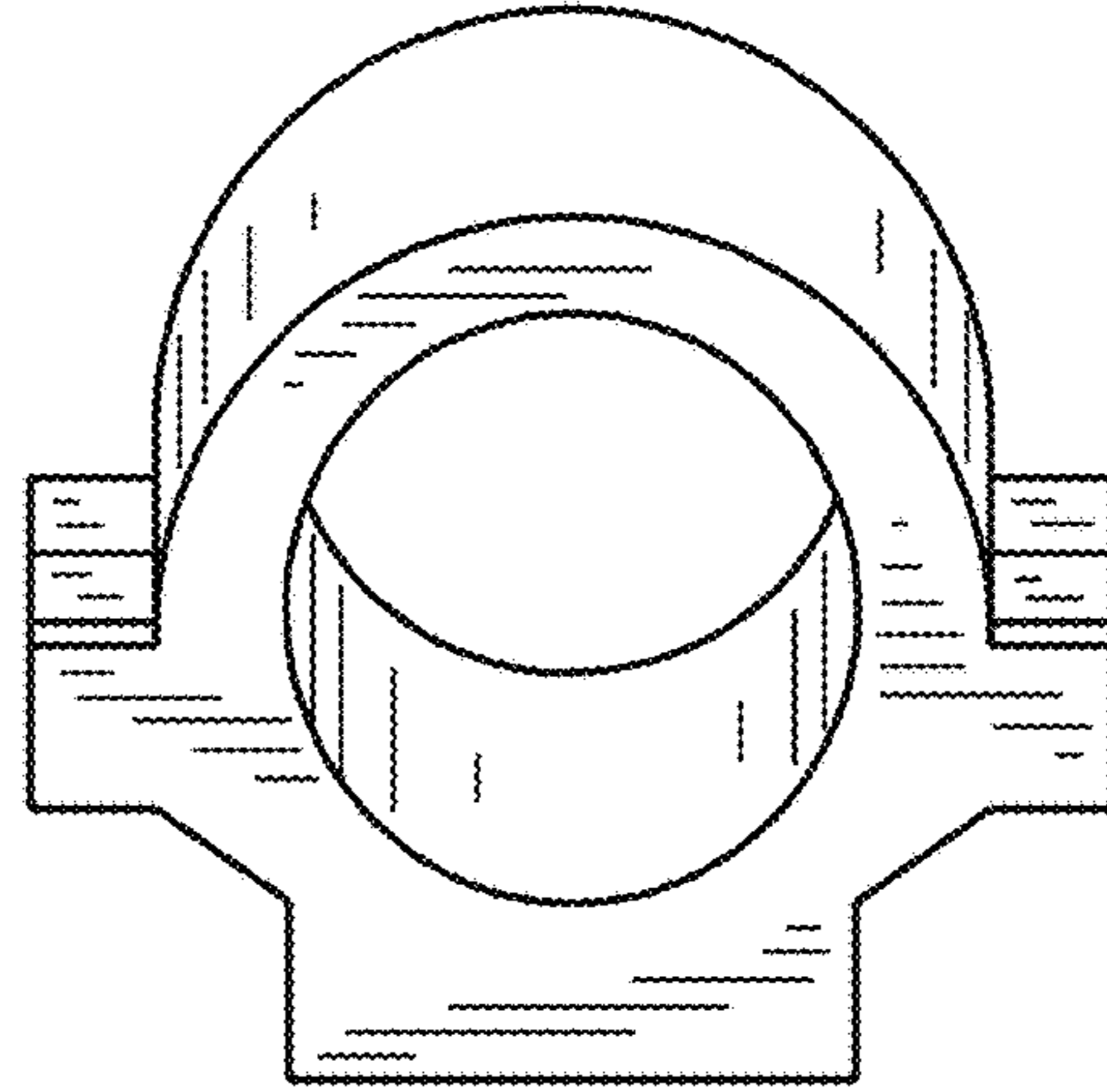


FIG. 5

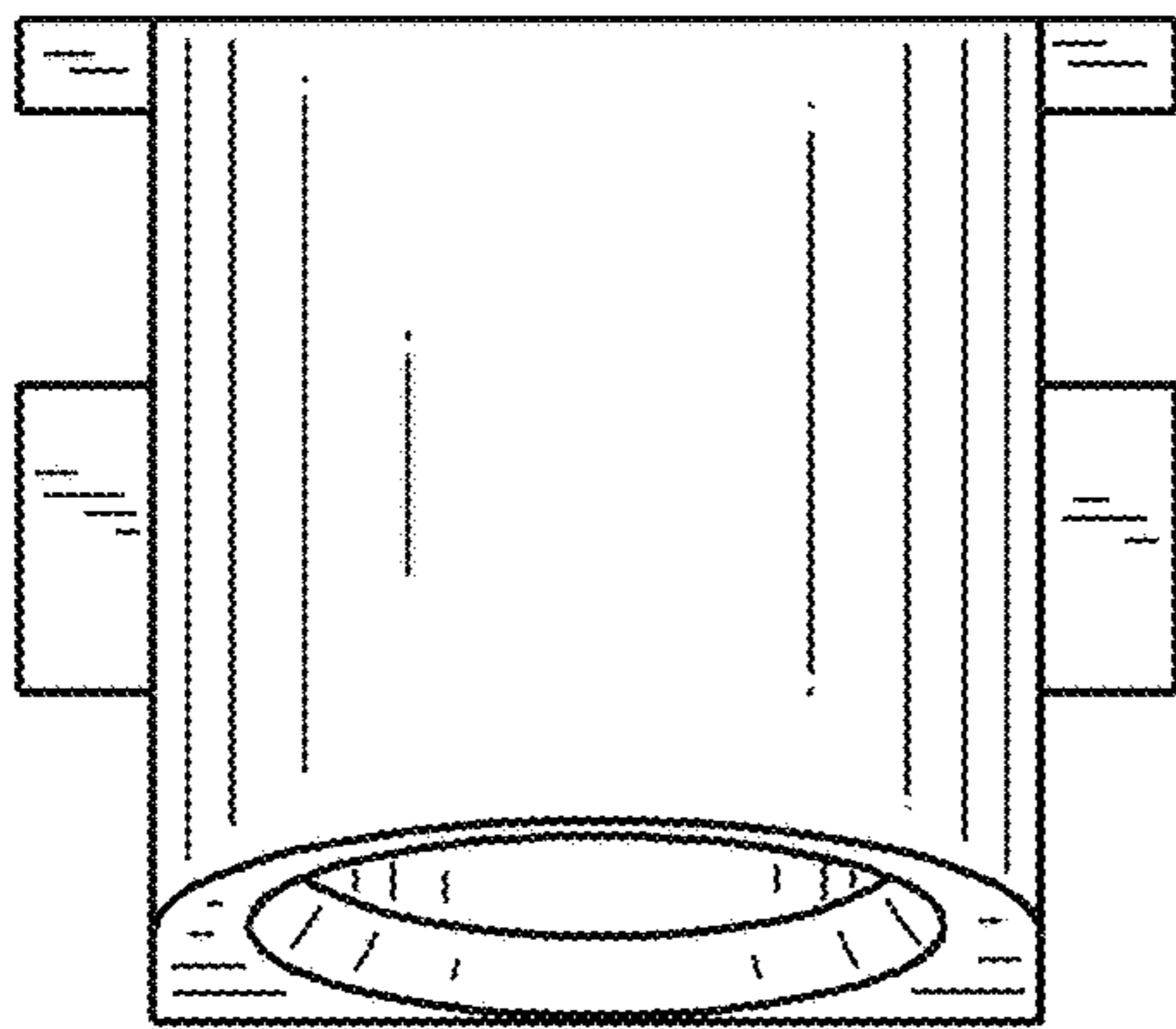


FIG. 6

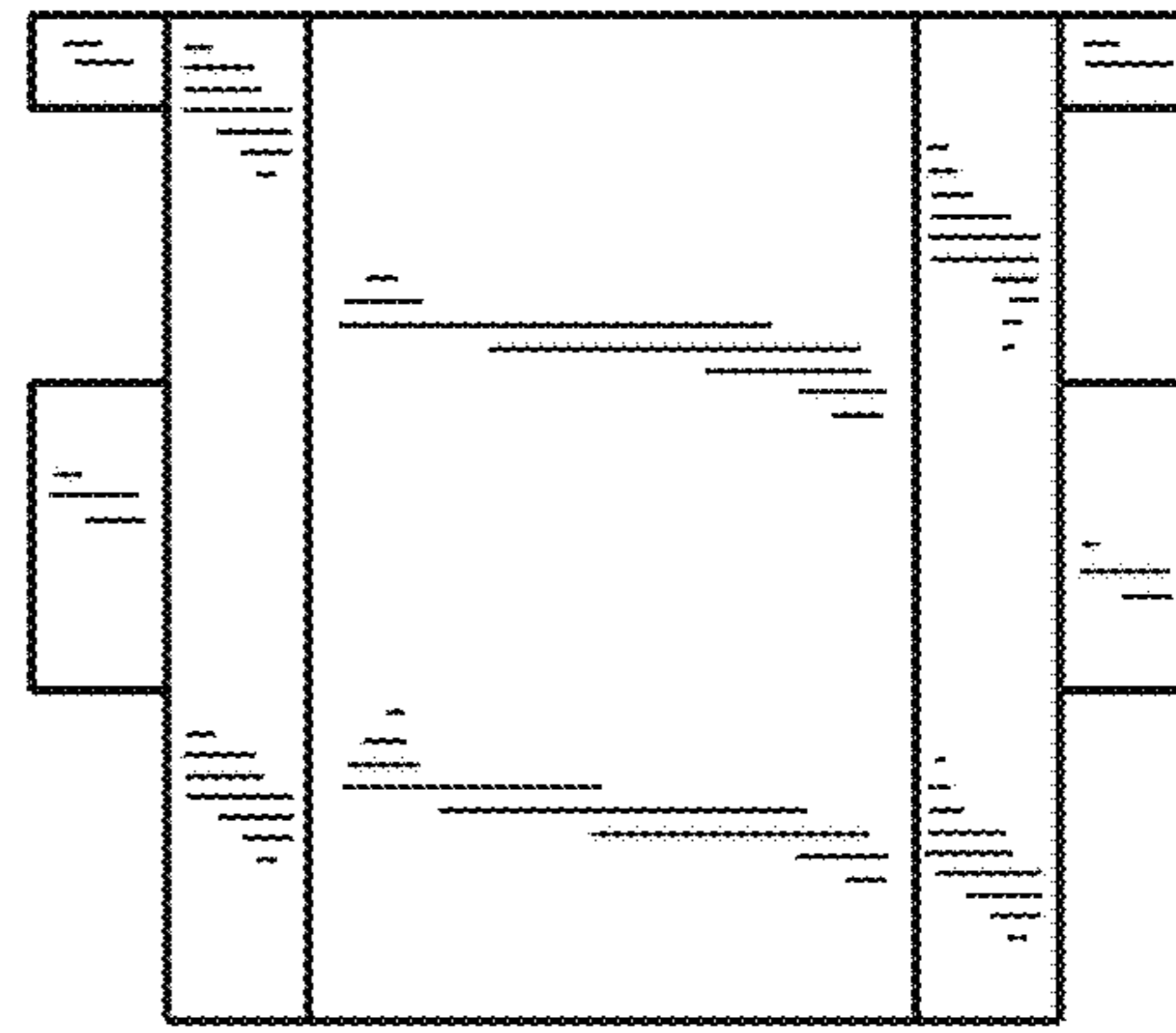


FIG. 7