

US00D784265S

(12) **United States Design Patent** (10) **Patent No.:** **US D784,265 S**
Perlaguri et al. (45) **Date of Patent:** **** Apr. 18, 2017**

(54) **BUSBAR**

43/00; H01M 5/02; H02K 5/22; H02K 5/25; H02K 3/18; H02K 5/52

(71) Applicant: **GENERAL ELECTRIC COMPANY**, Schenectady, NY (US)

See application file for complete search history.

(72) Inventors: **Shreenath Shekar Perlaguri**, Bangalore (IN); **Sarit Ratadiya**, Bangalore (IN); **Jacob Alan Hubbell**, Erie, PA (US); **Mark Allen Murphy**, Erie, PA (US); **Jain Raj Vettuvazhy Puthenpurayil**, Bangalore (IN)

(56) **References Cited**

U.S. PATENT DOCUMENTS

D760,658 S * 7/2016 Perlaguri D13/147

* cited by examiner

Primary Examiner — Daniel Bui

(73) Assignee: **General Electric Company**, Schenectady, NY (US)

(74) *Attorney, Agent, or Firm* — John A. Kramer; Global Patent Operation

(**) Term: **15 Years**

(57) **CLAIM**

The ornamental design for a busbar, as shown and described.

(21) Appl. No.: **29/565,997**

DESCRIPTION

(22) Filed: **May 26, 2016**

FIG. 1 is a front perspective view of a busbar showing our new design;

Related U.S. Application Data

(62) Division of application No. 29/524,303, filed on Apr. 20, 2015, now Pat. No. Des. 760,658.

FIG. 2 is a front view thereof;

(51) **LOC (10) Cl.** **13-03**

FIG. 3 is a rear view thereof;

(52) **U.S. Cl.**

FIG. 4 is a first end view thereof;

USPC **D13/147**; D13/154

FIG. 5 is a second end view thereof;

(58) **Field of Classification Search**

USPC D13/123, 133, 146, 147, 154, 184, 199
CPC . H01R 9/24; H01R 9/26; H01R 12/00; H01R 25/14; H01R 25/16; H01R 13/46; H01R 24/76; H01M 10/02; H01M 2/30; H01M

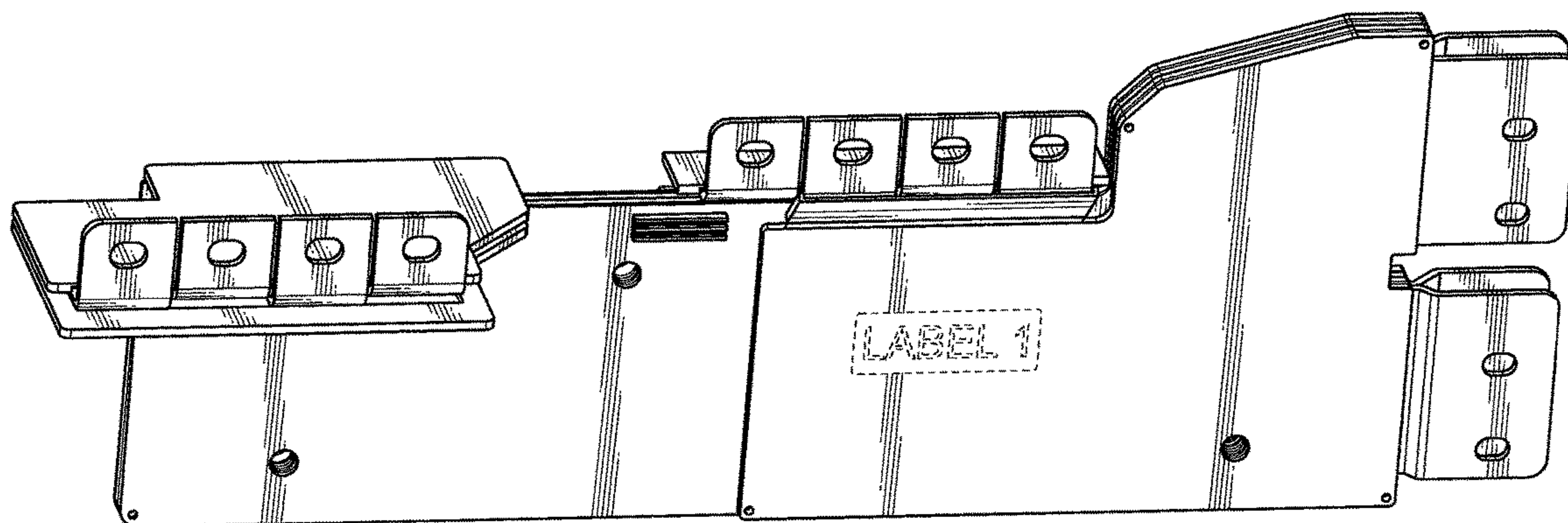
FIG. 6 is a first side view thereof;

FIG. 7 is a second side view thereof; and,

FIG. 8 is a rear perspective view thereof.

The broken line portion of the figure drawings is included to show unclaimed subject matter only and forms no part of the claimed designs.

1 Claim, 6 Drawing Sheets



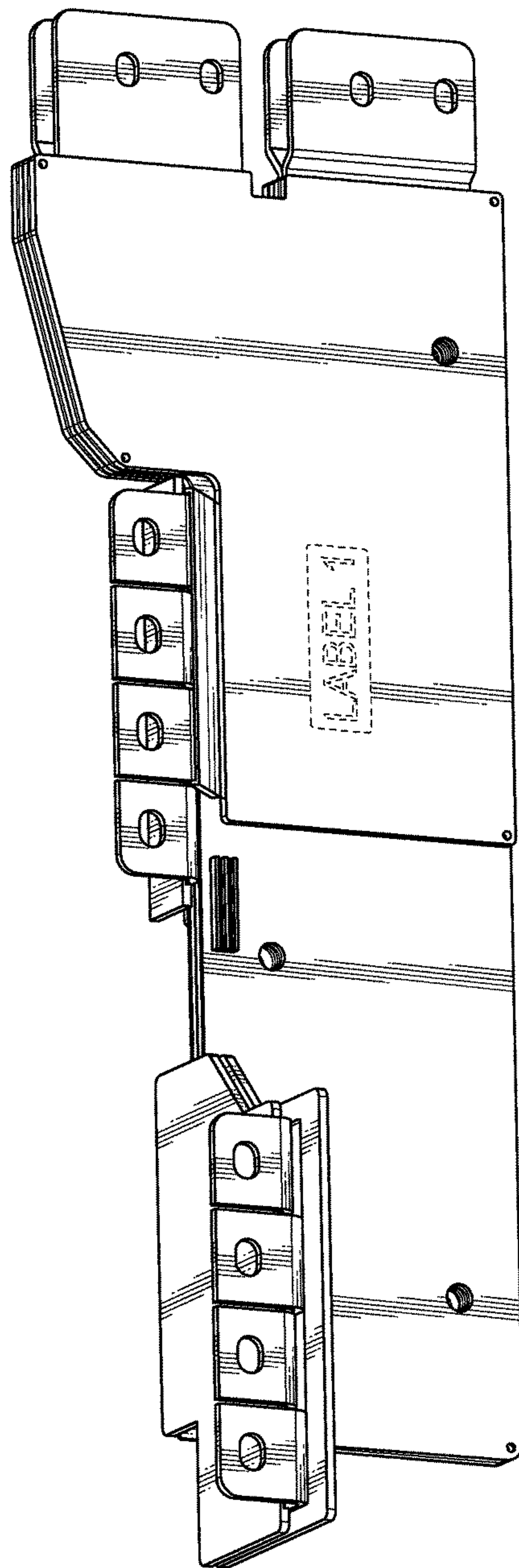


FIG. 1

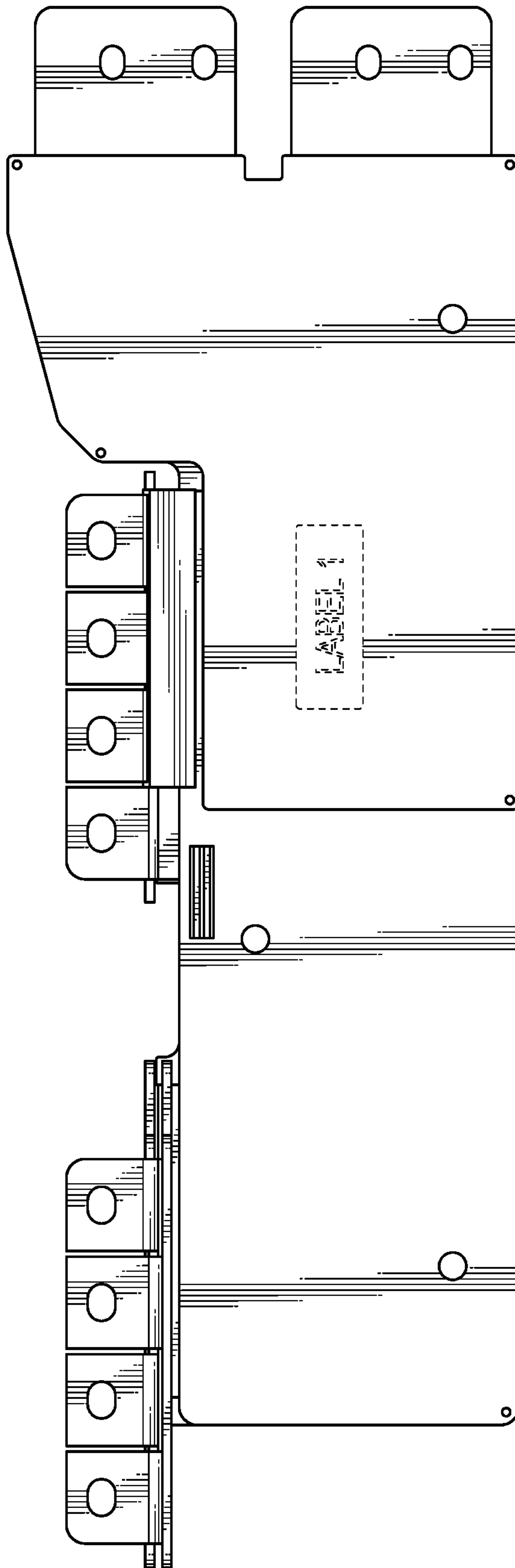


FIG. 2

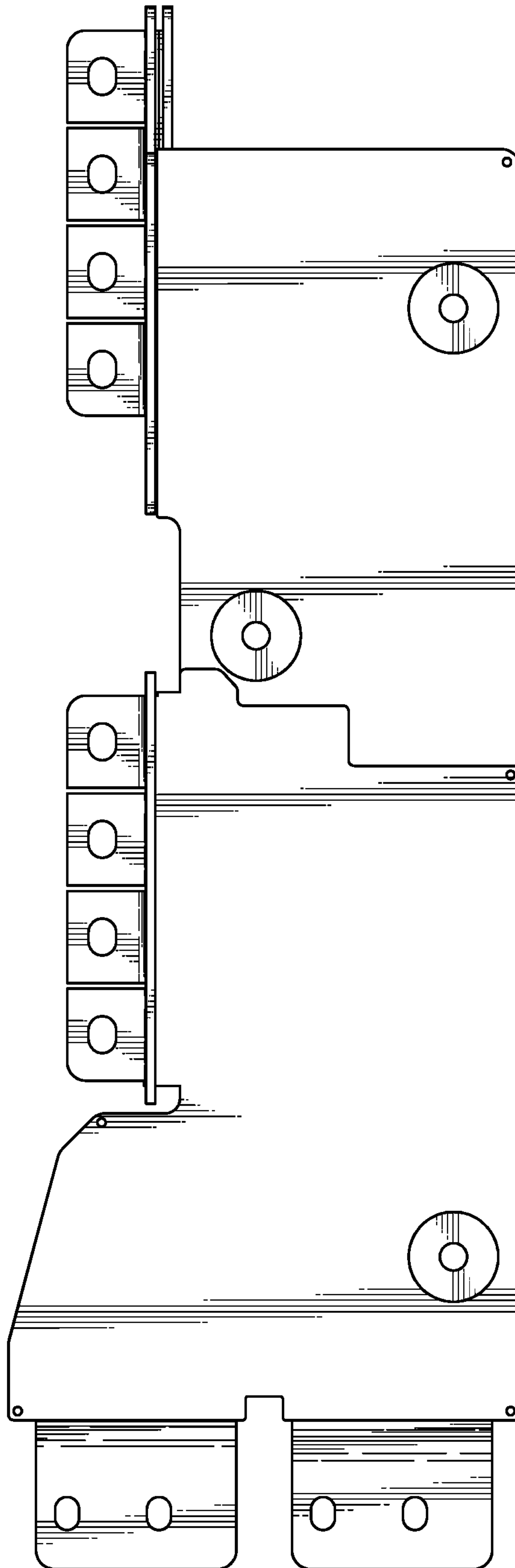


FIG. 3

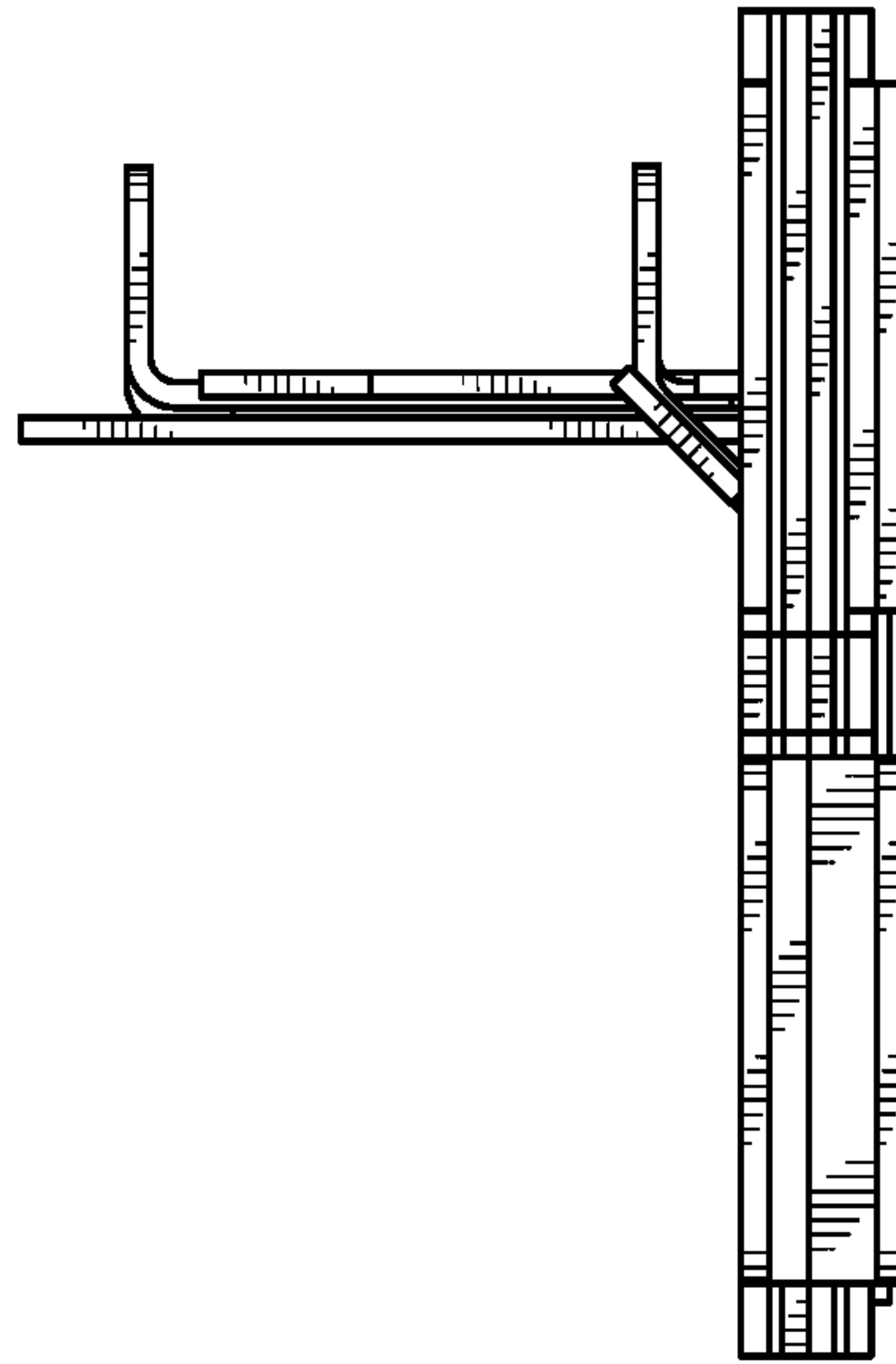


FIG. 4

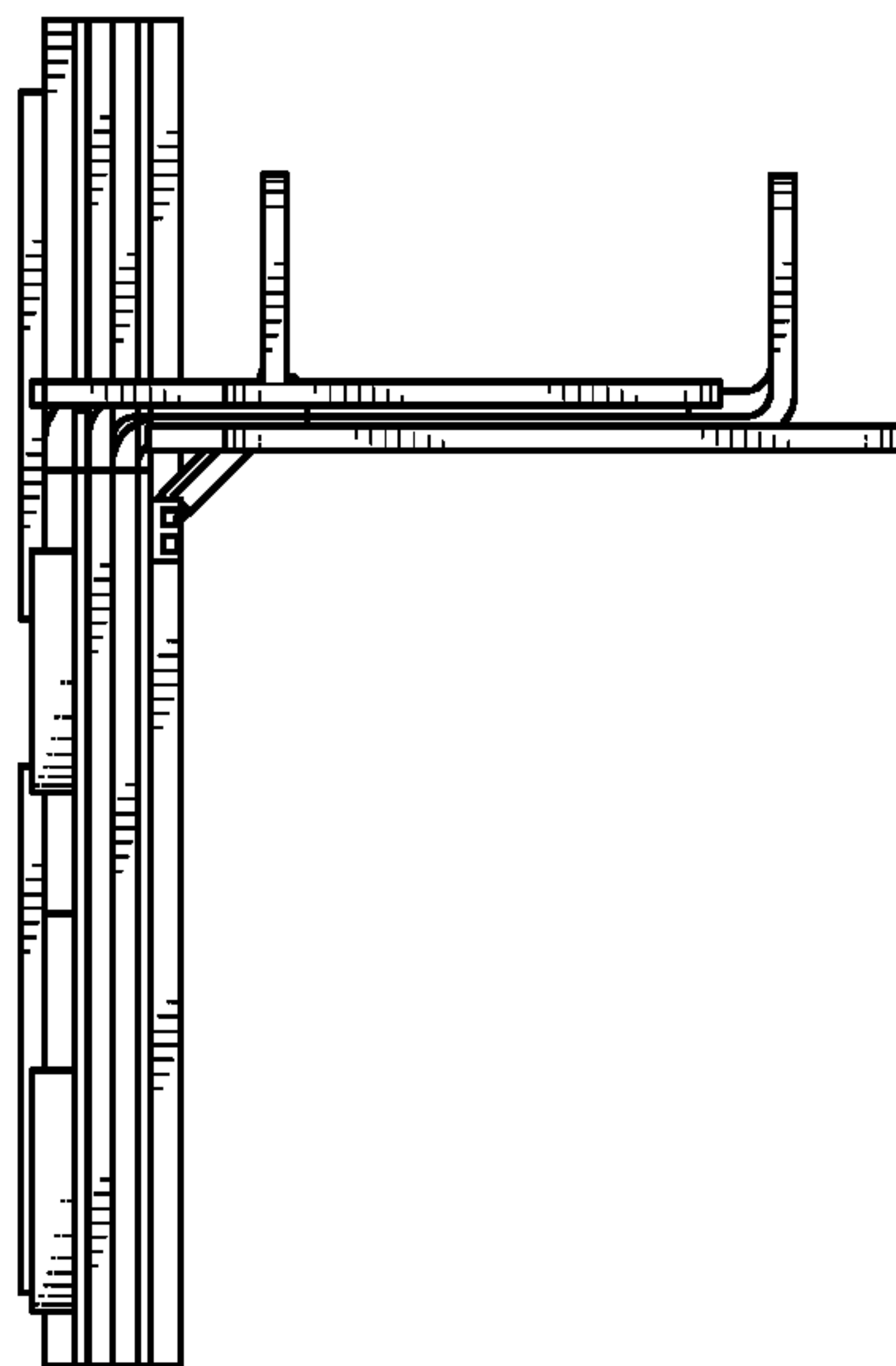


FIG. 5

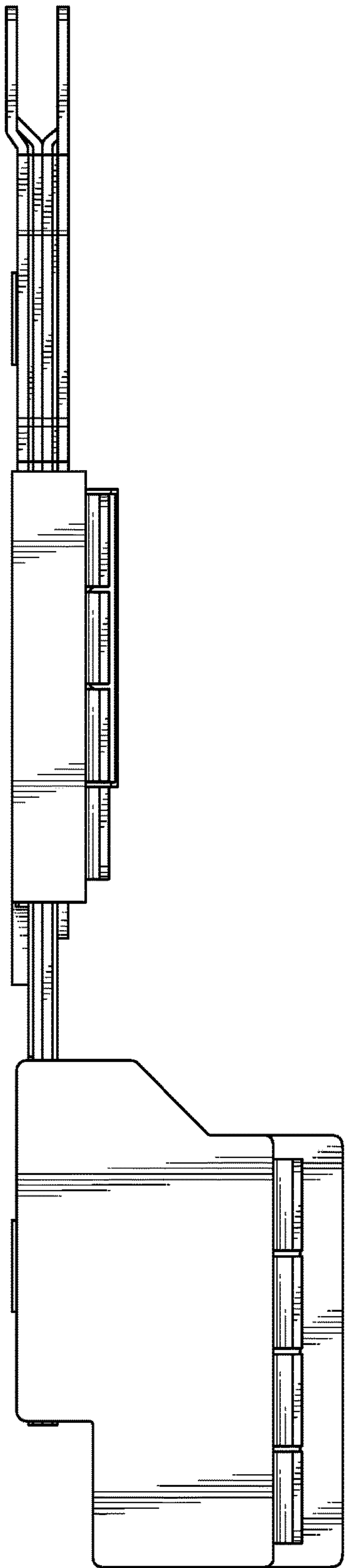


FIG. 6



FIG. 7

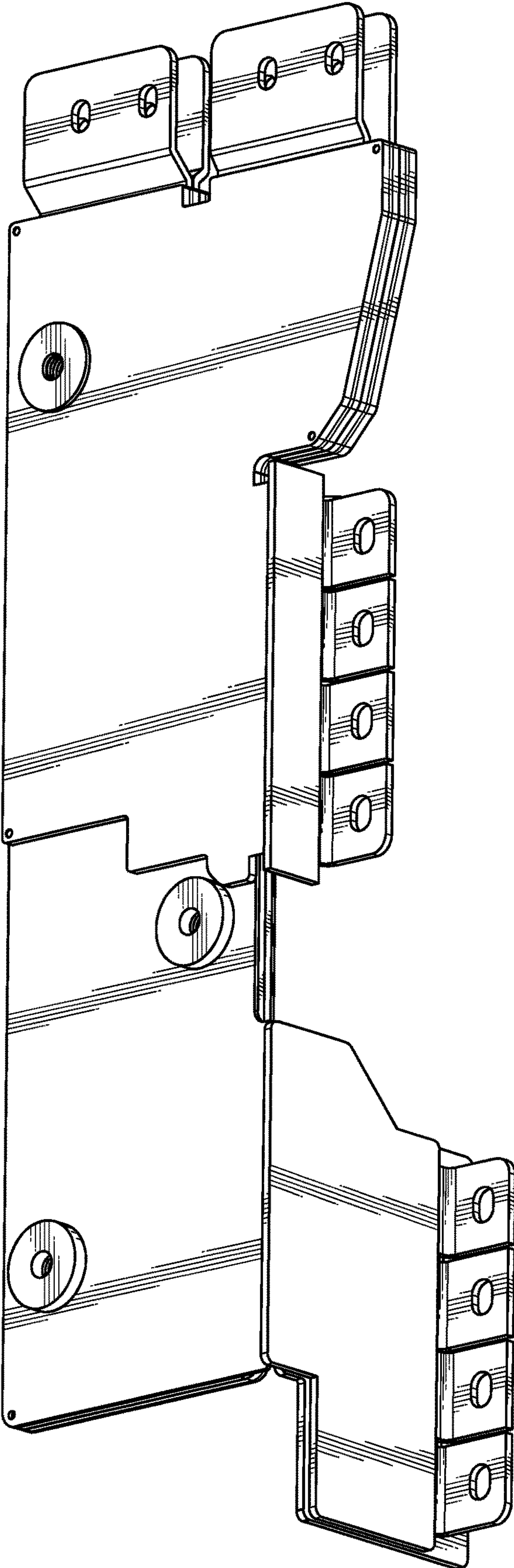


FIG. 8