



US00D784263S

(12) **United States Design Patent**
Xu

(10) **Patent No.:** **US D784,263 S**
(45) **Date of Patent:** **** Apr. 18, 2017**

(54) **PLUG**
(71) Applicant: **Guangdong BESTEK E-commerce Co., Ltd.**, Shenzhen (CN)
(72) Inventor: **Xinhua Xu**, Shenzhen (CN)
(73) Assignee: **GUANGDONG BESTEK E-COMMERCE CO., LTD.**, Shenzhen (CN)
(**) Term: **15 Years**

D592,139 S 5/2009 Wu
D610,093 S * 2/2010 Victor D13/138.2
D635,919 S * 4/2011 Ahola D13/138.1
D636,336 S * 4/2011 Clark D13/137.2
D663,687 S * 7/2012 Liu D13/108
D670,248 S 11/2012 Chen
D683,314 S * 5/2013 Andre D13/108
D697,481 S * 1/2014 Akana D13/138.1
D745,460 S * 12/2015 Zaslavsky D13/138.1
RE46,006 E * 5/2016 Uekihara D13/110
D760,167 S * 6/2016 Kusano D13/138.1
D763,794 S * 8/2016 Akana D13/137.1
2009/0289596 A1 * 11/2009 McGinley H01R 31/065
320/111

(21) Appl. No.: **29/583,914**
(22) Filed: **Nov. 10, 2016**
(51) **LOC (10) Cl.** **13-03**
(52) **U.S. Cl.**
USPC **D13/138.2**
(58) **Field of Classification Search**
USPC ... D13/138.2, 137.1, 138.1, 110, 108, 137.2,
D13/146; 439/427, 680; 320/111
CPC H01R 4/2404; H01R 13/64; H01R 31/065
See application file for complete search history.

* cited by examiner

Primary Examiner — Rhea Shields

(56) **References Cited**

U.S. PATENT DOCUMENTS

2,675,531 A * 4/1954 Sams H01R 4/2404
439/427
D447,118 S 8/2001 Lee
D494,138 S * 8/2004 Adams D13/138.1
D543,148 S * 5/2007 Suckle D13/146
7,311,558 B2 * 12/2007 Adams H01R 13/64
439/680
D585,378 S * 1/2009 Haber D13/138.2

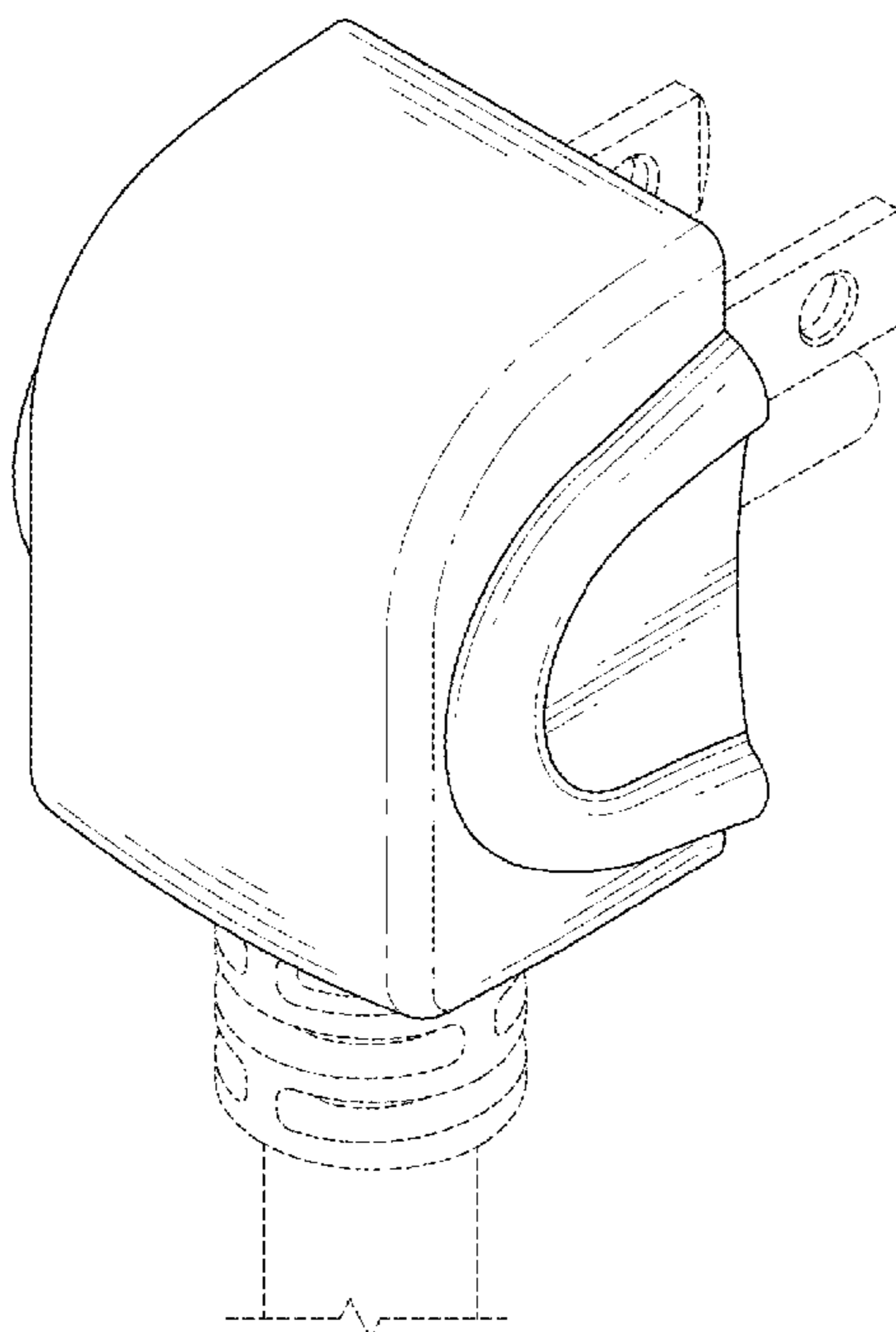
(57) **CLAIM**

The ornamental design for a plug, as shown and described.

DESCRIPTION

FIG. 1 is a perspective view of the plug showing my new design;
FIG. 2 is a front elevational view thereof;
FIG. 3 is a rear elevational view thereof;
FIG. 4 is a left side elevational view thereof;
FIG. 5 is a right side elevational view thereof;
FIG. 6 is a top plan view thereof; and,
FIG. 7 is a bottom plan view thereof.
The broken lines are for the purposes of illustrating portions of the plug and form no part of the claimed design.

1 Claim, 7 Drawing Sheets



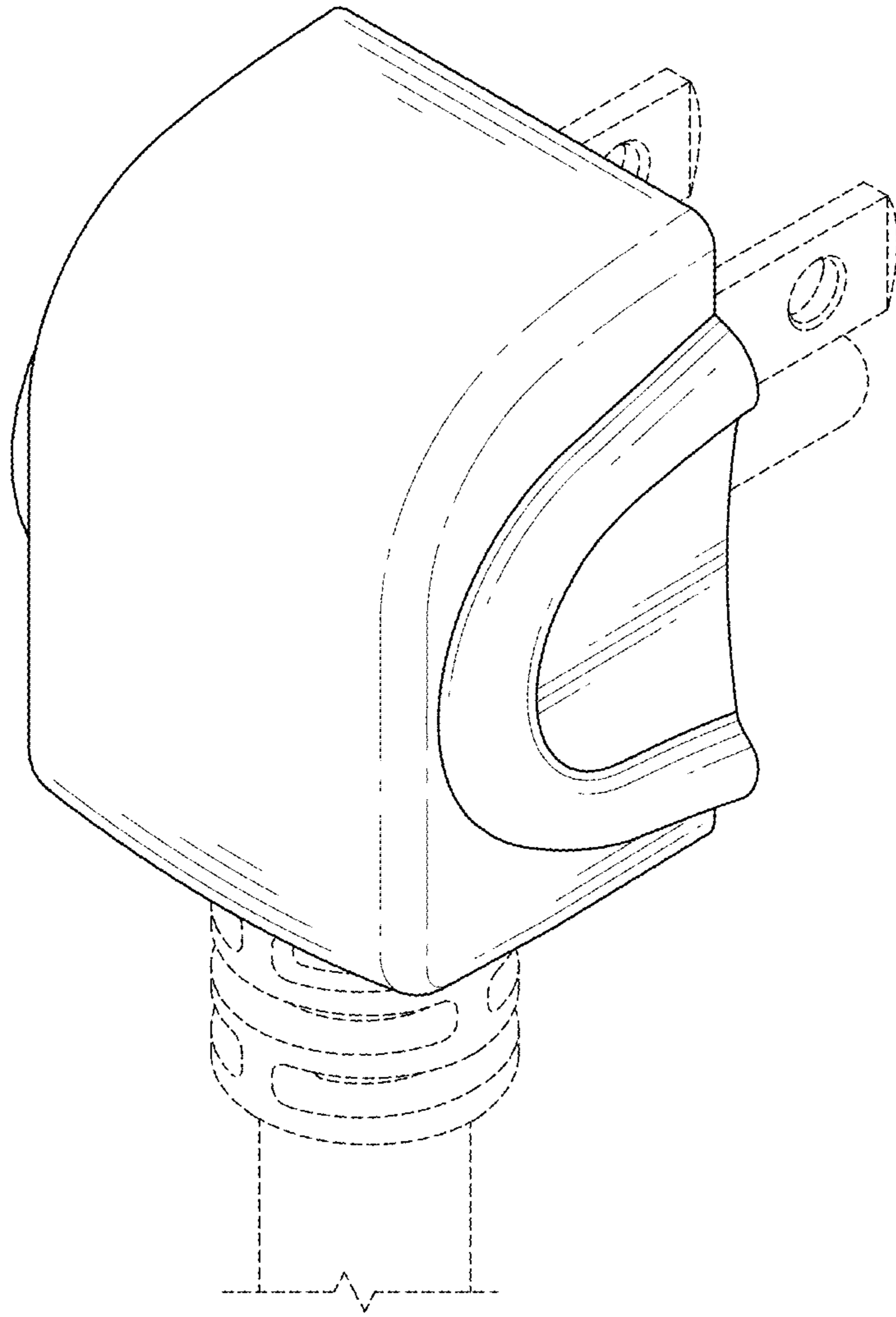


FIG. 1

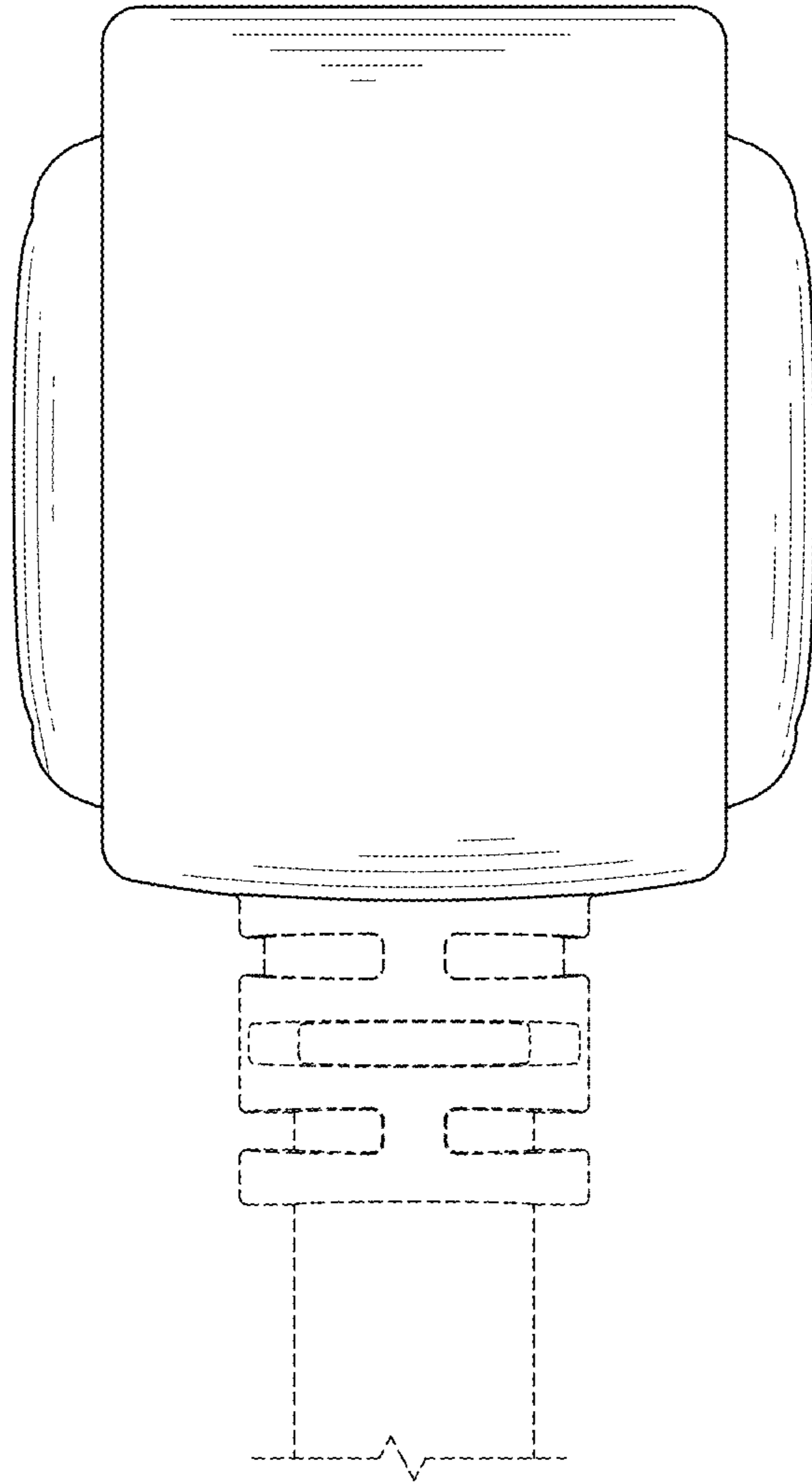


FIG. 2

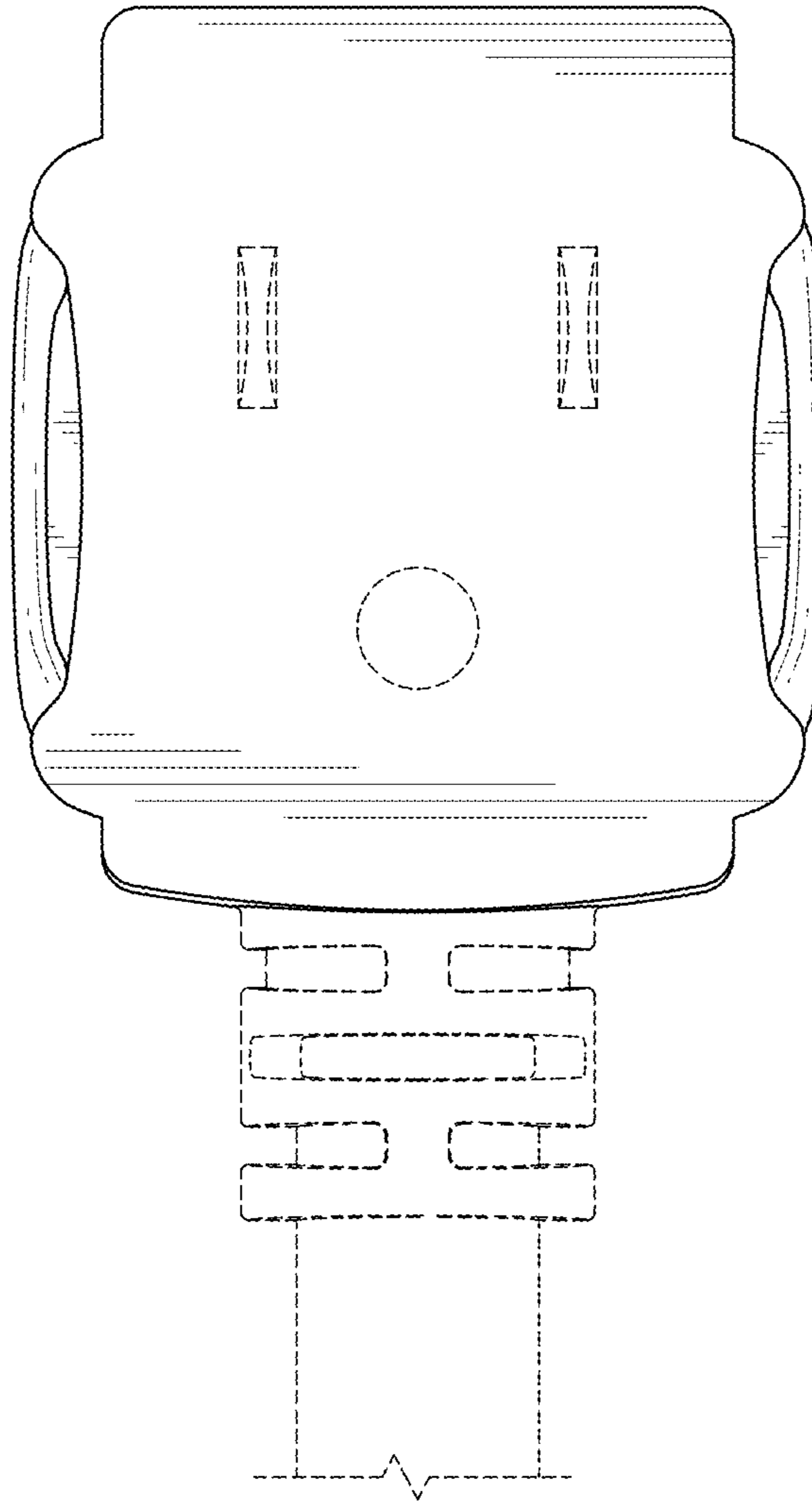


FIG. 3

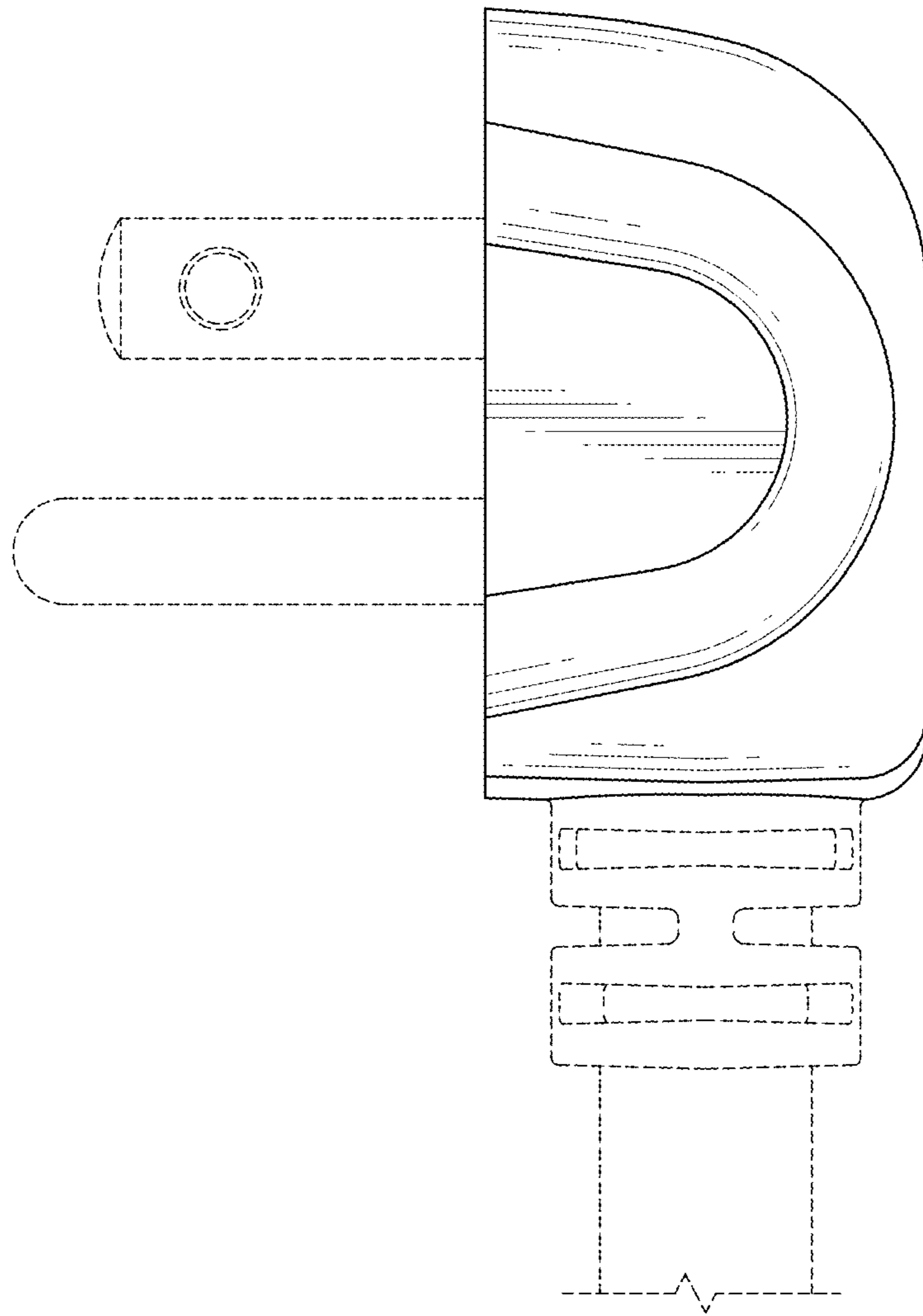


FIG. 4

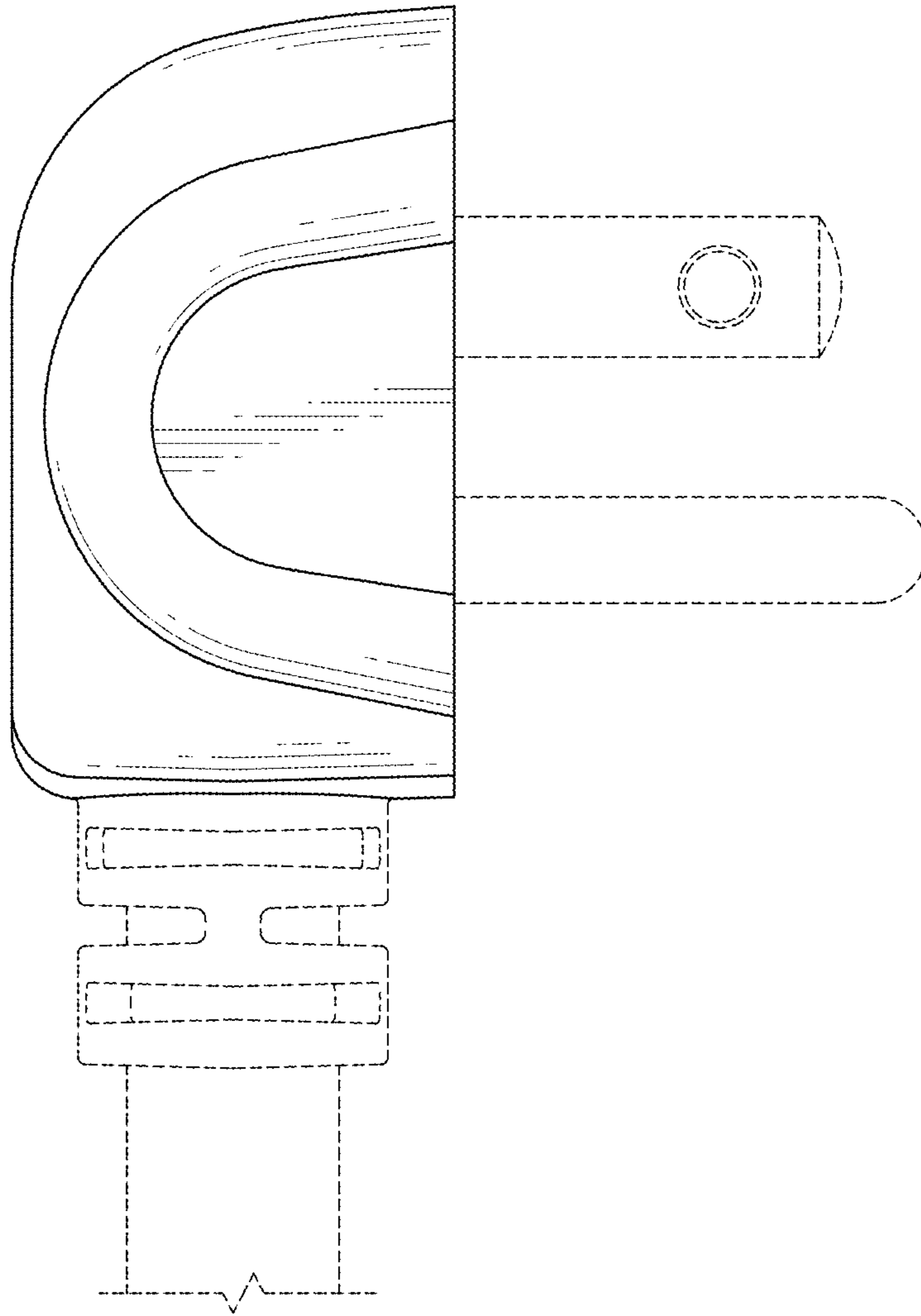


FIG. 5

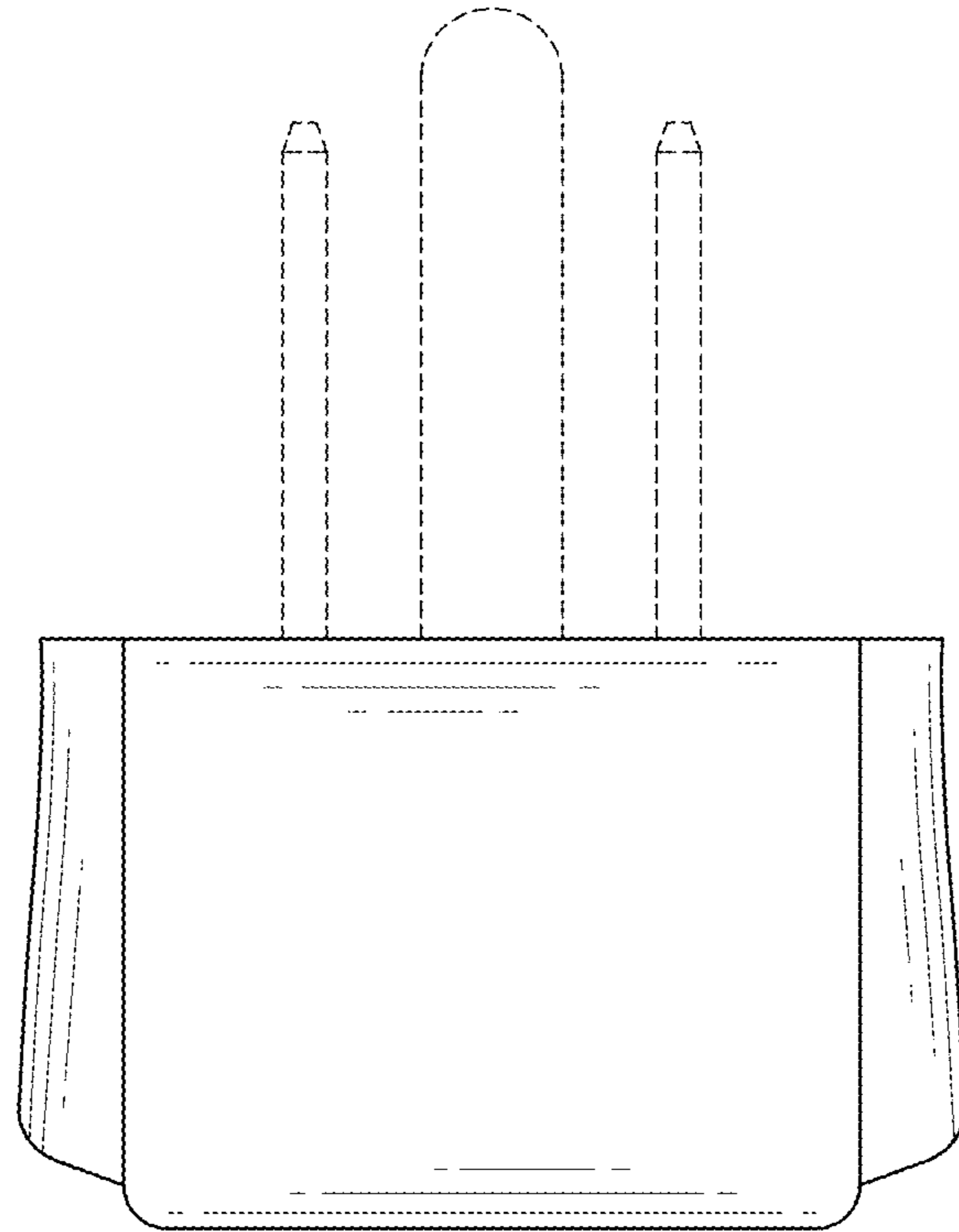


FIG. 6

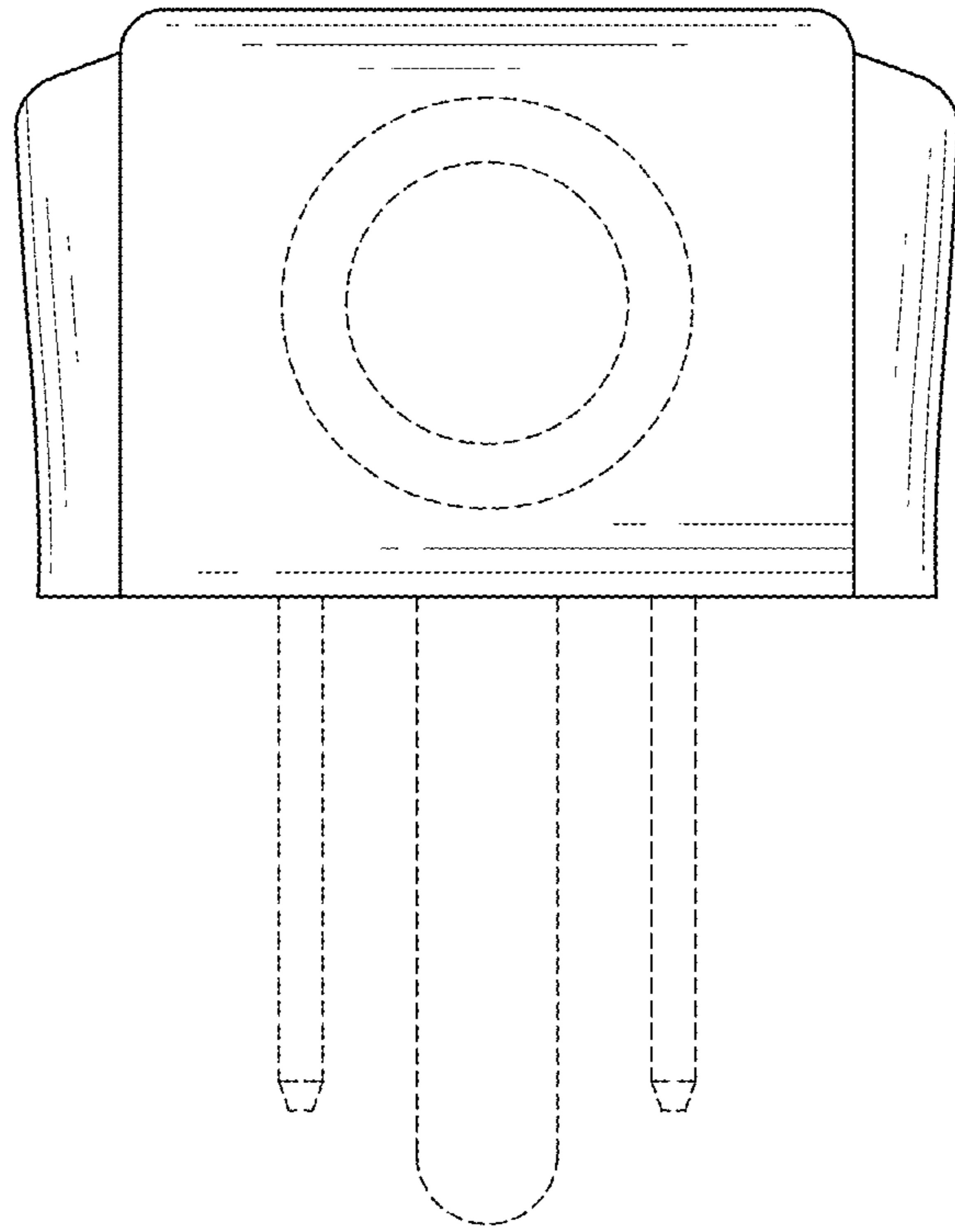


FIG. 7