

US00D784259S

(12) **United States Design Patent**
Huang et al.

(10) **Patent No.:** **US D784,259 S**
(45) **Date of Patent:** **** Apr. 18, 2017**

- (54) **MULTI-FUNCTIONAL CHARGER**
- (71) Applicants: **Mingchang Huang**, Shaoyang (CN);
Panwen Huang, Shenzhen (CN)
- (72) Inventors: **Mingchang Huang**, Shaoyang (CN);
Panwen Huang, Shenzhen (CN)
- (**) Term: **15 Years**
- (21) Appl. No.: **29/548,832**
- (22) Filed: **Dec. 17, 2015**
- (51) **LOC (10) Cl.** **13-02**
- (52) **U.S. Cl.**
USPC **D13/108**
- (58) **Field of Classification Search**
USPC D13/107-110, 118, 119, 184; D14/251,
D14/253, 432, 434
CPC Y02E 60/12; Y02T 90/14; Y02T 90/122;
Y02T 90/128; Y02T 90/163; H02J 7/025;
H02J 7/0042; H02J 7/0044; H02J 7/0045;
H02J 7/0003; H01F 38/14; H01R
13/6675; H01M 2/1022; H01M 2/1055;
H01M 10/44; H01M 10/46; H01M
10/425; B60L 11/182
See application file for complete search history.

- D718,236 S * 11/2014 Murray D13/108
- D721,335 S * 1/2015 Smeja D13/155
- D735,131 S * 7/2015 Akana D13/108
- D743,382 S * 11/2015 Katori D14/228
- D743,954 S * 11/2015 Chuang D13/168
- D746,166 S * 12/2015 Li D10/104.1
- 9,306,406 B2 * 4/2016 Miklitsch H02J 7/0047
- D766,844 S * 9/2016 Turksu D10/104.1
- D772,813 S * 11/2016 Wahl D13/108
- D773,437 S * 12/2016 Lee D14/223
- D774,455 S * 12/2016 Kim D13/108
- D775,233 S * 12/2016 Beck D14/203.6
- D777,100 S * 1/2017 Price D13/103

* cited by examiner

Primary Examiner — Rosemary K Tarcza
Assistant Examiner — Alison Ofstun
(74) *Attorney, Agent, or Firm* — Novoclaims Patent
Services LLC; Mei Lin Wong

(57) **CLAIM**

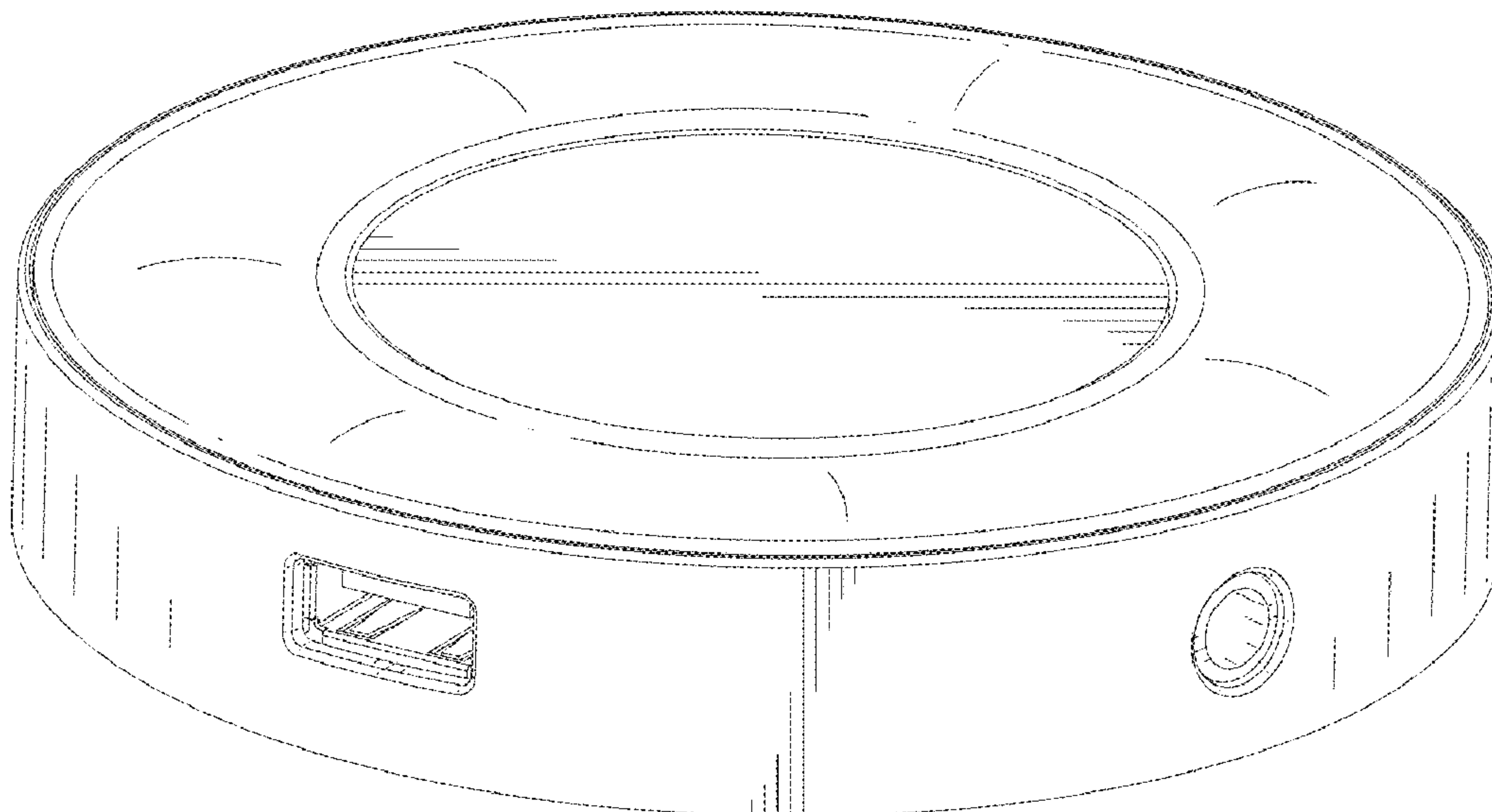
The ornamental design for a multi-functional charger, as shown and described.

DESCRIPTION

FIG. 1 is a perspective view of a multi-functional charger showing our new design.
FIG. 2 is a front view thereof.
FIG. 3 is a rear view thereof.
FIG. 4 is a left end view thereof.
FIG. 5 is a right end view thereof.
FIG. 6 is a top view thereof; and,
FIG. 7 is a bottom view thereof.

1 Claim, 7 Drawing Sheets

- (56) **References Cited**
U.S. PATENT DOCUMENTS
D512,417 S * 12/2005 Hirakawa D14/223
D596,622 S * 7/2009 Lee D14/218
D603,022 S * 10/2009 Schonherr D23/245
D700,904 S * 3/2014 Miller D13/168



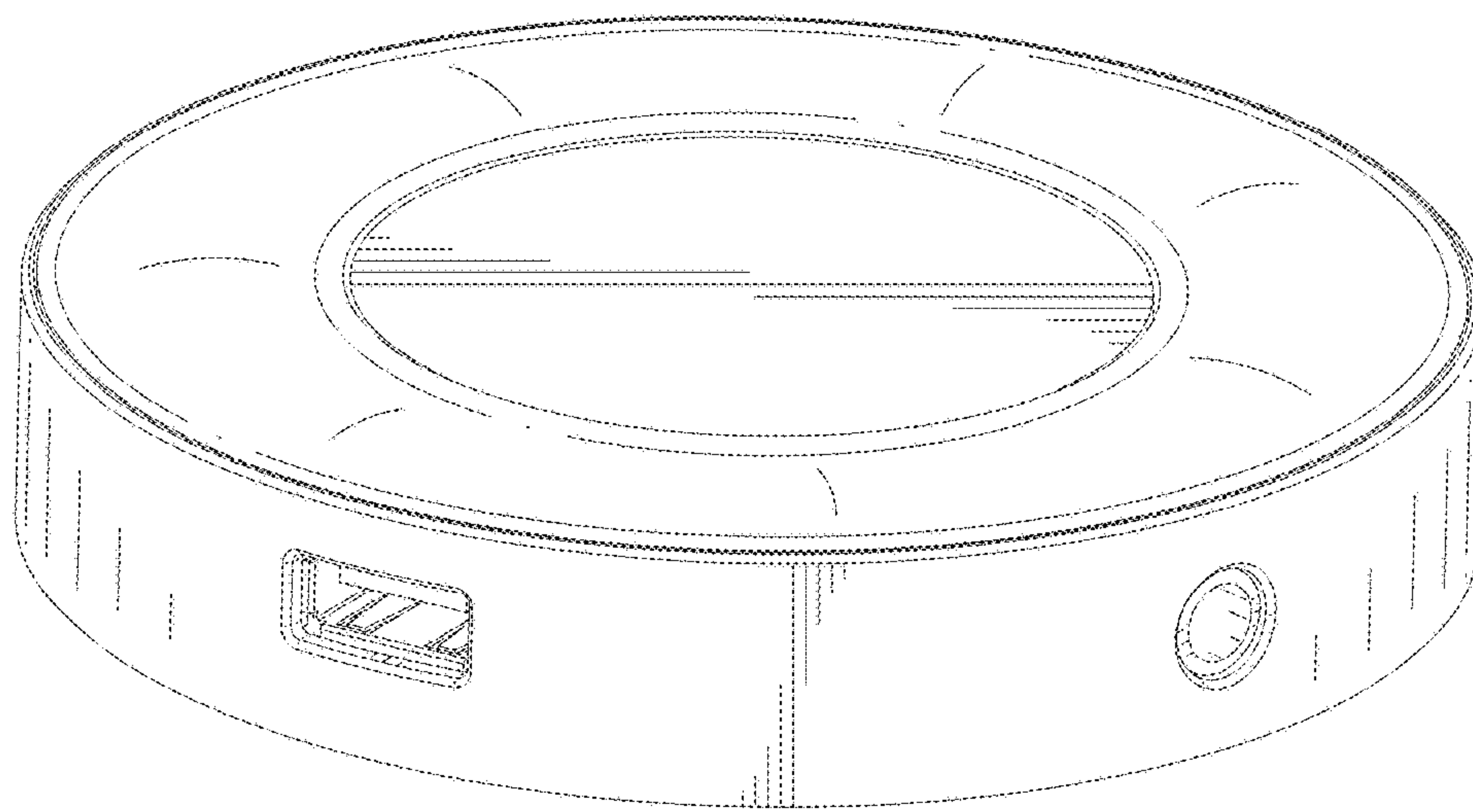


FIG.1

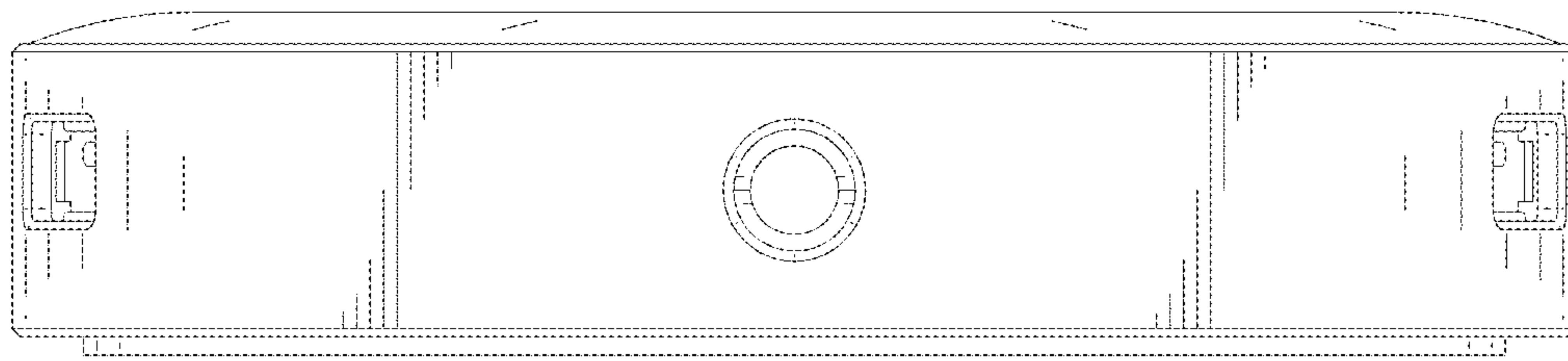


FIG.2

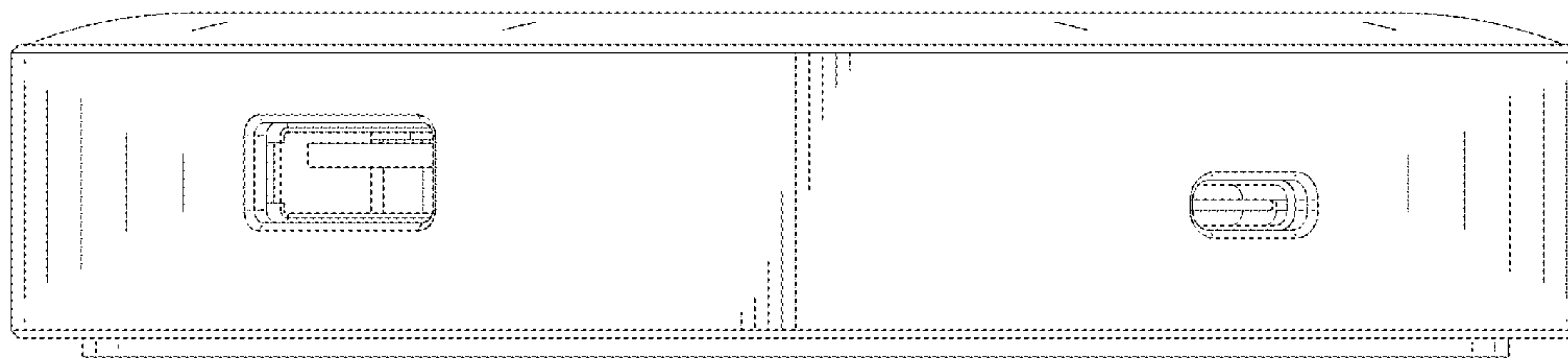


FIG.3

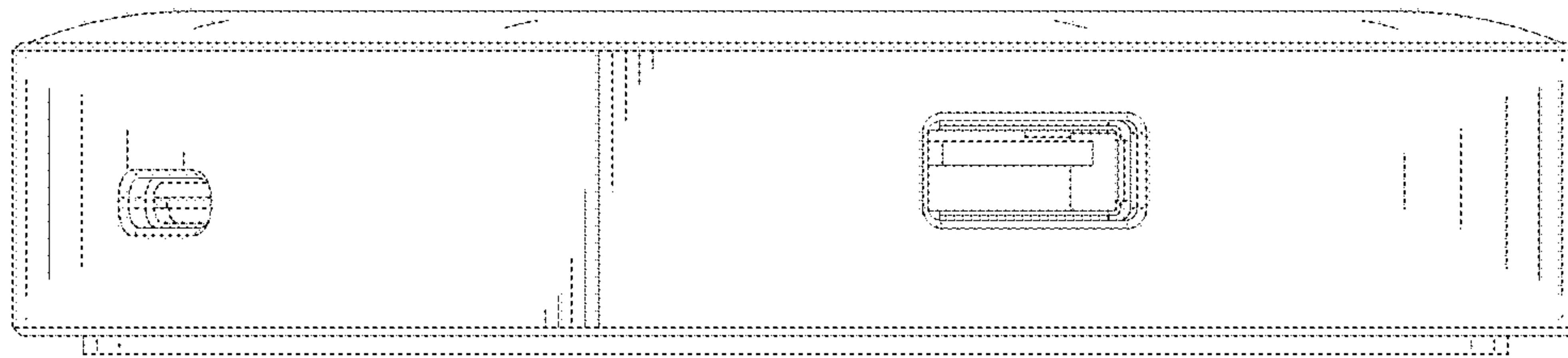


FIG.4

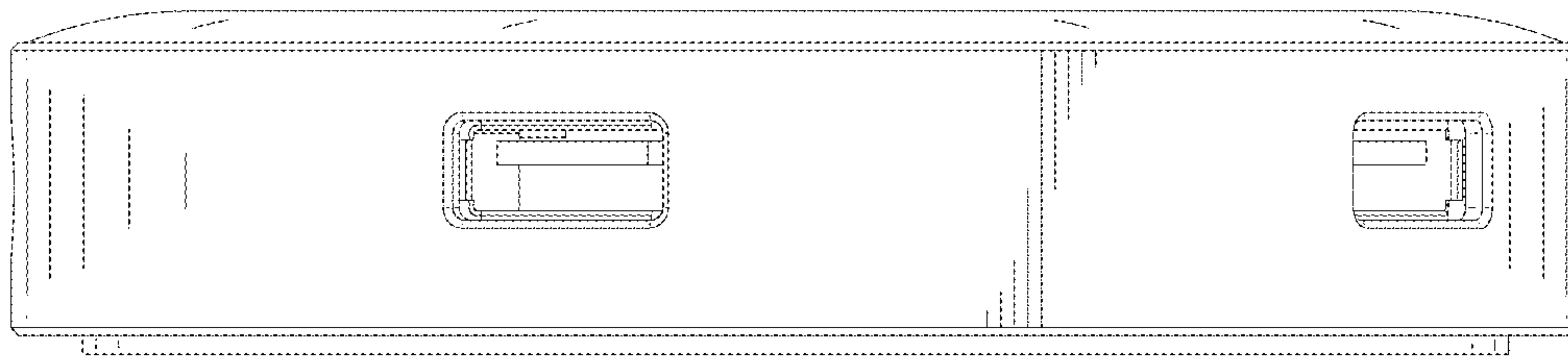


FIG.5

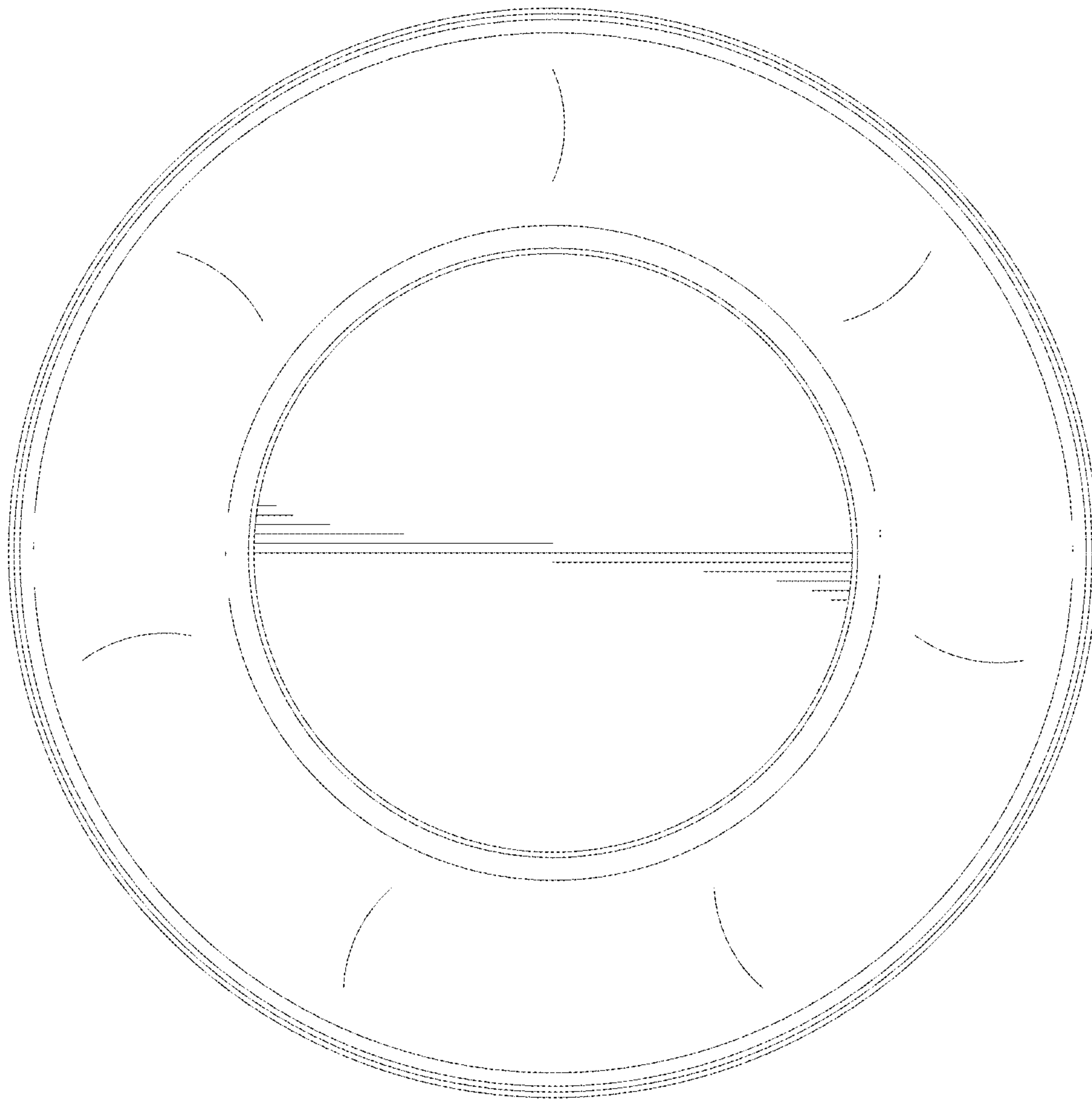


FIG.6

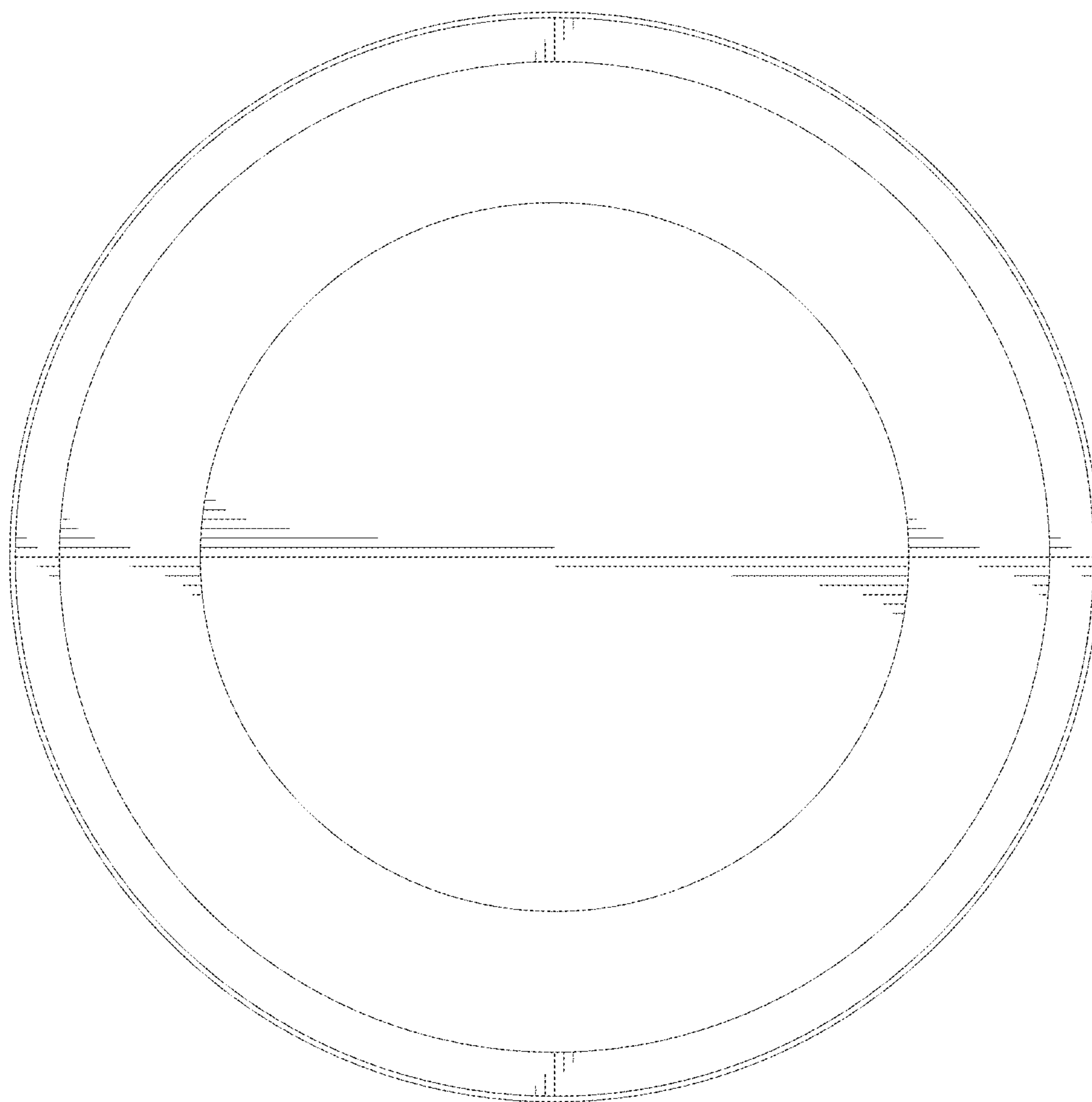


FIG.7