



US00D784250S

(12) **United States Design Patent**  
**Kuwano**

(10) **Patent No.:** **US D784,250 S**  
(45) **Date of Patent:** **\*\* Apr. 18, 2017**

(54) **TIRE**  
(71) Applicant: **Toyo Tire & Rubber Co., Ltd.**,  
Osaka-shi, Osaka (JP)  
(72) Inventor: **Shingo Kuwano**, Osaka (JP)  
(73) Assignee: **Toyo Tire & Rubber Co., Ltd.**, Osaka  
(JP)

D687,765 S 8/2013 Kuwano et al.  
D729,155 S \* 5/2015 Jacobs ..... D12/600  
D732,467 S \* 6/2015 Schimmoeller ..... D12/600  
D741,253 S \* 10/2015 Lundgren ..... D12/600  
D753,583 S \* 4/2016 Hao ..... D12/512  
D754,592 S \* 4/2016 Tian ..... D12/600  
D761,722 S \* 7/2016 Takahashi ..... D12/579

(Continued)

(\*\*) Term: **15 Years**  
(21) Appl. No.: **29/538,916**  
(22) Filed: **Sep. 9, 2015**

**OTHER PUBLICATIONS**

U.S. Appl. No. 29/538,890, filed Sep. 9, 2015.  
U.S. Appl. No. 29/538,919, filed Sep. 9, 2015.

(30) **Foreign Application Priority Data**  
Apr. 10, 2015 (JP) ..... 2015-008209

*Primary Examiner* — Robert M Spear  
(74) *Attorney, Agent, or Firm* — Sterne, Kessler,  
Goldstein & Fox P.L.L.C.

(51) **LOC (10) Cl.** ..... **12-15**  
(52) **U.S. Cl.**  
USPC ..... **D12/600**

(57) **CLAIM**  
The ornamental design for a tire, as shown and described.

(58) **Field of Classification Search**  
USPC ..... D12/501, 559, 564, 585, 586, 588, 590,  
D12/591, 594, 595, 598, 600, 601, 602,  
D12/603  
CPC .. B60C 11/03; B60C 11/0306; B60C 11/0388  
See application file for complete search history.

**DESCRIPTION**

FIG. 1 is a perspective view of a tire showing my new design;  
FIG. 2 is a front view thereof;  
FIG. 3 is a rear view thereof;  
FIG. 4 is a top plan view thereof, the bottom view being the same;  
FIG. 5 is a right side view thereof;  
FIG. 6 is a left side view thereof;  
FIG. 7 is an enlarged view of the portion 7-7 in FIG. 2; and,  
FIG. 8 is a cross-sectional view taken along line 8'-8' in FIG. 7 within the portion 8-8 in FIG. 5.

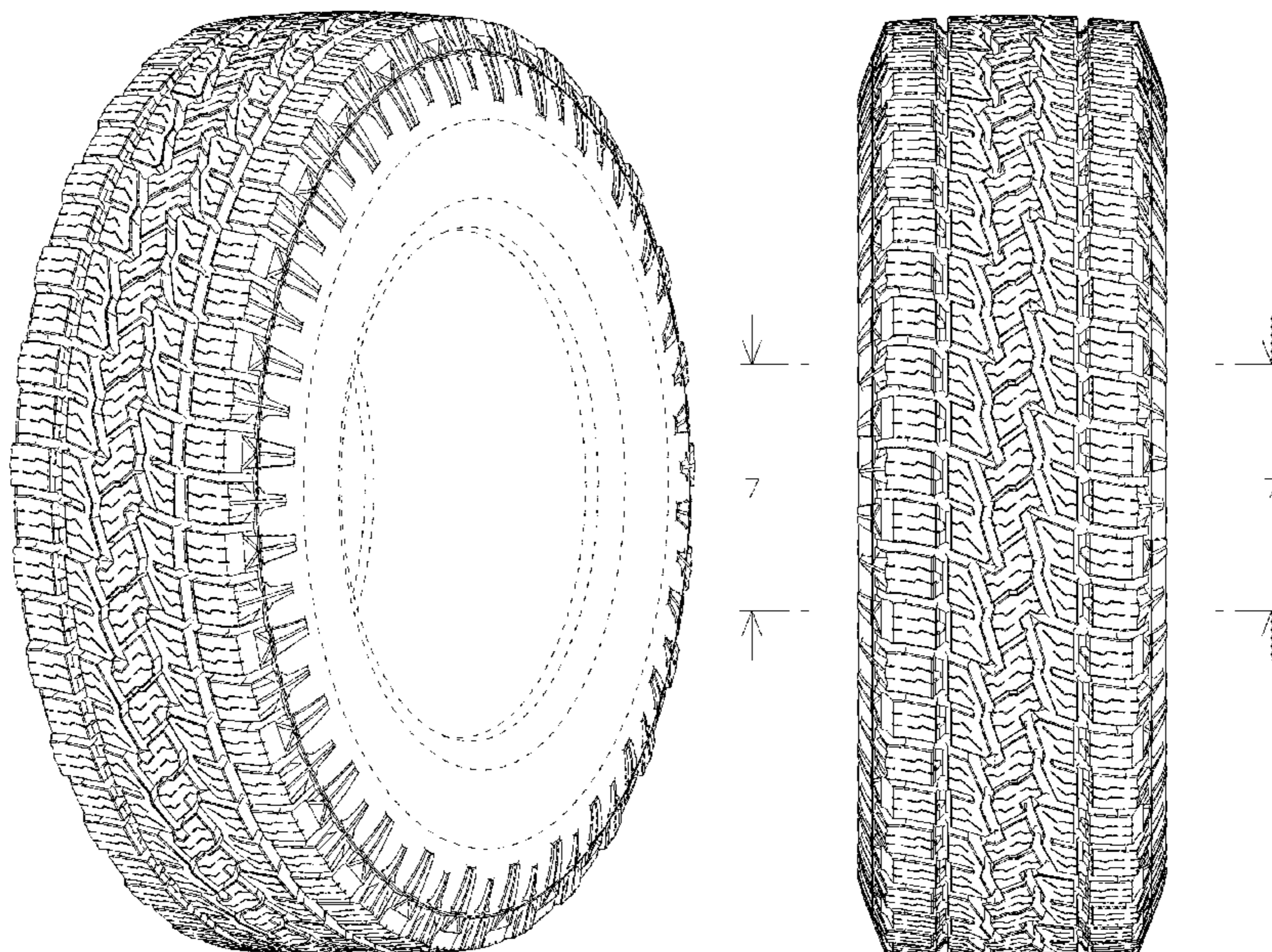
(56) **References Cited**

**U.S. PATENT DOCUMENTS**

D278,696 S \* 5/1985 Grohmann ..... D12/600  
D295,162 S \* 4/1988 Nilsson ..... D12/600  
D312,994 S \* 12/1990 Hayakawa ..... D12/594  
D461,765 S \* 8/2002 Nonaka ..... D12/594  
D606,487 S \* 12/2009 Lo ..... D12/600  
D628,958 S \* 12/2010 Fleckner ..... D12/600  
D666,967 S \* 9/2012 Sareen ..... D12/594  
D669,843 S \* 10/2012 Grote ..... D12/600

In the drawings, the broken lines showing portions of the sidewall and inner bead depict portions of the tire that form no part of the claimed design. The outermost broken line of the sidewall forms the boundary of the claim.

**1 Claim, 8 Drawing Sheets**



(56)

**References Cited**

U.S. PATENT DOCUMENTS

D762,161 S \* 7/2016 Wang ..... D12/594

\* cited by examiner

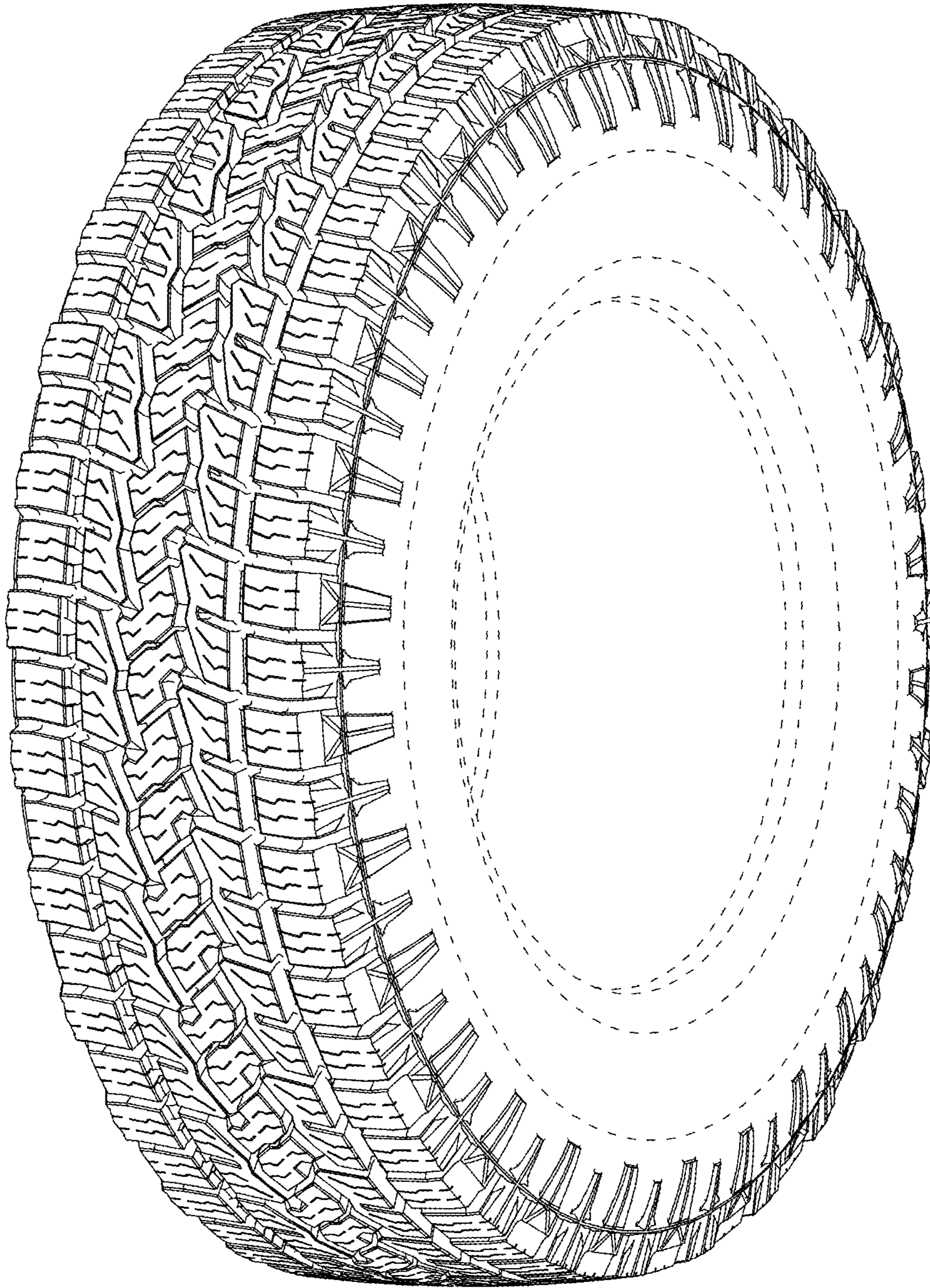


FIG. 1

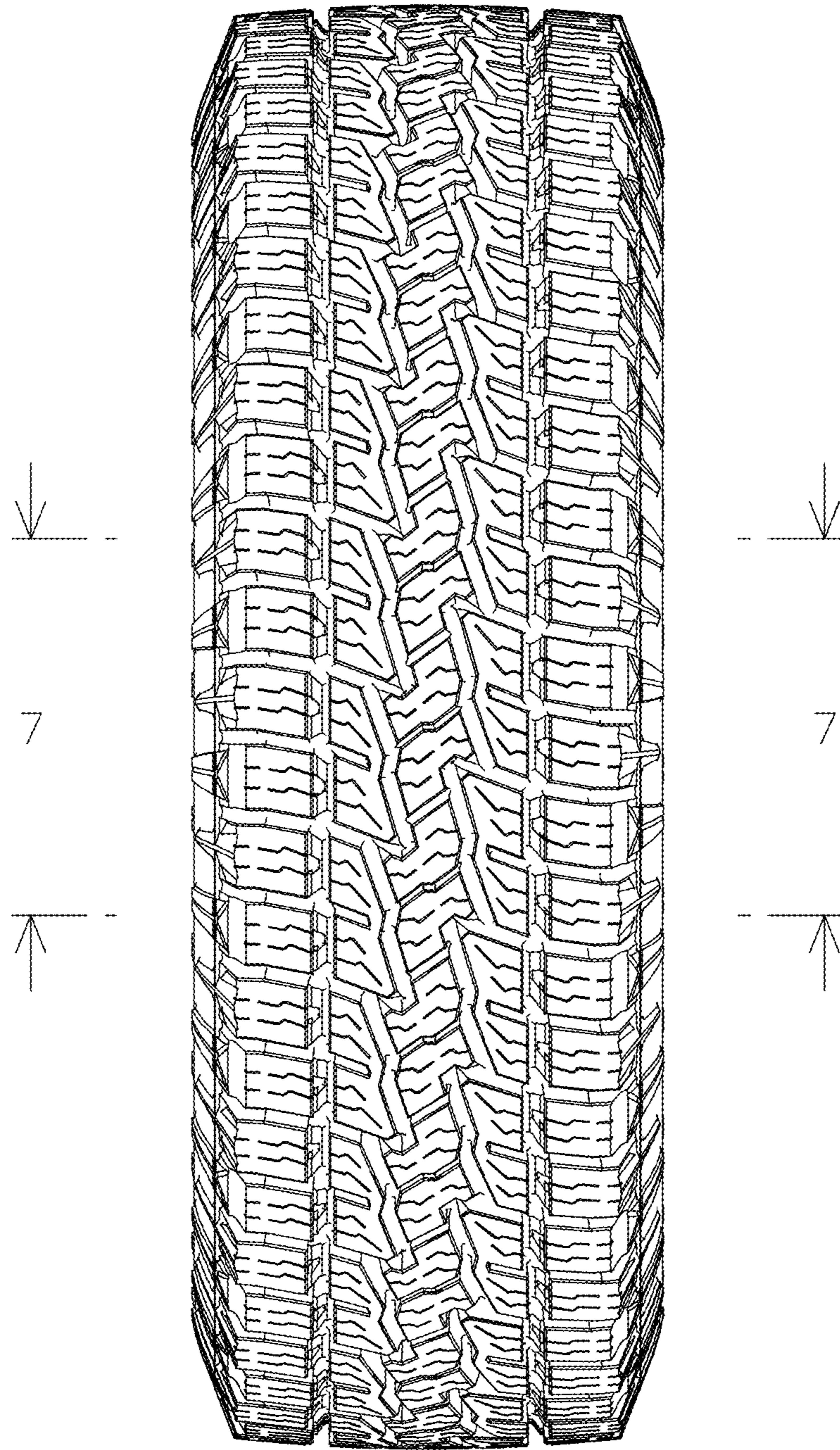


FIG. 2

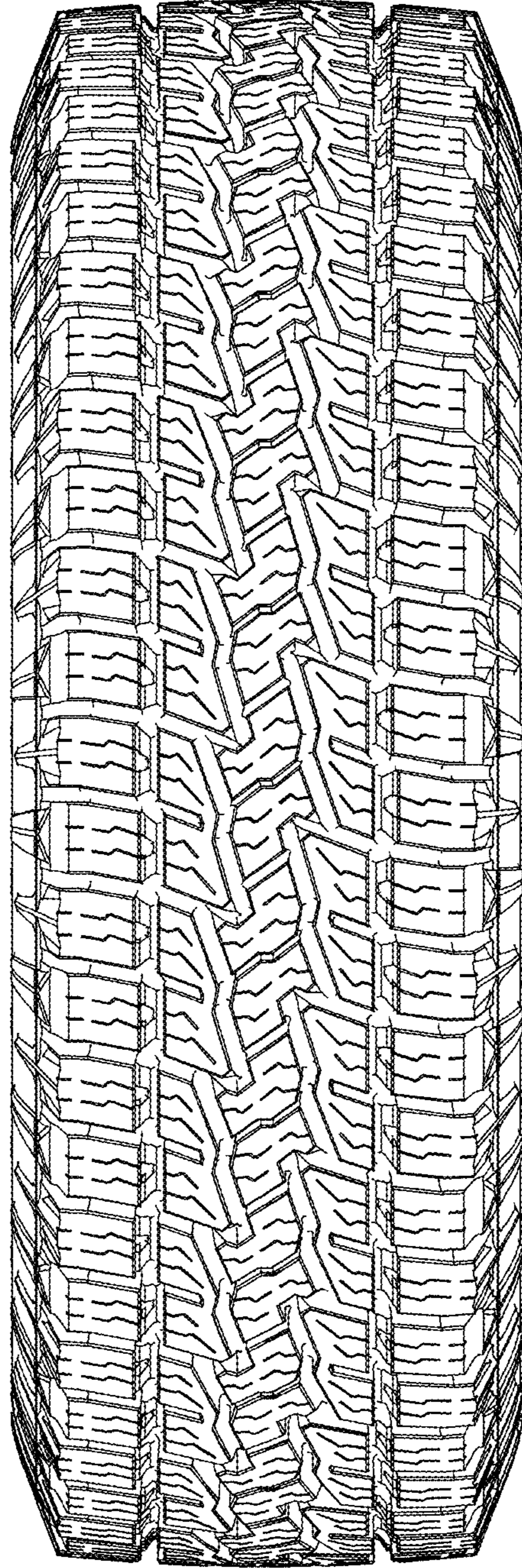


FIG. 3

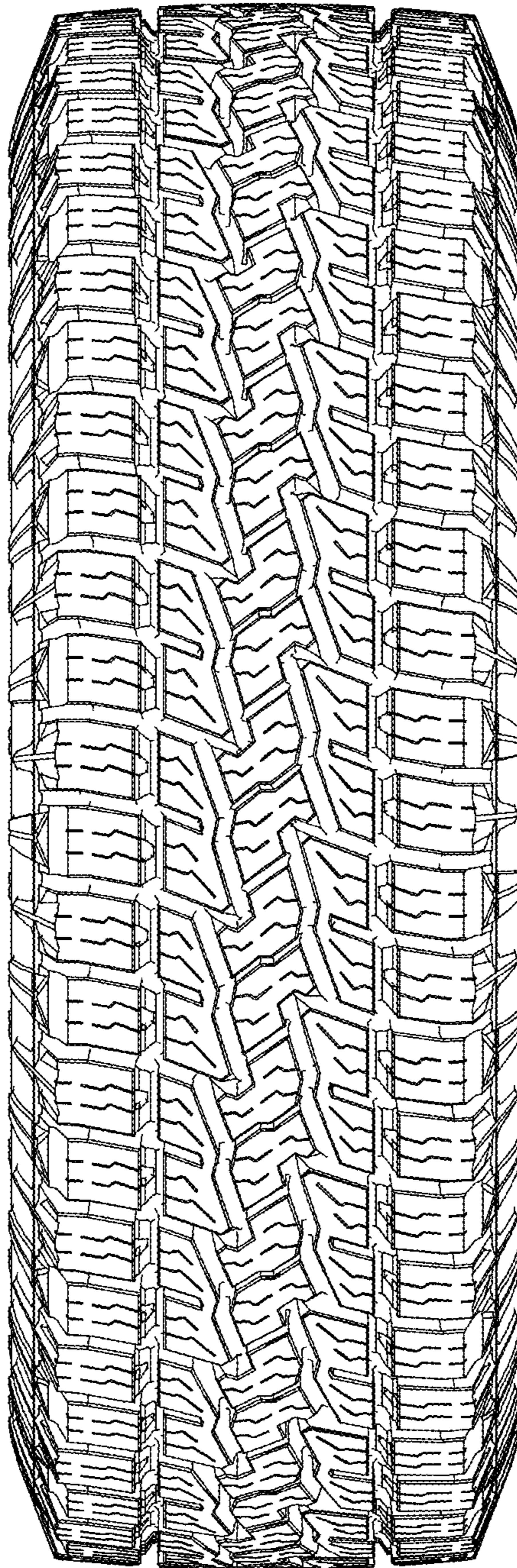


FIG. 4

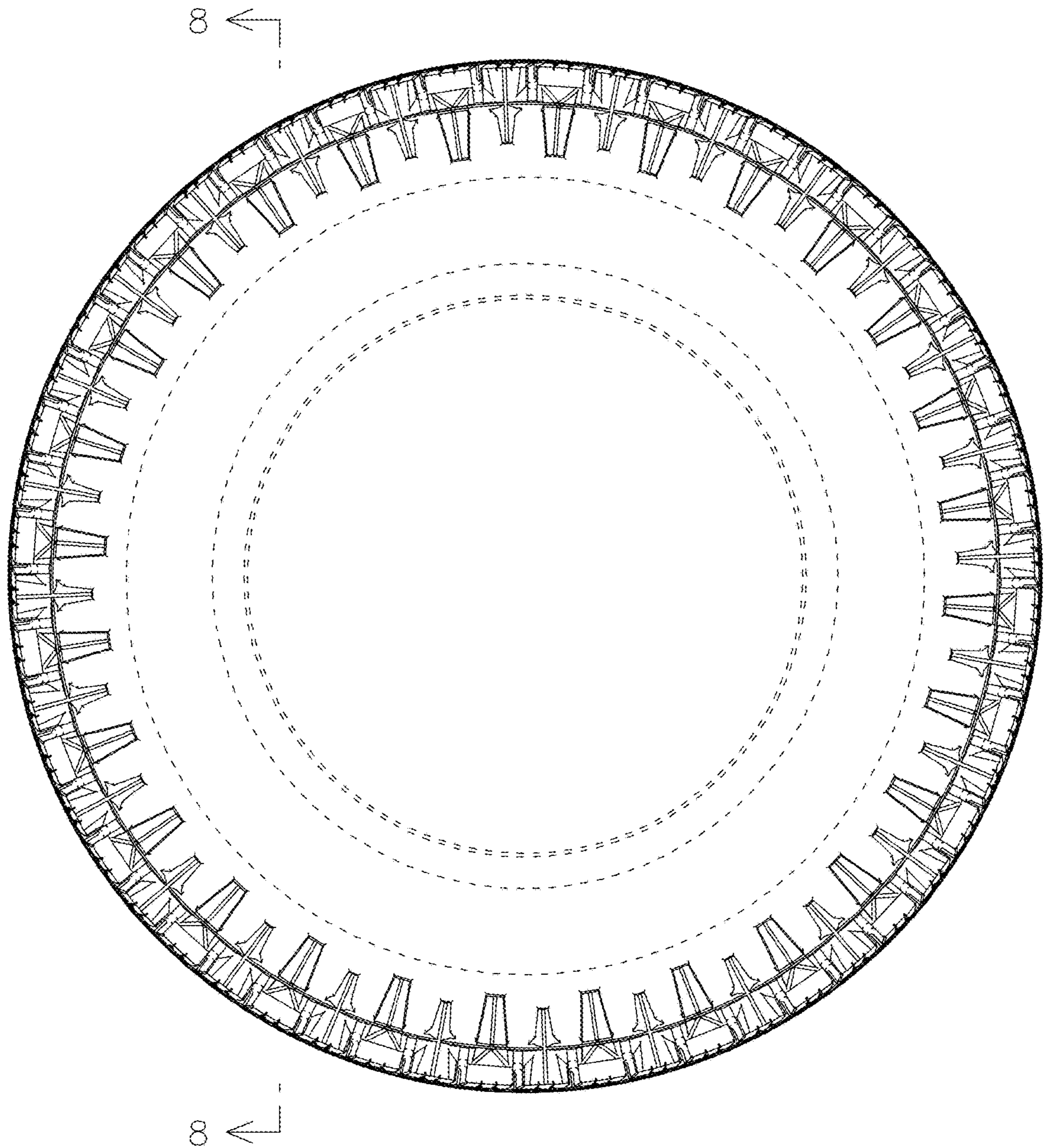


FIG. 5

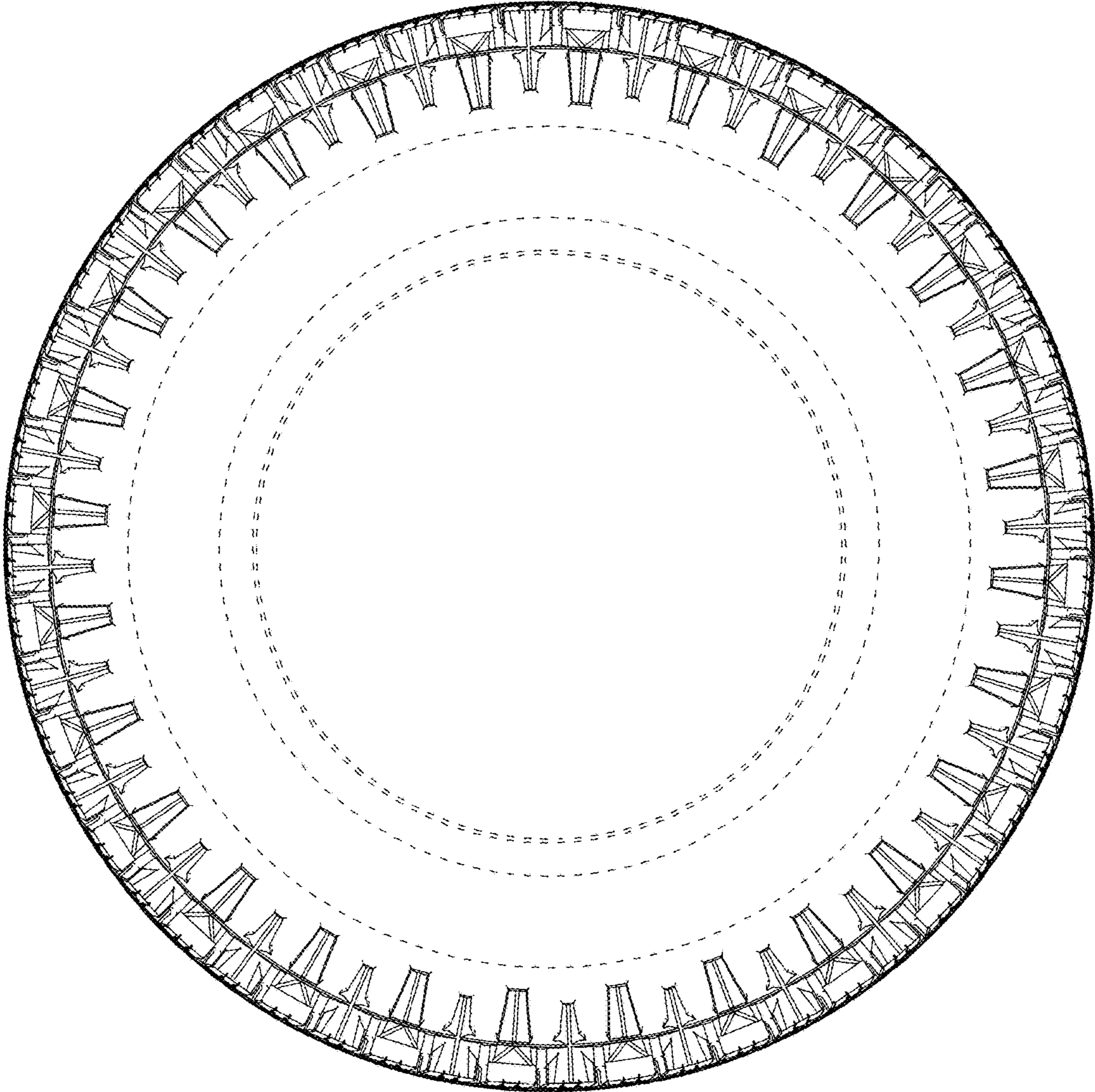


FIG. 6



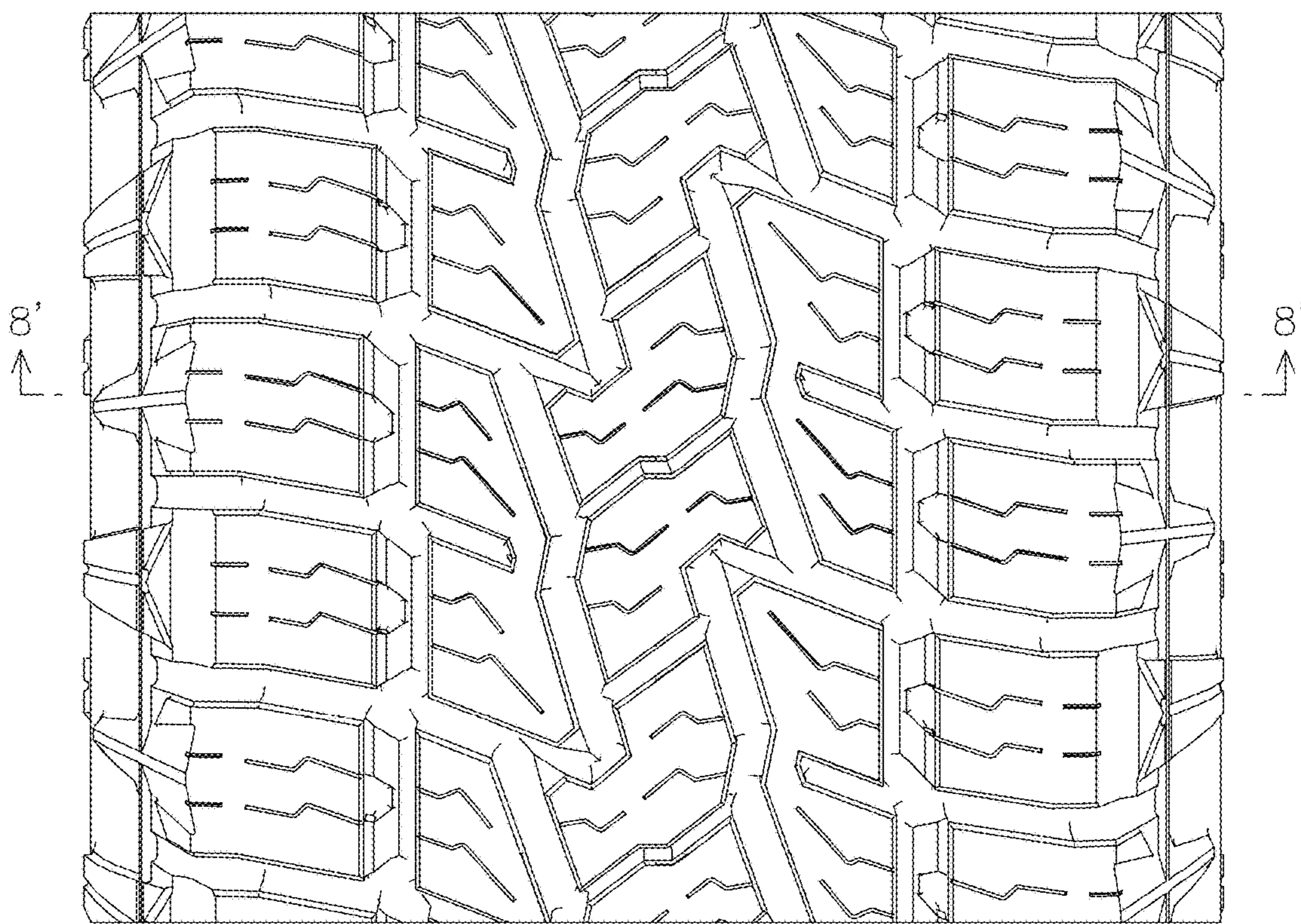


FIG. 7

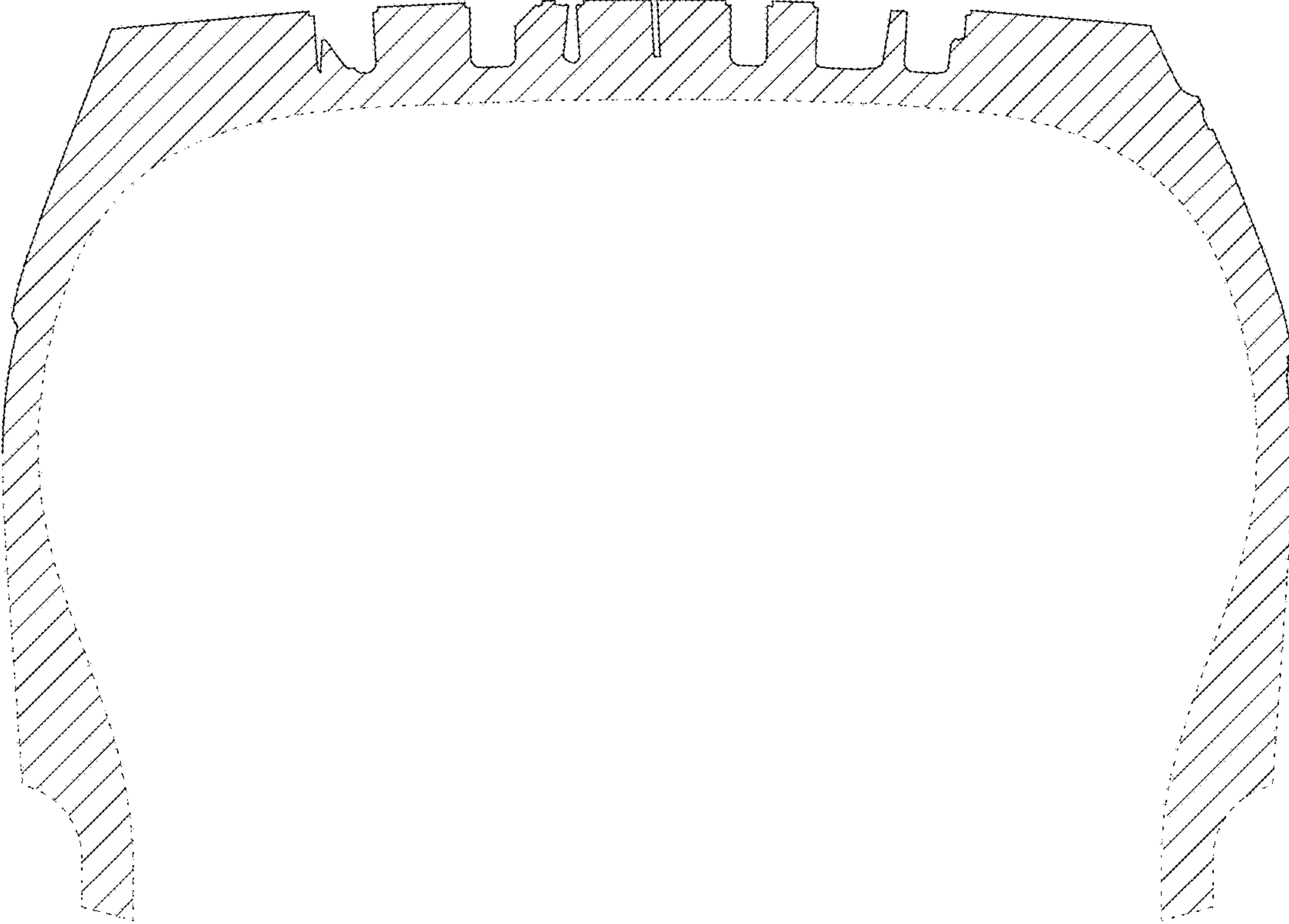


FIG. 8