



US00D784245S

(12) **United States Design Patent**
Mayers

(10) **Patent No.:** **US D784,245 S**

(45) **Date of Patent:** **** Apr. 18, 2017**

- (54) **AUTOMOBILE BICYCLE RACK**
- (71) Applicant: **Jack D. Mayers**, Damascus, PA (US)
- (72) Inventor: **Jack D. Mayers**, Damascus, PA (US)
- (**) Term: **15 Years**
- (21) Appl. No.: **29/566,931**
- (22) Filed: **Jun. 3, 2016**
- (51) **LOC (10) Cl.** **12-16**
- (52) **U.S. Cl.**
USPC **D12/408; D12/115**
- (58) **Field of Classification Search**
USPC D12/115, 120
CPC .. B62H 3/00; B62H 3/10; B62D 43/02; B60R 9/06; F16M 13/00
See application file for complete search history.

5,641,108	A *	6/1997	Ewer	B60R 9/06 224/502
5,647,521	A *	7/1997	Burgess	B60R 9/10 224/505
5,649,656	A	7/1997	Davy	
6,237,824	B1	5/2001	Bagley	
7,243,966	B1	7/2007	Shelton	
7,565,990	B2	7/2009	Bryan, IV	
8,556,144	B2	10/2013	Liu	
8,931,671	B2 *	1/2015	Olsen	B60R 9/10 224/519
9,102,280	B1 *	8/2015	Crawford	B60R 9/10
D757,612	S *	5/2016	Woller	D12/106
D759,570	S *	6/2016	Pappas	D12/407
2005/0092800	A1	5/2005	Wilson	
2005/0224665	A1	10/2005	Cassavar et al.	

* cited by examiner

Primary Examiner — Darlington Ly
(74) *Attorney, Agent, or Firm* — Robert C. Montgomery;
Montgomery Patent & Design LP.

(56) **References Cited**

U.S. PATENT DOCUMENTS

D232,627	S *	9/1974	Rossi	D12/115
D303,102	S *	8/1989	Peterman	D12/408
D308,846	S *	6/1990	Eckhart	D12/408
5,067,641	A *	11/1991	Johnson	B60R 9/06 224/501
D325,553	S *	4/1992	Weiner	D12/408
D337,087	S *	7/1993	Peterman	D12/408
D341,348	S *	11/1993	Williams	D12/408
5,337,932	A	8/1994	Griewahn	
D369,139	S *	4/1996	Joder	D12/408
D369,575	S *	5/1996	Genshock	D12/115
D374,208	S *	10/1996	Eva, Jr.	D12/408
5,560,666	A	10/1996	Vieira et al.	
D376,577	S *	12/1996	Avery	D12/408

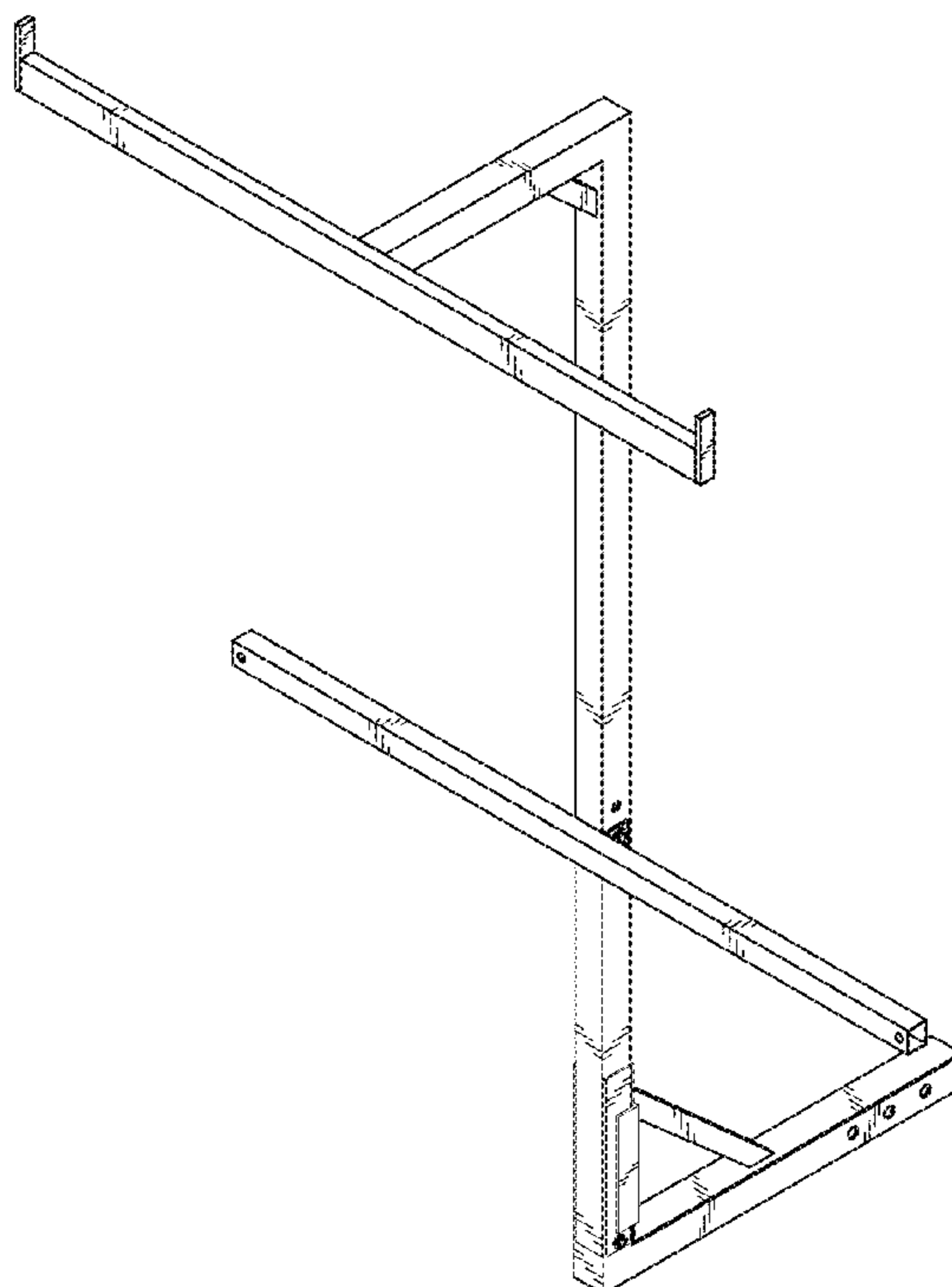
(57) **CLAIM**

The ornamental design for an automobile bicycle rack, as shown and described.

DESCRIPTION

FIG. 1 is a front perspective view of an automobile bicycle rack showing my new design;
FIG. 2 is front elevation view thereof;
FIG. 3 is a rear elevation view thereof;
FIG. 4 is a right side elevation view thereof, wherein the left side elevation view is a mirror image;
FIG. 5 is a top plan view thereof; and,
FIG. 6 is a bottom plan view thereof.

1 Claim, 6 Drawing Sheets



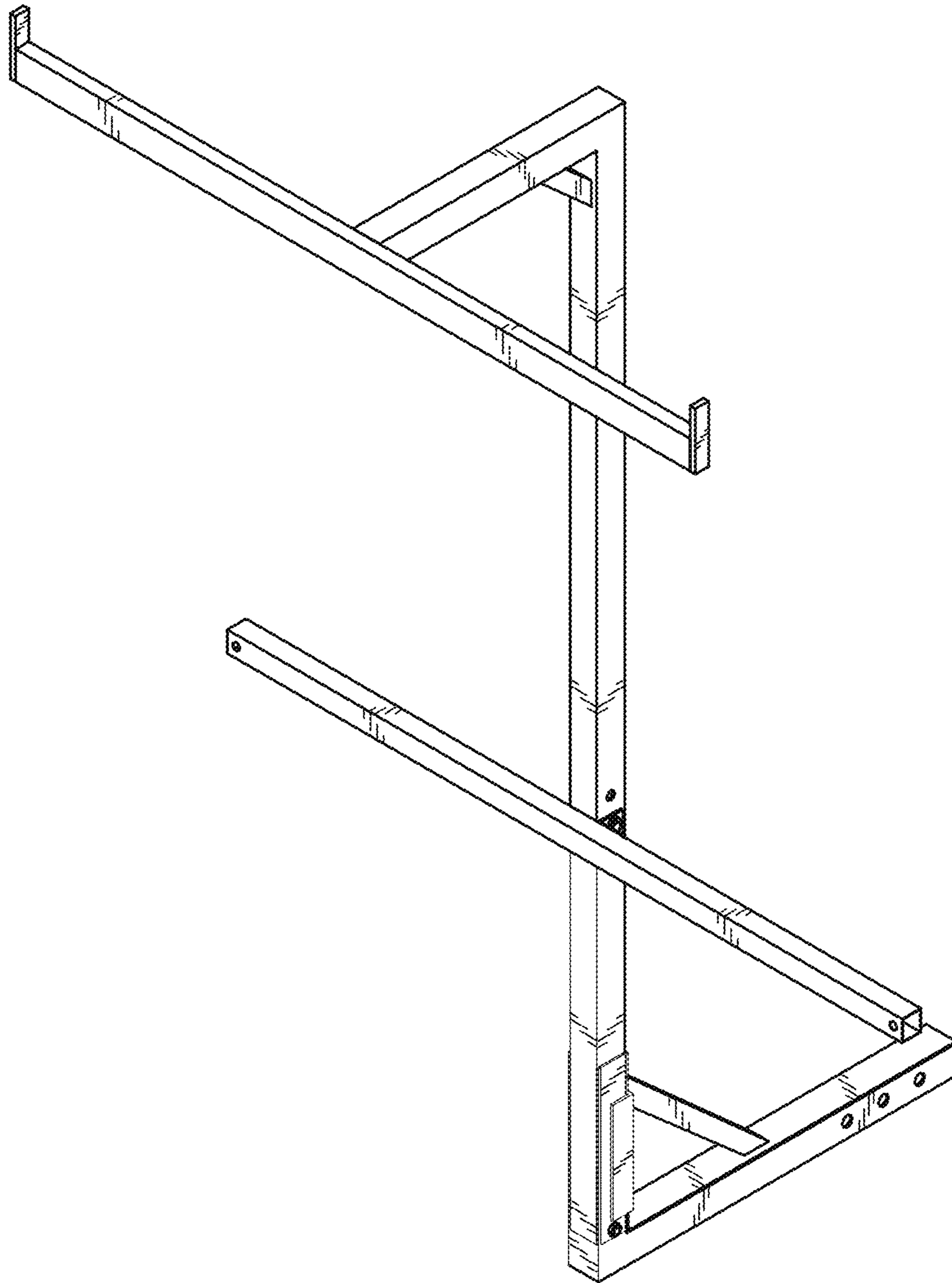


FIG. 1

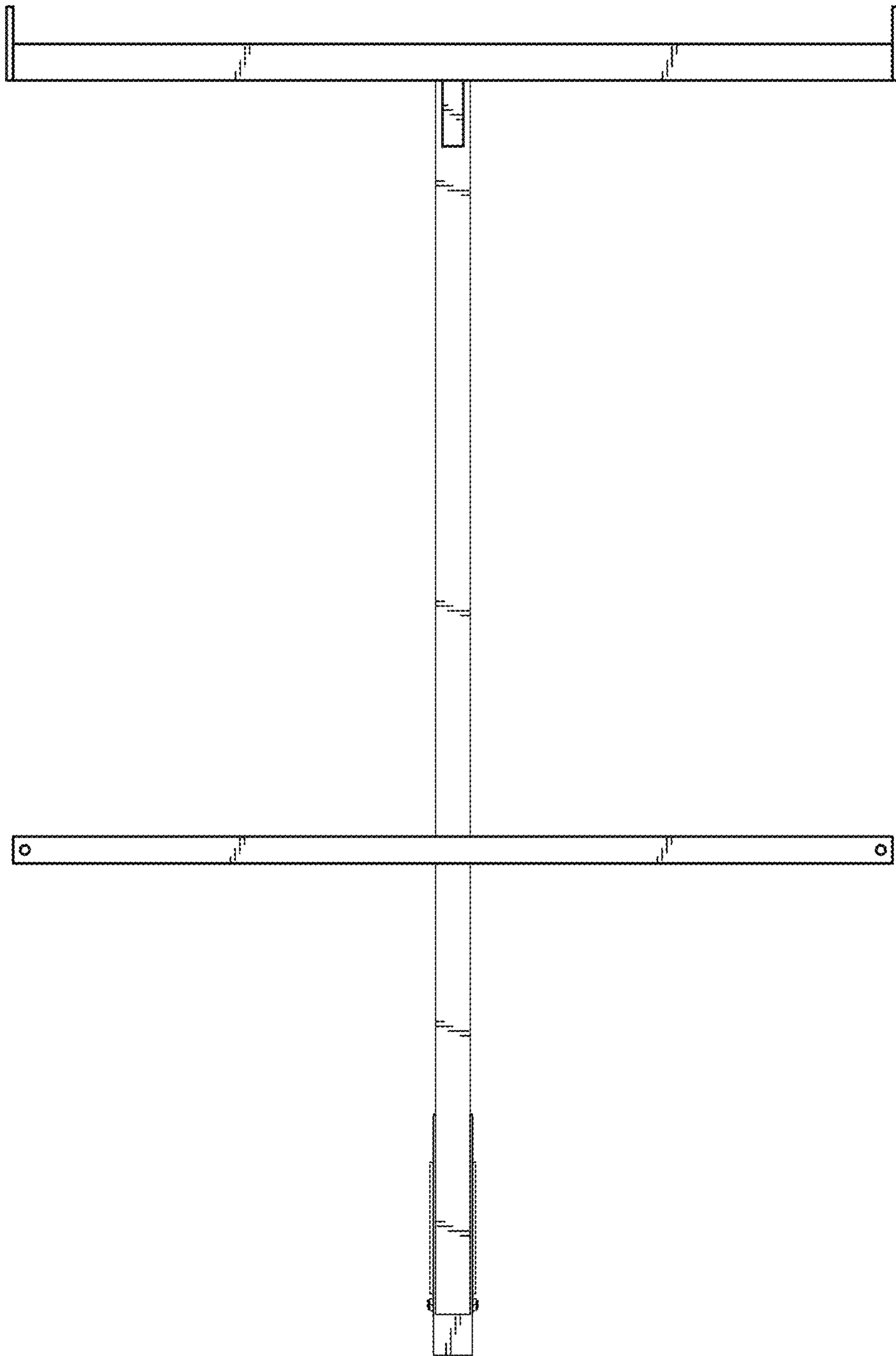


FIG. 2

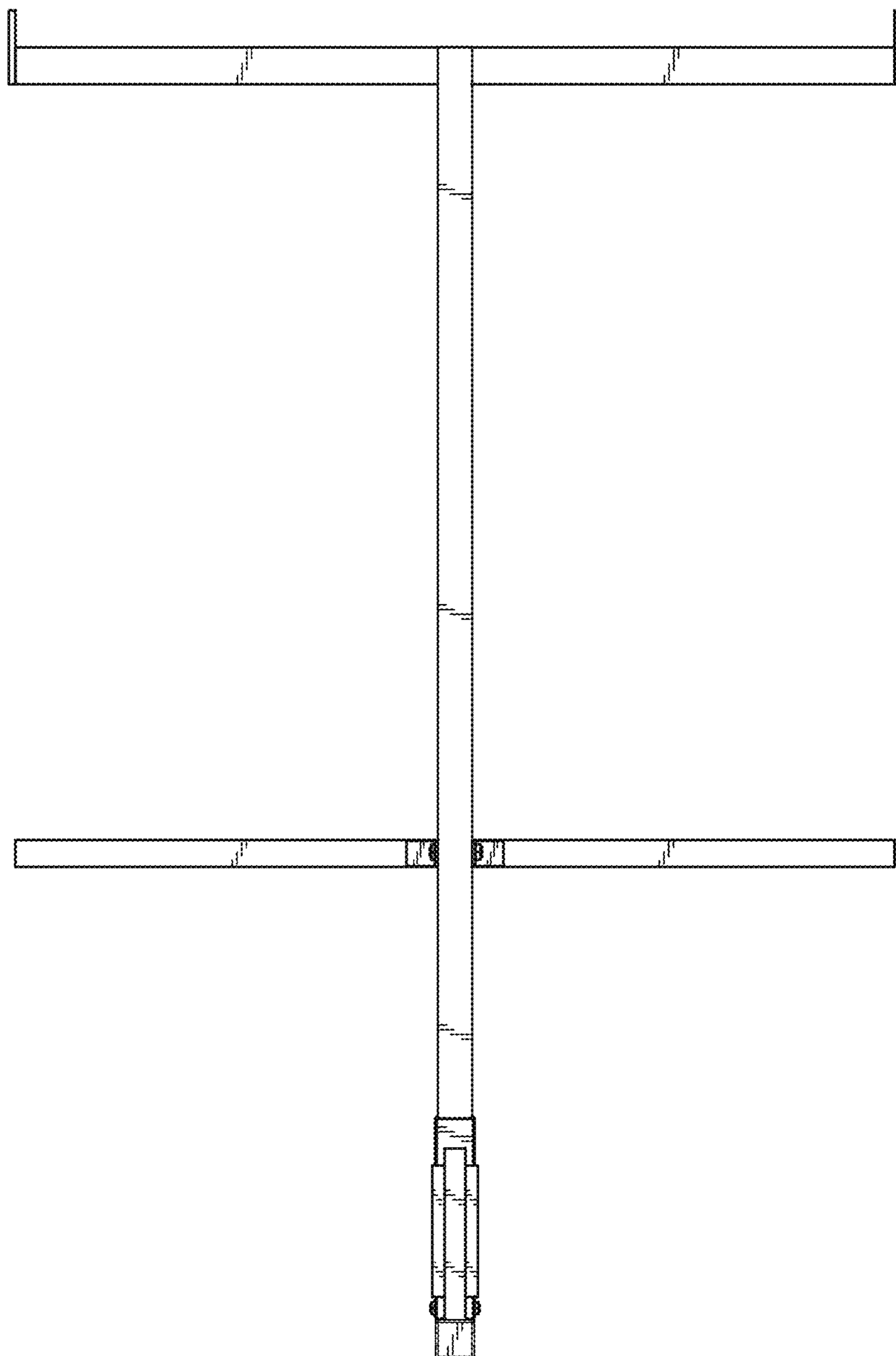


FIG. 3

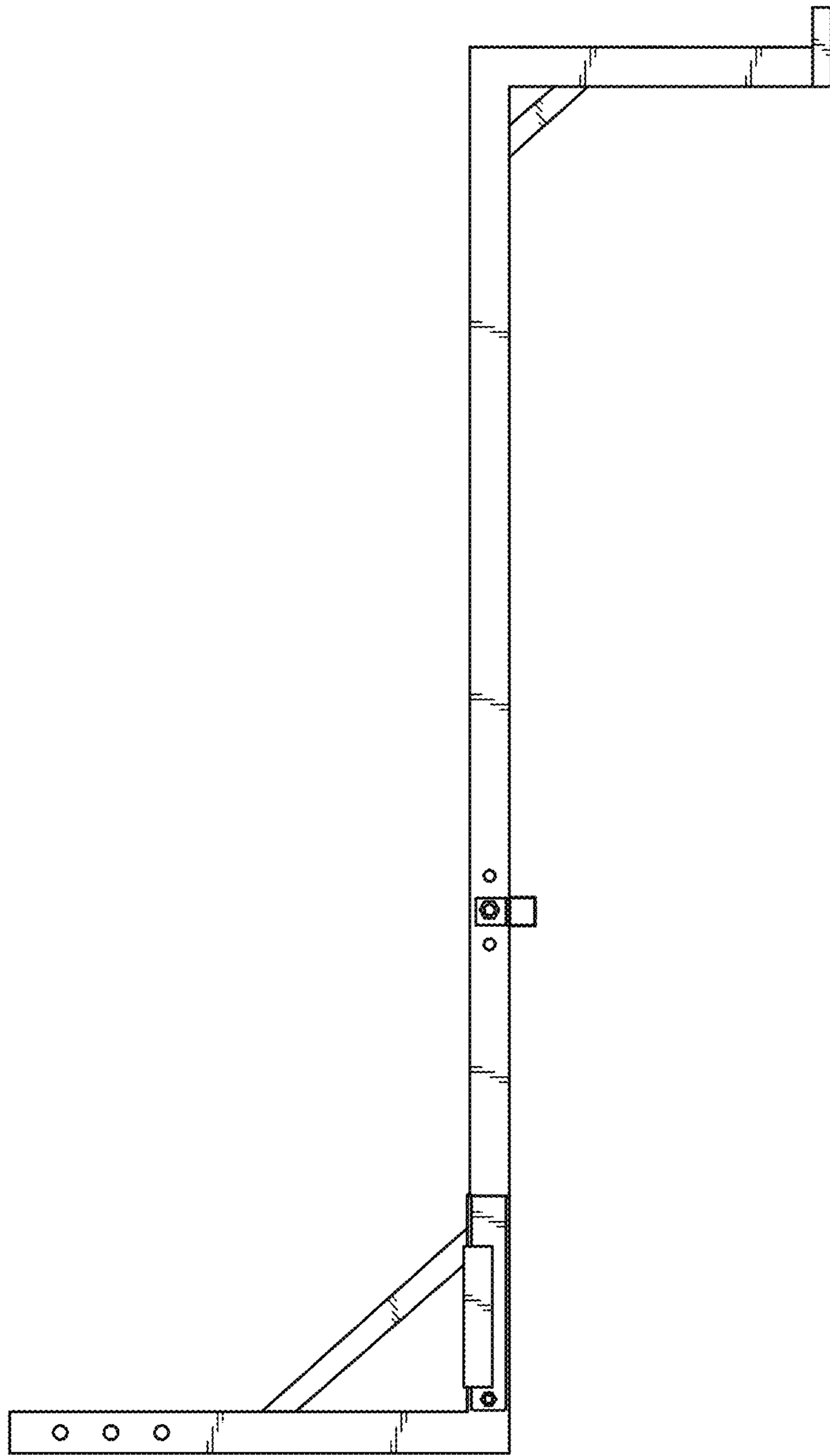


FIG. 4

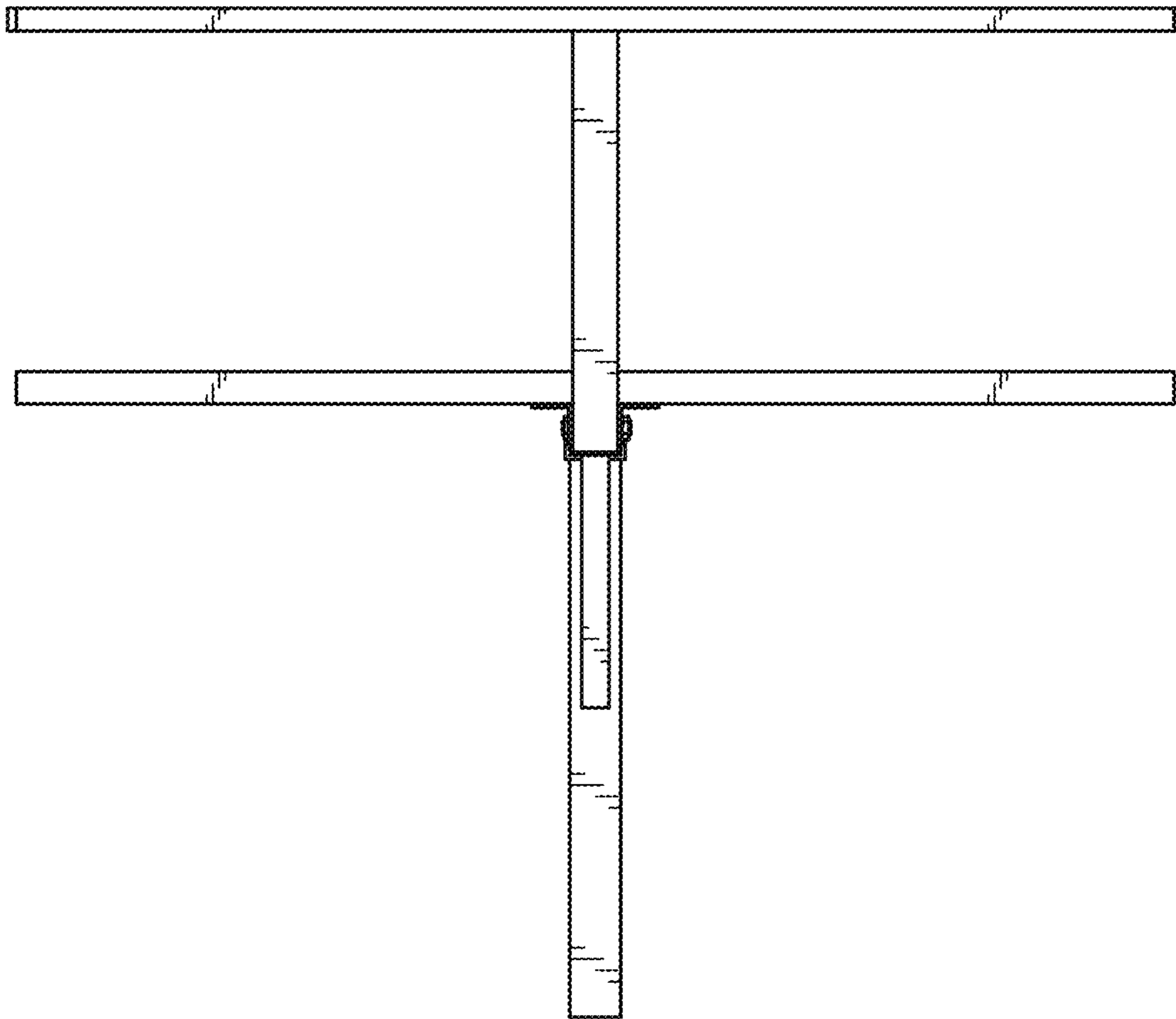


FIG. 5

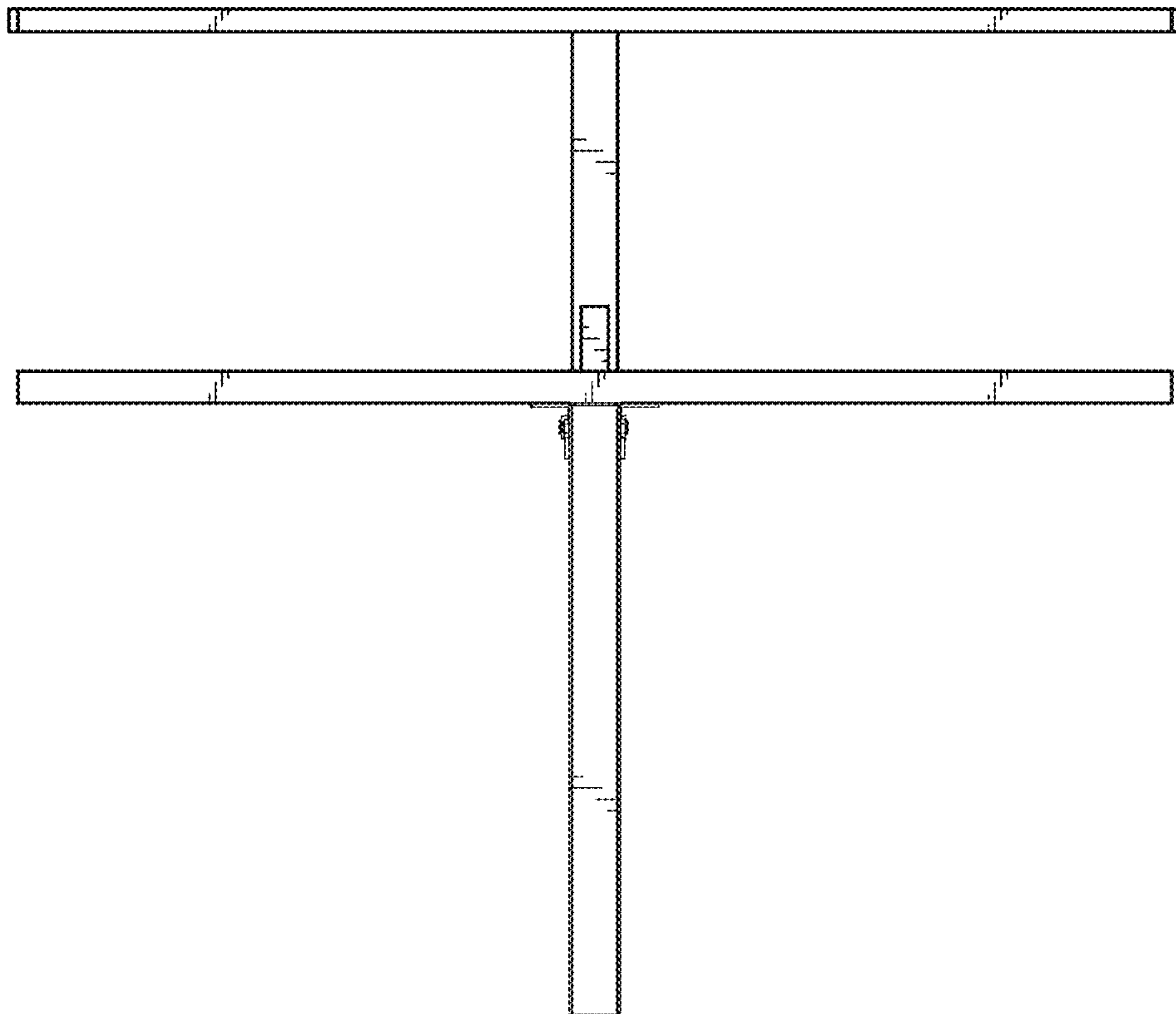


FIG. 6