



US00D784243S

(12) **United States Design Patent**
Lee et al.

(10) **Patent No.: US D784,243 S**
(45) **Date of Patent: ** Apr. 18, 2017**

(54) **CLIP FOR WINDOW WIPER OF VEHICLE**

(71) Applicants: **DY AUTO Corporation**, Asan-si,
Chungcheongnam-do (KR); **HS**
Technology CO., LTD., Incheon (KR)

(72) Inventors: **Jeong Goo Lee**, Seoul (KR); **Wi Yeong**
Park, Incheon (KR)

(73) Assignees: **DY AUTO Corporation**, Asan-si,
Chungcheongnam-do (KR); **HS**
Technology Co., LTD., Incheon (KR)

(**) Term: **15 Years**

(21) Appl. No.: **29/541,776**

(22) Filed: **Oct. 7, 2015**

(30) **Foreign Application Priority Data**

May 8, 2015 (KR) 30-2015-0023698

(51) **LOC (10) Cl.** **12-06**

(52) **U.S. Cl.**
USPC **D12/220**

(58) **Field of Classification Search**
USPC D12/219, 220
CPC B60S 2001/3815; B60S 1/4003; B60S
1/3801
See application file for complete search history.

(56) **References Cited**

U.S. PATENT DOCUMENTS

D610,518 S * 2/2010 Aglassinger D12/220
D610,519 S * 2/2010 Aglassinger D12/220

D725,021 S * 3/2015 Poton D12/220
D725,024 S * 3/2015 Poton D12/220
D725,025 S * 3/2015 Poton D12/220
D725,026 S * 3/2015 Poton D12/220
D727,238 S * 4/2015 Lepper D12/220
2014/0215747 A1 * 8/2014 Yang B60S 1/4003
15/250.32
2014/0317875 A1 * 10/2014 Tolentino B60S 1/387
15/250.32

* cited by examiner

Primary Examiner — Katrina A Betton

(74) *Attorney, Agent, or Firm* — Klarquist Sparkman,
LLP

(57) **CLAIM**

The ornamental design for clip for window wiper of vehicle,
as shown and described.

DESCRIPTION

FIG. 1 is a perspective view of clip for window wiper of vehicle showing my new design;
FIG. 2 is a front elevational view of the clip for window wiper of vehicle;
FIG. 3 is a rear elevational view of the clip for window wiper of vehicle;
FIG. 4 is a left side elevational view of the clip for window wiper of vehicle;
FIG. 5 is a right side elevational view of the clip for window wiper of vehicle;
FIG. 6 is a plan view of the clip for window wiper of vehicle;
and,
FIG. 7 is a bottom view of the clip for window wiper of vehicle.

1 Claim, 4 Drawing Sheets

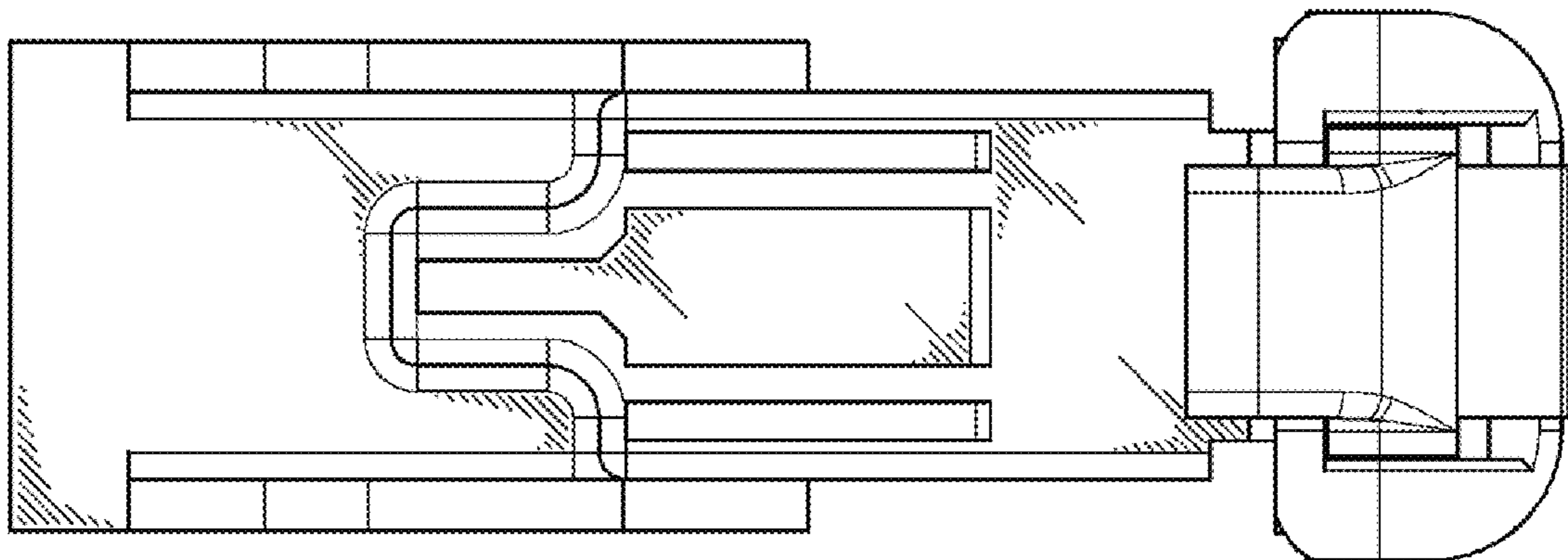


FIG. 1

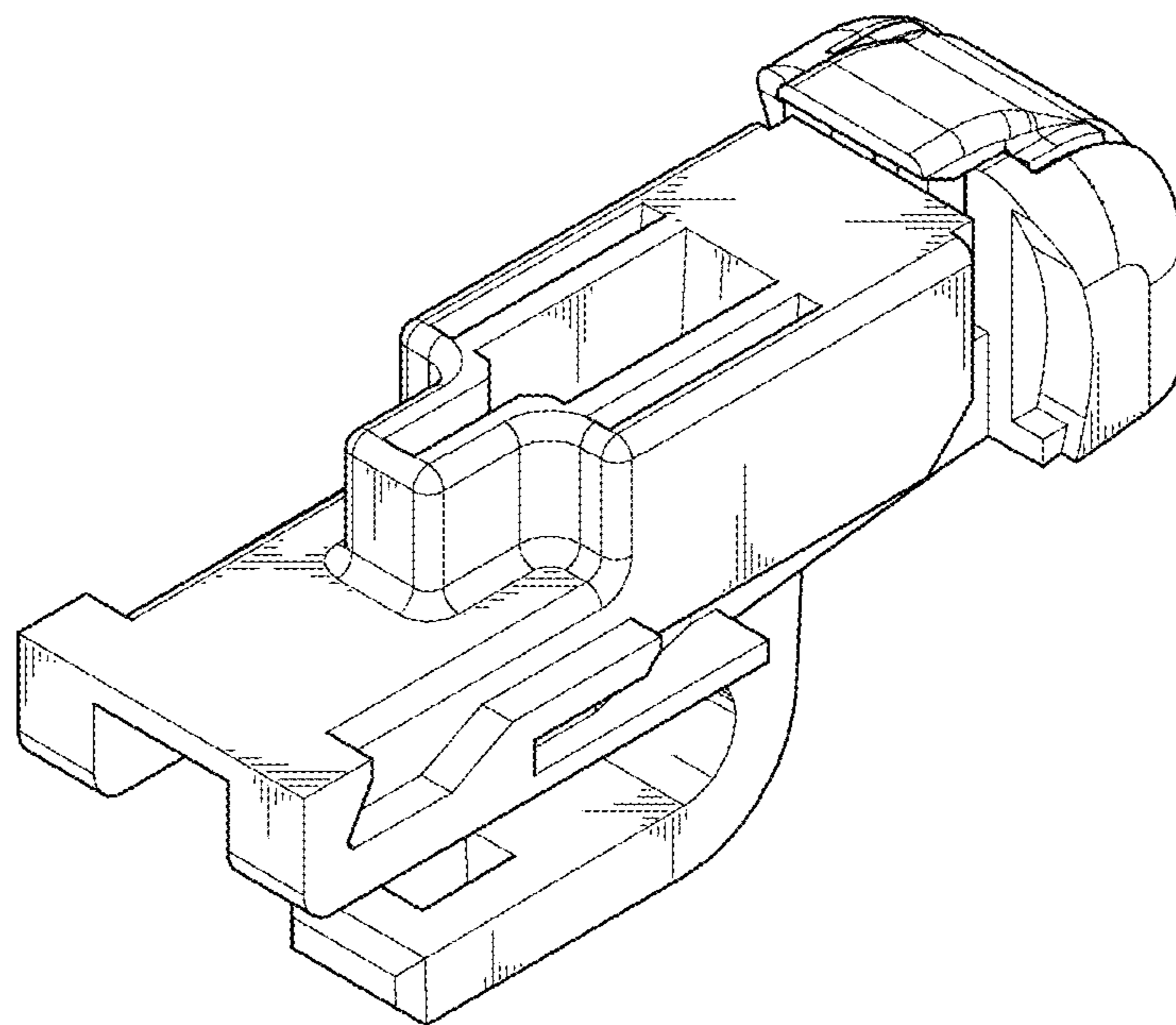


FIG. 2

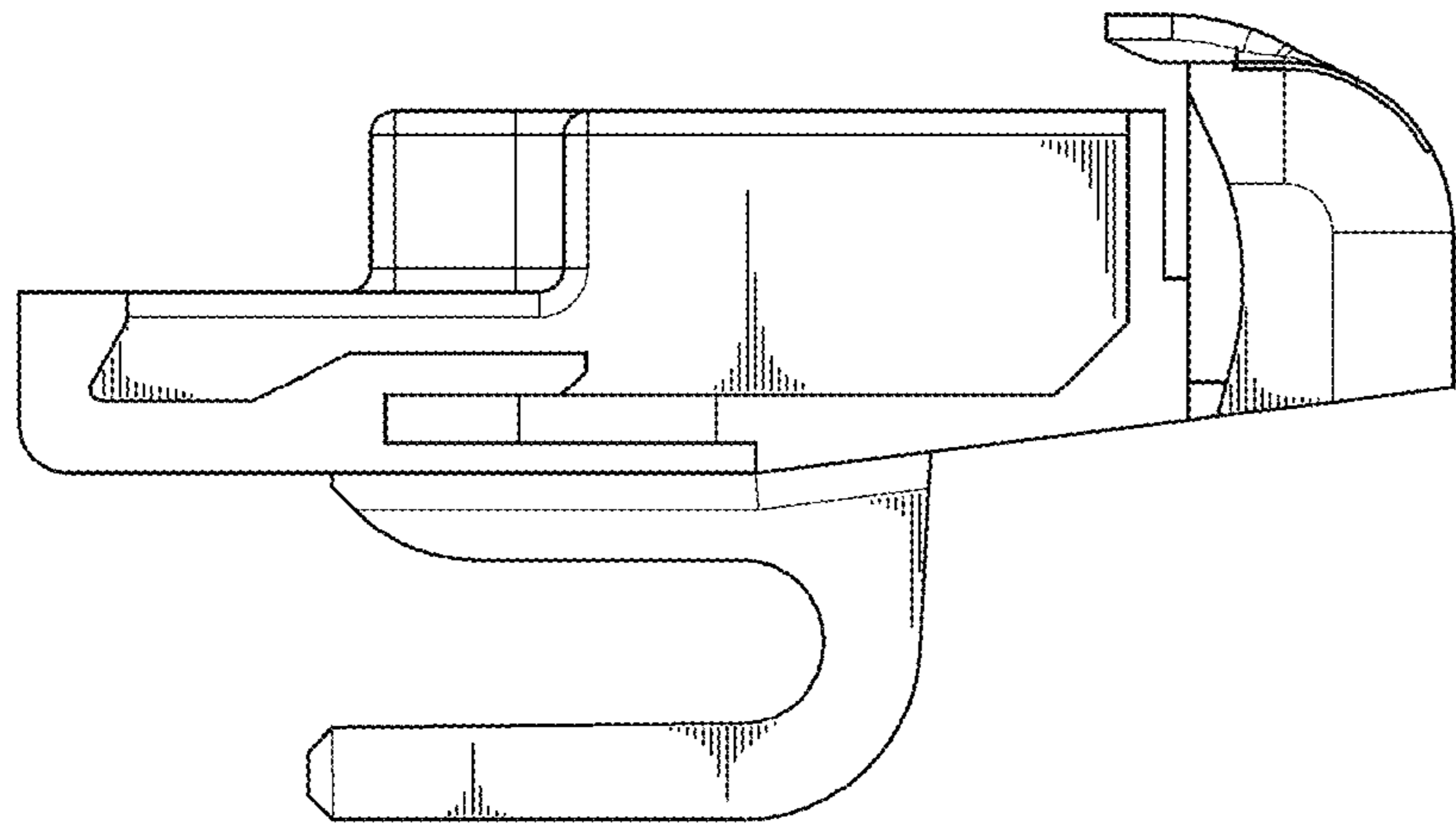


FIG. 3

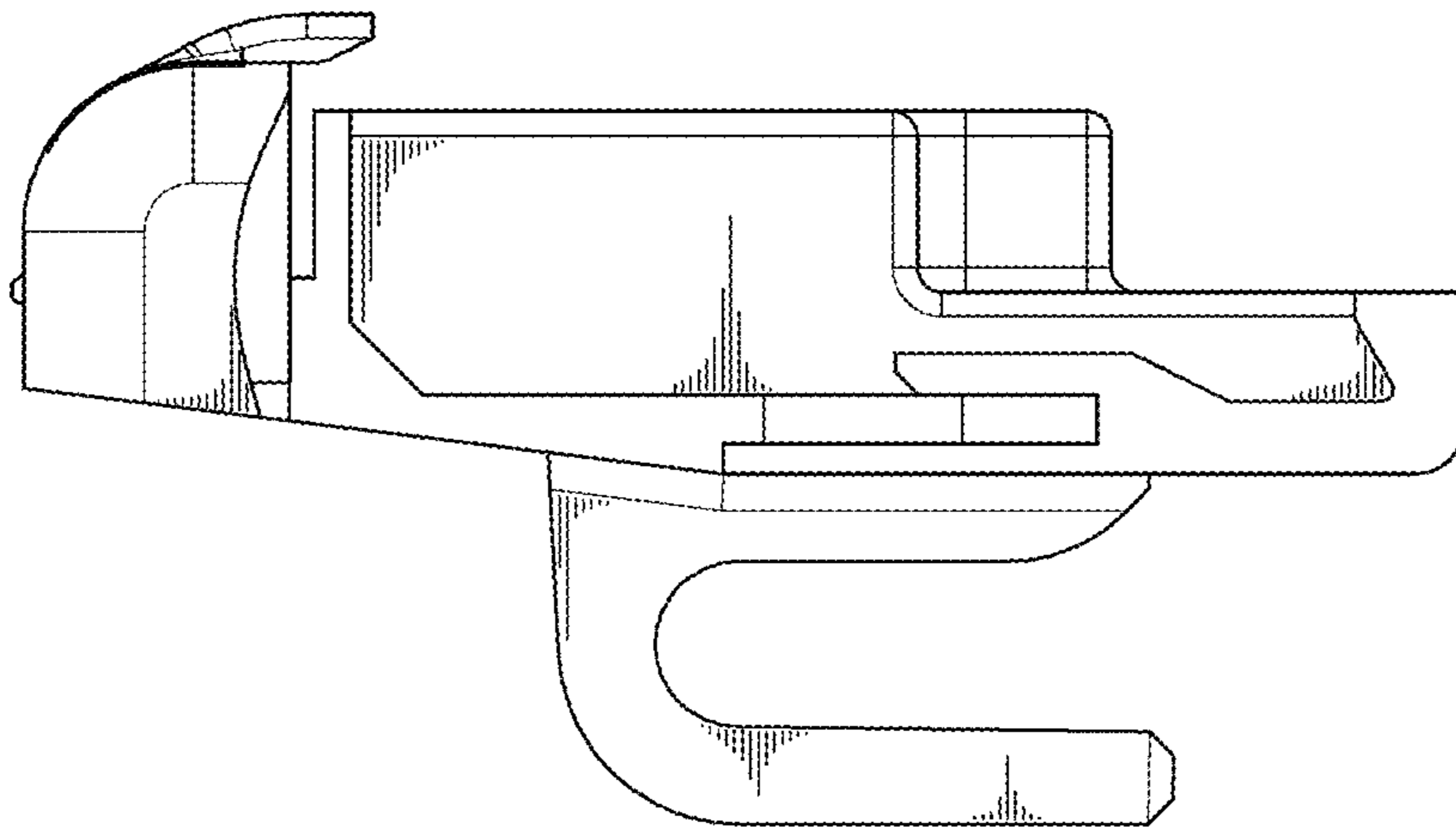


FIG. 4

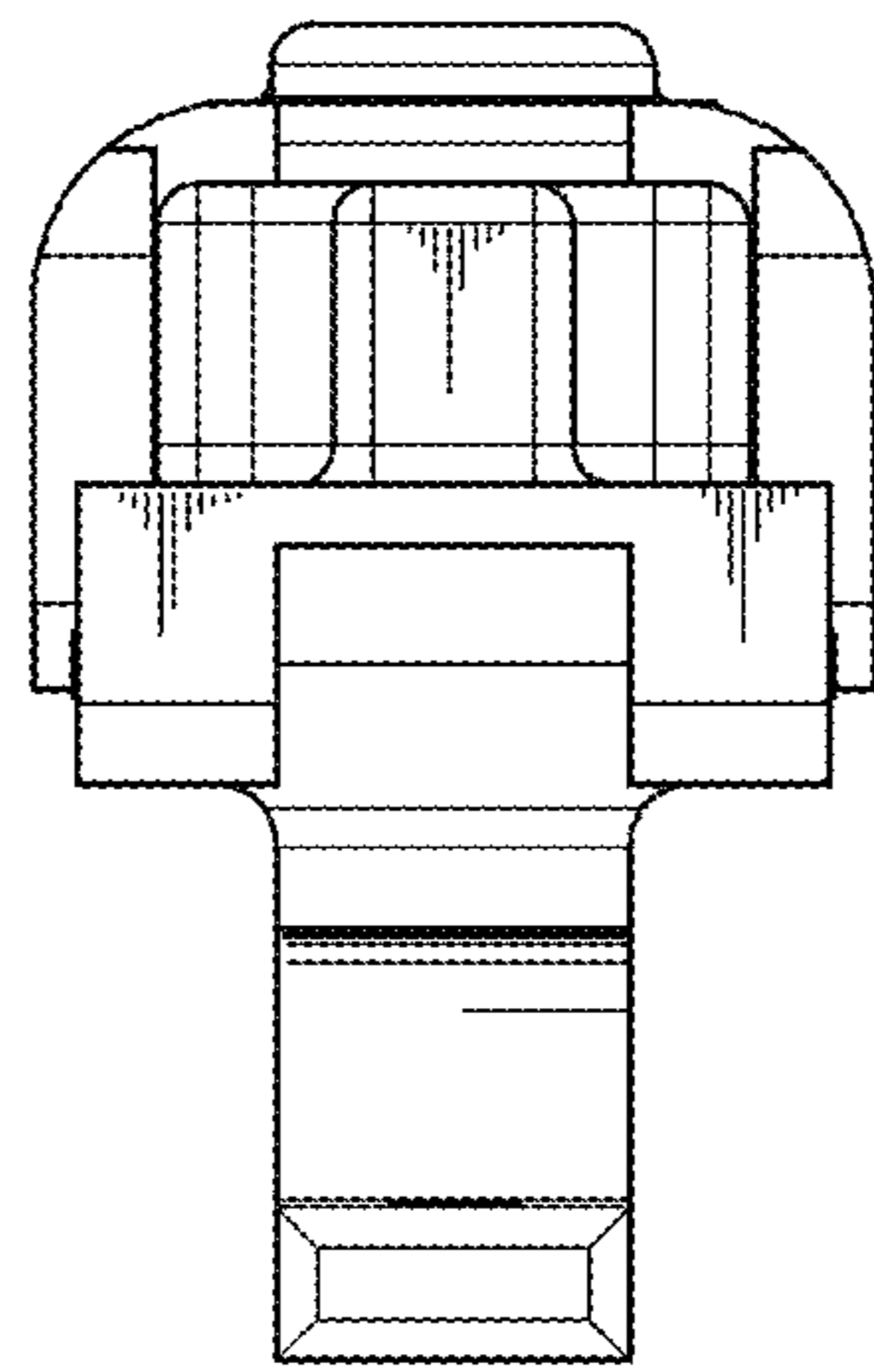


FIG. 5

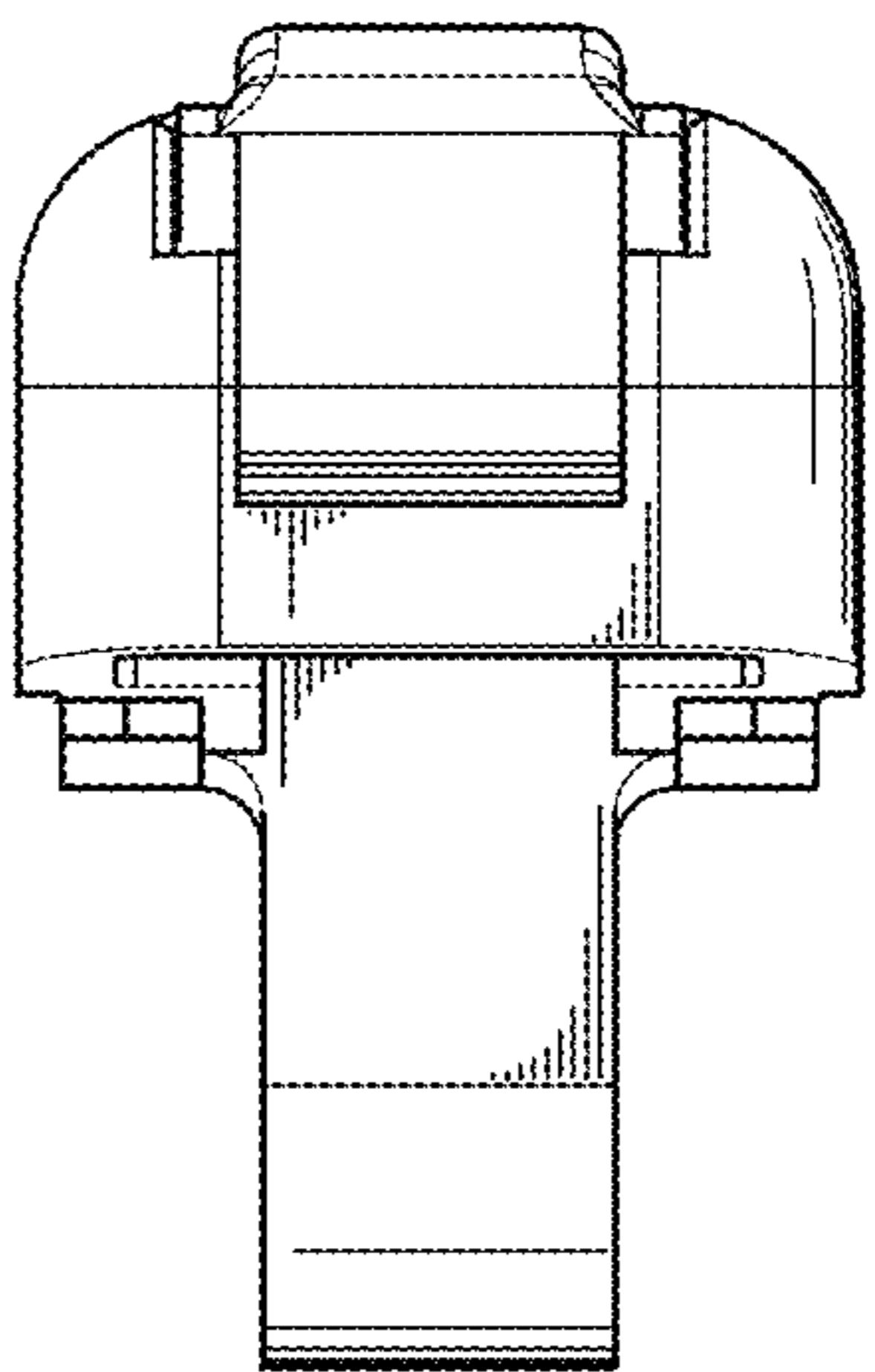


FIG. 6

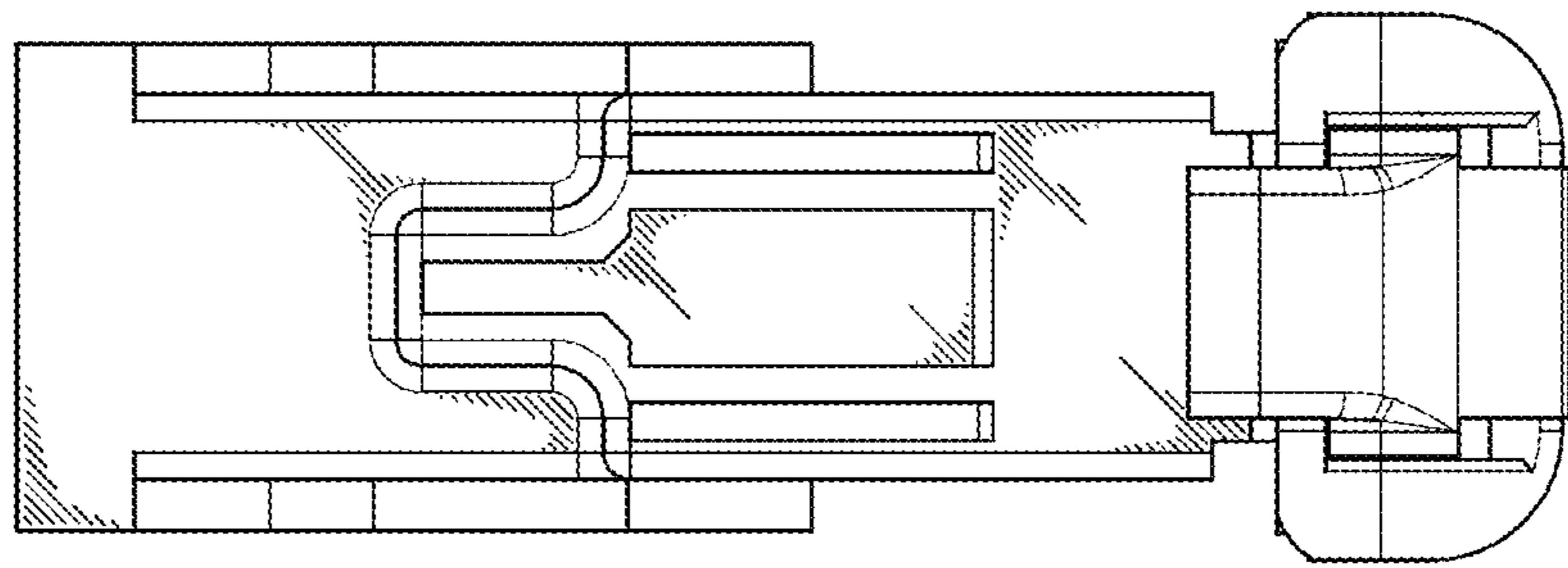


FIG. 7

