



US00D784242S

(12) **United States Design Patent** (10) **Patent No.:** **US D784,242 S**
Lee et al. (45) **Date of Patent:** **** Apr. 18, 2017**

(54) **WINDOW WIPER FOR VEHICLE**
(71) Applicants: **DY AUTO Corporation**, Asan-si, Chungcheongnam-do (KR); **HS Technology CO., LTD.**, Incheon (KR)
(72) Inventors: **Jeong Goo Lee**, Seoul (KR); **Wi Yeong Park**, Incheon (KR)
(73) Assignees: **DY AUTO Corporation**, Asan-si, Chungcheongnam-do (KR); **HS Technology CO., LTD.**, Incheon (KR)

Primary Examiner — Katrina A Betton
(74) *Attorney, Agent, or Firm* — Klarquist Sparkman, LLP

(**) Term: **15 Years**

(57) **CLAIM**

The ornamental design for window wiper for vehicle, as shown and described.

(21) Appl. No.: **29/541,664**

DESCRIPTION

(22) Filed: **Oct. 6, 2015**

(30) **Foreign Application Priority Data**

May 8, 2015 (KR) 30-2015-0023697

(51) **LOC (10) Cl.** **12-06**

(52) **U.S. Cl.**
USPC **D12/220**

(58) **Field of Classification Search**
USPC D12/219, 220
CPC B60S 2001/3815; B60S 1/4003; B60S 1/3801
See application file for complete search history.

FIG. 1 is a perspective view of window wiper for vehicle showing my new design;
FIG. 2 is a front elevational view of the window wiper for vehicle;
FIG. 3 is a rear elevational view of the window wiper for vehicle;
FIG. 4 is a left side elevational view of the window wiper for vehicle;
FIG. 5 is a right side elevational view of the window wiper for vehicle;
FIG. 6 is a plan view of the window wiper for vehicle;
FIG. 7 is a bottom view of the window wiper for vehicle;
FIG. 8 is a close-up view of the window wiper for vehicle as shown in FIG. 1;
FIG. 9 is a close-up view of the window wiper for vehicle as shown in FIG. 2;
FIG. 10 is a close-up view of the window wiper for vehicle as shown in FIG. 3;
FIG. 11 is a close-up view of the window wiper for vehicle as shown in FIG. 4;
FIG. 12 is a close-up view of the window wiper for vehicle as shown in FIG. 5; and,
FIG. 13 is a close-up view of the window wiper for vehicle as shown in FIG. 6.
The matter delineated in broken lines forms no part of the claimed ornamental design.

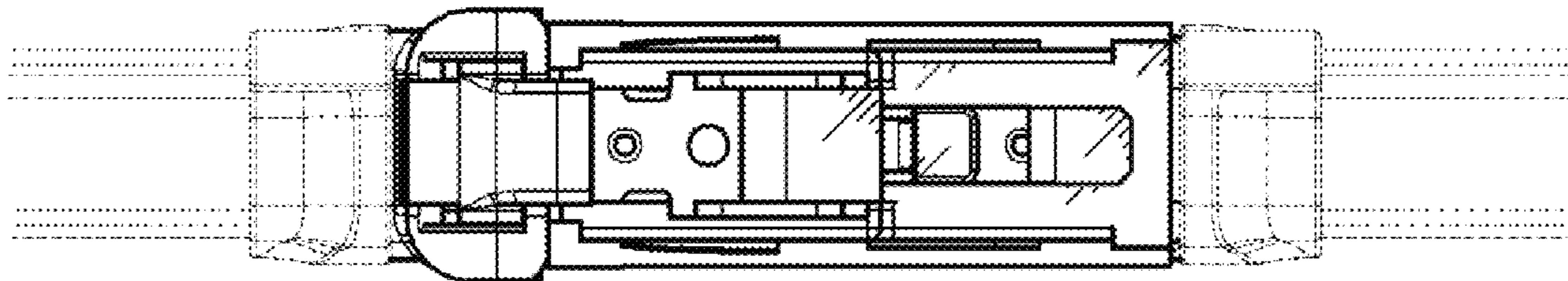
(56) **References Cited**

U.S. PATENT DOCUMENTS

| | | | | |
|-------------------|--------|-------------|-------|--------------------------|
| D610,518 S * | 2/2010 | Aglassinger | | D12/220 |
| D610,519 S * | 2/2010 | Aglassinger | | D12/220 |
| D725,021 S * | 3/2015 | Poton | | D12/220 |
| D725,024 S * | 3/2015 | Poton | | D12/220 |
| D725,025 S * | 3/2015 | Poton | | D12/220 |
| D725,026 S * | 3/2015 | Poton | | D12/220 |
| D727,238 S * | 4/2015 | Lepper | | D12/220 |
| 2014/0215747 A1 * | 8/2014 | Yang | | B60S 1/4003 15/250.32 |

(Continued)

1 Claim, 8 Drawing Sheets



(56)

References Cited

U.S. PATENT DOCUMENTS

2014/0317875 A1* 10/2014 Tolentino B60S 1/387
15/250.32

* cited by examiner

FIG. 1

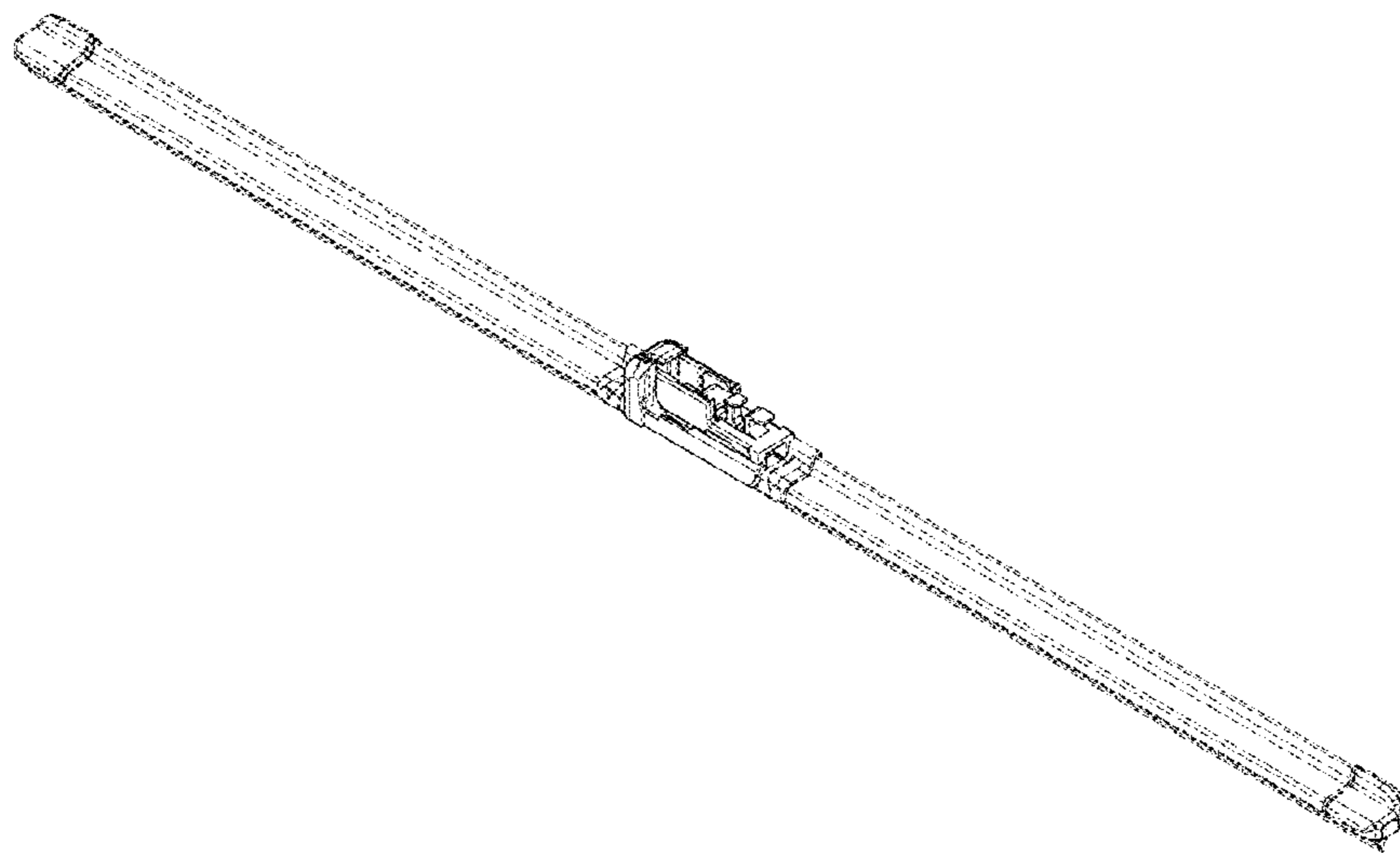


FIG. 2

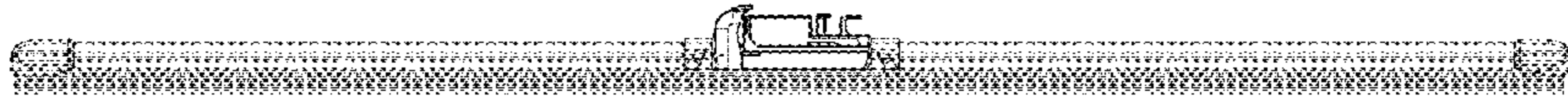


FIG. 3



FIG. 4



FIG. 5



FIG. 6



FIG. 7



FIG. 8

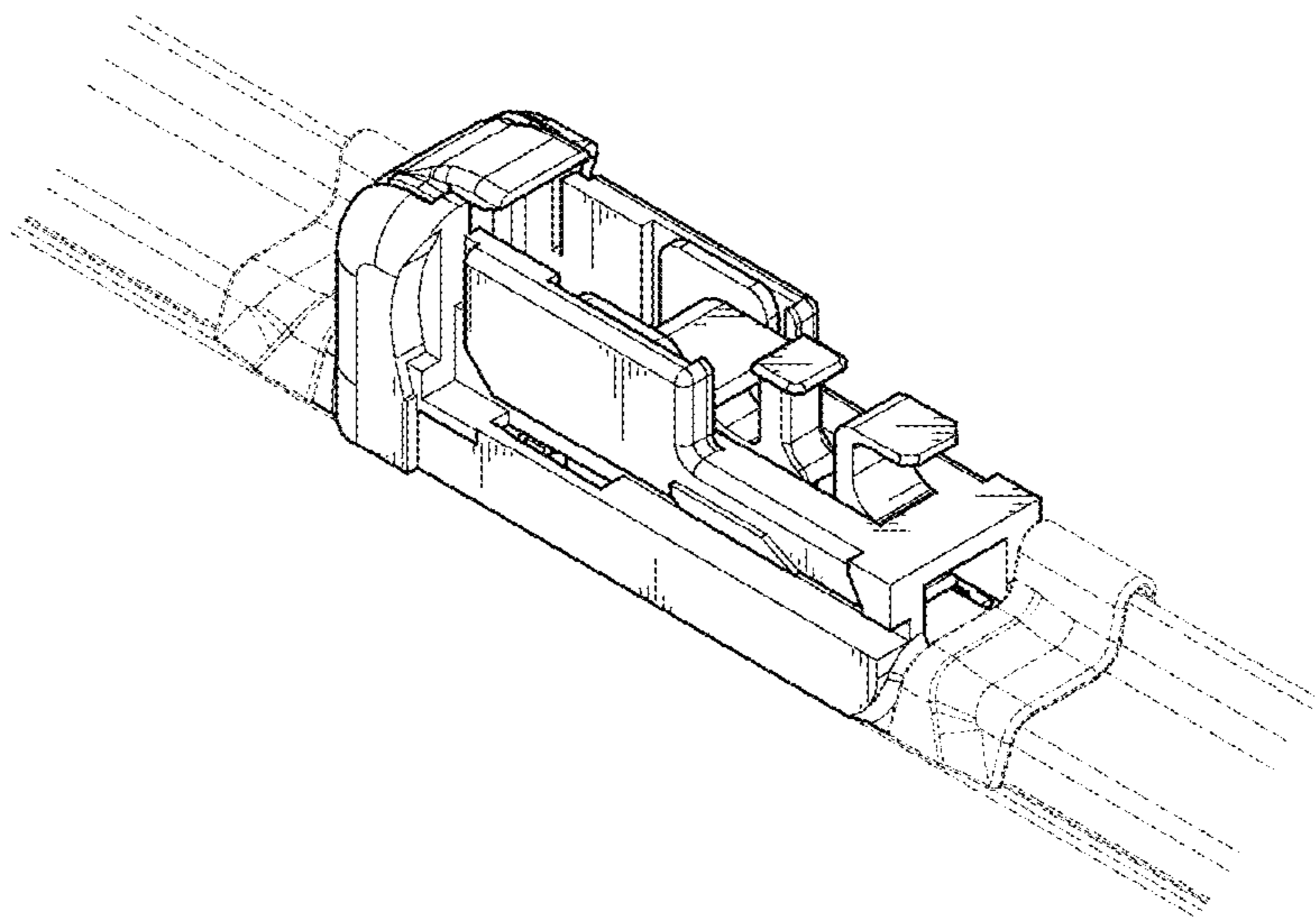


FIG. 9

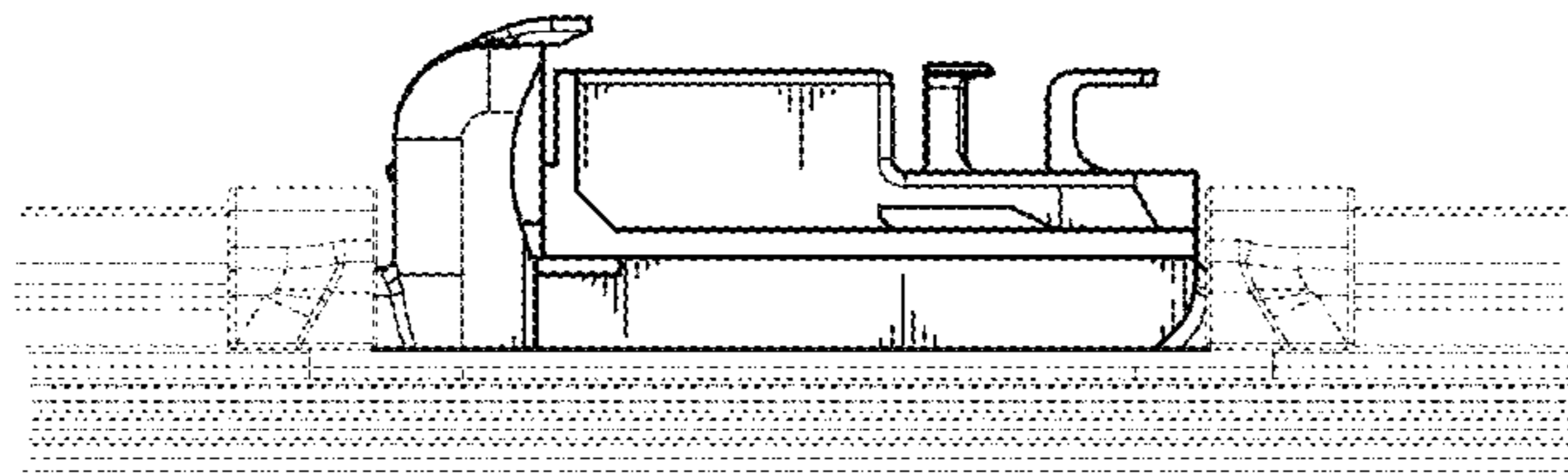


FIG. 10

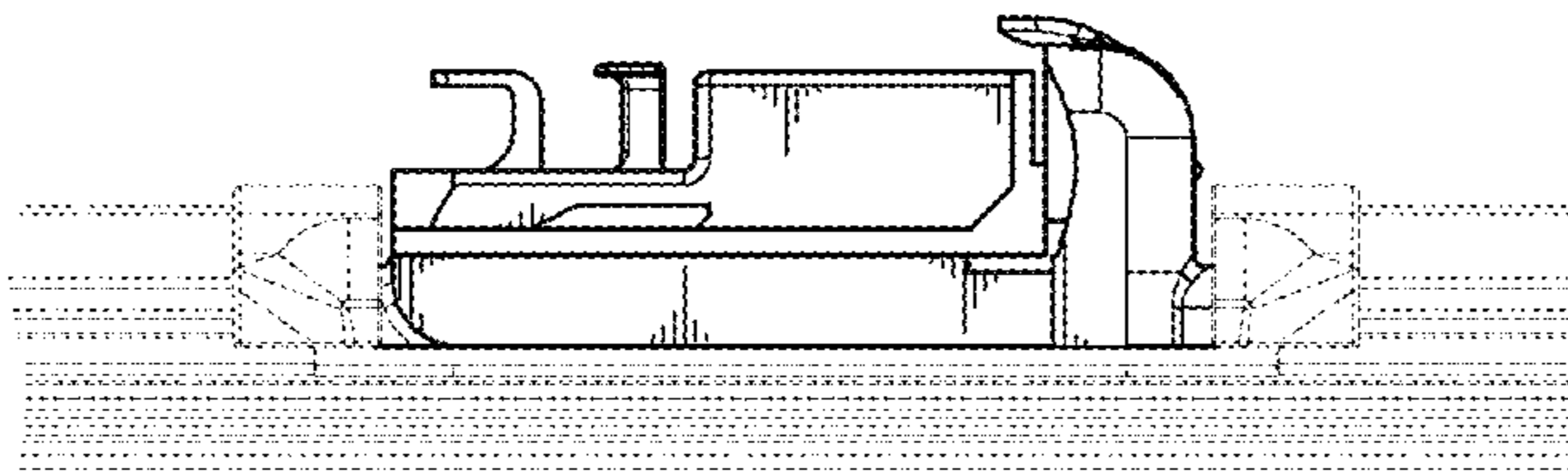


FIG. 11

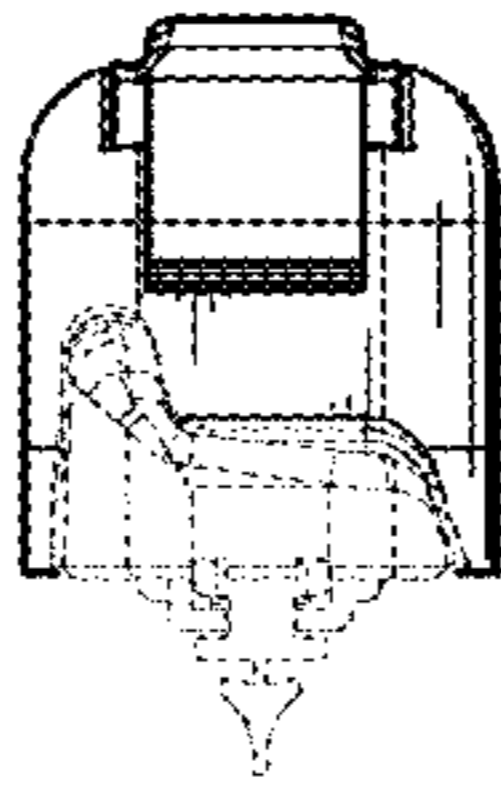


FIG. 12

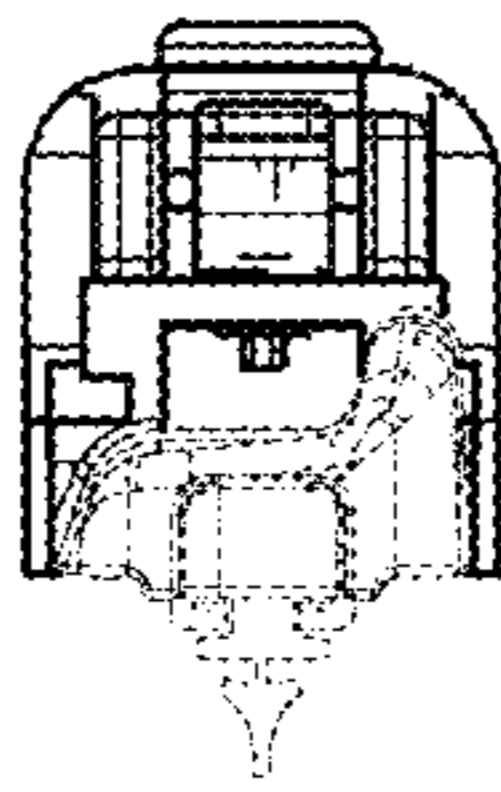


FIG. 13

