



US00D784241S

(12) **United States Design Patent**  
**Park et al.**

(10) **Patent No.:** **US D784,241 S**

(45) **Date of Patent:** **\*\* Apr. 18, 2017**

(54) **WINDOW WIPER FOR VEHICLE**  
(71) Applicant: **DY AUTO Corporation**, Asan-si,  
Chungcheongnam-do (KR)  
(72) Inventors: **Wi Yeong Park**, Incheon (KR); **Kun**  
**Woo Chung**, Incheon (KR)  
(73) Assignee: **DY AUTO Corporation**, Asan-si,  
Chungcheongnam-do (KR)

D716,714 S \* 11/2014 Kim ..... D12/219  
9,145,111 B2 \* 9/2015 Lee ..... B60S 1/3801  
D740,737 S \* 10/2015 Hyun ..... D12/219  
9,174,609 B2 \* 11/2015 Tolentino ..... B60S 1/0491  
9,457,768 B2 \* 10/2016 Tolentino ..... B60S 1/3863  
2013/0227810 A1 \* 9/2013 Tolentino ..... B60S 1/4003  
15/250.32  
2014/0123429 A1 \* 5/2014 Lee ..... B60S 1/3801  
15/250.201

(\*\*) Term: **15 Years**  
(21) Appl. No.: **29/534,571**

\* cited by examiner

*Primary Examiner* — Katrina A Betton  
(74) *Attorney, Agent, or Firm* — Klarquist Sparkman,  
LLP

(22) Filed: **Jul. 29, 2015**

(57) **CLAIM**

The ornamental design for window wiper for vehicle, as shown and described.

(30) **Foreign Application Priority Data**

**DESCRIPTION**

Feb. 5, 2015 (KR) ..... 30-2015-0006372

(51) **LOC (10) Cl.** ..... **12-06**

(52) **U.S. Cl.**  
USPC ..... **D12/219**

(58) **Field of Classification Search**  
USPC ..... D12/219, 220  
CPC ..... B60S 2001/3815; B60S 1/4003; B60S  
1/3801  
See application file for complete search history.

FIG. 1 is a top perspective view of a window wiper for vehicle showing my new design;  
FIG. 2 is a front elevational view of the window wiper for vehicle;  
FIG. 3 is a rear elevational view of the window wiper for vehicle;  
FIG. 4 is a left side elevational view of the window wiper for vehicle;  
FIG. 5 is a right side elevational view of the window wiper for vehicle;  
FIG. 6 is a top plan view of the window wiper for vehicle; and,  
FIG. 7 is a bottom plan view of the window wiper for vehicle.

(56) **References Cited**

**U.S. PATENT DOCUMENTS**

D702,175 S \* 4/2014 Kim ..... D12/219  
D704,126 S \* 5/2014 Avasiloaie ..... D12/219  
D704,618 S \* 5/2014 Ehde ..... D12/219  
D712,337 S \* 9/2014 An ..... D12/219

**1 Claim, 2 Drawing Sheets**

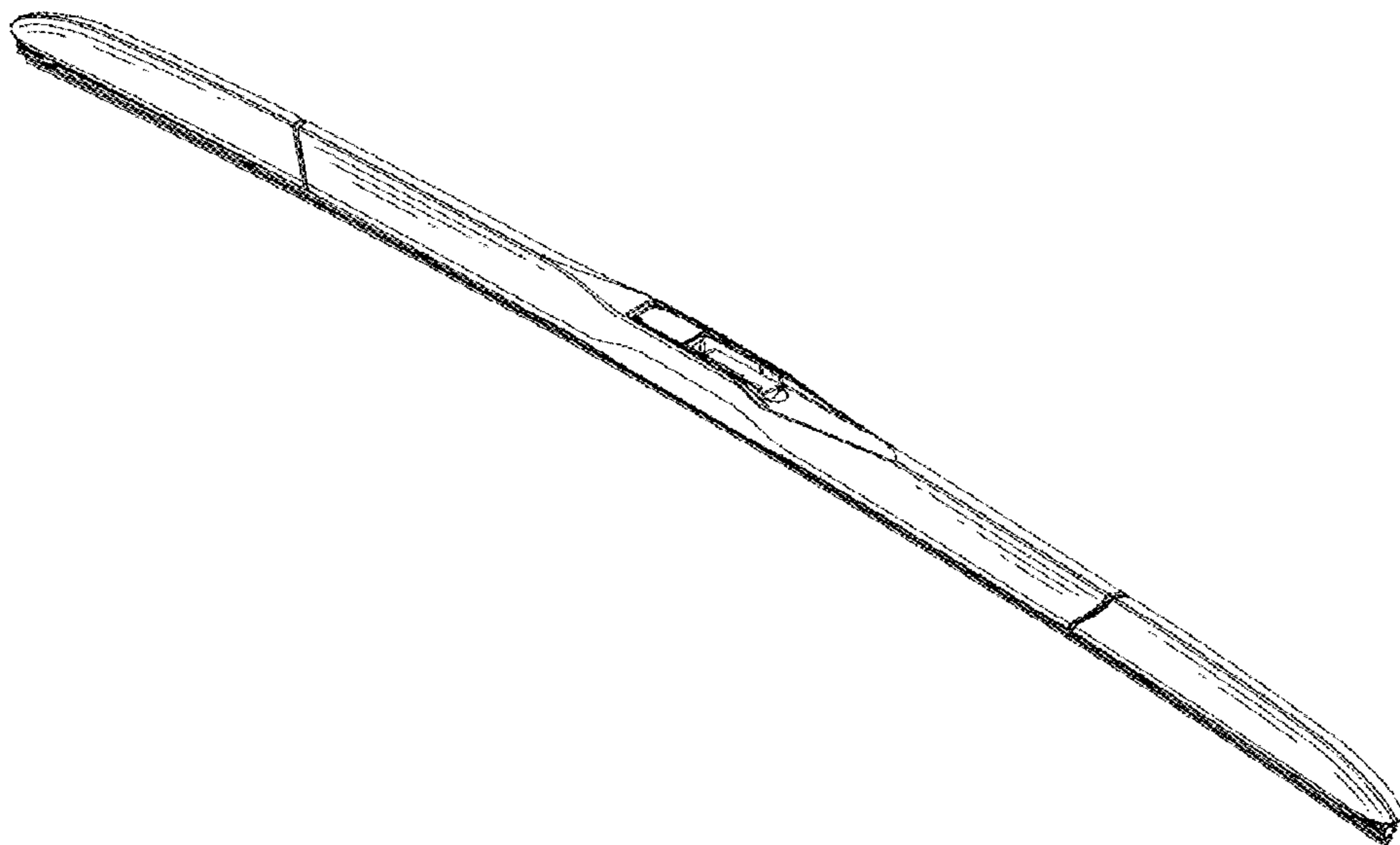


FIG. 1

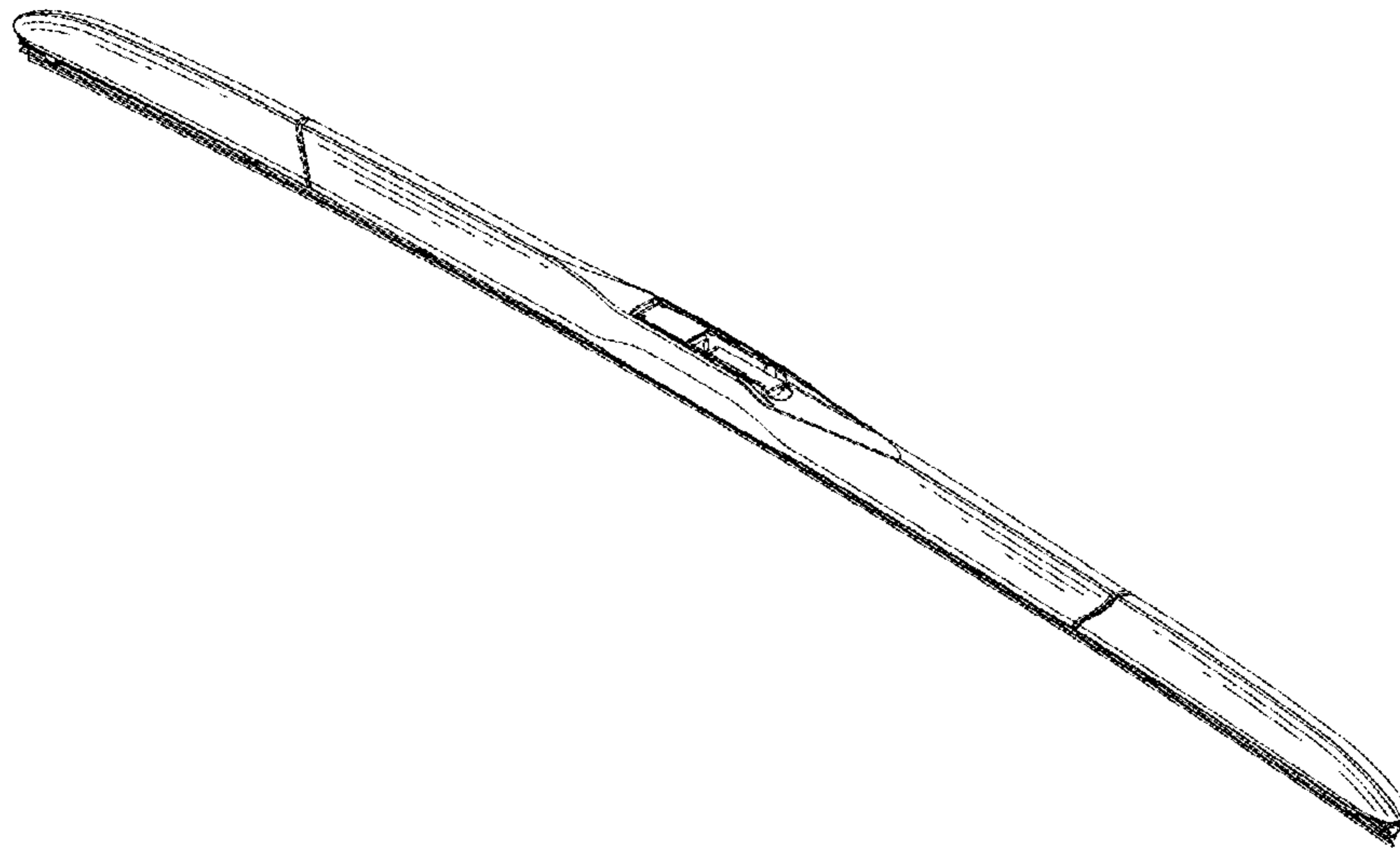


FIG. 2

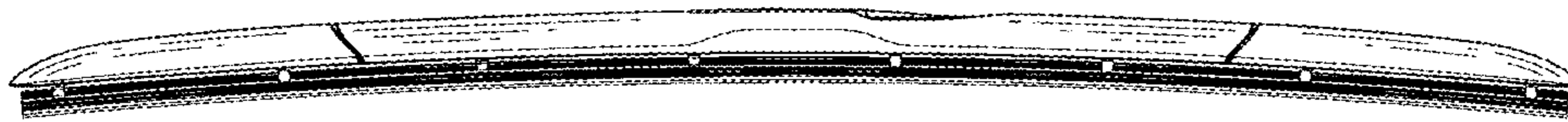


FIG. 3



FIG. 4



FIG. 5



FIG. 6

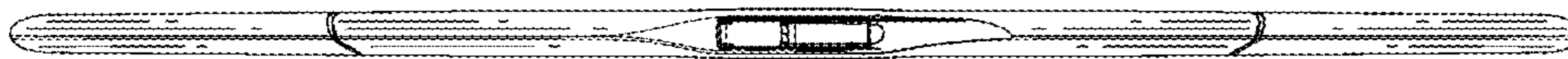


FIG. 7

