



US00D784238S

(12) **United States Design Patent**
Chu et al.

(10) **Patent No.:** **US D784,238 S**
(45) **Date of Patent:** **** Apr. 18, 2017**

(54) **WHEEL OR WHEEL COVER**
(71) Applicant: **Daimler AG**, Stuttgart (DE)

D754,052 S * 4/2016 Juergens D12/211
D757,627 S * 5/2016 Chung D12/211
D758,274 S * 6/2016 Breyton D12/209
D760,142 S * 6/2016 Chu D12/211

(72) Inventors: **Edgar Chu**, Stuttgart (DE); **Bernhard Hans**, Kirchberg (DE)

(73) Assignee: **Daimler AG**, Stuttgart (DE)

(**) Term: **15 Years**

(21) Appl. No.: **29/543,746**

(22) Filed: **Oct. 28, 2015**

(30) **Foreign Application Priority Data**

Apr. 29, 2015 (EM) 002691410-0003

(51) **LOC (10) Cl.** **12-16**

(52) **U.S. Cl.**
USPC **D12/211**

(58) **Field of Classification Search**
USPC D12/204, 205, 206, 207, 208, 209, 210,
D12/211, 212, 213

CPC B60B 7/00; B60B 7/01; B60B 7/02; B60B
7/04; B60B 7/06; B60B 3/02; B60B 3/04;
B60B 3/06; B60B 3/10; B60B 1/00;
B60B 1/08; B60B 1/10; B60B 1/12

See application file for complete search history.

(56) **References Cited**

U.S. PATENT DOCUMENTS

D398,898 S * 9/1998 Baumgartner D12/211
D470,747 S * 2/2003 Chi D12/204
D726,084 S * 4/2015 Chu D12/204
D727,827 S * 4/2015 Chung D12/211
D749,485 S * 2/2016 Gallert D12/211

OTHER PUBLICATIONS

<http://techdrive.co/ford-focus-rs-pricing-options-leaked>—Published Jul. 29, 2015.*

<http://www.ebay.com/itm/18-Miro-Type-111-Wheels-For-VW-Jetta-GTI-Golf-Beetle-5X100-18X8-5-Inch-Rims-Set-/401170471459>—Downloaded Aug. 26, 2016.*

* cited by examiner

Primary Examiner — Manpreet Matharu

Assistant Examiner — Mojtaba Tehrani

(74) *Attorney, Agent, or Firm* — Crowell & Moring LLP

(57) **CLAIM**

The ornamental design for a wheel or wheel cover, as shown and described.

DESCRIPTION

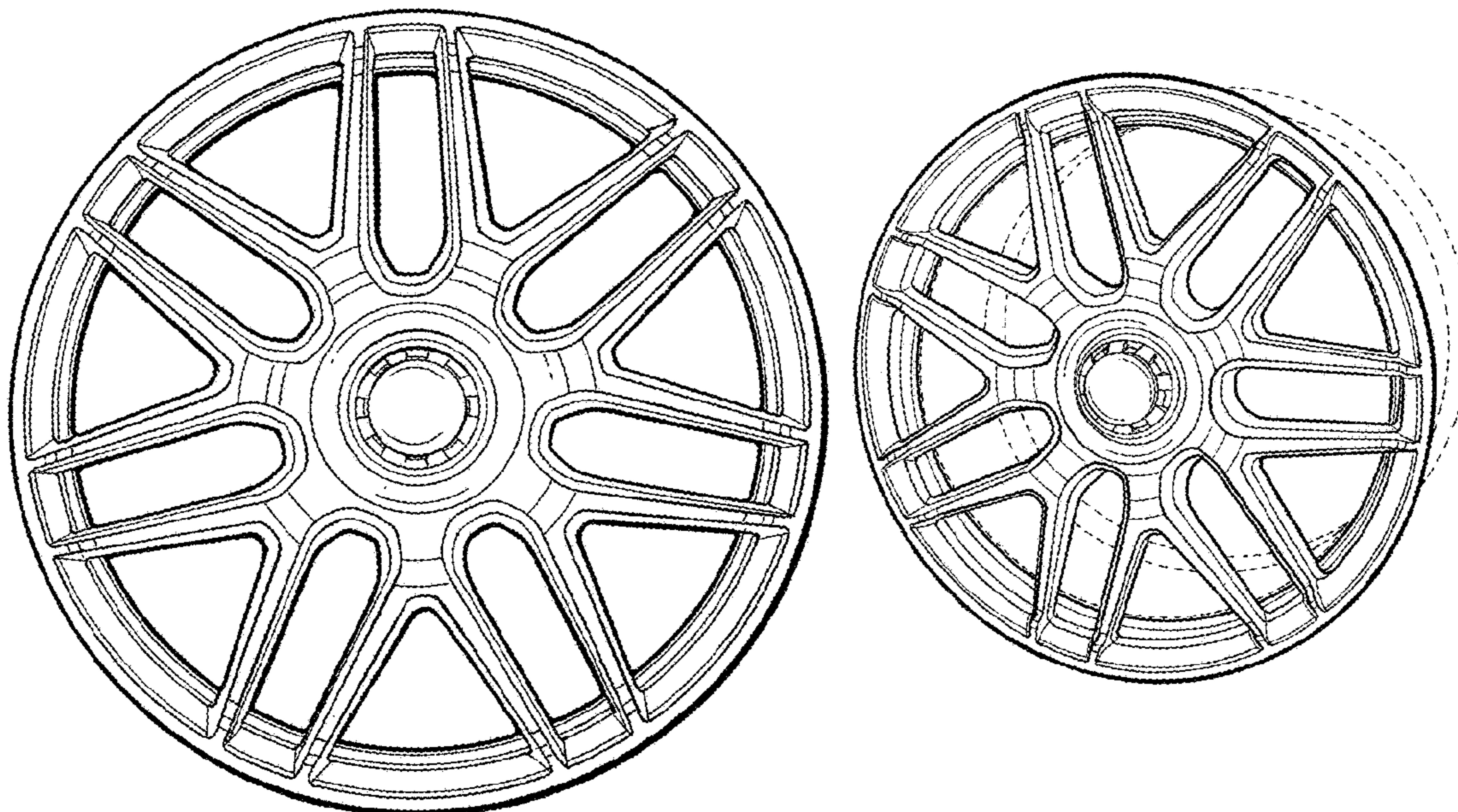
This application contains subject matter related to the following co-pending U.S. design patent application: Application Ser. No. 29/528,496, filed May 29, 2015 and entitled “Wheel or Wheel Cover.”

FIG. 1 is a front view of a wheel or wheel cover showing our new design; and,

FIG. 2 is a perspective view thereof.

The broken lines in the drawing figures represent unclaimed environment only and form no part of the claimed design.

1 Claim, 2 Drawing Sheets



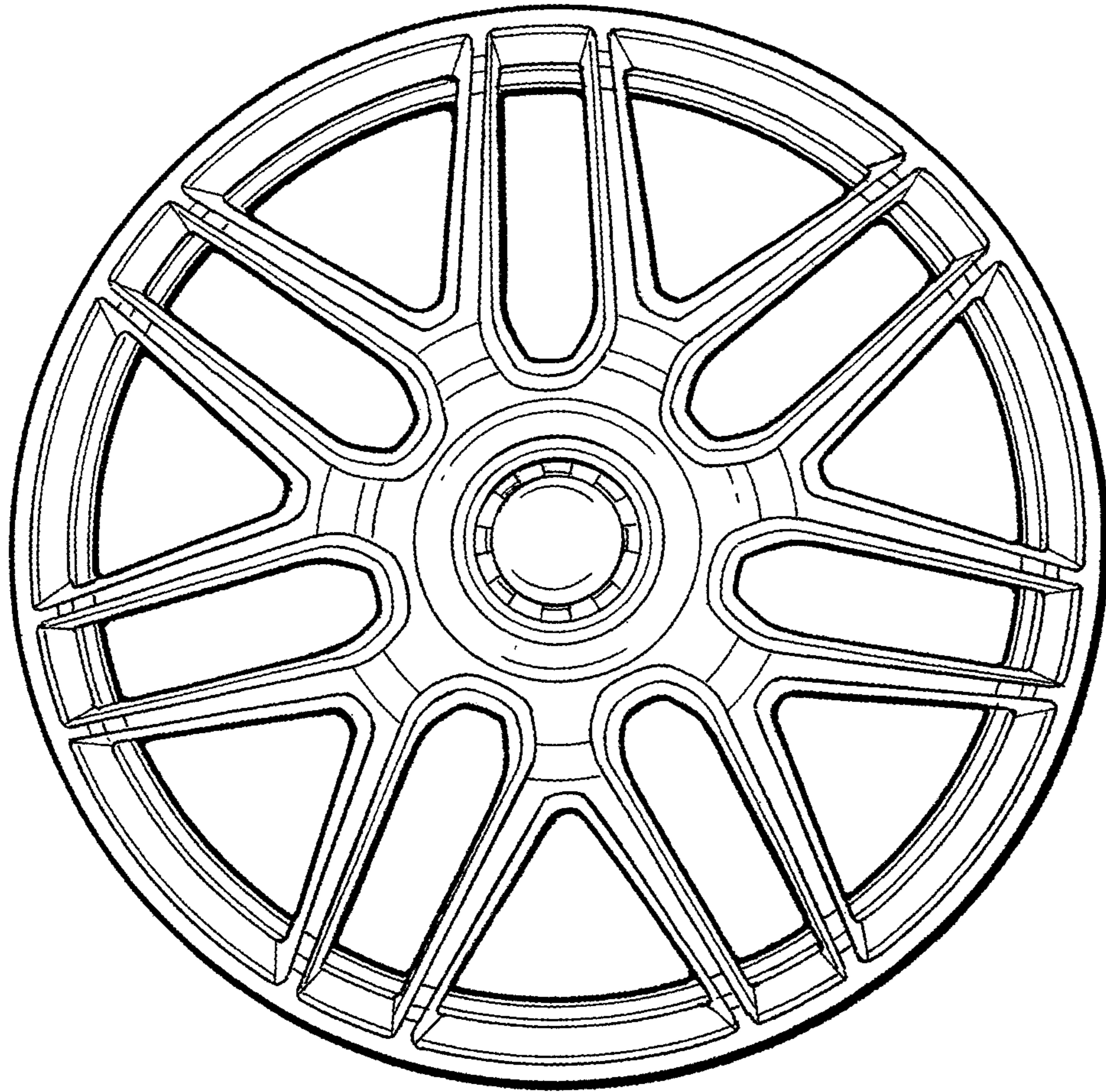


FIG. 1

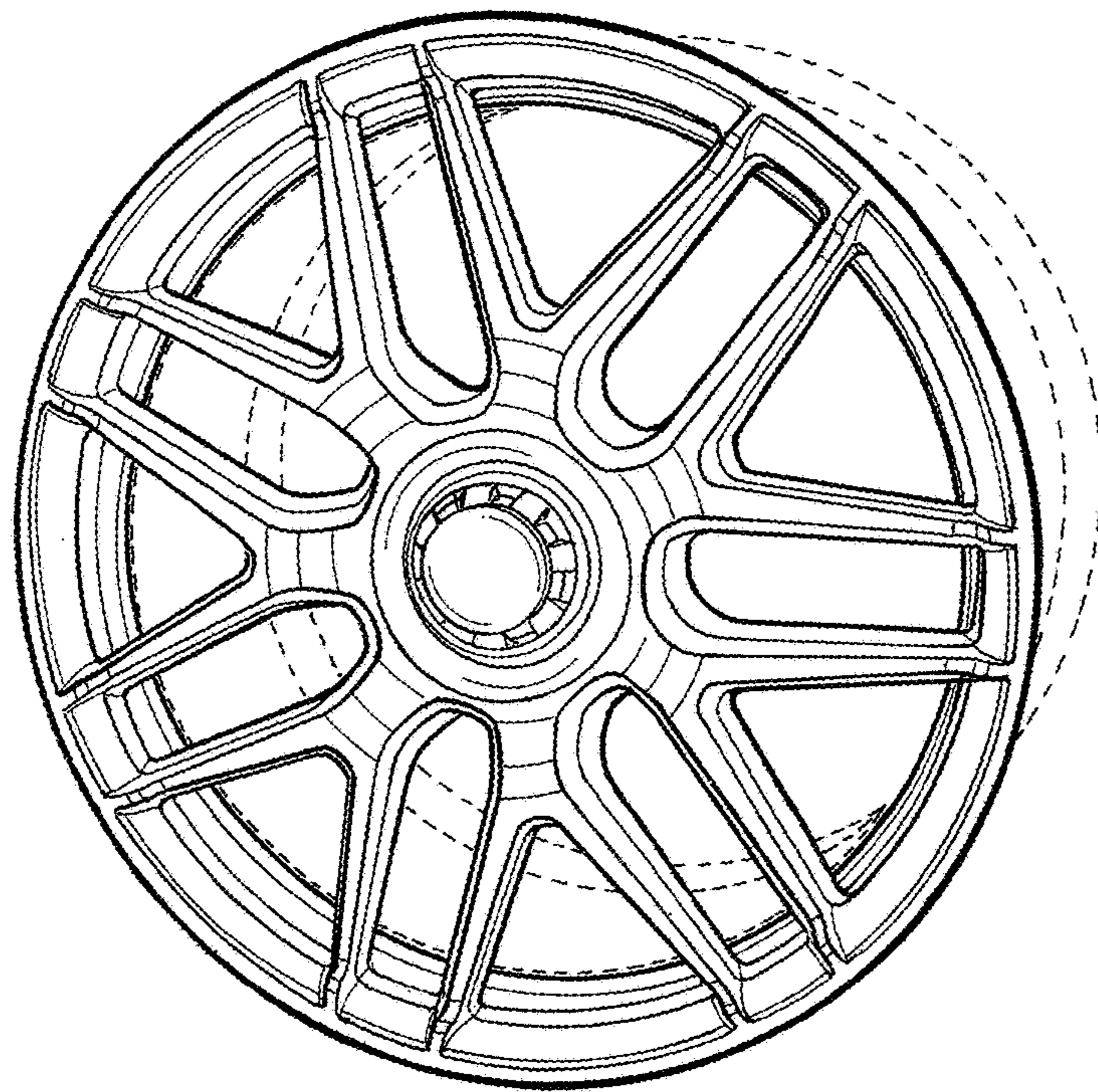


FIG. 2