



US00D784237S

(12) **United States Design Patent**  
**Platto et al.**

(10) **Patent No.:** **US D784,237 S**  
(45) **Date of Patent:** **\*\* Apr. 18, 2017**

(54) **VEHICLE WHEEL**

(71) Applicant: **Ford Motor Company**, Dearborn, MI (US)

(72) Inventors: **Gordon Platto**, Troy, MI (US); **Sean Tant**, Livonia, MI (US); **Dong Park**, Beverly Hills, MI (US)

(73) Assignee: **Ford Motor Company**, Dearborn, MI (US)

(\*\*) Term: **15 Years**

(21) Appl. No.: **29/537,792**

(22) Filed: **Aug. 28, 2015**

(51) **LOC (10) Cl.** ..... **12-16**

(52) **U.S. Cl.**  
USPC ..... **D12/211**

(58) **Field of Classification Search**  
USPC ..... D12/204–213  
CPC .... B60B 7/00; B60B 7/02; B60B 7/04; B60B 7/01; B60B 7/06; B60B 3/02; B60B 3/04; B60B 3/06; B60B 3/10; B60B 1/00; B60B 1/08; B60B 1/10; B60B 1/12  
See application file for complete search history.

(56) **References Cited**

**U.S. PATENT DOCUMENTS**

D238,421 S \* 1/1976 Wittine ..... D12/211  
D440,534 S \* 4/2001 Ivanova ..... D12/211

D454,531 S \* 3/2002 Amatino ..... D12/211  
D480,677 S \* 10/2003 Atwell ..... D12/211  
D502,438 S \* 3/2005 Weld ..... D12/211  
D504,099 S \* 4/2005 Boyer ..... D12/211  
D506,718 S \* 6/2005 Szavits ..... D12/209  
D514,496 S \* 2/2006 Neeper ..... D12/211  
D534,113 S \* 12/2006 Metros ..... D12/211  
D535,239 S \* 1/2007 Hovind ..... D12/209  
D539,723 S \* 4/2007 Musser ..... D12/211  
D612,789 S \* 3/2010 Tant ..... D12/211  
D629,347 S \* 12/2010 Kim ..... D12/211  
D639,221 S \* 6/2011 Johnson ..... D12/209  
D668,199 S \* 10/2012 Tant ..... D12/211  
D686,963 S \* 7/2013 Hale, Jr. .... D12/211  
D706,193 S \* 6/2014 Lee ..... D12/209  
D742,296 S \* 11/2015 Garbas ..... D12/211  
D763,769 S \* 8/2016 Johnson ..... D12/211

\* cited by examiner

*Primary Examiner* — Stacia Cadmus

(74) *Attorney, Agent, or Firm* — LeClairRyan

(57) **CLAIM**

The ornamental design for a vehicle wheel, as shown and described.

**DESCRIPTION**

FIG. 1 is a top perspective view of a vehicle wheel; and, FIG. 2 is a front elevational view thereof.

**1 Claim, 2 Drawing Sheets**

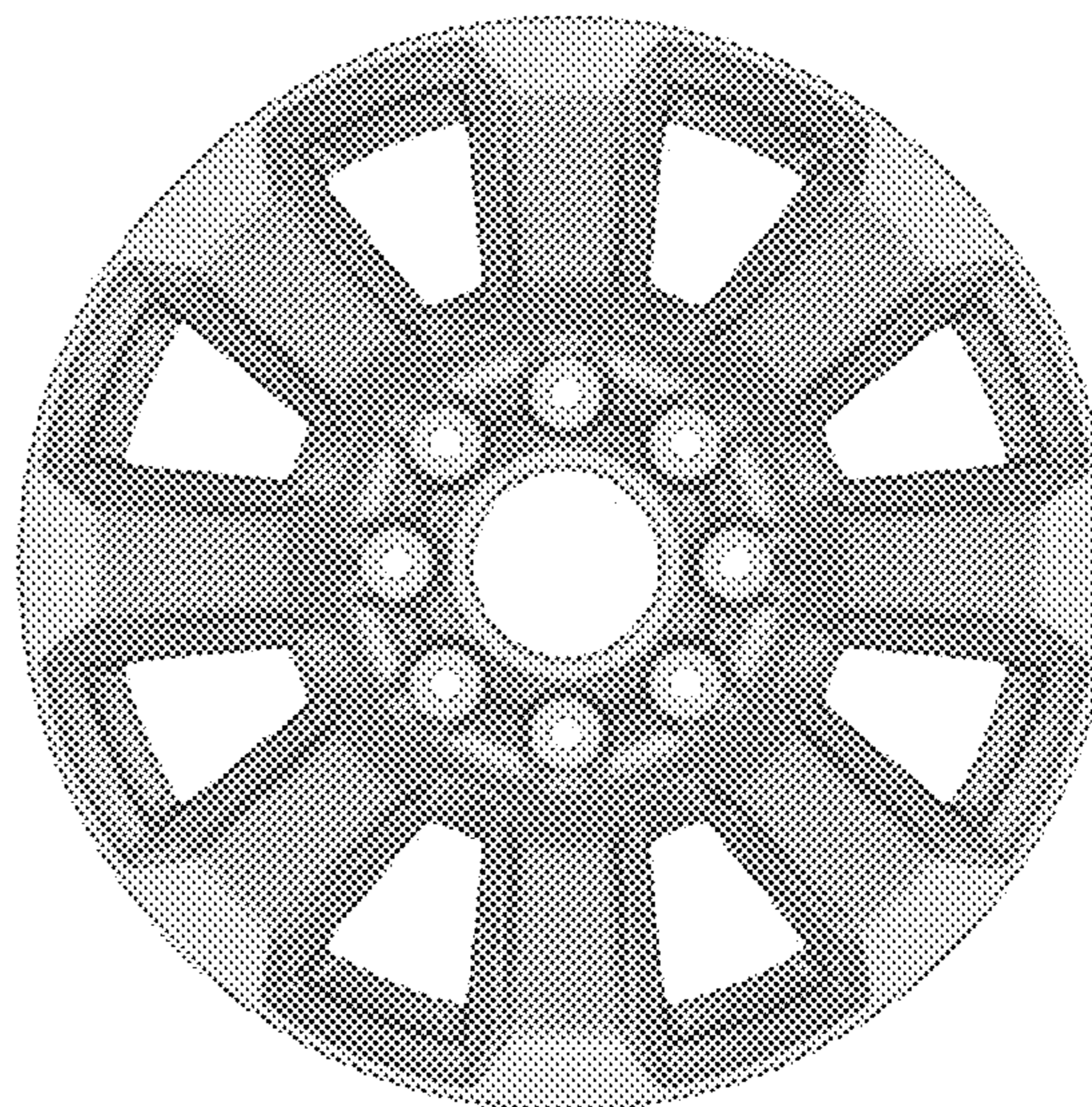
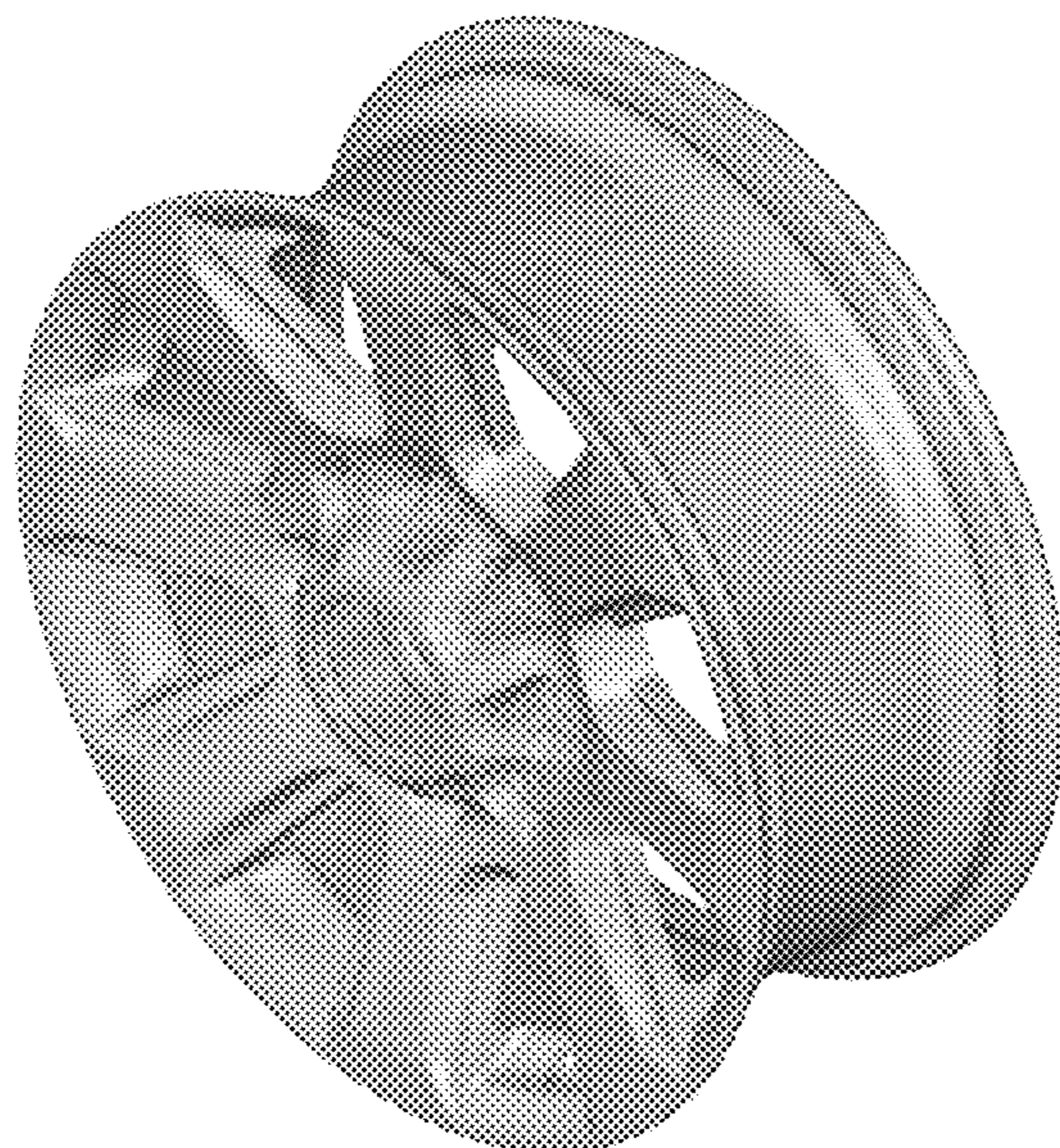




Figure 1

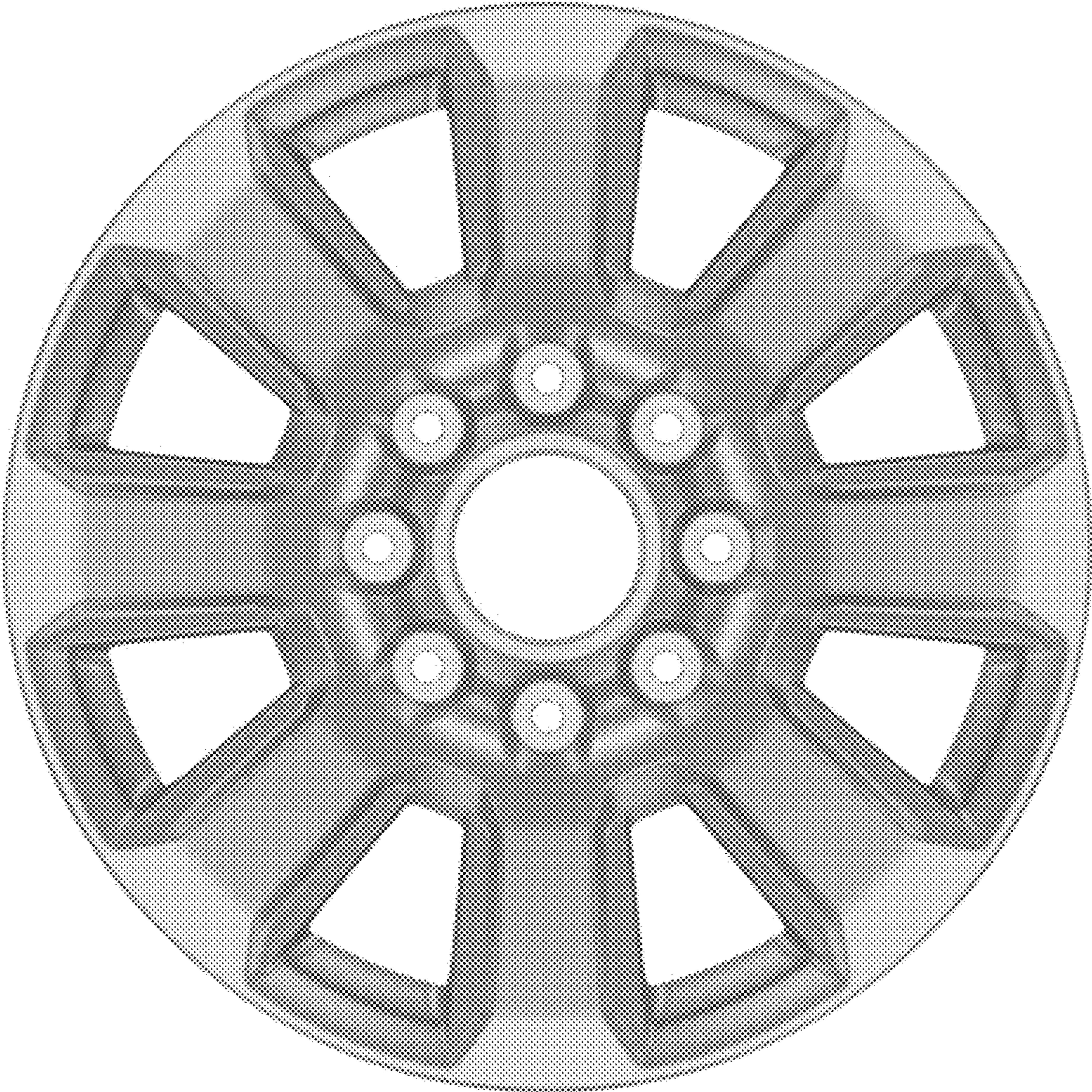


Figure 2