



US00D784235S

(12) **United States Design Patent**  
**Kim**

(10) **Patent No.:** **US D784,235 S**

(45) **Date of Patent:** **\*\* Apr. 18, 2017**

(54) **VEHICLE WHEEL**

(71) Applicant: **DzineSquare, Inc.**, La Mirada, CA (US)

(72) Inventor: **Young Ha Kim**, Yorba Linda, CA (US)

(73) Assignee: **Dzinesquare, Inc.**, La Mirada, CA (US)

(\*\*) Term: **14 Years**

(21) Appl. No.: **29/517,321**

(22) Filed: **Feb. 11, 2015**

(51) **LOC (10) Cl.** ..... **12-16**

(52) **U.S. Cl.**

USPC ..... **D12/211**

(58) **Field of Classification Search**

USPC ..... D12/204–213

CPC .... B60B 7/00; B60B 7/02; B60B 7/04; B60B 7/01; B60B 7/06; B60B 3/02; B60B 3/04; B60B 3/06; B60B 3/10; B60B 1/00; B60B 1/08; B60B 1/10; B60B 1/12

See application file for complete search history.

(56) **References Cited**

**U.S. PATENT DOCUMENTS**

D339,561 S *	9/1993	Maiworm .....	D12/211
D344,924 S *	3/1994	Braungart .....	D12/211
D457,119 S *	5/2002	Braun .....	D12/211
D487,569 S *	3/2004	Laengerer .....	D12/211
D520,434 S *	5/2006	Fahr-Becker .....	D12/211
D522,430 S *	6/2006	Nordmann .....	D12/209
D522,950 S *	6/2006	Pfeiffer .....	D12/211
D532,356 S *	11/2006	Bernoni .....	D12/211
D560,589 S *	1/2008	Celik .....	D12/211

D617,253 S *	6/2010	Zhao .....	D12/211
D655,233 S *	3/2012	Alfonso .....	D12/211
D655,235 S *	3/2012	Zhao .....	D12/211
D659,063 S *	5/2012	Johnson .....	D12/209
D695,196 S *	12/2013	Zane .....	D12/211
D695,671 S *	12/2013	Chung .....	D12/211
D715,721 S *	10/2014	Chung .....	D12/211
D736,689 S *	8/2015	Lemke .....	D12/211
D744,930 S *	12/2015	Chung .....	D12/211

\* cited by examiner

*Primary Examiner* — Stacia Cadmus

(74) *Attorney, Agent, or Firm* — Lance M. Pritikin

(57) **CLAIM**

The ornamental design for a vehicle wheel, as shown and described.

**DESCRIPTION**

FIG. 1 is a front perspective view of the vehicle wheel, showing my new design;

FIG. 2 is a front view thereof;

FIG. 3 is a rear view thereof;

FIG. 4 is a right side view thereof with a left side view being a mirror image;

FIG. 5 is a top view thereof with the bottom view being a mirror image;

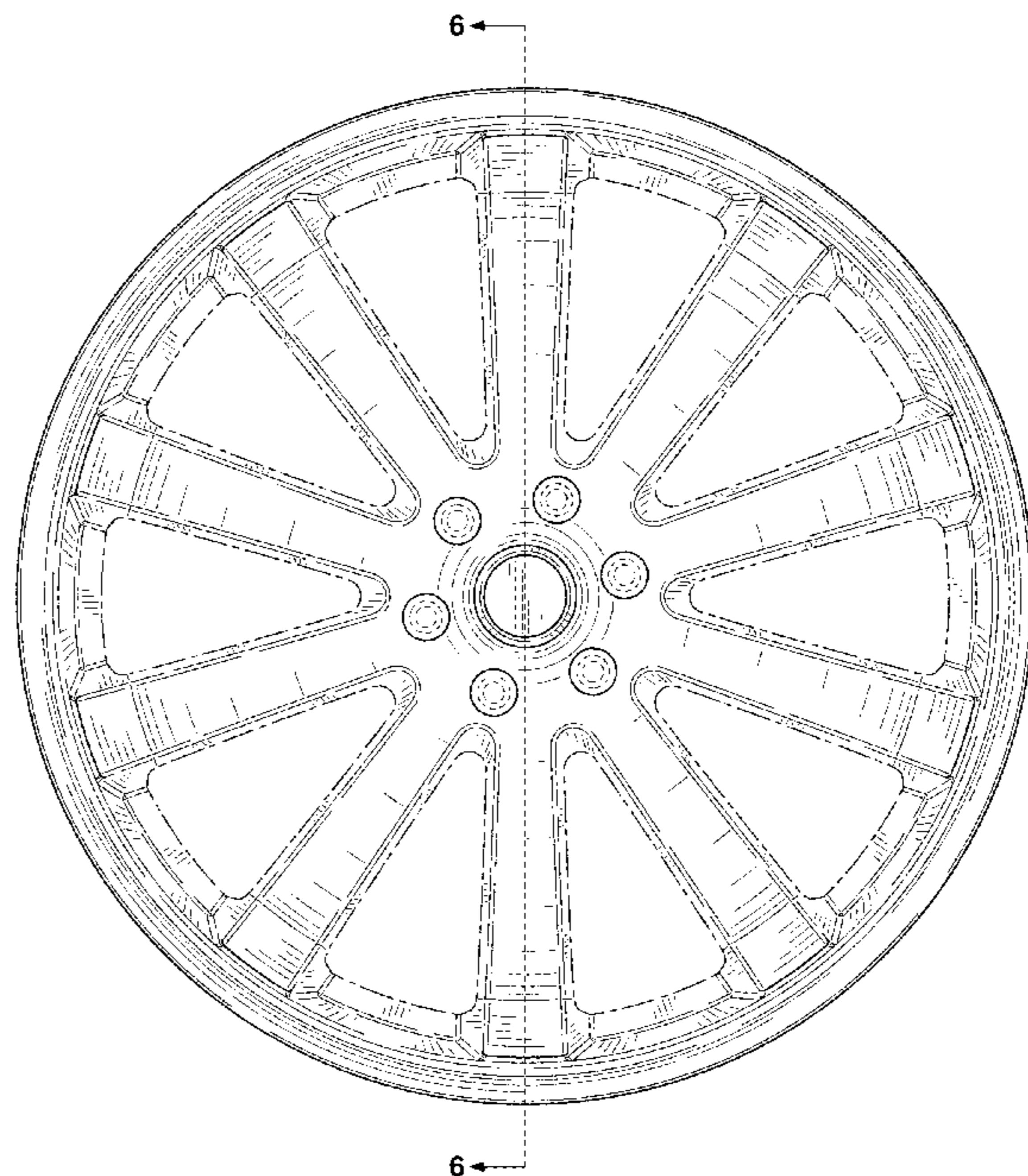
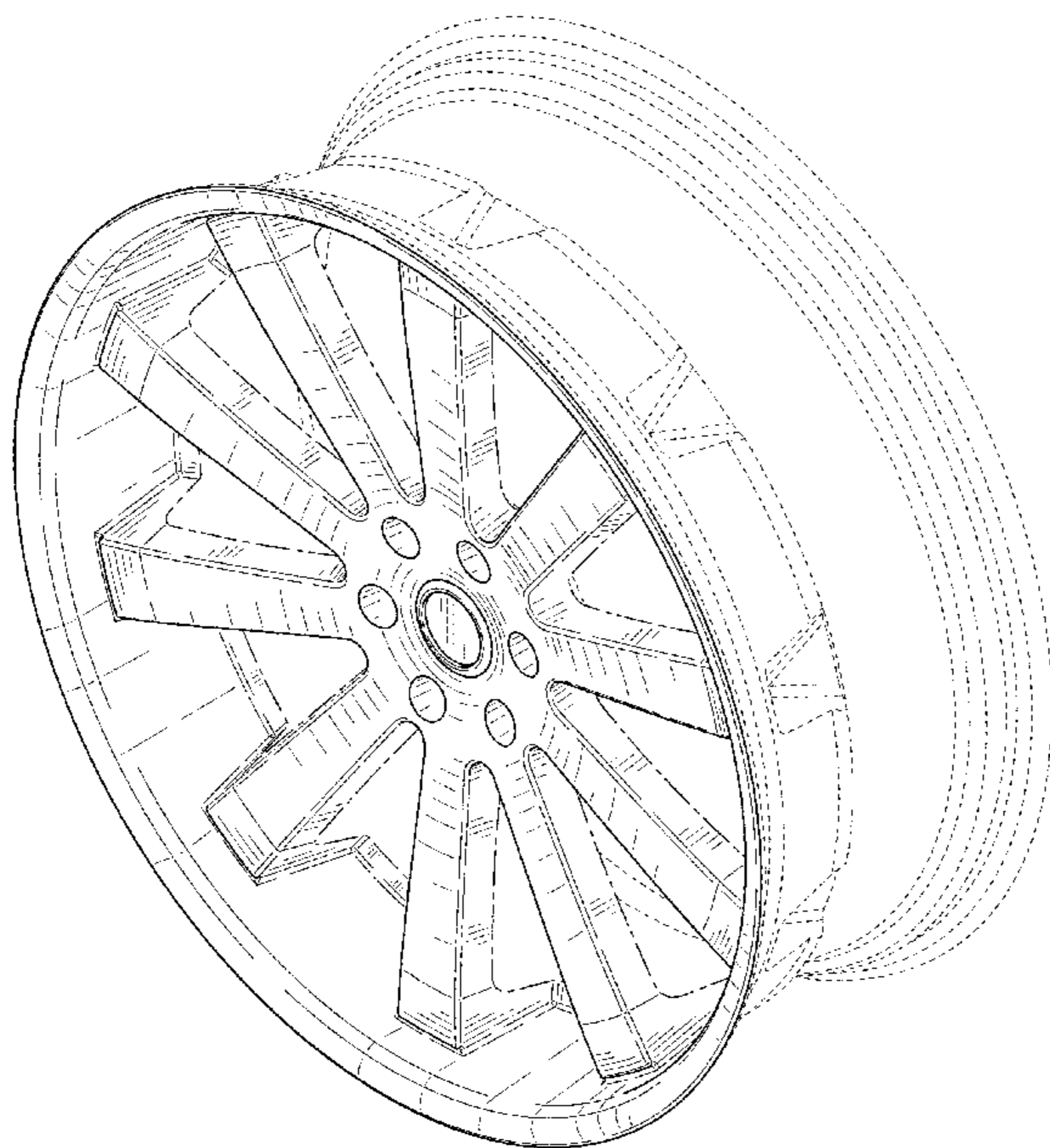
FIG. 6 is a cross-sectional view thereof taken along the line 6-6 of FIG. 2; and,

FIG. 7 is a rear perspective view thereof.

The broken line showing of the inboard portion of the wheel is included for the purpose of illustrating environmental structure and forms no part of the claimed design.

The dash-dot-dash broken lines define the bounds of the claimed design and form no part thereof.

**1 Claim, 6 Drawing Sheets**



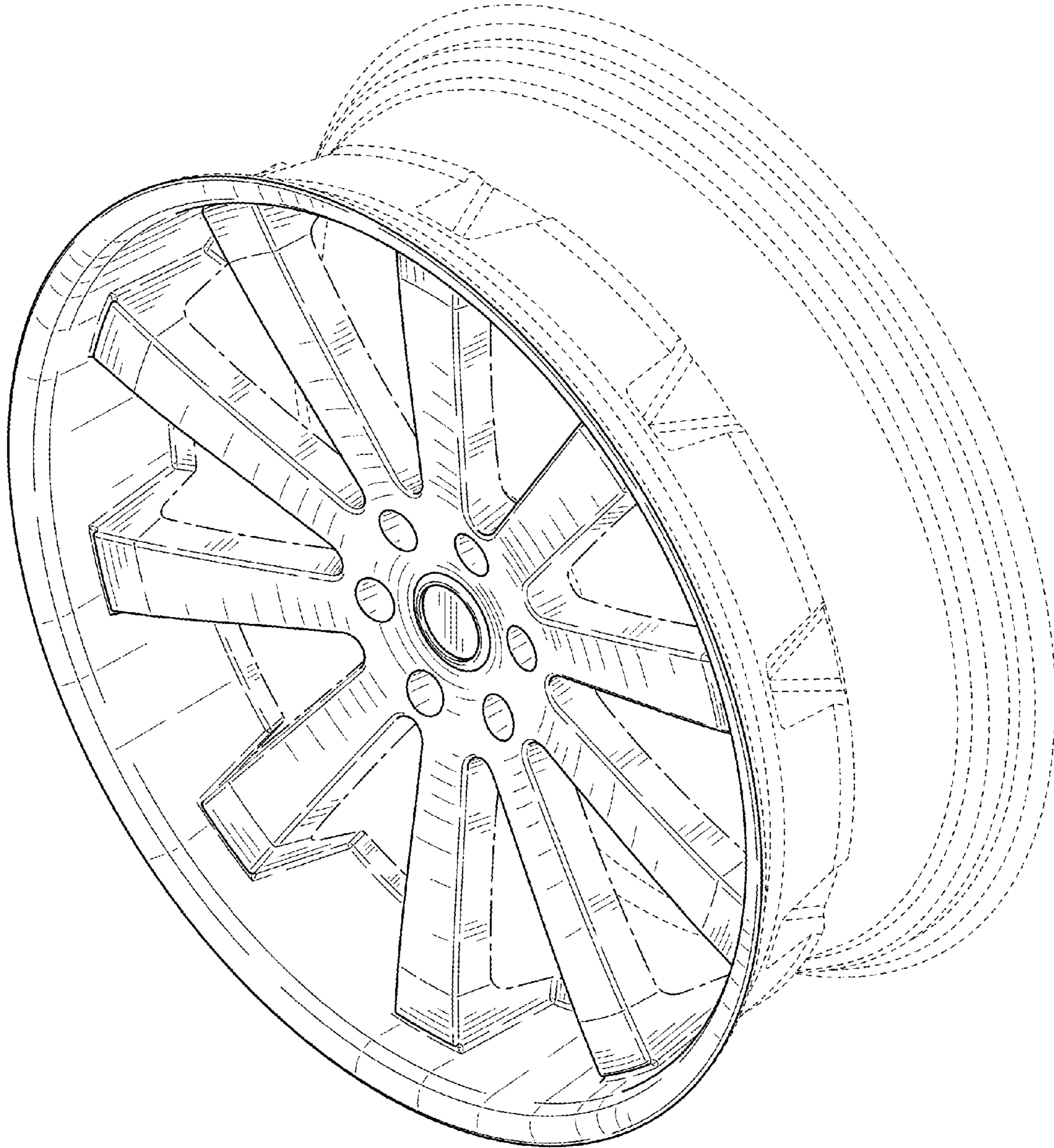


FIG. 1

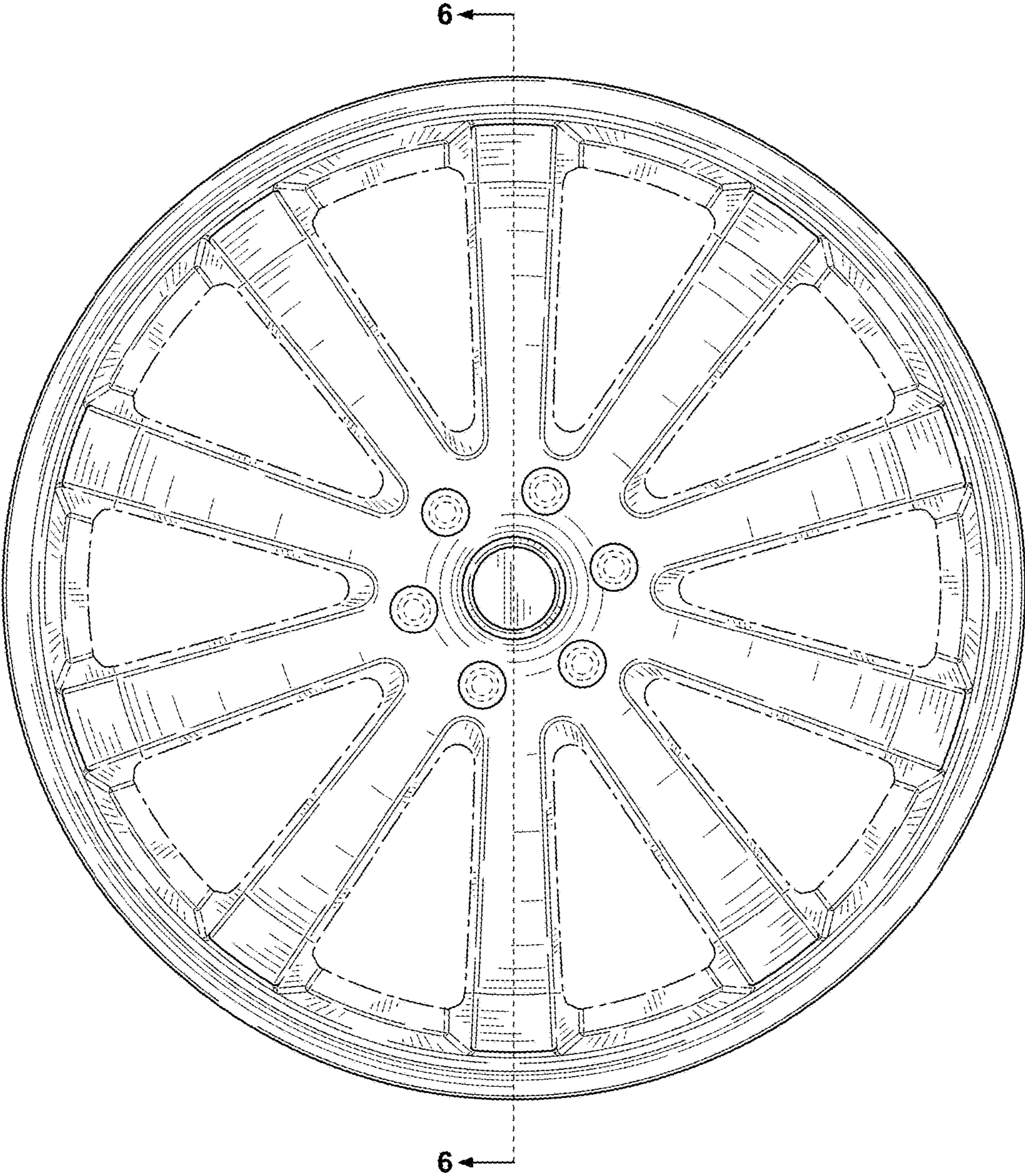


FIG. 2

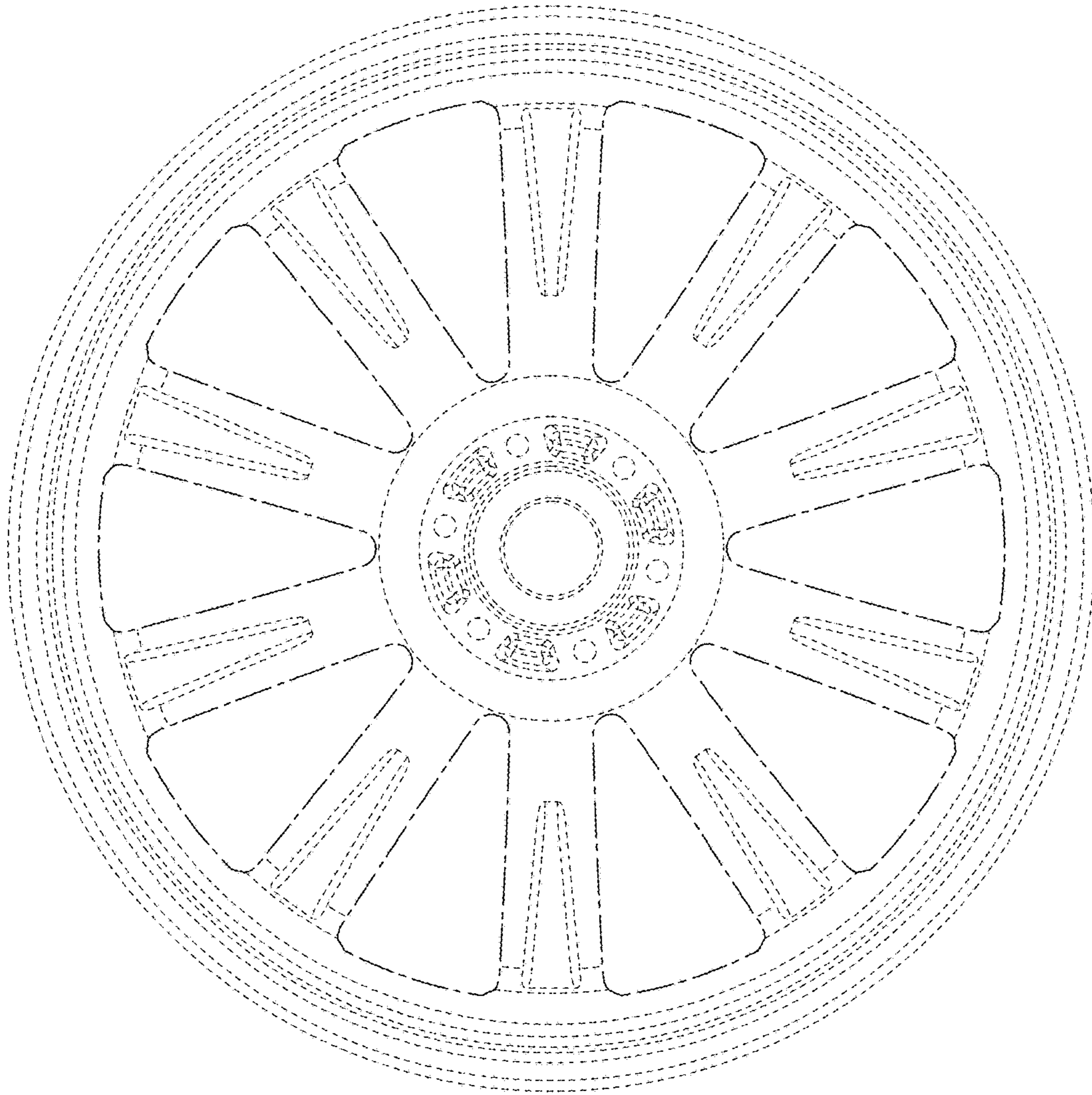


FIG. 3

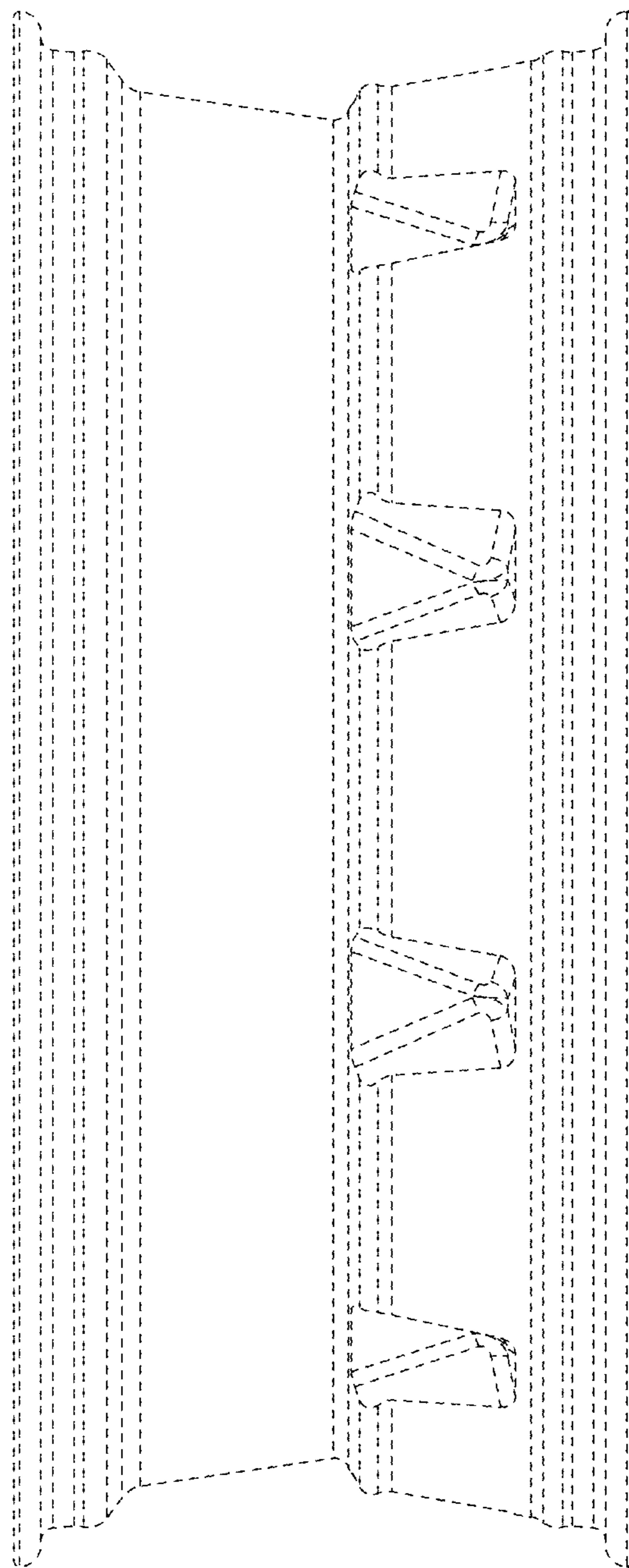


FIG. 4

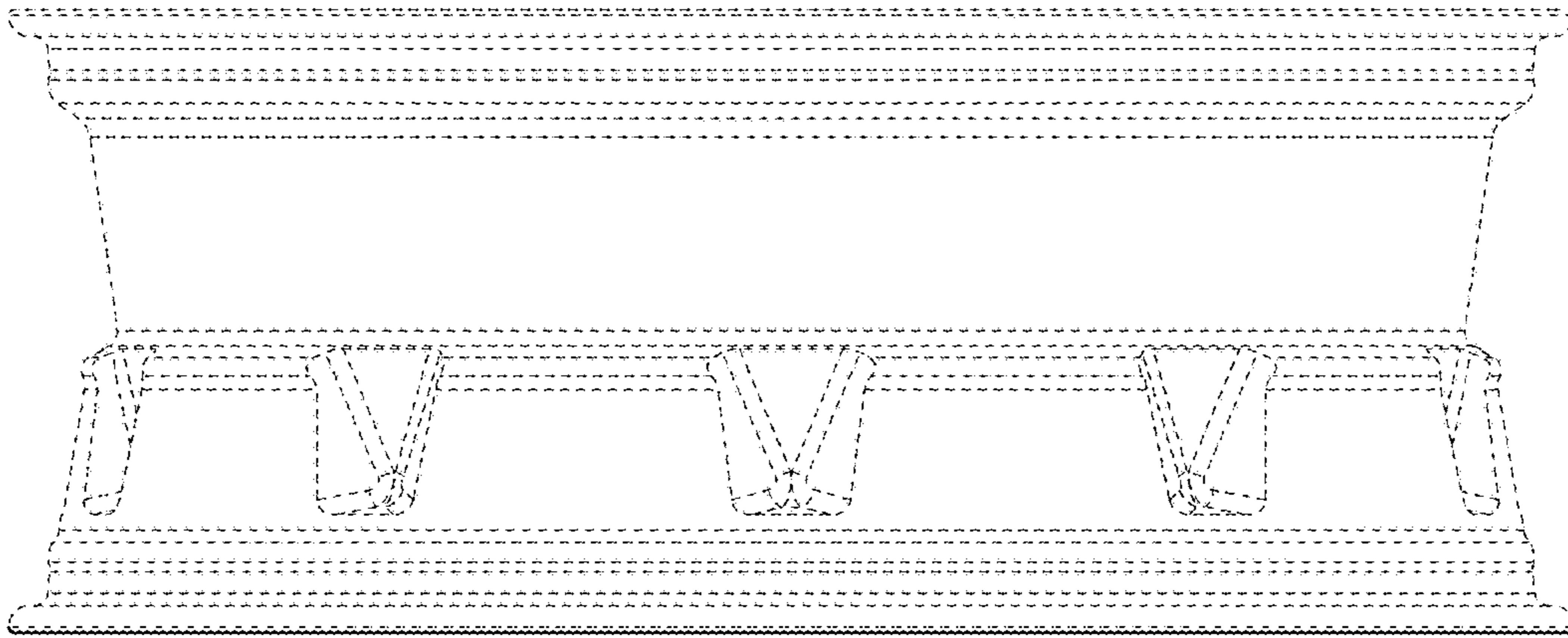


FIG. 5

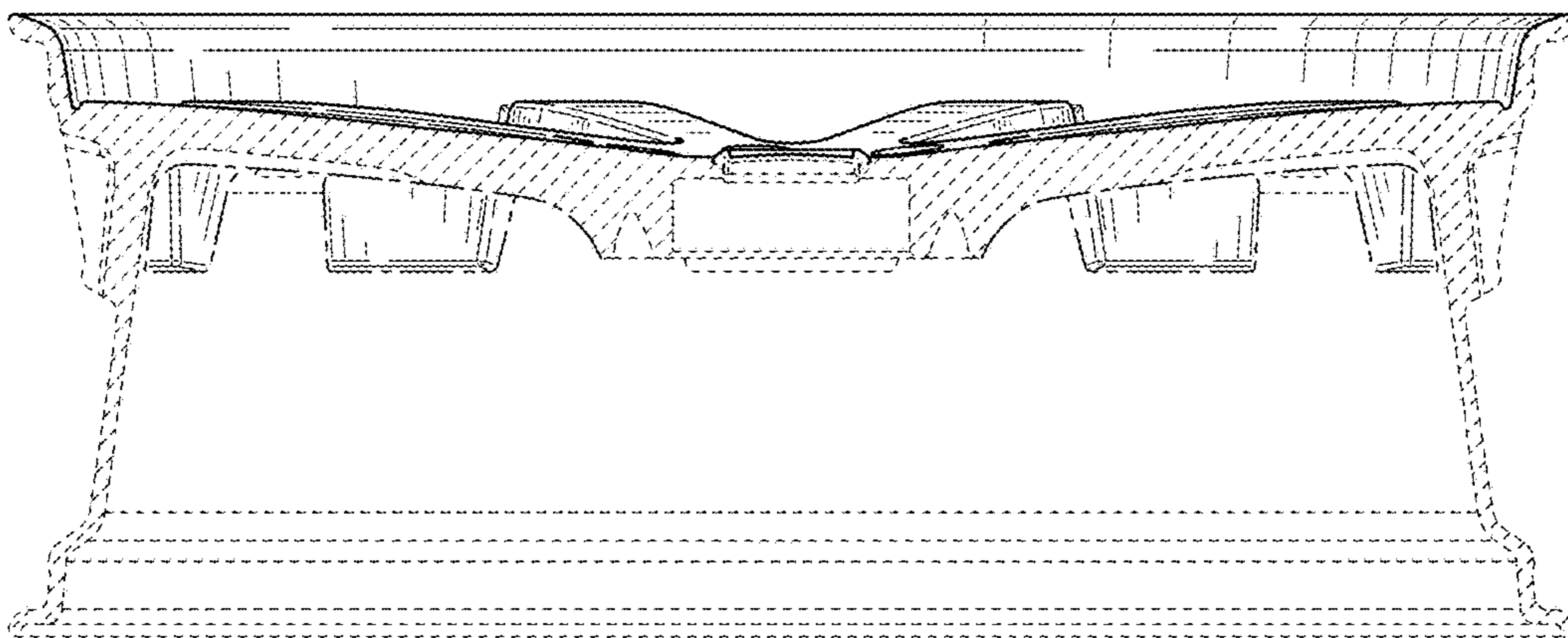


FIG. 6

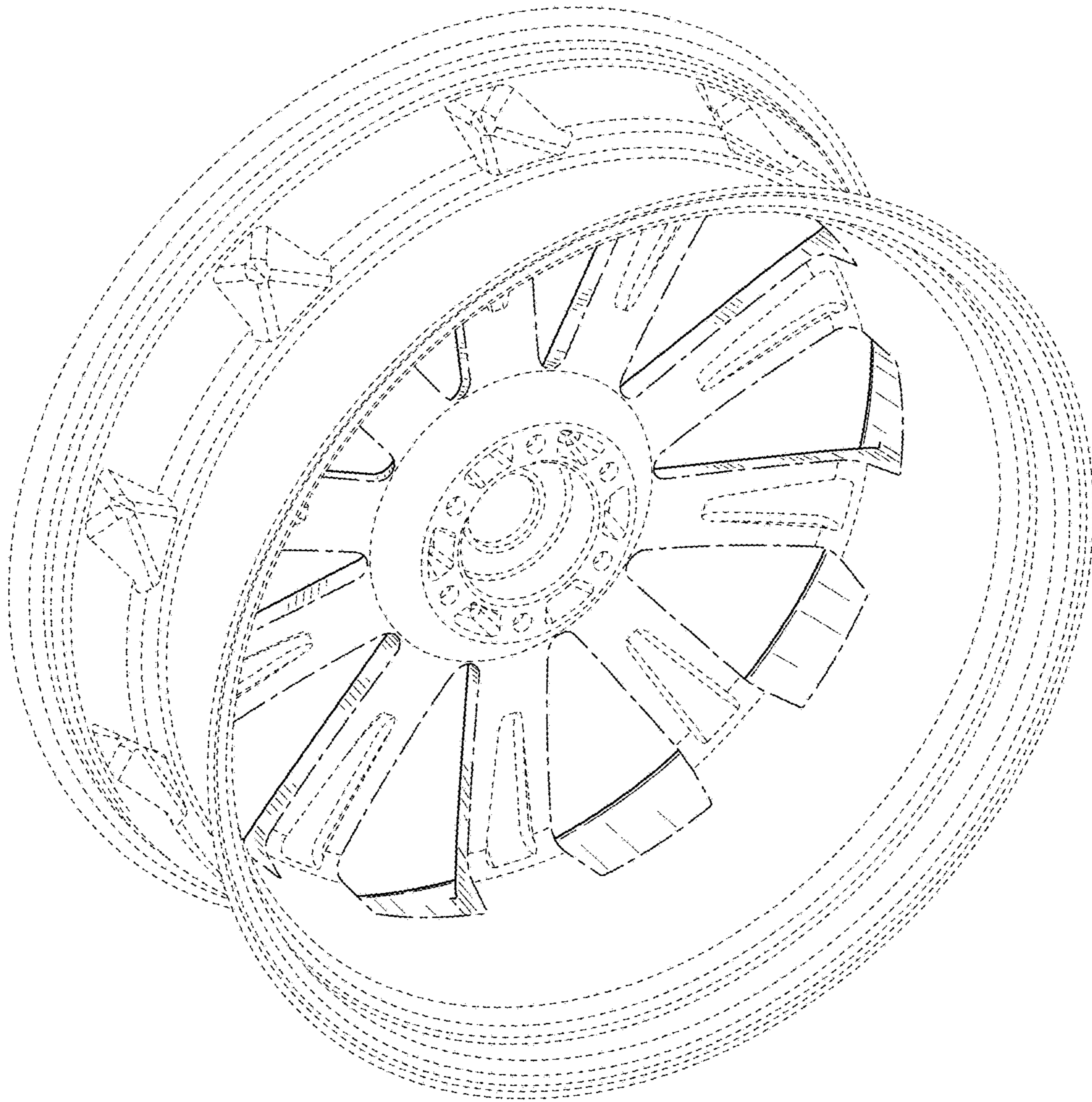


FIG. 7