



US00D784228S

(12) **United States Design Patent** (10) **Patent No.:** **US D784,228 S**
Nagano (45) **Date of Patent:** **** Apr. 18, 2017**

- (54) **EXHAUST ADAPTER**
- (71) Applicant: **NORITZ CORPORATION**, Hyogo (JP)
- (72) Inventor: **Takanori Nagano**, Kakogawa (JP)
- (73) Assignee: **NORITZ CORPORATION**, Hyogo (JP)
- (**) Term: **15 Years**
- (21) Appl. No.: **29/541,781**
- (22) Filed: **Oct. 7, 2015**

2011/0074149	A1	3/2011	Matsui et al.
2011/0240143	A1	10/2011	Lang et al.
2012/0272928	A1	11/2012	Kameyama et al.
2012/0323221	A1	12/2012	Gallo et al.
2015/0056903	A1	2/2015	Nagano et al.
2015/0219000	A1	8/2015	Nojiri et al.
2016/0053997	A1*	2/2016	Hasegawa F23L 17/02 126/307 R

FOREIGN PATENT DOCUMENTS

JP	S61-007424	Y2	3/1986
JP	H01-189410	A	7/1989
JP	H05-023945	Y2	6/1993
JP	2000-179750	A	6/2000
JP	2006-349327	A	12/2006
JP	2009-281057	A	12/2009

* cited by examiner

Primary Examiner — Michael A Pratt

(74) *Attorney, Agent, or Firm* — Studebaker & Brackett PC

Related U.S. Application Data

- (62) Division of application No. 29/492,341, filed on May 30, 2014, now Pat. No. Des. 751,479.
- (51) **LOC (10) Cl.** **12-16**
- (52) **U.S. Cl.**
USPC **D12/194; D23/320**
- (58) **Field of Classification Search**
USPC D23/320; D8/349-352; 122/424, 365; 285/41, 42, 46, 53, 65, 223, 226, 405, 285/903; D12/194
CPC ... B60H 1/00; B60H 1/00021; B60H 1/00271
See application file for complete search history.

(57) **CLAIM**

The ornamental design for an exhaust adapter, as shown and described.

DESCRIPTION

FIG. 1 is a front view of an exhaust adapter having its outer circumference supported by an exhaust pipe and its inner circumference supporting an exhaust tube in accordance with the present design;
 FIG. 2 is a rear view thereof;
 FIG. 3 is a top plan view thereof;
 FIG. 4 is a bottom plan view thereof;
 FIG. 5 is a right side view thereof;
 FIG. 6 is a left side view thereof;
 FIG. 7 is a perspective view thereof; and,
 FIG. 8 is a cross sectional view of thereof.

1 Claim, 4 Drawing Sheets

(56) **References Cited**

U.S. PATENT DOCUMENTS

3,208,914	A	9/1965	Dickson
3,306,109	A	2/1967	Caparone
4,844,274	A	7/1989	Sterk
6,431,046	B1*	8/2002	Okpokowuruk F01L 25/02 137/625.63
8,596,226	B2	12/2013	McAnally et al.
D751,479	S*	3/2016	Nagano D12/194
2010/0269943	A1	10/2010	Arai

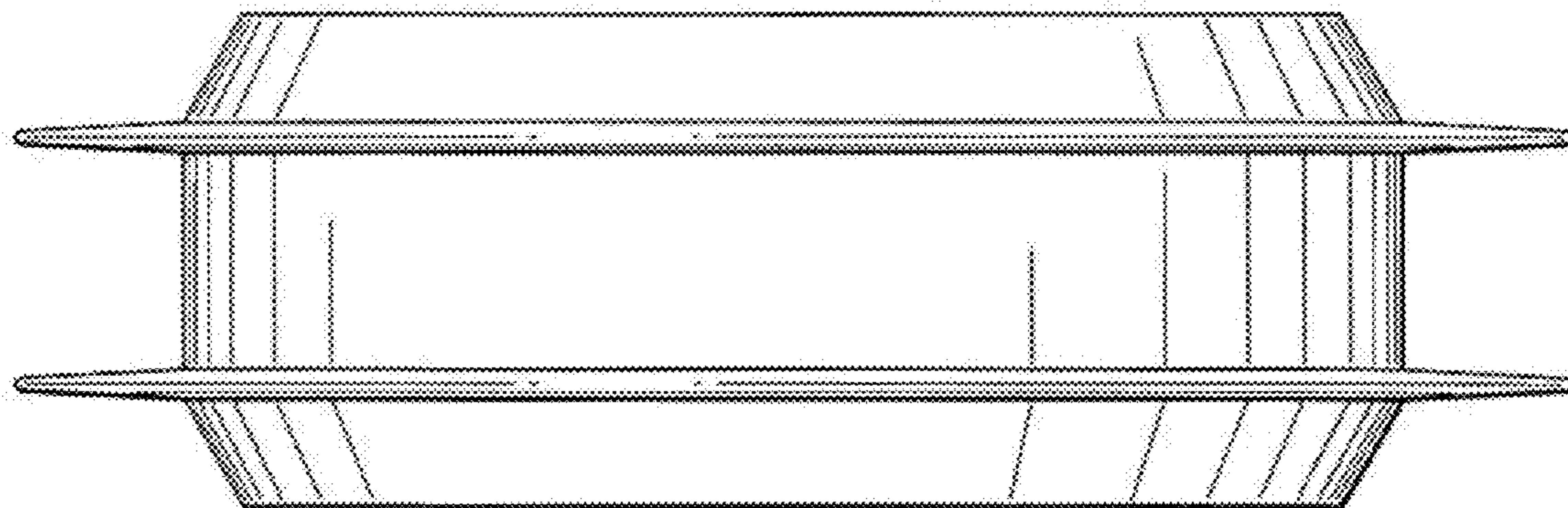


FIG. 1

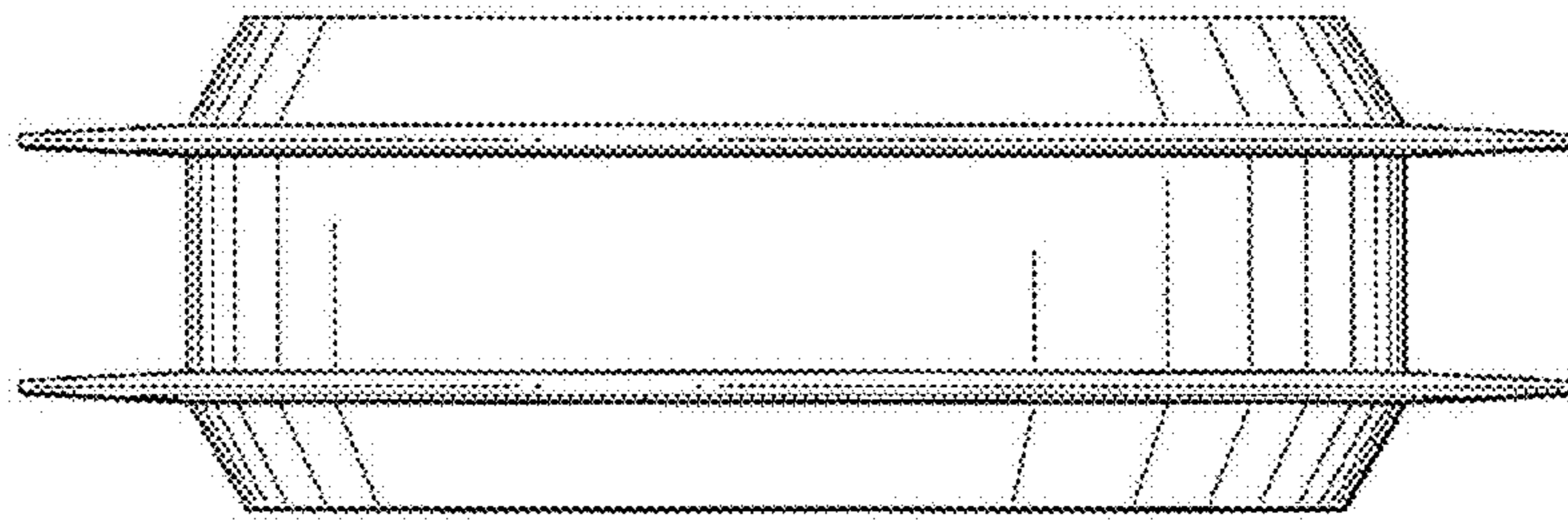


FIG. 2

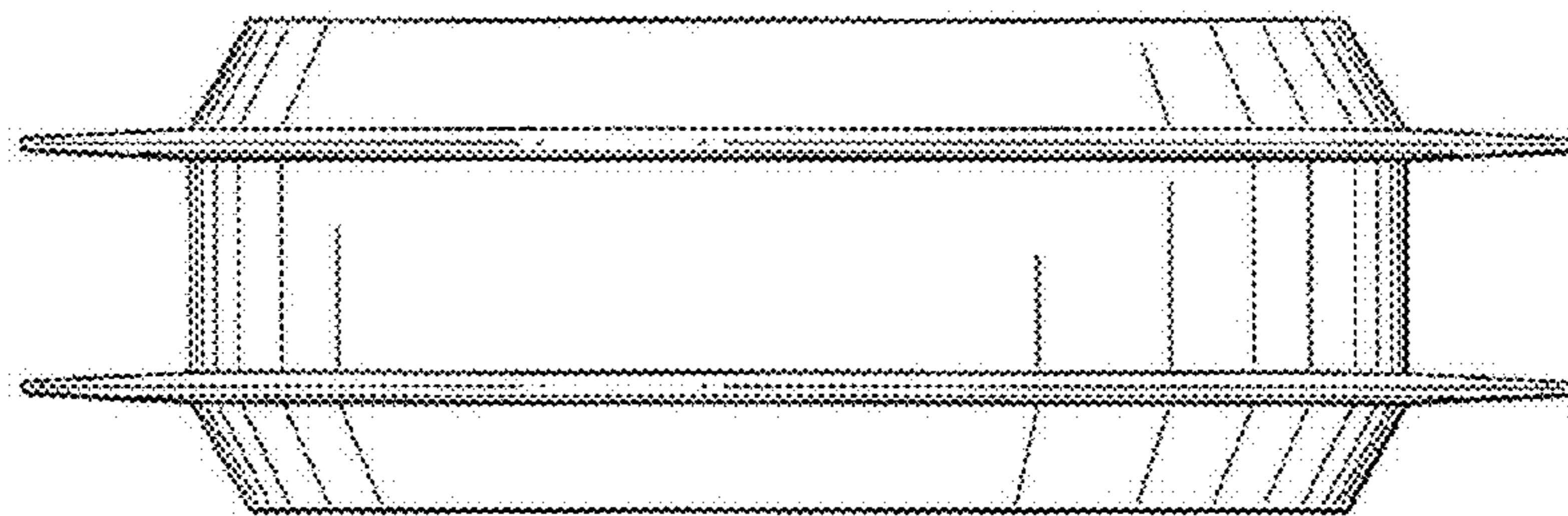


FIG. 3

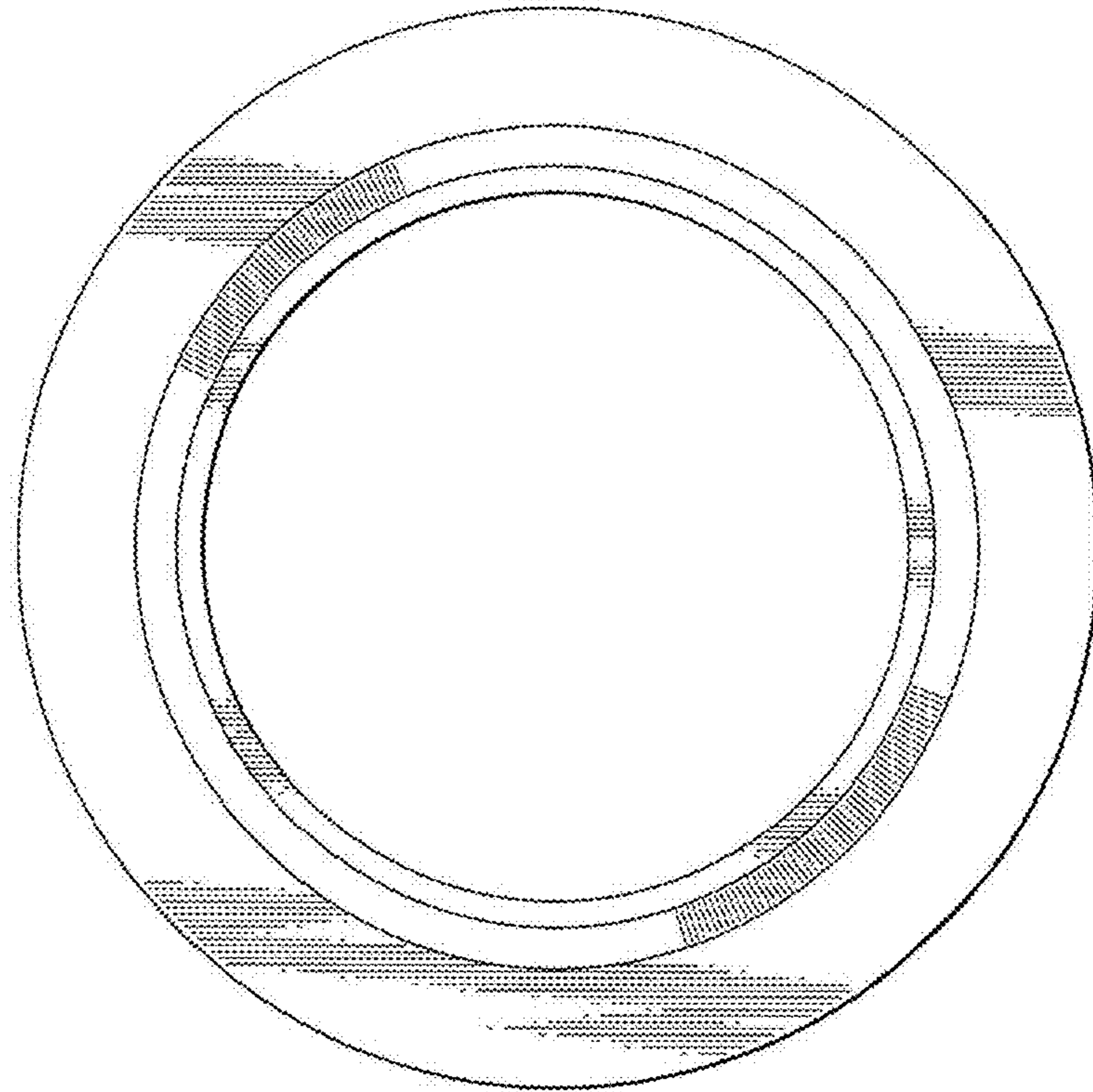


FIG. 4

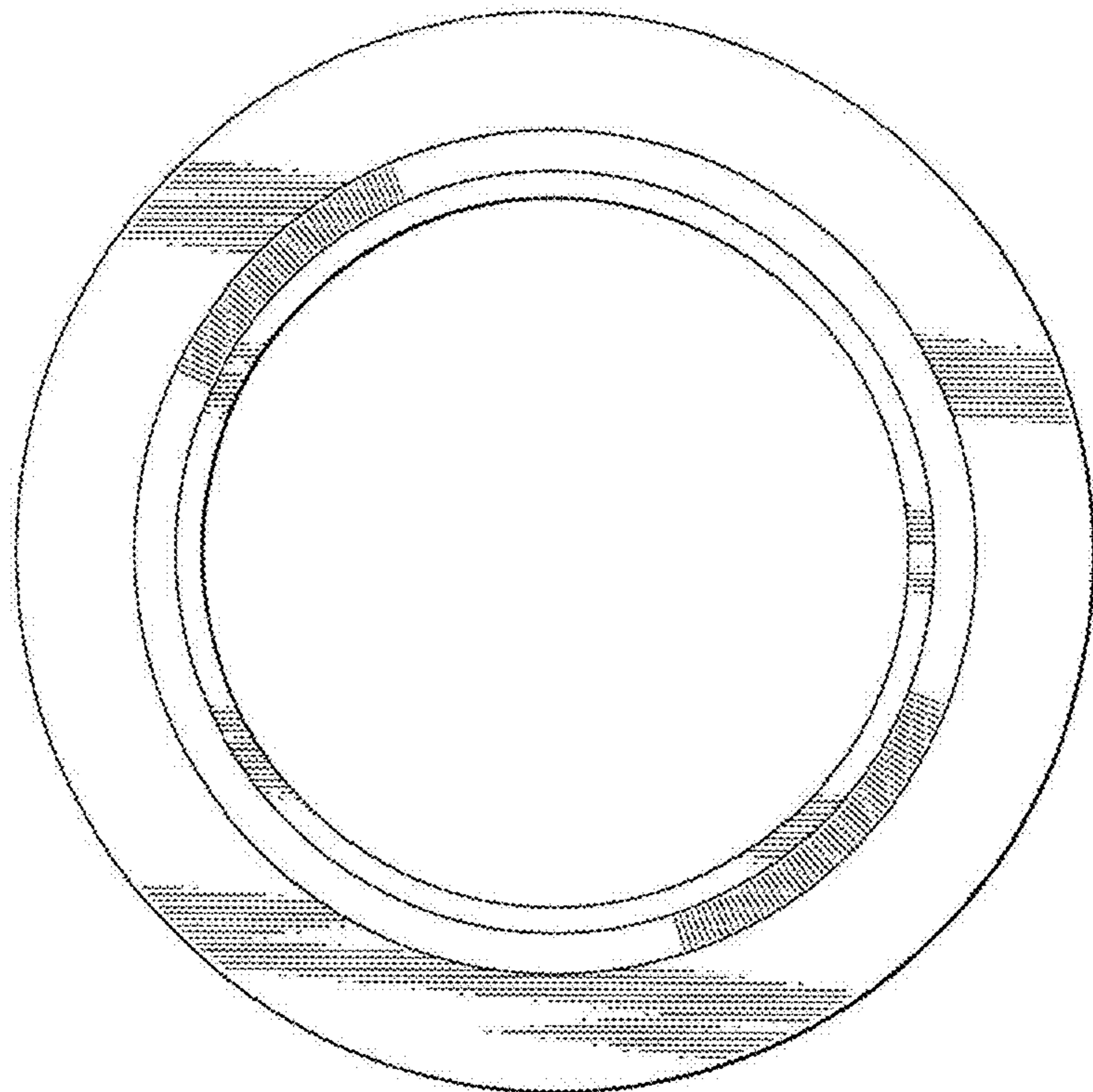


FIG. 5

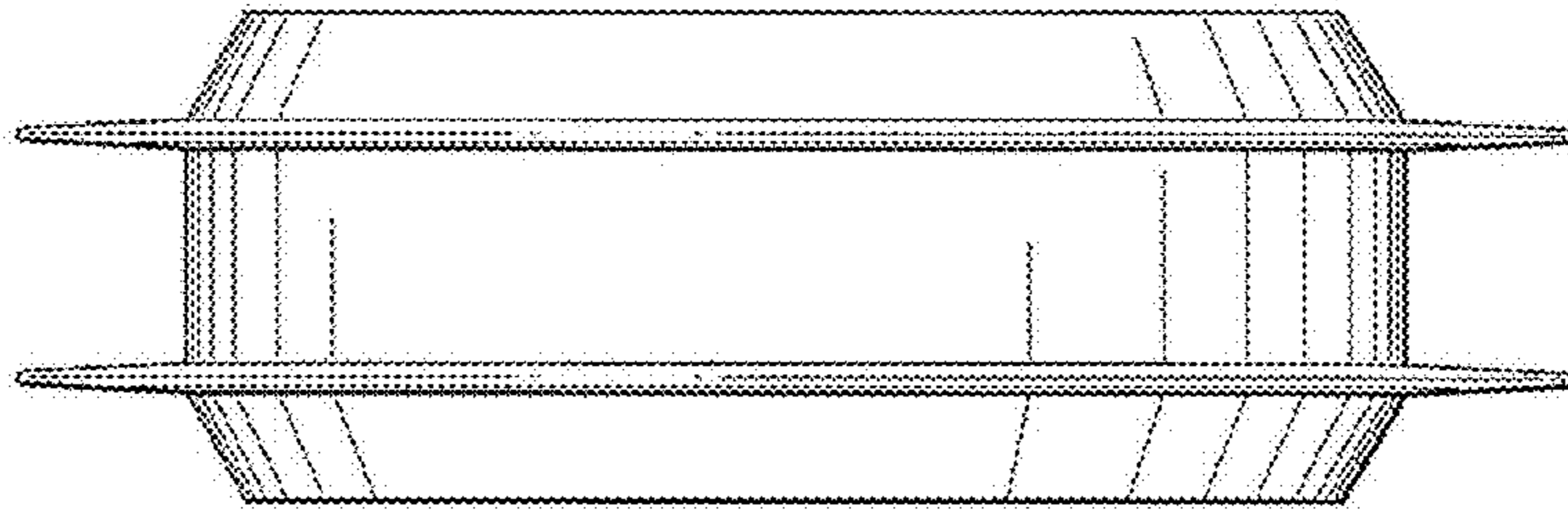


FIG. 6

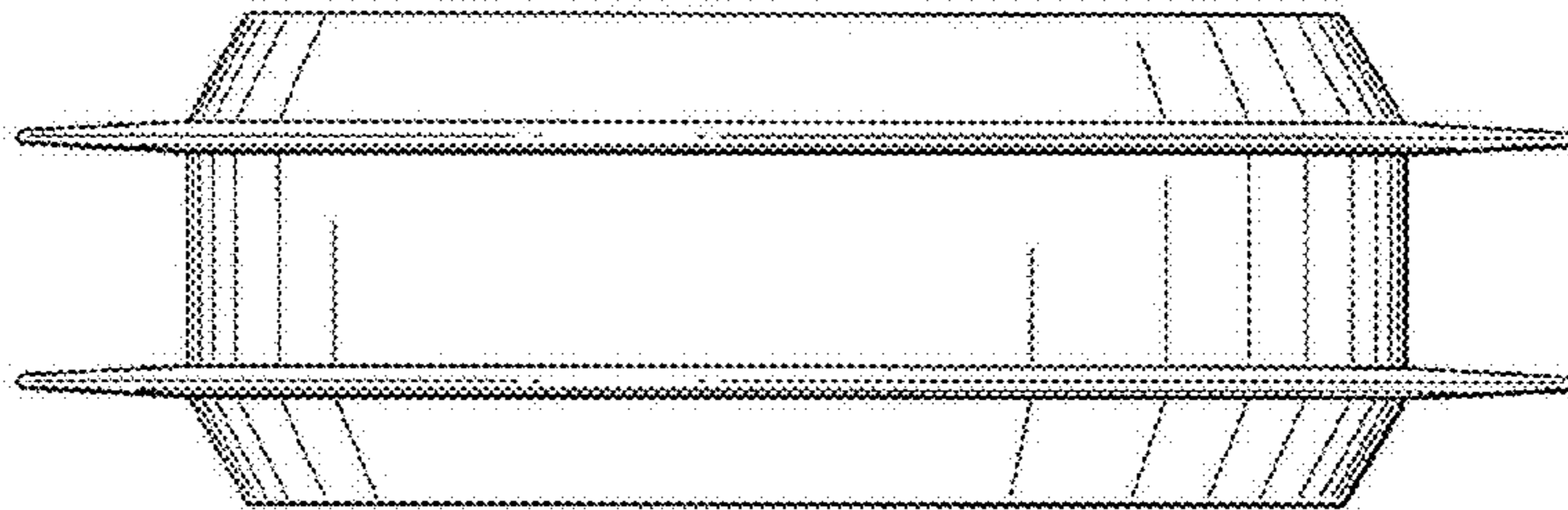


FIG. 7

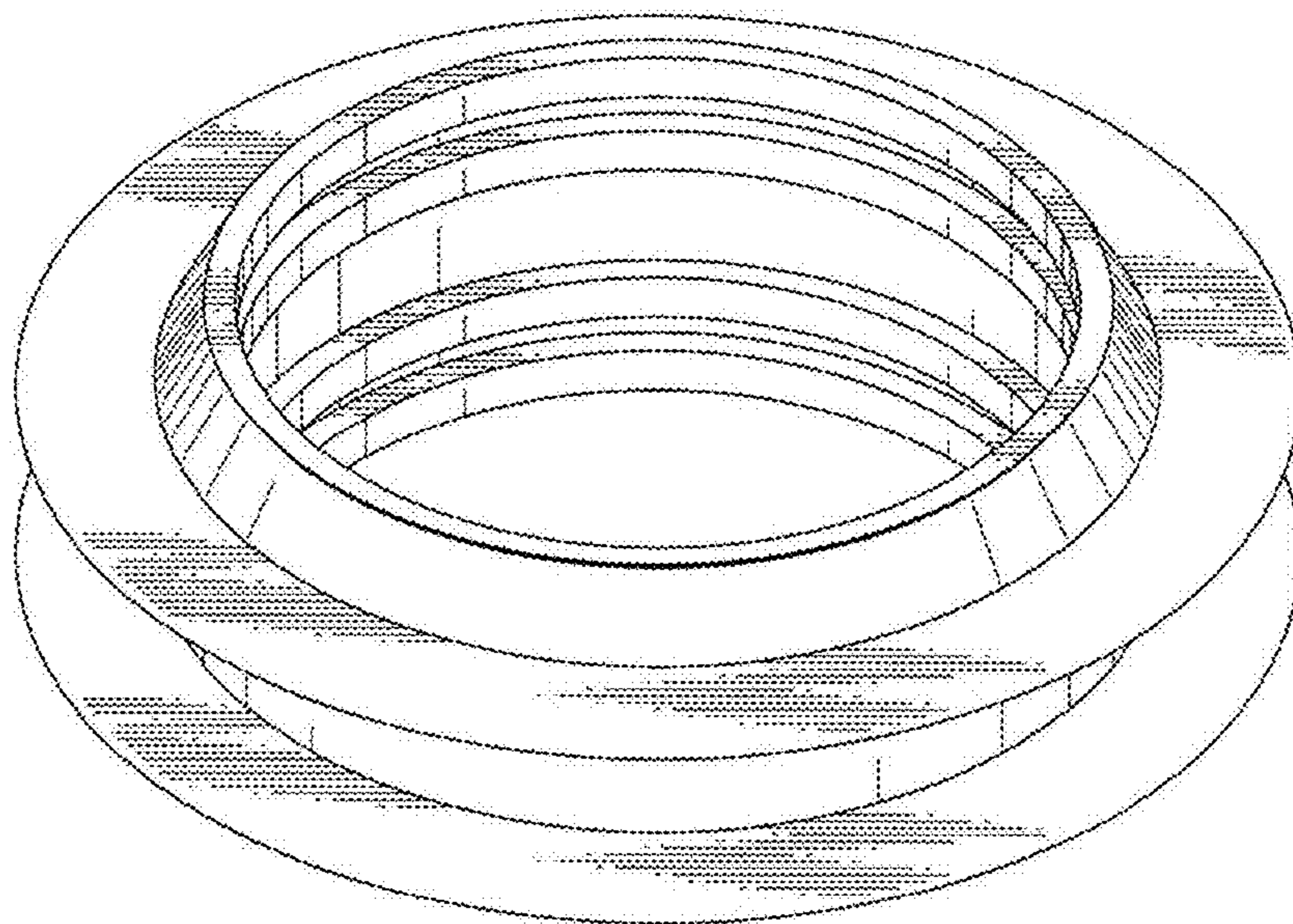


FIG. 8

