



US00D784223S

(12) **United States Design Patent** (10) **Patent No.:** **US D784,223 S**
Lee (45) **Date of Patent:** **** Apr. 18, 2017**

(54) **VEHICLE SPOILER**
(71) Applicant: **GM GLOBAL TECHNOLOGY OPERATIONS LLC**, Detroit, MI (US)
(72) Inventor: **Hwasup Lee**, Rochester Hills, MI (US)
(73) Assignee: **GM Global Technology Operations LLC**, Detroit, MI (US)
(**) Term: **15 Years**
(21) Appl. No.: **29/548,269**
(22) Filed: **Dec. 11, 2015**
(51) **LOC (10) Cl.** **12-08**
(52) **U.S. Cl.**
USPC **D12/181**
(58) **Field of Classification Search**
USPC D12/181, 191, 196, 400, 190, 88
CPC B60R 13/04; B60R 13/02
See application file for complete search history.

D611,879 S 3/2010 Kim et al.
D612,297 S 3/2010 Peters et al.
D613,645 S 4/2010 Song et al.
D615,458 S 5/2010 Thompson et al.
D618,595 S 6/2010 Ware et al.
D623,090 S 9/2010 Cox et al.
D627,262 S 11/2010 Ikeda et al.
D635,488 S 4/2011 Phipps
D644,147 S 8/2011 Suh et al.
D644,567 S 9/2011 Kozub
D657,718 S 4/2012 Zipfel et al.
D659,052 S 5/2012 Ware et al.
D659,053 S 5/2012 Ware et al.
D668,182 S 10/2012 Barba Franco et al.
D668,183 S 10/2012 Smart
D678,820 S 3/2013 Son et al.
D678,821 S 3/2013 Ikeda et al.
D680,909 S 4/2013 Munson et al.
D680,910 S 4/2013 David
D684,899 S 6/2013 Baker
D684,908 S * 6/2013 Lee D12/181
D686,536 S 7/2013 McCabe et al.

(Continued)

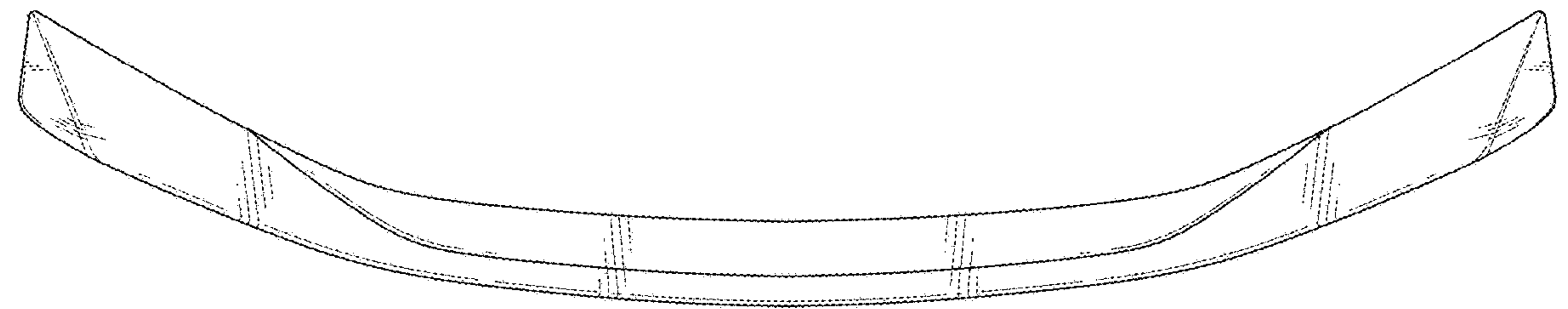
Primary Examiner — Katrina A Betton
(74) *Attorney, Agent, or Firm* — Reising Ethington P.C.

(56) **References Cited**
U.S. PATENT DOCUMENTS
D570,742 S 6/2008 Takagi et al.
D592,105 S 5/2009 Dean et al.
D597,447 S 8/2009 Folden
D600,595 S 9/2009 Nakamura et al.
D601,925 S 10/2009 O'Donnell
D603,755 S 11/2009 Peters
D604,203 S 11/2009 O'Donnell
D605,082 S 12/2009 Munson
D605,083 S 12/2009 Manoogian, II et al.
D605,977 S 12/2009 Zipfel et al.
D605,978 S 12/2009 Wolff et al.
D608,249 S 1/2010 Peters
D608,690 S 1/2010 Folden et al.
D608,691 S 1/2010 Zak, Jr. et al.
D609,608 S 2/2010 Boniface et al.
D611,387 S 3/2010 Thompson et al.

(57) **CLAIM**
The ornamental design for a vehicle spoiler, as shown and described.

DESCRIPTION
FIG. 1 is a perspective view of the vehicle spoiler;
FIG. 2 is a left side elevation view thereof (where the right side elevation view is omitted because the right side elevation view is identical to the left side elevation view);
FIG. 3 is a front view thereof; and,
FIG. 4 is a top plan view thereof.
The broken lines shown in the drawings depict portions of the vehicle spoiler that form no part of the claimed design.

1 Claim, 1 Drawing Sheet



(56)

References Cited

U.S. PATENT DOCUMENTS

D692,798 S	11/2013	Thurber		D726,591 S	4/2015	Jacob	
D692,799 S	11/2013	Smith et al.		D730,776 S	6/2015	Smart	
D696,157 S	12/2013	Loeb		D730,783 S	6/2015	Henriques et al.	
D699,629 S	2/2014	Ikeda et al.		D732,427 S	6/2015	Loeb	
D700,871 S	3/2014	O'Donnell et al.		D732,429 S	6/2015	Loeb	
D703,103 S	4/2014	Lee		D732,430 S	6/2015	Loeb	
D704,103 S	5/2014	Mack et al.		D732,431 S	6/2015	Loeb	
D705,132 S	5/2014	Ware et al.		D732,432 S	6/2015	Aengenheyster	
D705,699 S	5/2014	Ware et al.		D732,433 S	6/2015	Aengenheyster	
D711,298 S *	8/2014	Jamieson	D12/181	D732,435 S	6/2015	Mackay	
D713,298 S	9/2014	Dyson		D733,002 S	6/2015	Loeb	
D713,764 S	9/2014	Ferlazzo et al.		D735,611 S	8/2015	Aengenheyster	
D716,205 S *	10/2014	Callum	D12/181	D735,627 S	8/2015	Smith	
D716,696 S	11/2014	Thole et al.		D736,451 S	8/2015	Smith	
D716,706 S	11/2014	Thole et al.		D739,306 S	9/2015	McMahan et al.	
D716,709 S	11/2014	Thole et al.		D739,317 S	9/2015	McMahan et al.	
D717,696 S	11/2014	Thole et al.		D741,223 S	10/2015	Kim et al.	
D718,189 S	11/2014	Krieg et al.		D743,309 S	11/2015	Thole et al.	
D718,683 S	12/2014	Thole et al.		D743,313 S	11/2015	Smith et al.	
D722,282 S	2/2015	Loeb		D743,314 S	11/2015	Thole et al.	
D722,533 S	2/2015	Thole et al.		D743,857 S	11/2015	McMahan et al.	
D722,534 S	2/2015	Munson et al.		D744,158 S	11/2015	Willett et al.	
D722,929 S *	2/2015	Hatter	D12/181	D745,086 S	12/2015	Finos et al.	
D724,510 S	3/2015	McMahan et al.		D746,191 S *	12/2015	Chen	D12/181
D725,001 S	3/2015	McMahan et al.		D754,578 S *	4/2016	Buck	D12/181
				D763,751 S *	8/2016	Varga	D12/181
				D775,025 S *	12/2016	Platto	D12/181
				D775,026 S *	12/2016	Platto	D12/181

* cited by examiner

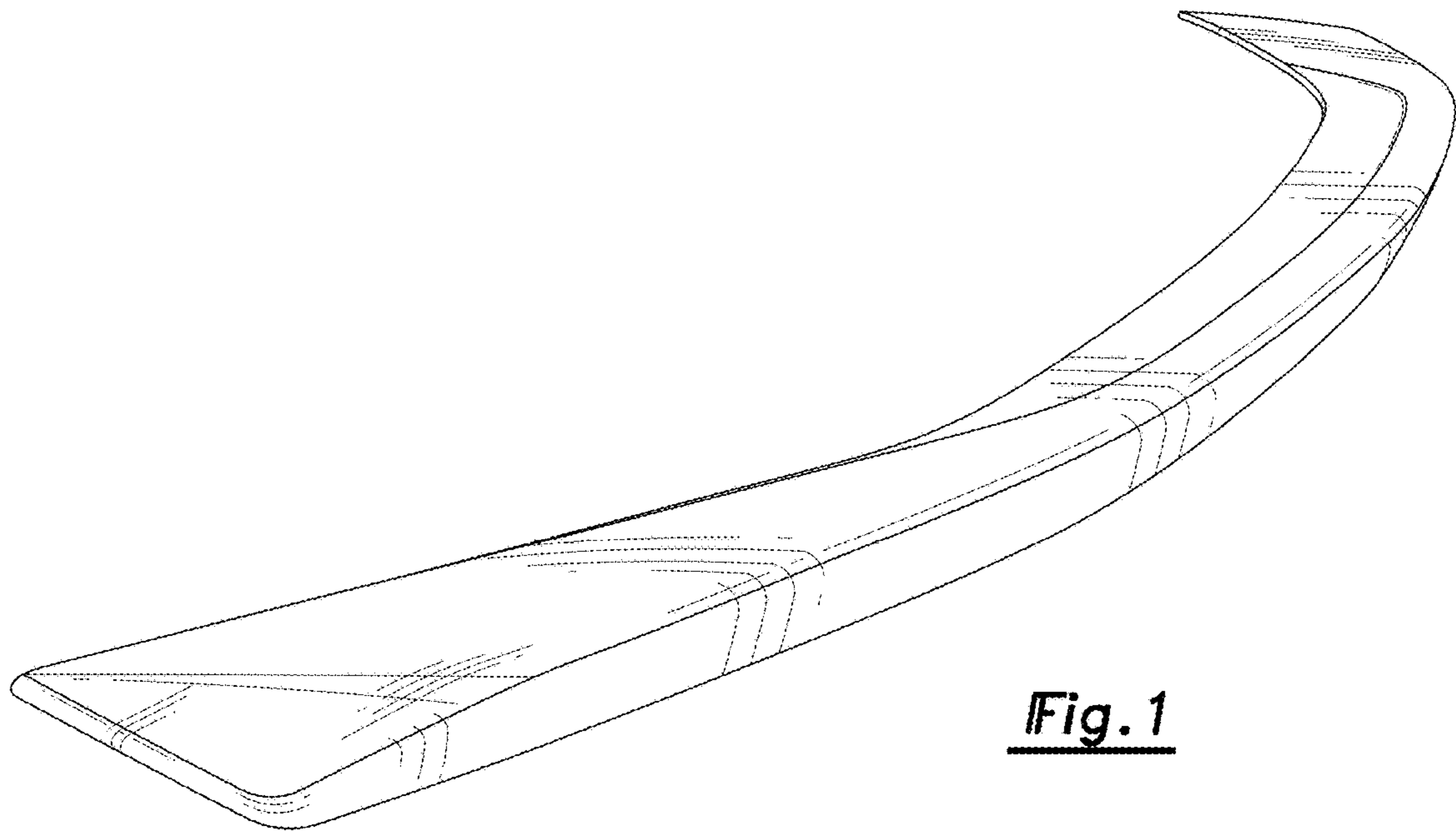


Fig. 1

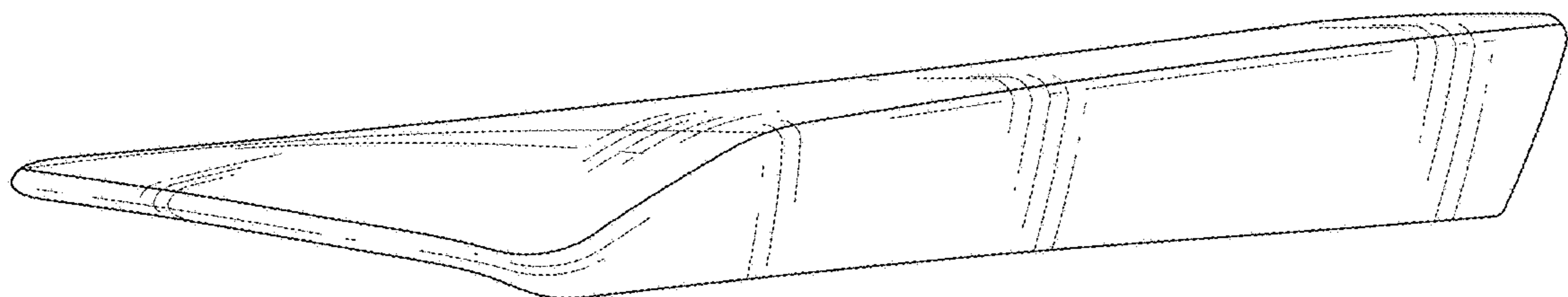


Fig. 2

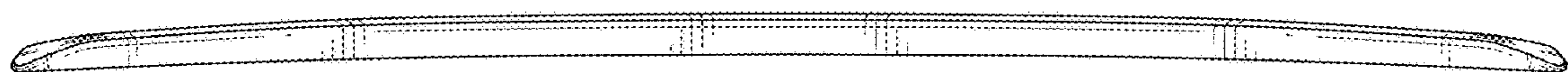


Fig. 3

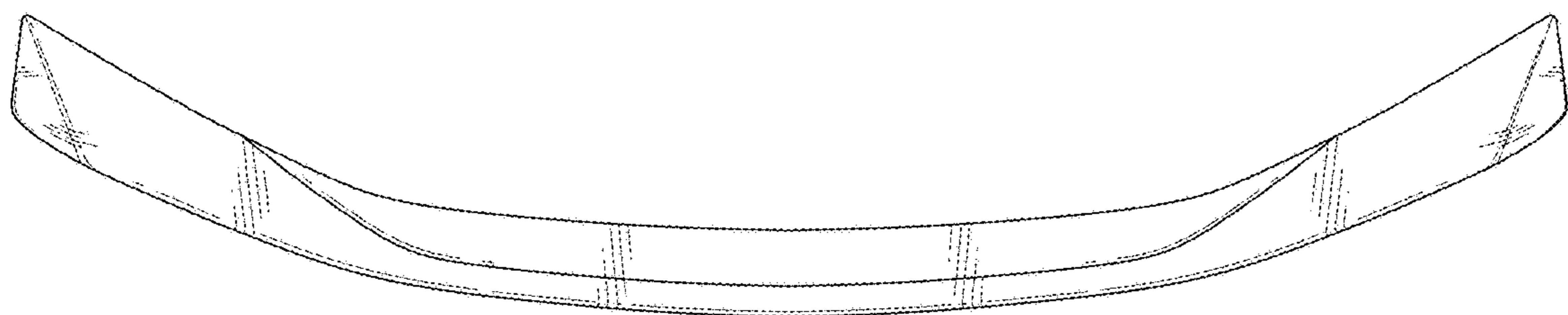


Fig. 4