



US00D784221S

(12) **United States Design Patent** (10) **Patent No.:** **US D784,221 S**  
**Lv et al.** (45) **Date of Patent:** **\*\* Apr. 18, 2017**

(54) **BRAKE DRUM**

(71) Applicant: **Shandong Haoxin Machinery Co., Ltd.**, Changyi, Shandong Province (CN)

(72) Inventors: **Jixian Lv**, Changyi (CN); **Guangming Pu**, Changyi (CN); **Shiyong Zhu**, Changyi (CN); **Shiyang Gao**, Changyi (CN); **Weidong Su**, Changyi (CN)

(73) Assignee: **SHANDONG HAOXIN MACHINERY CO., LTD.**, Changyi (CN)

(\*\*) Term: **14 Years**

(21) Appl. No.: **29/523,869**

(22) Filed: **Apr. 14, 2015**

(30) **Foreign Application Priority Data**

Mar. 24, 2015 (CN) ..... 2015 3 0071836

(51) **LOC (10) Cl.** ..... **12-16**

(52) **U.S. Cl.**  
USPC ..... **D12/180**

(58) **Field of Classification Search**  
USPC ..... D12/114, 121, 125, 174, 179, 180, 203, D12/400, 415, 16.1, 14, 118  
CPC ..... B64C 2201/024; B64C 2201/042; B64C 2201/146; B64C 2201/201; G05D 1/06; B60P 1/00; B60P 3/00; B60T 7/00; B60T 8/265; B60T 83/255; B60T 11/00; B60T 11/103; B60T 13/00; B60T 13/66; B60T 17/223; B60T 2201/00; B60T 2201/03; B60T 2260/00; B60T 2270/00; B60T 2270/82; B60T 2270/83; B60T 2270/84; B60T 1/06; B62L 1/02; B62L 3/02; B62K 23/06; F16D 55/224; F16D 55/228; F16D 65/092; F16D 65/095; F16D 65/847; F16D 65/12

See application file for complete search history.

(56) **References Cited**

U.S. PATENT DOCUMENTS

2,702,613 A \* 2/1955 Walther, Sr. .... F16D 65/10 188/218 R  
2,978,073 A \* 4/1961 Soddy ..... F16D 65/10 188/218 R  
4,796,728 A \* 1/1989 Kanengieter ..... F16D 55/38 188/18 A  
D340,024 S \* 10/1993 Passmore ..... D12/180  
D352,020 S \* 11/1994 Powers ..... D12/180  
5,509,510 A \* 4/1996 Ihm ..... F16D 65/125 164/112  
D373,839 S \* 9/1996 Rasul ..... D26/28

(Continued)

OTHER PUBLICATIONS

Volvo truck brake drum, image post date May 21, 2014, site visited Sep. 23, 2016, (online), <<https://www.tineye.com/search/b3ddb259a898bba331aa4c2b39e6f91935900b74/>>.\*

(Continued)

*Primary Examiner* — Kevin Rudzinski

*Assistant Examiner* — Sean D Lough

(74) *Attorney, Agent, or Firm* — Michael F. Fedrick; Loza & Loza, LLP

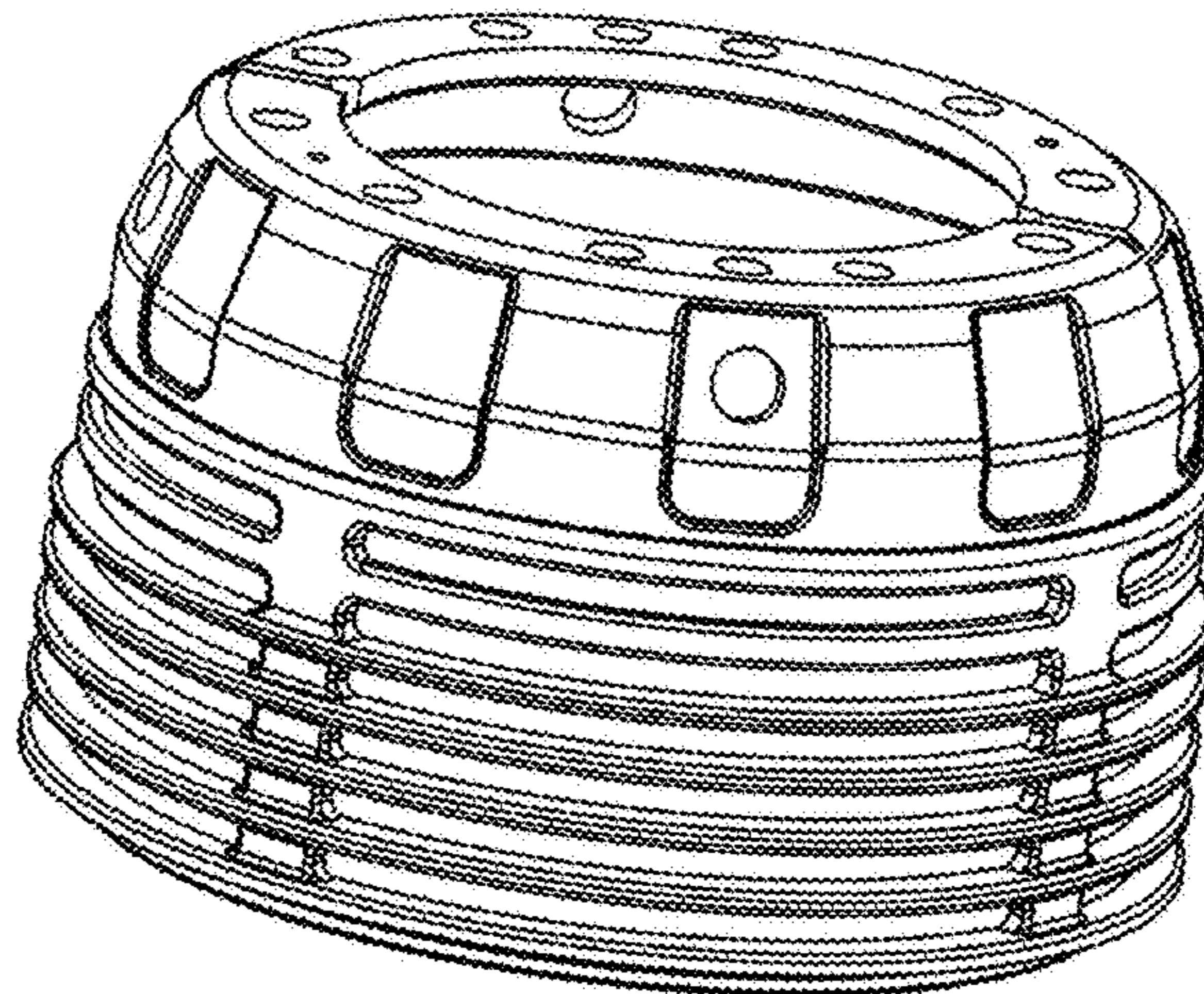
(57) **CLAIM**

The ornamental design for a brake drum, as shown and described.

**DESCRIPTION**

FIG. 1 is a perspective view of the brake drum;  
FIG. 2 is a front view thereof;  
FIG. 3 is a rear view thereof;  
FIG. 4 is a right side view thereof;  
FIG. 5 is a left side view thereof;  
FIG. 6 is a top view thereof; and,  
FIG. 7 is a bottom view thereof.

**1 Claim, 7 Drawing Sheets**



(56)

References Cited

U.S. PATENT DOCUMENTS

5,686,144 A \* 11/1997 Thebault ..... B05D 1/18  
427/282  
6,161,660 A \* 12/2000 Suga ..... F16D 65/0006  
188/218 XL  
6,186,292 B1 \* 2/2001 Dickerson ..... F16D 65/0006  
188/218 XL  
D449,025 S \* 10/2001 Nicol ..... D12/179  
6,308,803 B1 \* 10/2001 Oberti ..... F16D 65/127  
188/1.11 W  
D462,927 S \* 9/2002 Horner ..... D12/180  
6,531,011 B2 \* 3/2003 Gross ..... C04B 35/573  
156/293  
6,564,912 B1 \* 5/2003 Koschinat ..... F16D 65/12  
188/18 A  
D484,836 S \* 1/2004 Gavin ..... D12/180  
6,679,357 B1 \* 1/2004 Jenkinson ..... F16D 65/10  
188/218 R  
6,705,437 B2 \* 3/2004 Severinsson ..... F16D 65/12  
188/71.1  
7,325,659 B2 \* 2/2008 Pfaff ..... F16D 51/16  
188/218 R  
D565,487 S \* 4/2008 Zhang ..... D12/180  
7,410,036 B2 \* 8/2008 Wimmer ..... F16D 65/12  
188/18 A  
D585,345 S \* 1/2009 Maier ..... D12/180  
7,472,777 B2 \* 1/2009 Schlitz ..... F16D 65/12  
188/18 A  
D603,314 S \* 11/2009 Schmitz ..... D12/180  
D605,570 S \* 12/2009 Schmitz ..... D12/180  
D606,916 S \* 12/2009 Settineri ..... D12/180  
D607,796 S \* 1/2010 Schmitz ..... D12/180  
D608,706 S \* 1/2010 Schmitz ..... D12/180  
7,708,121 B1 \* 5/2010 Morais ..... F16D 65/00  
188/73.44  
D619,521 S \* 7/2010 Schmitz ..... D12/180  
7,784,592 B1 \* 8/2010 Denstedt ..... F16D 65/0006  
188/18 A  
7,854,301 B2 \* 12/2010 Chang ..... F16D 65/12  
188/18 A  
D637,125 S \* 5/2011 Griffin ..... D12/179  
7,967,115 B2 \* 6/2011 Keller ..... F16D 65/12  
188/218 XL  
D640,960 S \* 7/2011 Schmitz ..... D12/180  
D655,992 S \* 3/2012 Noyes ..... D12/180  
8,181,753 B2 \* 5/2012 Levering ..... F16D 65/827  
188/218 R  
8,460,137 B2 \* 6/2013 Kajigaya ..... F16H 9/18  
474/11  
D690,649 S \* 10/2013 Lin ..... D13/122

D691,528 S \* 10/2013 Joseph ..... D12/180  
D695,584 S \* 12/2013 Chen ..... D8/70  
8,631,915 B2 \* 1/2014 Rosenlocher ..... F16D 65/128  
188/218 XL  
D719,198 S \* 12/2014 Tsuchiya ..... D15/138  
9,103,394 B2 \* 8/2015 Cornett ..... F16D 65/10  
9,121,463 B2 \* 9/2015 Berwanger ..... F16D 65/10  
9,145,937 B2 \* 9/2015 Fakhoury ..... F16D 65/10  
9,291,227 B2 \* 3/2016 Burgoon ..... B60T 8/329  
9,322,443 B2 \* 4/2016 Bordere  
9,322,446 B2 \* 4/2016 Plantan ..... F16D 65/78  
9,355,346 B2 \* 5/2016 Butz ..... B60C 11/24  
2006/0076196 A1 \* 4/2006 Palladino ..... F16D 66/026  
188/1.11 W  
2011/0108378 A1 \* 5/2011 Leone ..... F16D 65/128  
188/218 XL  
2012/0168266 A1 \* 7/2012 Veneziano ..... F16D 65/12  
188/218 XL  
2013/0133998 A1 \* 5/2013 Maronati ..... F16D 65/123  
188/218 XL  
2015/0267768 A1 \* 9/2015 Butz ..... F16D 65/127  
188/1.11 W  
2016/0040770 A1 \* 2/2016 Pitcavage ..... F16H 57/04  
74/457  
2016/0195149 A1 \* 7/2016 Pu ..... F16D 65/12  
188/218 R

OTHER PUBLICATIONS

Brake Drum Massey Ferguson, image post date Apr. 18, 2008, site visited Sep. 23, 2016, (online), <<https://www.tineye.com/search/834c7d681188ad079100d4ec8c92cefa3caff9f2/>>.\*  
Front Wheel Mini Drum Brake, image post date May 22, 2013, site visited Sep. 23, 2016, (online), <<http://cyrilhuzeblog.com/2013/05/22/front-wheel-mini-drum-brake/>>.\*  
NeoBrake Premium Machine-Balanced Brake Drum, image post date Nov. 15, 2014, site visited Sep. 23, 2016, (online), <<http://neobrake.com/neobrake-debuts-machine-balanced-brake-drum/>>.\*  
Ford tractor brake drum, image post date Apr. 13, 2013, site visited Sep. 23, 2016, (online), <[http://web.archive.org/web/20130413110407/http://www.tractorpartsinc.com/ford\\_tractor\\_parts\\_brake\\_drum\\_c5nn1126e\\_3415\\_prd1.htm](http://web.archive.org/web/20130413110407/http://www.tractorpartsinc.com/ford_tractor_parts_brake_drum_c5nn1126e_3415_prd1.htm)>.\*  
Yadong Manufacturing Base Truck Brake Drum, image post date Mar. 15, 2010, site visited Sep. 23, 2016, (online), <<https://www.tineye.com/search/a60fd6c605bd35c039cfb3e289418388a61072fa/>>.\*  
Transit-Coach Brake Drums, image post date Jun. 15, 2013, site visited Sep. 23, 2016, (online), <[http://web.archive.org/web/20130615014908/http://www.webbwheel.com/severeduty/products\\_brakedrums\\_transit\\_coach.html](http://web.archive.org/web/20130615014908/http://www.webbwheel.com/severeduty/products_brakedrums_transit_coach.html)>.\*

\* cited by examiner



Figure 1

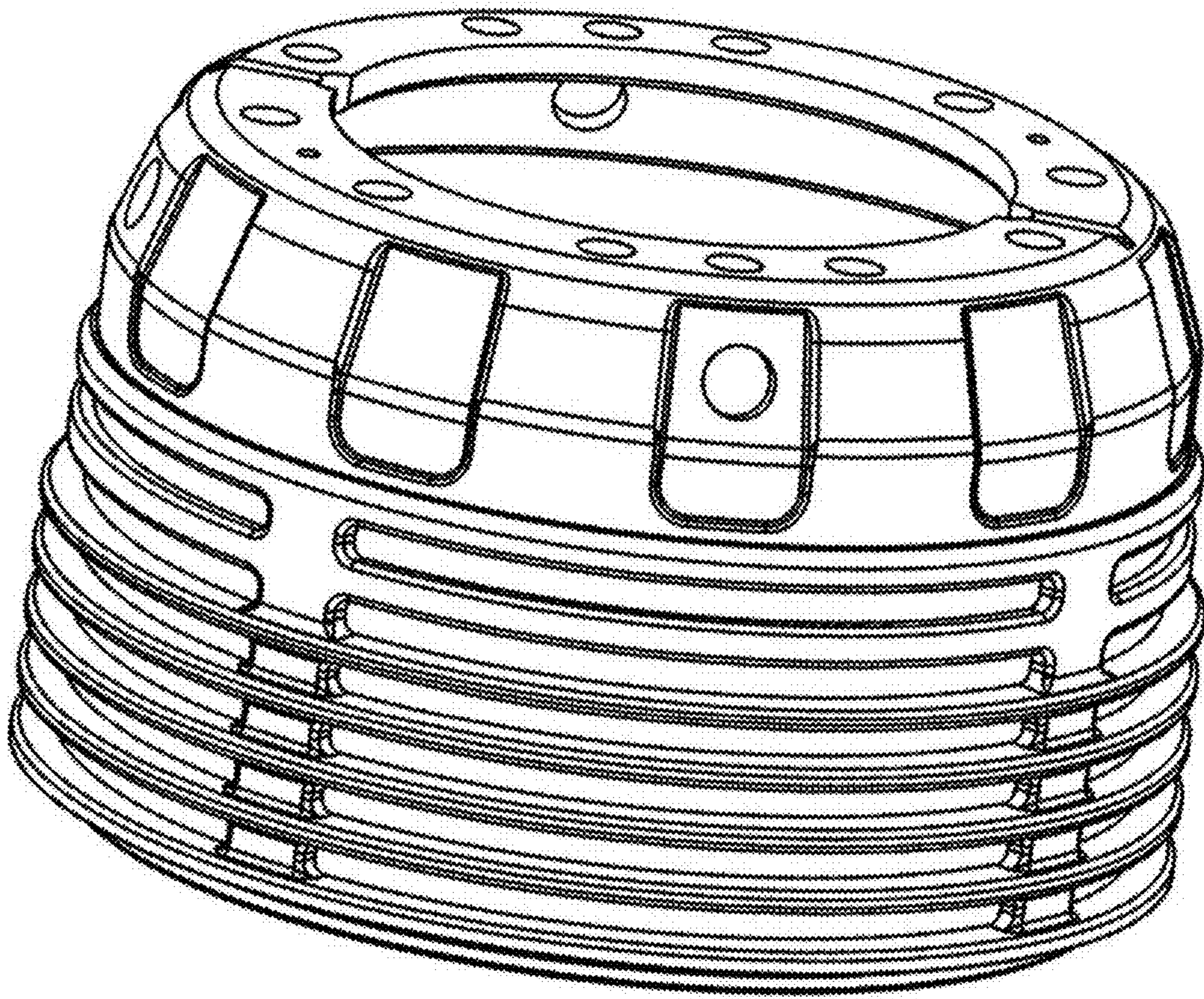




Figure 2

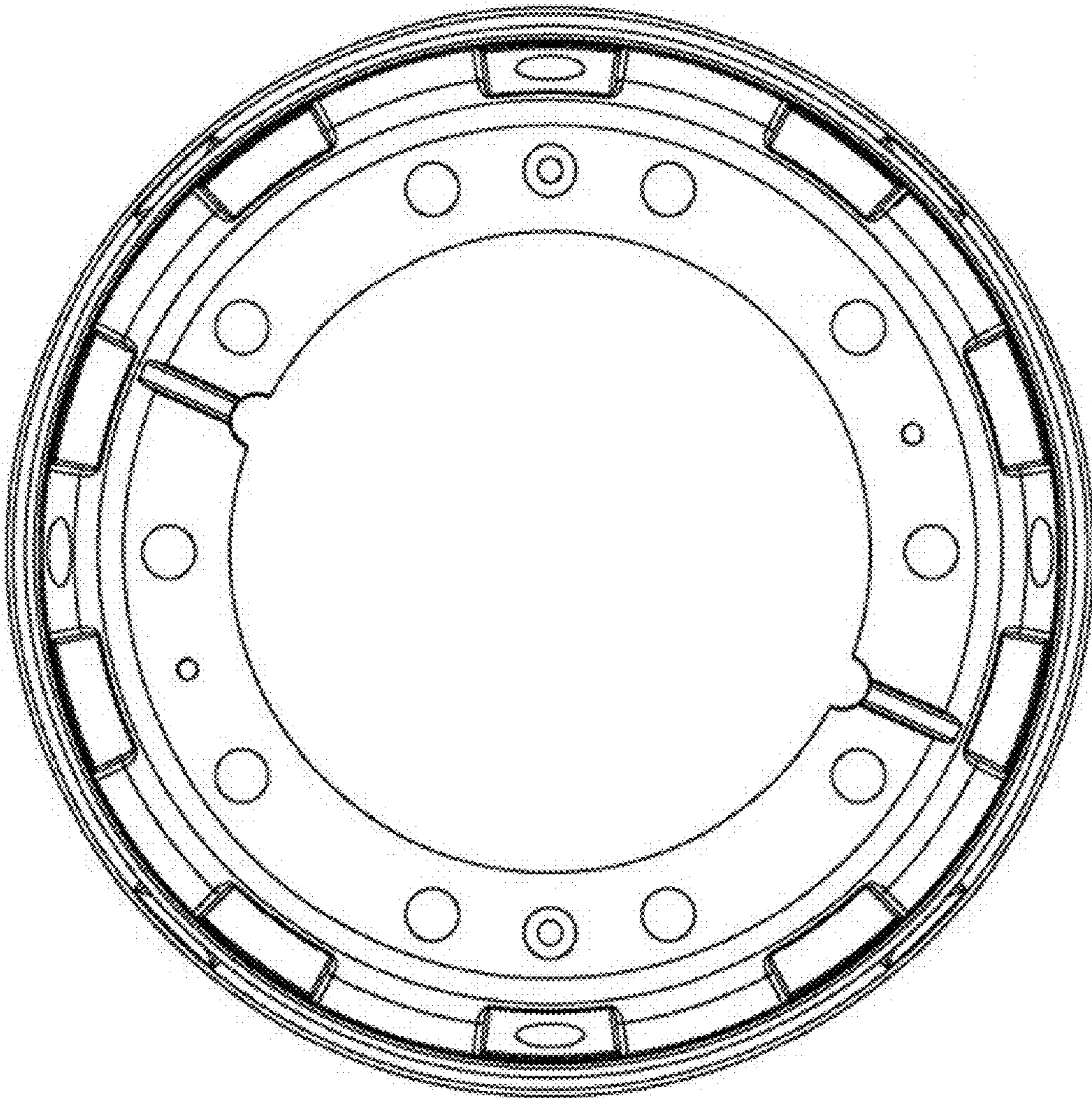


Figure 3

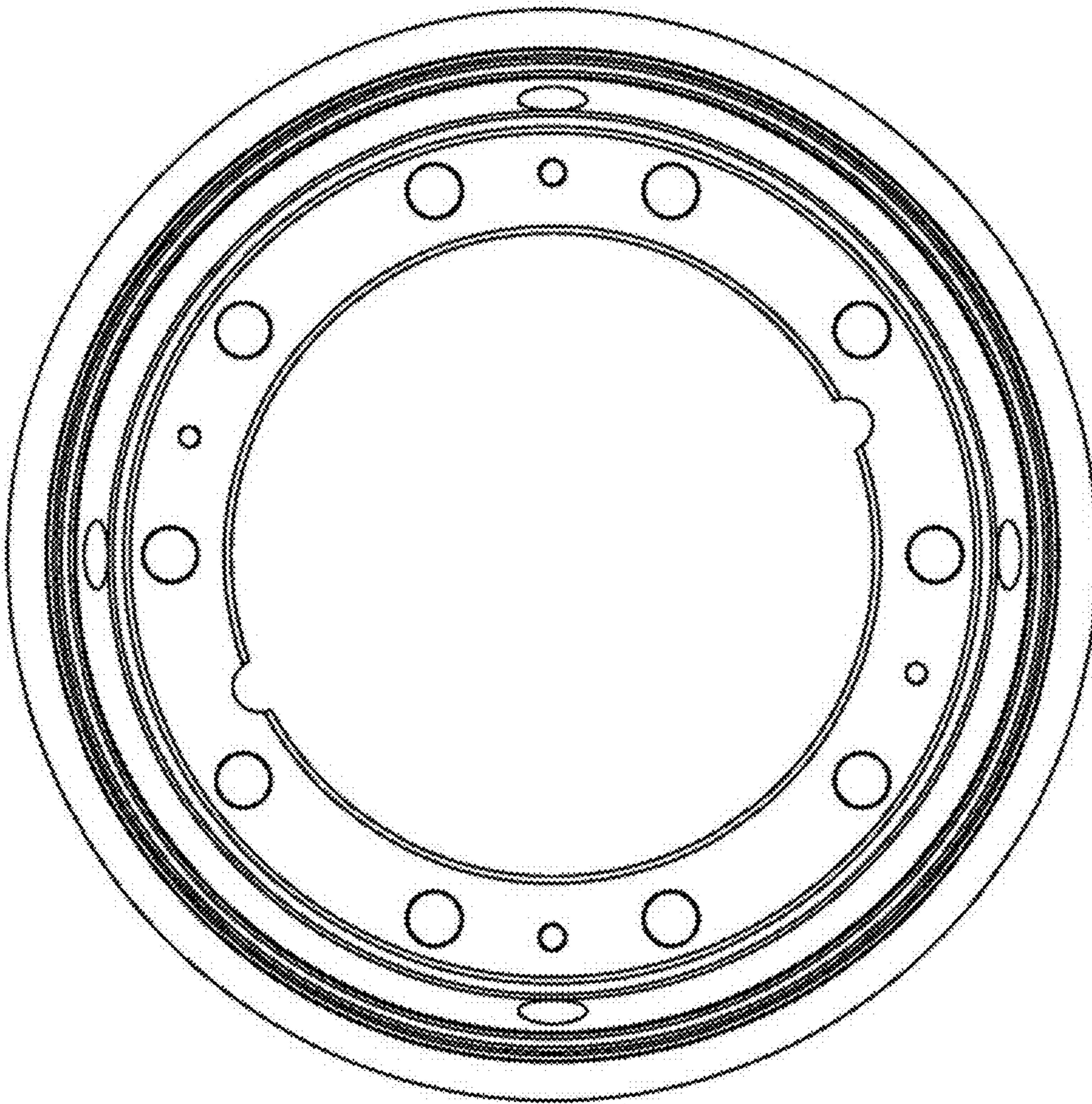




Figure 4

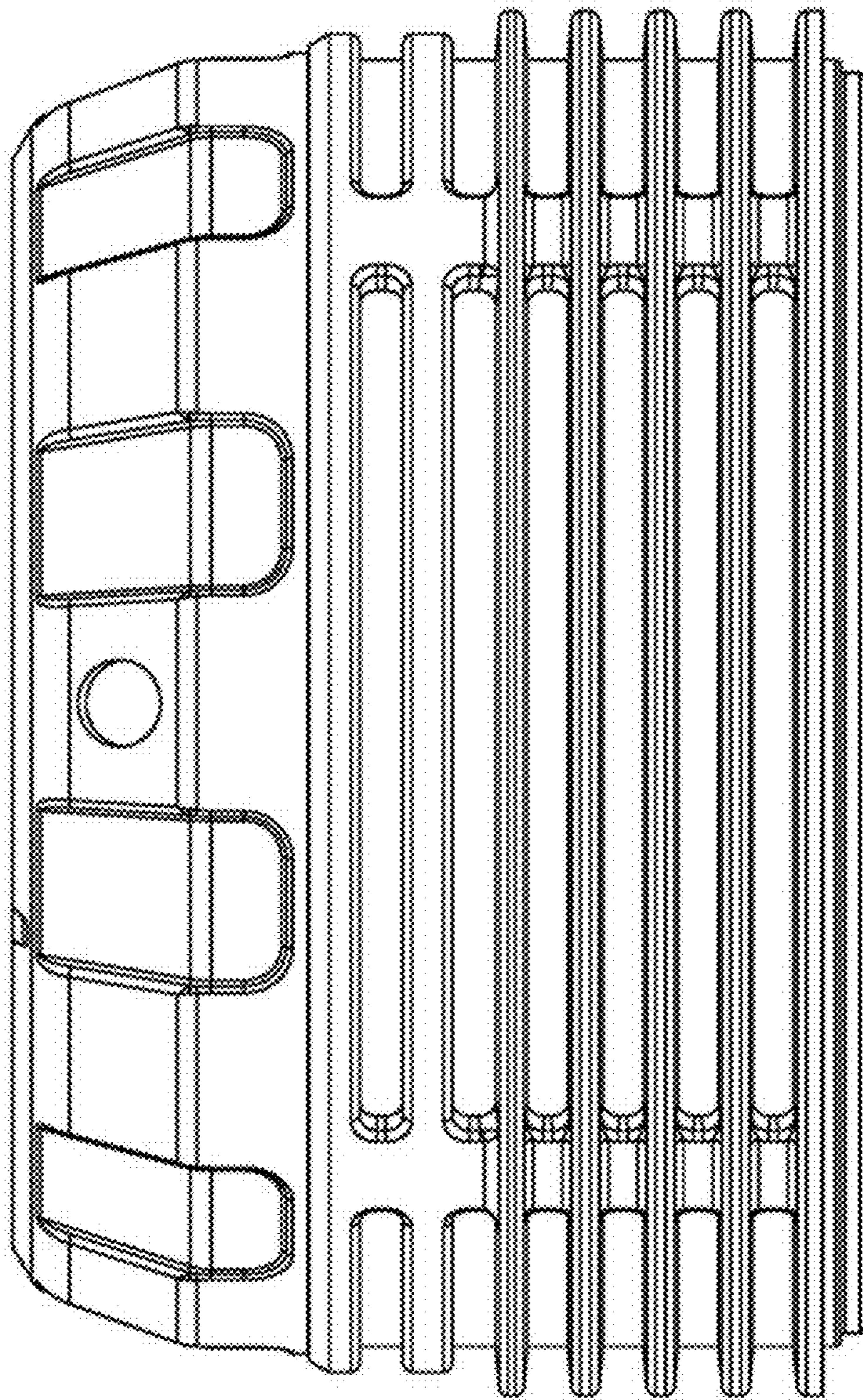




Figure 5

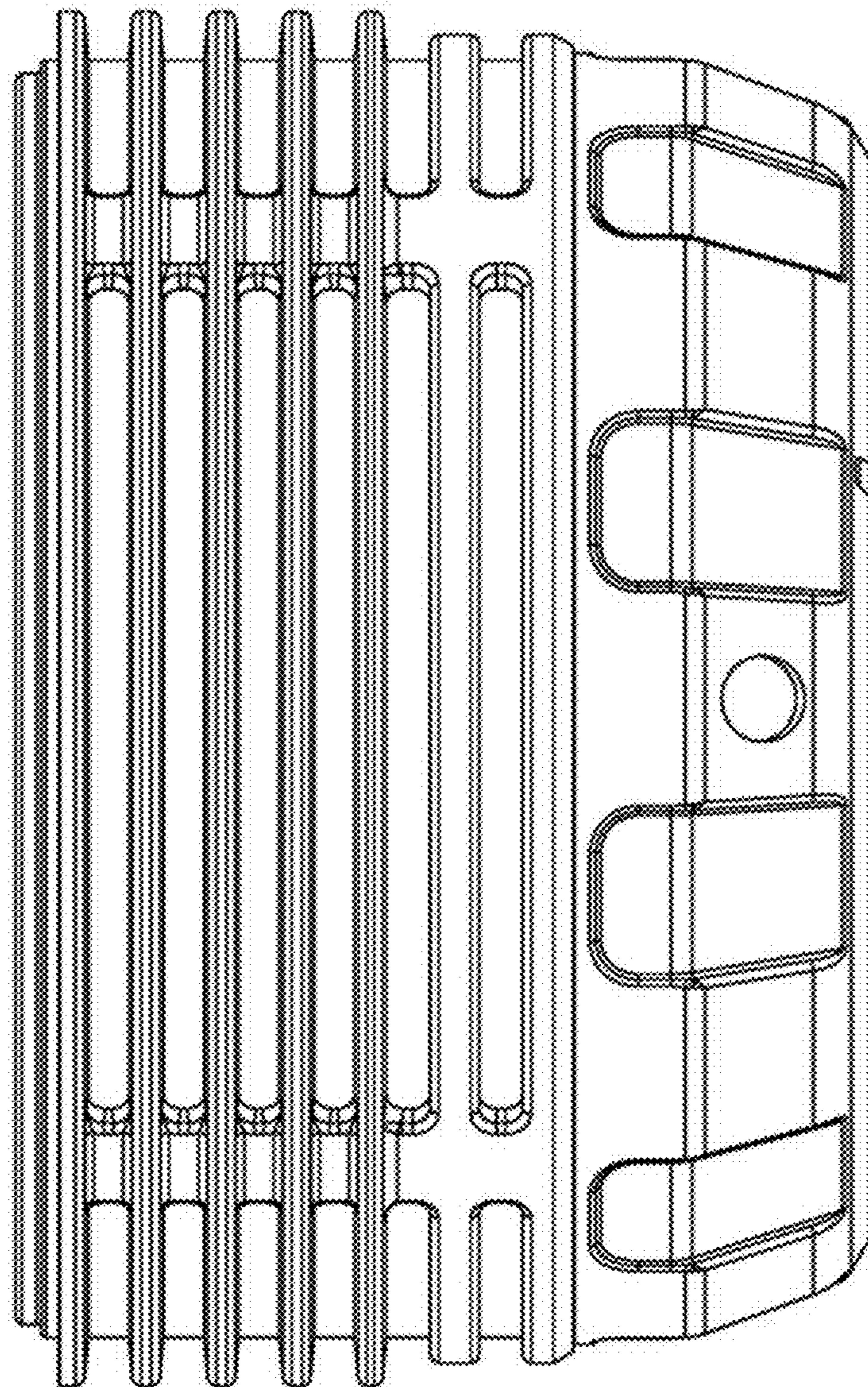


Figure 6

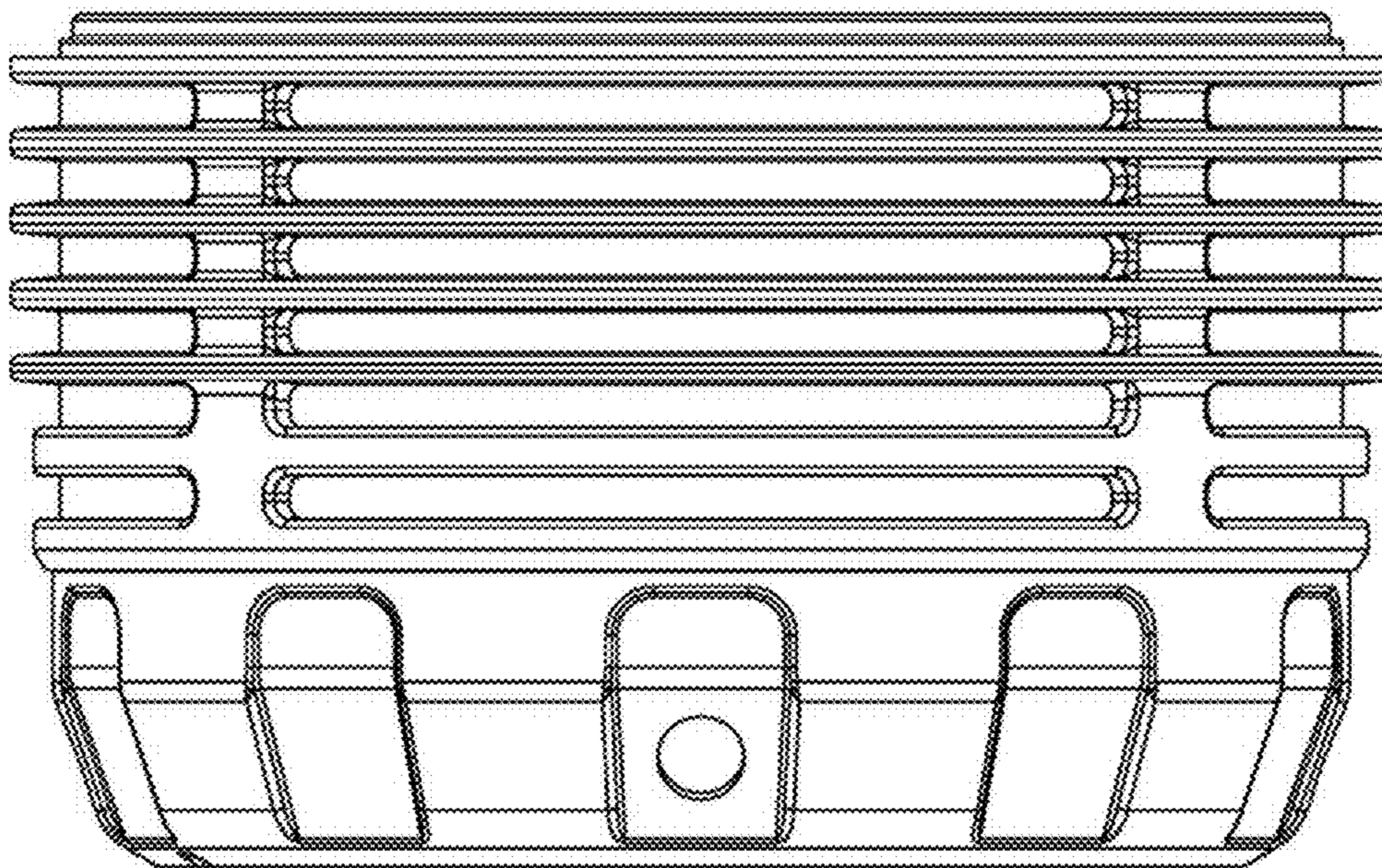




Figure 7

