



US00D784219S

(12) **United States Design Patent**
Jung

(10) **Patent No.:** **US D784,219 S**
(45) **Date of Patent:** **** Apr. 18, 2017**

(54) **ENGINE COVER**

(71) Applicant: **COBRA KING INDUSTRY CO., LTD.**, Yun Lin Hsien (TW)

(72) Inventor: **Wu-Chung Jung**, Yun Lin Hsien (TW)

(73) Assignee: **Cobra King Industry Co., Ltd.**, Yun Lin Hsien (TW)

(**) Term: **15 Years**

(21) Appl. No.: **29/556,772**

(22) Filed: **Mar. 3, 2016**

(51) **LOC (10) Cl.** **12-16**

(52) **U.S. Cl.**
USPC **D12/173**

(58) **Field of Classification Search**
USPC D12/173, 196, 86, 90-92, 181;
180/69.21, 69.2, 69.22; 296/190.1-190.5,
296/190.8, 193.11, 37.6
CPC B62D 25/10; B62D 25/06; B62D 65/02;
B62D 25/12; B60Q 1/00
See application file for complete search history.

(56) **References Cited**

U.S. PATENT DOCUMENTS

D389,109 S * 1/1998 Stollery D12/173
D464,006 S * 10/2002 Hoyle, Jr. D12/173

D497,854 S * 11/2004 Chiang D12/173
D514,483 S * 2/2006 Chiang D12/173
D518,761 S * 4/2006 Chiang D12/173
D579,832 S * 11/2008 Opfer D12/173
D590,744 S * 4/2009 Hammick D12/173
D686,121 S * 7/2013 McCabe D12/173
D709,002 S * 7/2014 Ito D12/173
D744,391 S * 12/2015 Beaven D12/173
D775,021 S * 12/2016 Harriton D12/173

* cited by examiner

Primary Examiner — Melody N Brown

(74) *Attorney, Agent, or Firm* — Rosenberg, Klein & Lee

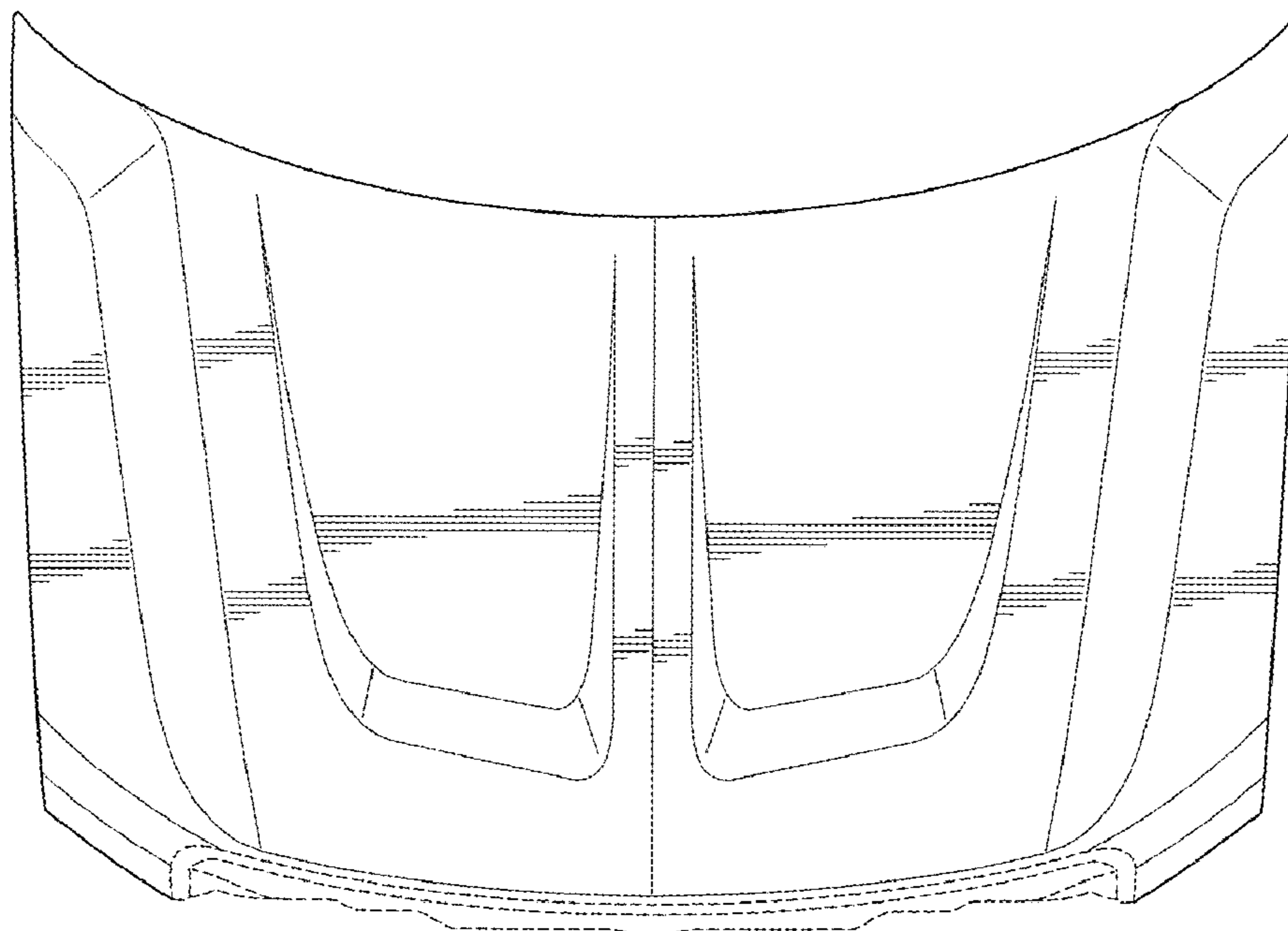
(57) **CLAIM**

The ornamental design for an engine cover, as shown and described.

DESCRIPTION

FIG. 1 is a perspective view of an engine cover showing my new design;
FIG. 2 is a front elevational view thereof;
FIG. 3 is a rear elevational view thereof;
FIG. 4 is a left side elevational view thereof;
FIG. 5 is a right side elevational view thereof;
FIG. 6 is a top plan view thereof; and,
FIG. 7 is a bottom plan view thereof.
The broken line showing of text in FIGS. 1-7 is included for the purpose of illustrating and forms no part of the claimed design.

1 Claim, 7 Drawing Sheets



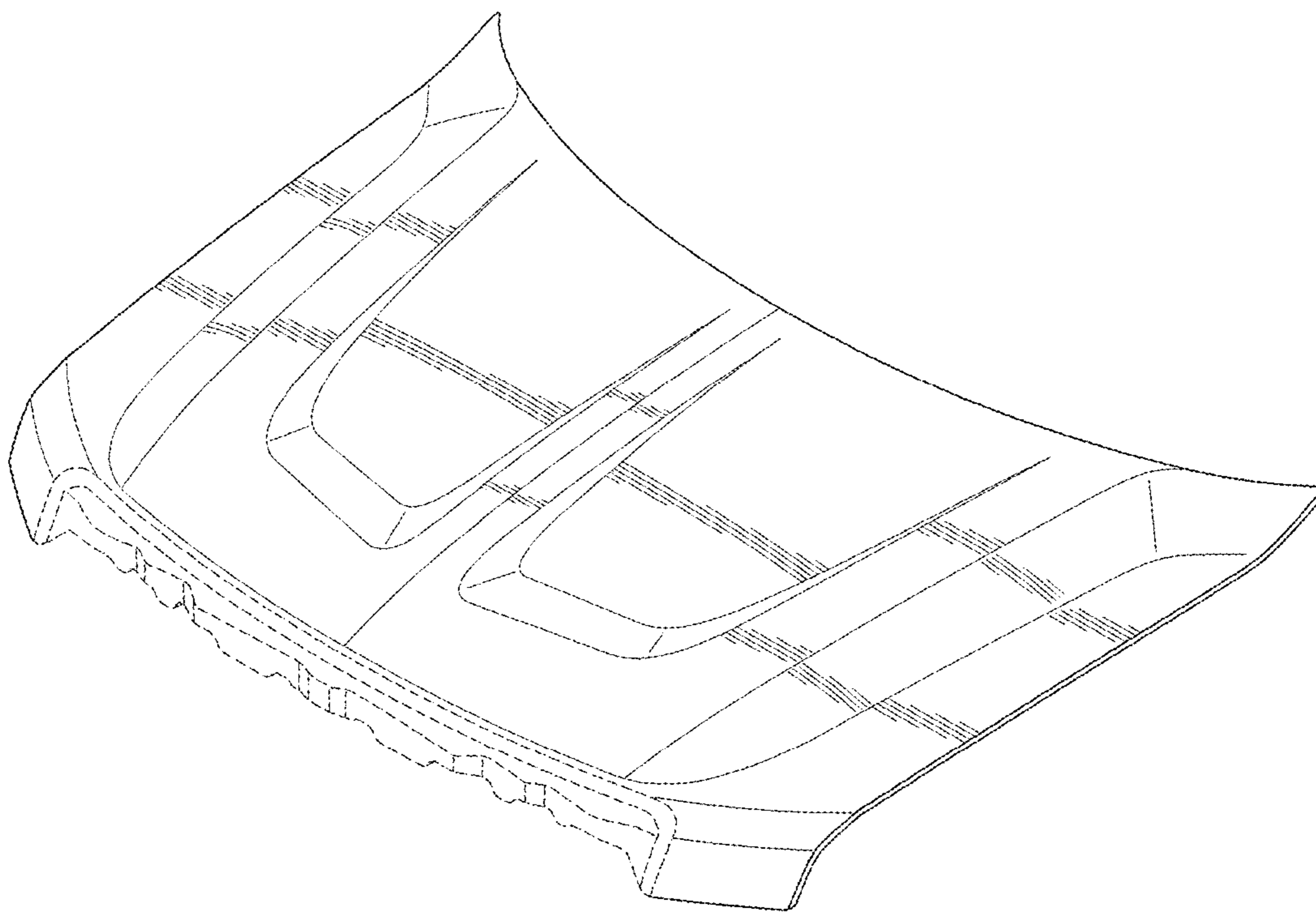


FIG. 1

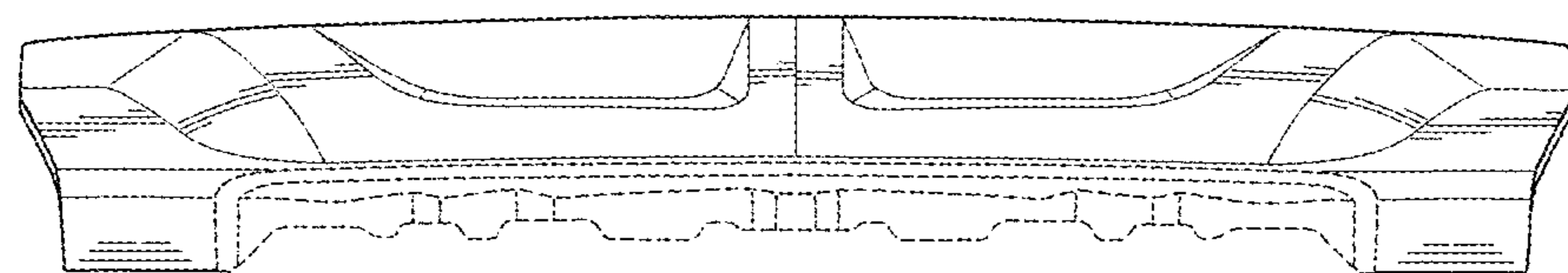


FIG. 2

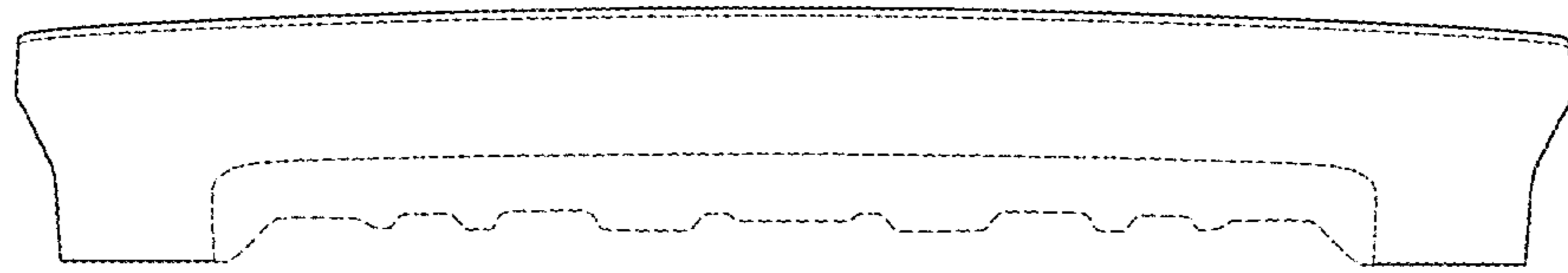


FIG. 3

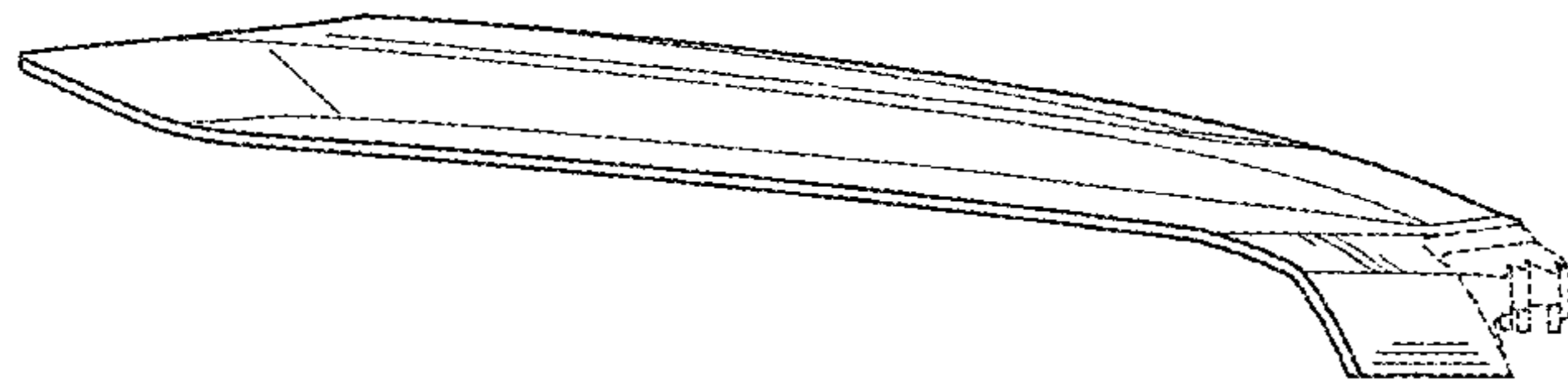


FIG. 4

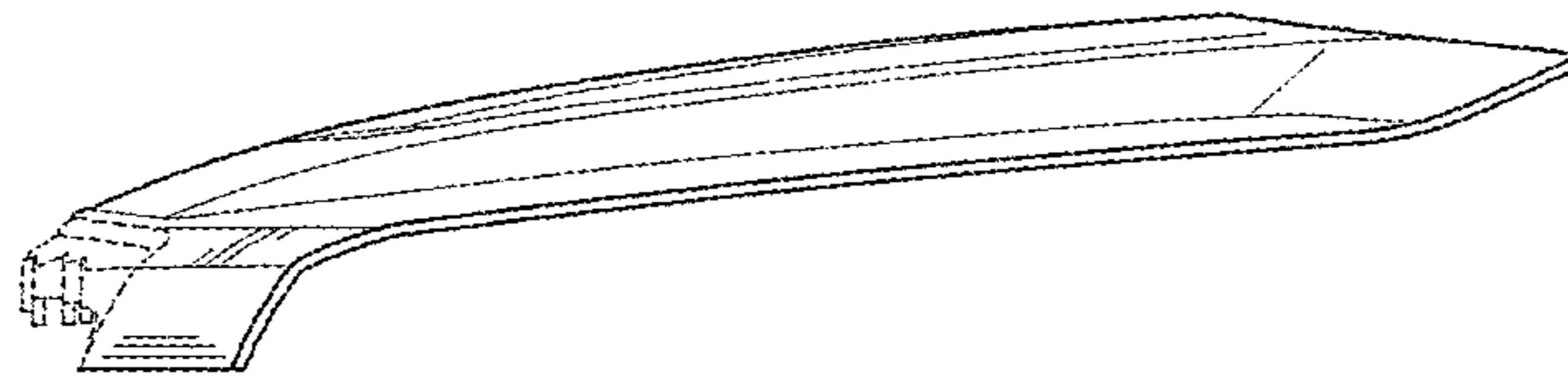


FIG. 5

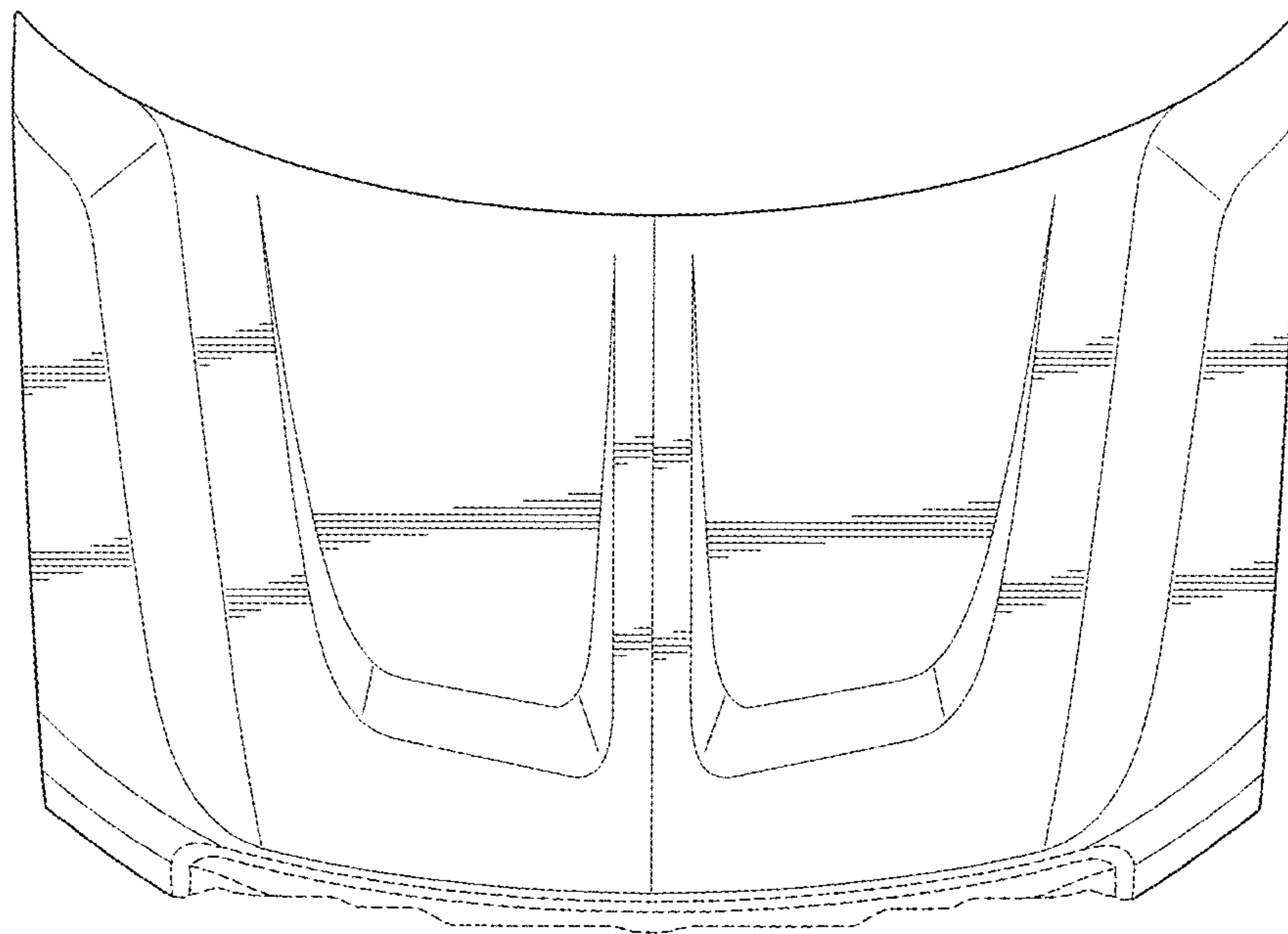


FIG. 6

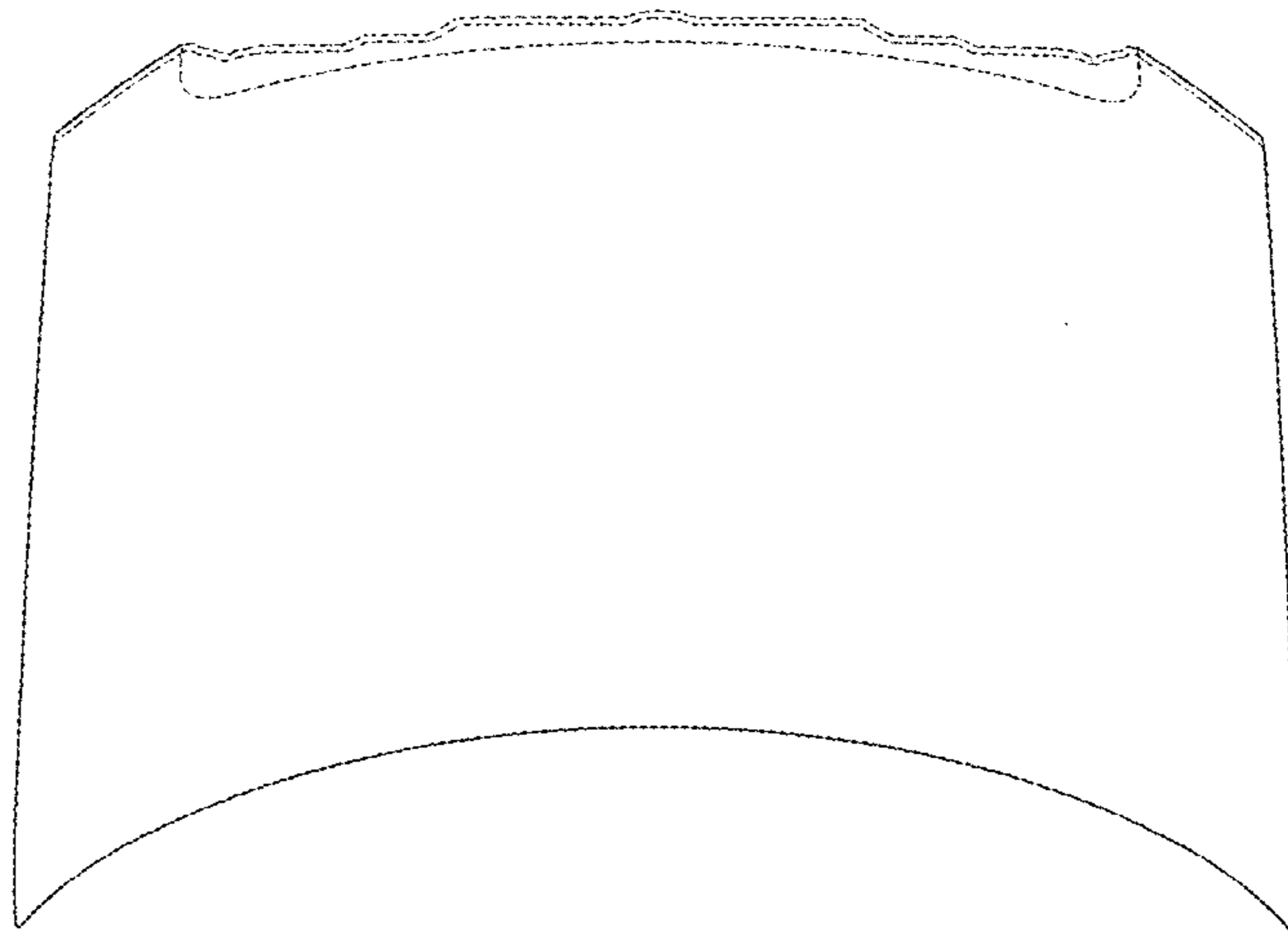


FIG. 7