



US00D784217S

(12) **United States Design Patent** (10) **Patent No.:** **US D784,217 S**
Oda (45) **Date of Patent:** **** Apr. 18, 2017**

(54) **FRONT BUMPER FOR AUTOMOBILE**
(71) Applicant: **Nissan Motor Co., Ltd.**, Yokohama,
Kanagawa (JP)
(72) Inventor: **Hiroshi Oda**, Kanagawa (JP)
(73) Assignee: **Nissan Motor Co., Ltd.**, Yokohama
(JP)

D733,623 S * 7/2015 Robinson D12/169
D735,095 S * 7/2015 Kawasaki
D743,854 S * 11/2015 Miyazawa D12/169
D744,914 S * 12/2015 Loeb D12/169
D745,837 S * 12/2015 Smith D12/169
D749,021 S * 2/2016 Boniface D12/169
D749,022 S * 2/2016 Nakahara D12/169
D754,575 S * 4/2016 Varga D12/169
D757,616 S * 5/2016 Lesnik D12/169
D760,631 S * 7/2016 Choi D12/169
D771,531 S * 11/2016 Varga D12/169

(**) Term: **15 Years**

(Continued)

(21) Appl. No.: **29/558,233**

FOREIGN PATENT DOCUMENTS

(22) Filed: **Mar. 16, 2016**

JP D. 1454380 S 11/2012
JP D. 1473886 S 7/2013

(30) **Foreign Application Priority Data**

(Continued)

Sep. 17, 2015 (JP) 2015-020702

Primary Examiner — Darlington Ly

(51) **LOC (10) Cl.** **12-16**

(74) *Attorney, Agent, or Firm* — Global IP Counselors,
LLP

(52) **U.S. Cl.**
USPC **D12/169**

(57) **CLAIM**

(58) **Field of Classification Search**
USPC D12/86, 90, 91, 92, 163, 164, 169, 171,
D12/196, 216; 180/68.4, 68.6; 293/102,
293/112, 113, 115, 117, 120; 296/180.1,
296/180.2

The ornamental design for a front bumper for automobile, as
shown and described.

CPC B60R 19/02; B60R 19/18; B60R 19/24;
B60R 19/56; B60R 2019/007

DESCRIPTION

See application file for complete search history.

FIG. 1 is a front elevation view of a front bumper for
automobile showing my new design;
FIG. 2 is a top plan view thereof;
FIG. 3 is a bottom plan view thereof;
FIG. 4 is a left side elevation view thereof;
FIG. 5 is a right side elevation view thereof;
FIG. 6 is a front, top, and left side perspective view thereof;
and,
FIG. 7 is a front, bottom, and right side perspective view
thereof.

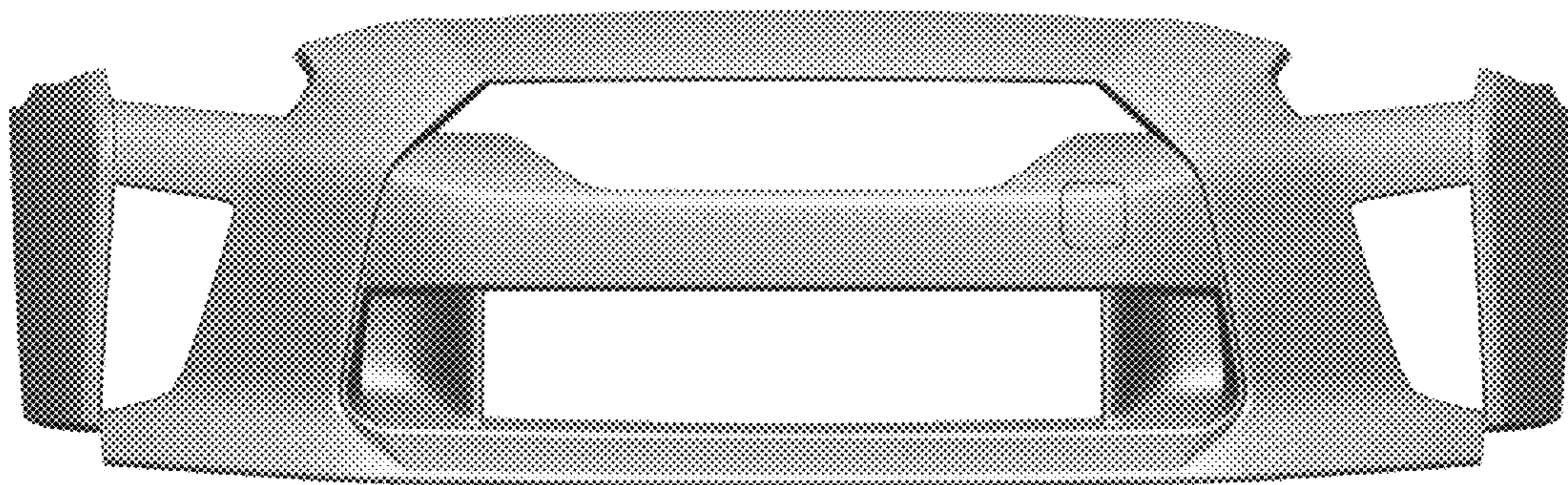
(56) **References Cited**

The rear surfaces of the front bumper for automobile shown
in the figures as darken areas forms no part of the claimed
design.

U.S. PATENT DOCUMENTS

D684,904 S 6/2013 Tase et al.
D699,166 S 2/2014 Abe et al.
D712,801 S * 9/2014 Kobayashi D12/169
D717,703 S * 11/2014 Munson D12/169
D718,676 S * 12/2014 Ishizuka D12/169
D718,677 S * 12/2014 Whang D12/169
D722,925 S * 2/2015 Kato D12/169
D728,676 S 5/2015 Reines et al.

1 Claim, 7 Drawing Sheets



(56)

References Cited

U.S. PATENT DOCUMENTS

D771,532 S * 11/2016 Kapitonov D12/169
D772,766 S * 11/2016 Kozub D12/169
D773,349 S * 12/2016 Munakata D12/169
D773,350 S * 12/2016 Lee D12/169
D773,965 S * 12/2016 Morikawa D12/169
D775,010 S * 12/2016 Kim D12/169
2009/0243315 A1* 10/2009 Goldsberry B60R 19/18
293/155
2013/0107046 A1* 5/2013 Fogue B60R 11/04
348/148
2014/0291056 A1* 10/2014 Takanaga B60K 11/085
180/274
2016/0144900 A1* 5/2016 Fortin B60R 19/023
296/193.1

FOREIGN PATENT DOCUMENTS

JP D. 1475447 S 7/2013
JP D. 1458597 S 12/2013
JP D. 1486324 S 12/2013
JP D. 1486863 S 12/2013
JP D. 1499097 S 6/2014
JP D. 1499562 S 6/2014
JP D. 1489459 S 2/2015
JP D. 1519224 S 3/2015
JP D. 1501248 S 6/2015
JP D. 1530346 S 8/2015
JP D. 1530844 S 8/2015
JP D. 1540308 S 12/2015
JP D. 1530570 S 3/2016
JP D. 1545350 S 3/2016
JP D. 1549945 S 5/2016
JP D. 1549967 S 5/2016
JP D. 1549996 S 5/2016

* cited by examiner

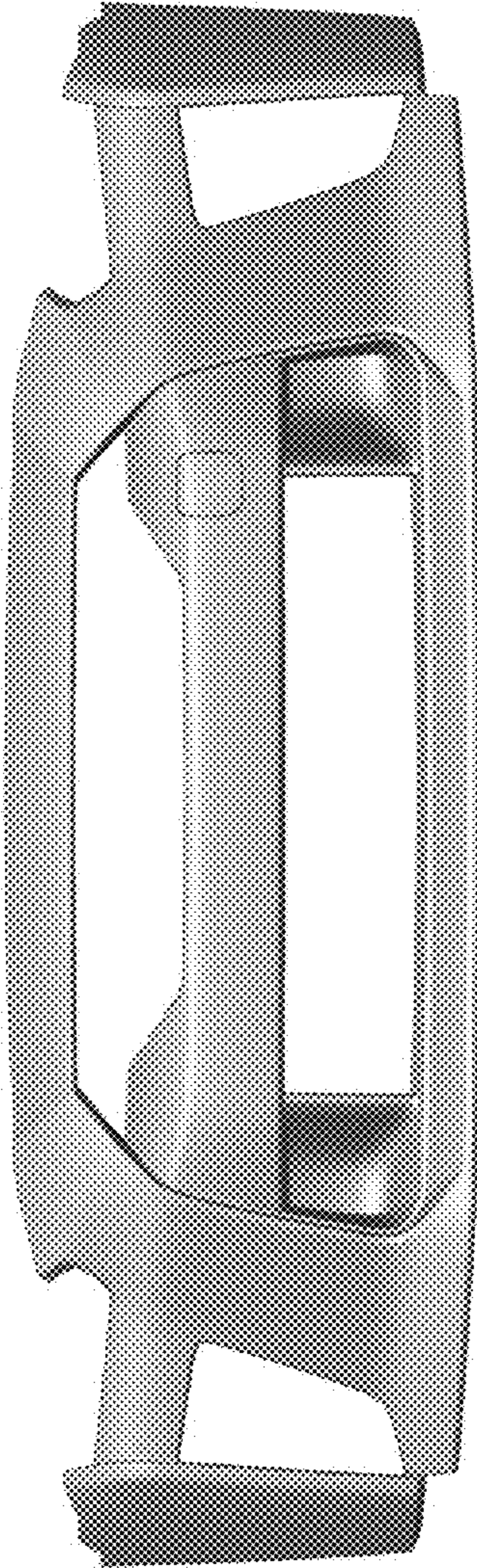


FIG. 1

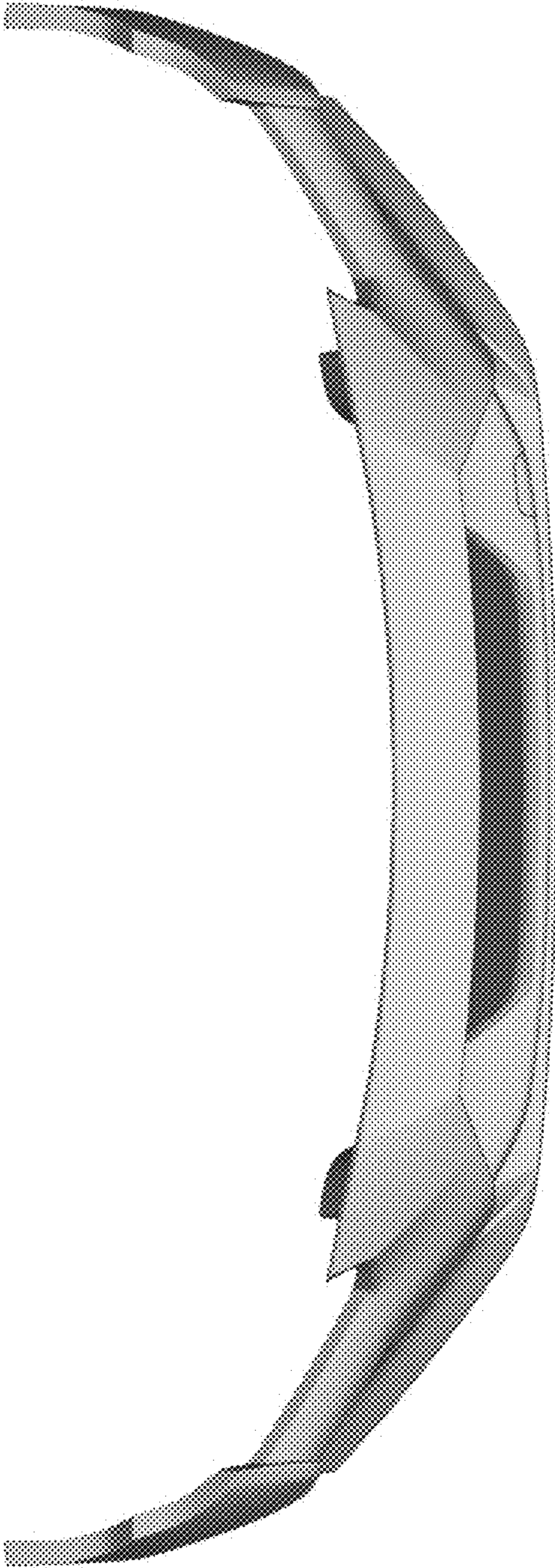


FIG. 2

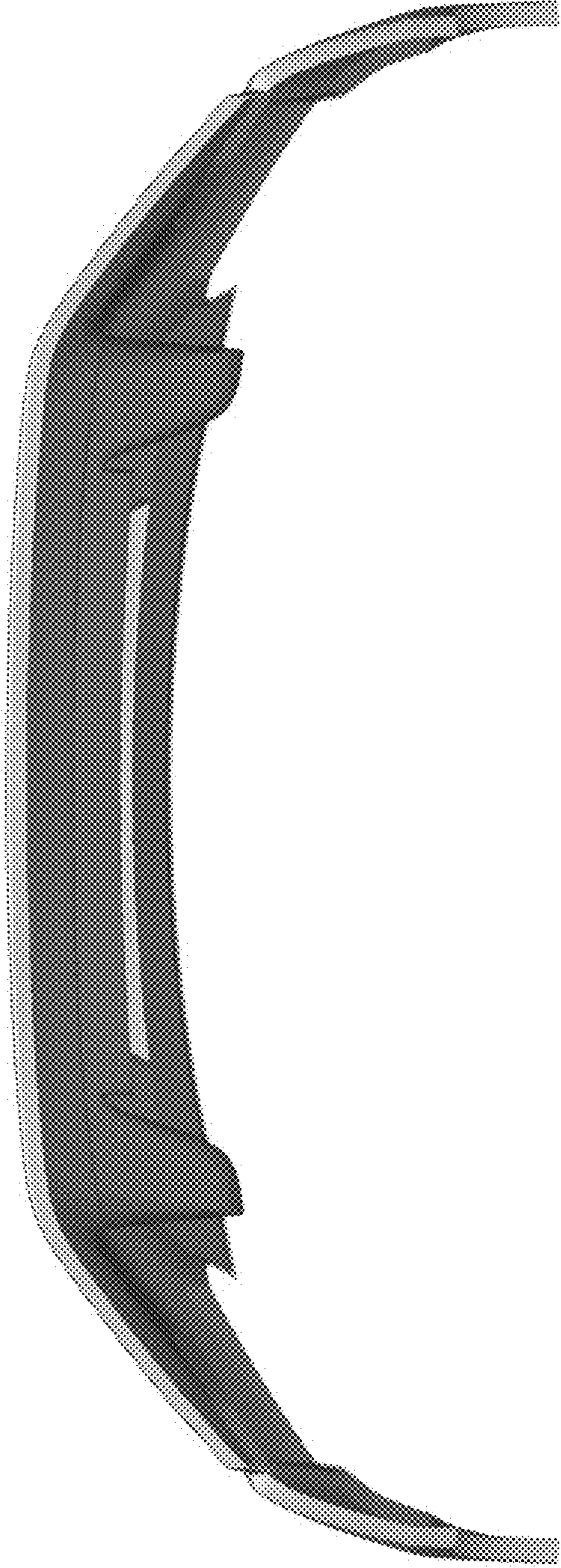


FIG. 3

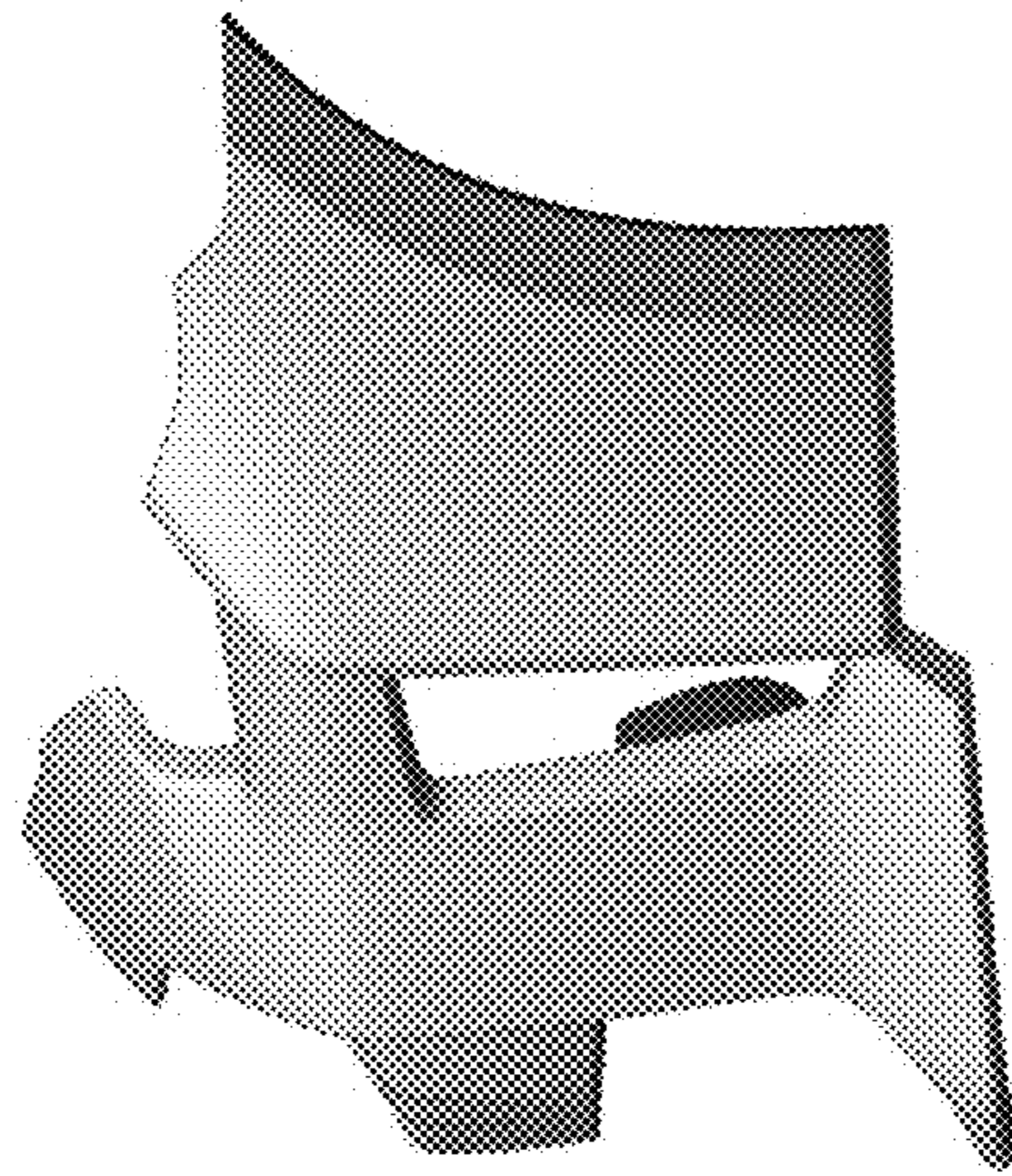


FIG. 4

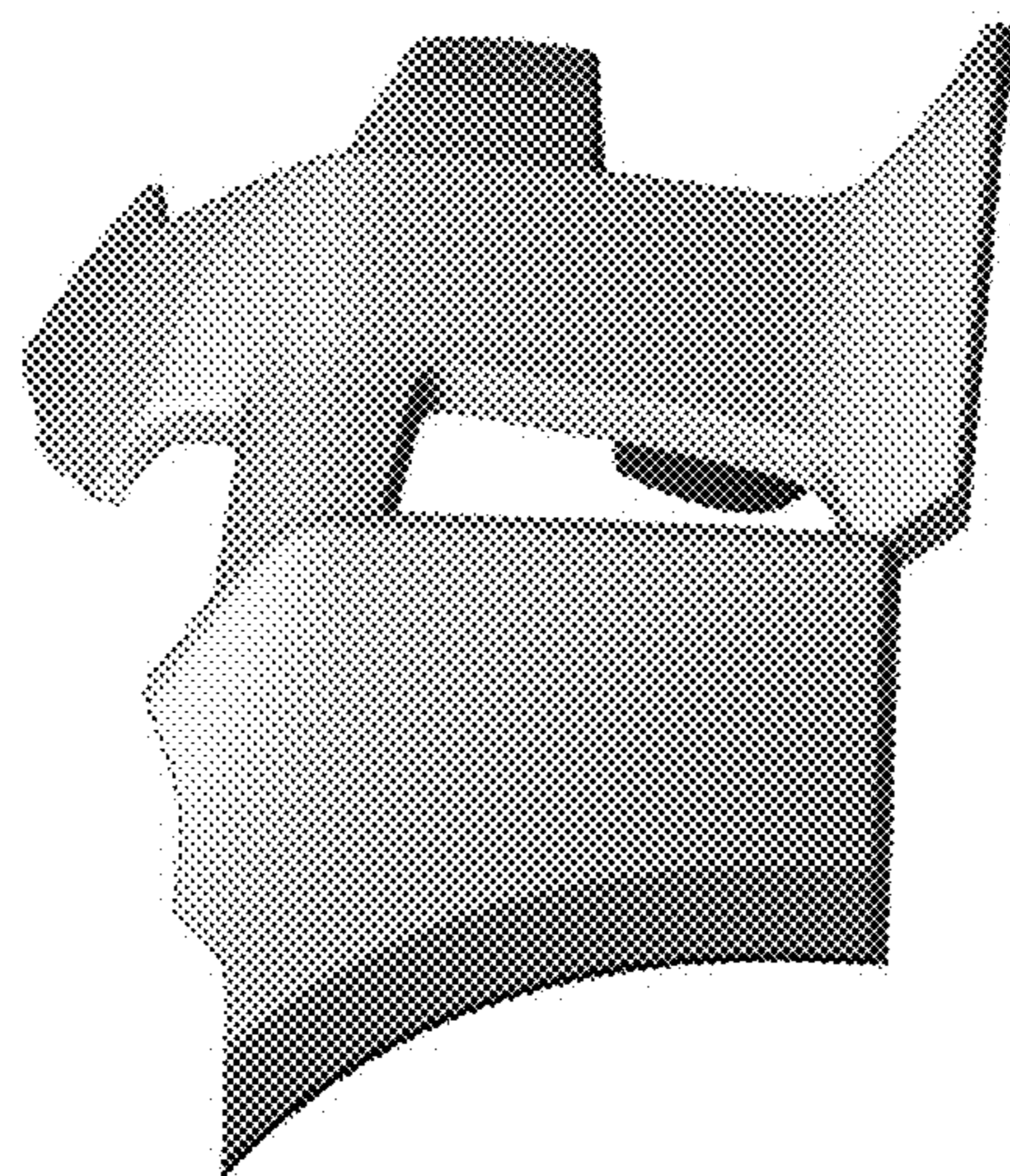


FIG. 5

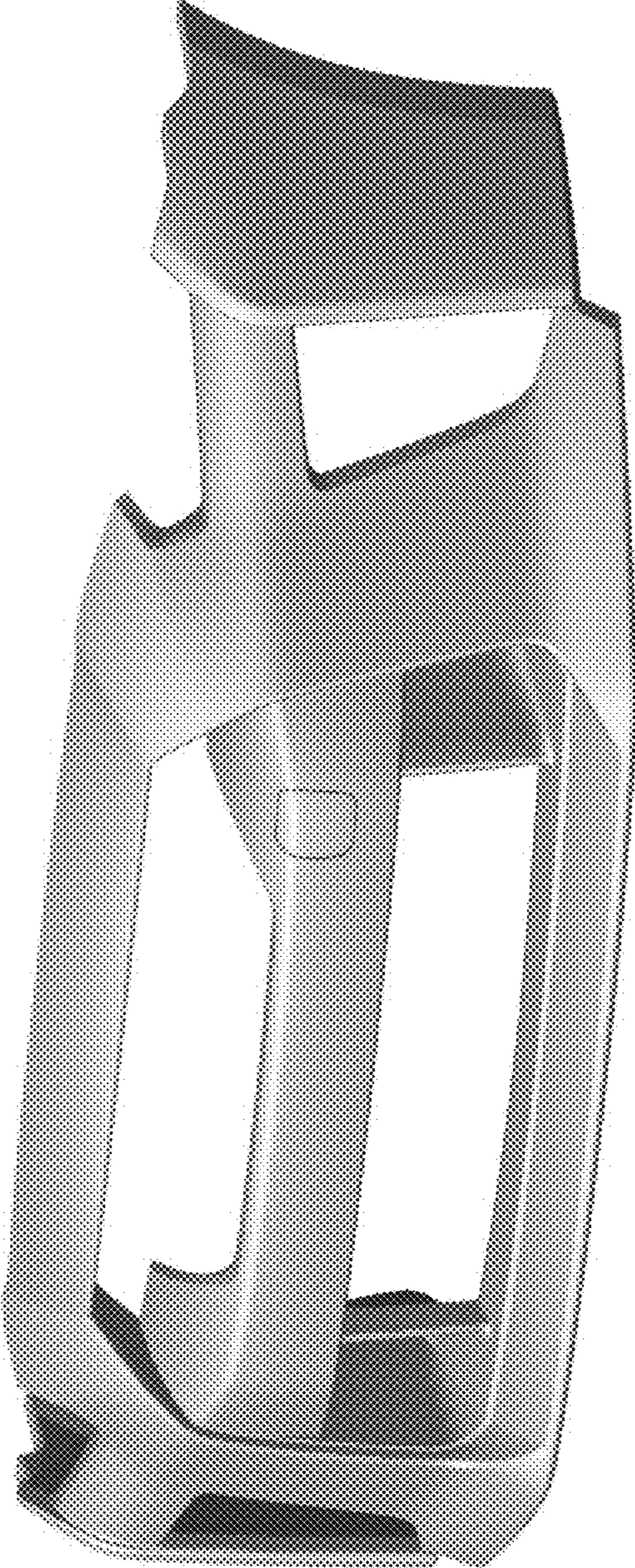


FIG. 6

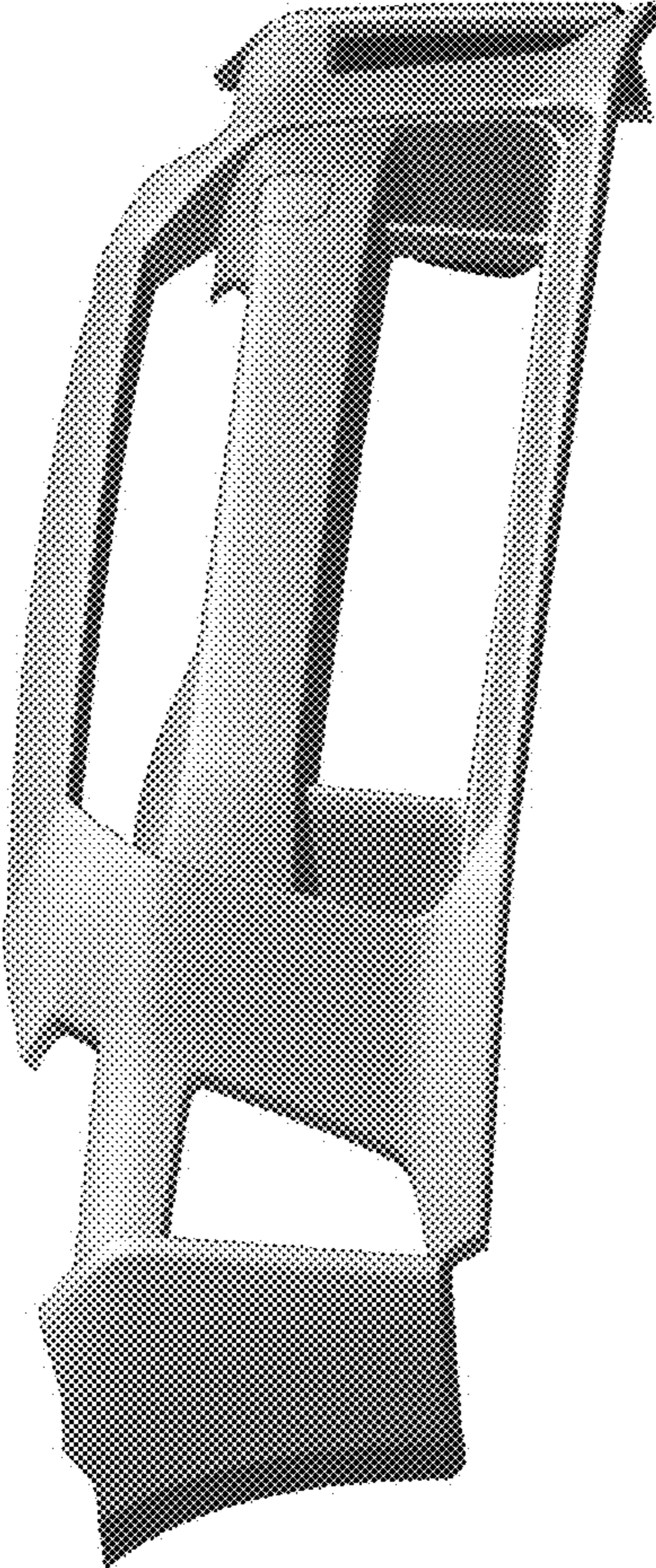


FIG. 7