



US00D784214S

(12) **United States Design Patent**
Kanasugi et al.

(10) **Patent No.:** **US D784,214 S**

(45) **Date of Patent:** **** Apr. 18, 2017**

(54) **FRONT BUMPER FOR A MOTOR VEHICLE**

(71) Applicants: **Tsuneo Kanasugi**, Toyota (JP); **Koichi Suga**, Toyota (JP); **Satoshi Kimura**, Nagakute (JP); **Nozomi Hirai**, Toyota (JP)

(72) Inventors: **Tsuneo Kanasugi**, Toyota (JP); **Koichi Suga**, Toyota (JP); **Satoshi Kimura**, Nagakute (JP); **Nozomi Hirai**, Toyota (JP)

(73) Assignee: **Toyota Jidosha Kabushiki Kaisha**, Toyota-shi, Aichi-ken (JP)

(**) Term: **15 Years**

(21) Appl. No.: **29/536,832**

(22) Filed: **Aug. 19, 2015**

(30) **Foreign Application Priority Data**

Feb. 20, 2015 (JP) 2015-003448
Feb. 20, 2015 (JP) 2015-003449

(51) **LOC (10) Cl.** **12-08**

(52) **U.S. Cl.**
USPC **D12/169**

(58) **Field of Classification Search**
USPC D12/86-92, 163-172; 293/102-155;
296/35.2, 193.09, 193.1, 203.02
CPC B60R 19/02; B60R 19/023; B60R 19/18;
B60R 19/24; B60R 19/44; B60R 19/48;
B60R 19/56; B60R 2019/527; B60R
2019/1886

See application file for complete search history.

(56) **References Cited**

U.S. PATENT DOCUMENTS

D666,129 S * 8/2012 Iida D12/163
D671,036 S * 11/2012 Inatomi D12/92

(Continued)

OTHER PUBLICATIONS

Geiger, Jennifer. "2016 Lexus RX: First Look." cars.com. Apr. 1, 2015. Accessed Jul. 22, 2016. Available online at URL: <<https://www.cars.com/articles/2016-lexus-rx-first-look-1420680158886/>>.*

(Continued)

Primary Examiner — Cathron Brooks

Assistant Examiner — Christian P McLean

(74) *Attorney, Agent, or Firm* — Finnegan, Henderson, Farabow, Garrett & Dunner, L.L.P.

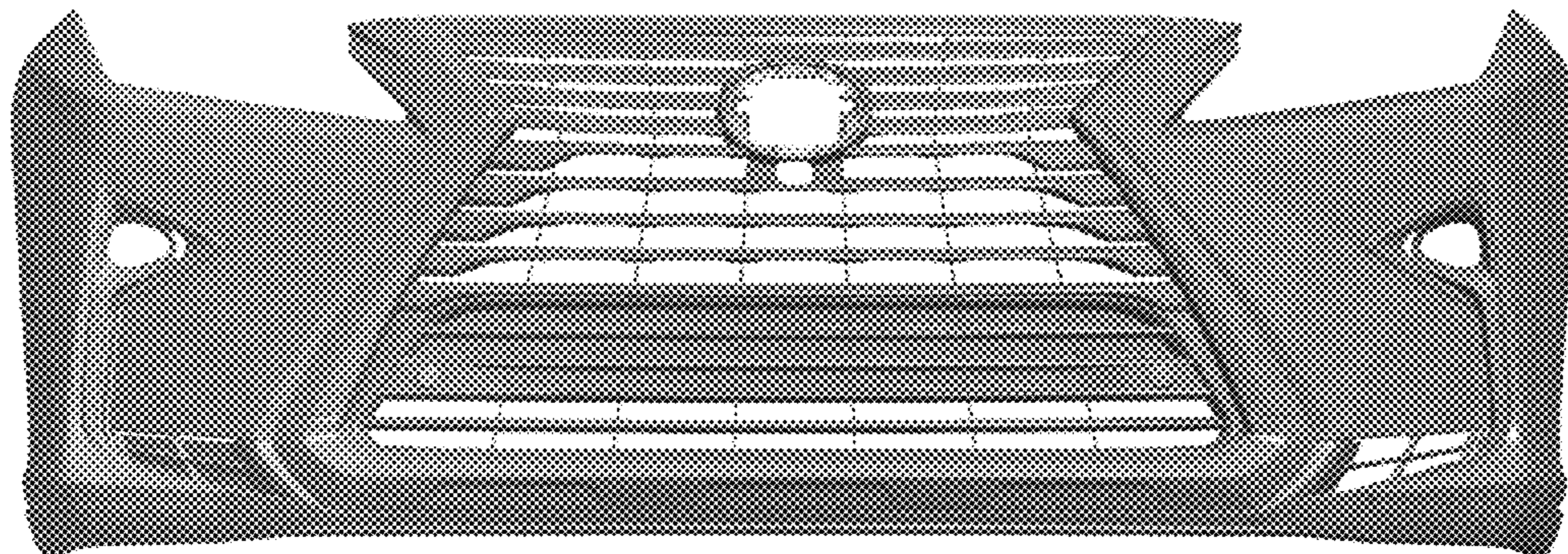
(57) **CLAIM**

The ornamental design for a front bumper for a motor vehicle, as shown and described.

DESCRIPTION

FIG. 1 is a front perspective view of a first embodiment of a front bumper for a motor vehicle showing our new design; FIG. 2 is a front view thereof; FIG. 3 is a rear view thereof; FIG. 4 is a right side view thereof; FIG. 5 is a left side view thereof; FIG. 6 is a top plan view thereof; and FIG. 7 is a bottom plan view thereof. FIG. 8 is a front perspective view of a second embodiment of a front bumper for a motor vehicle showing our new design; FIG. 9 is a front view thereof; FIG. 10 is a rear view thereof; FIG. 11 is a right side view thereof; FIG. 12 is a left side view thereof; FIG. 13 is a top plan view thereof; and, FIG. 14 is a bottom plan view thereof. The de-emphasized and half-tone portions shown in the photographs illustrate environmental structure for the rear portion of the front bumper for a motor vehicle that forms no part of the claimed design.

1 Claim, 14 Drawing Sheets



(56)

References Cited

U.S. PATENT DOCUMENTS

D671,458 S *	11/2012	Lee	D12/92
D672,695 S *	12/2012	Inatomi	D12/164
D679,635 S *	4/2013	Sugimoto	D12/164
D685,698 S *	7/2013	Takei	D12/164
D705,705 S *	5/2014	Matsumoto	D12/169
D706,180 S *	6/2014	Sakae	D12/164
D707,594 S *	6/2014	Matsumoto	D12/169
D715,195 S *	10/2014	Tomatsu	D12/92
D715,709 S *	10/2014	Matsumoto	D12/169
D716,699 S *	11/2014	Sakae	D12/92
D716,700 S *	11/2014	Matsumoto	D12/92
D721,992 S *	2/2015	Takei	D12/169
D723,427 S *	3/2015	Takei	D12/92
D725,000 S *	3/2015	Hirai	D12/92
D733,012 S *	6/2015	Kim	D12/164
D733,621 S *	7/2015	Ikuma	D12/169
D735,079 S *	7/2015	Sperling	D12/92
D737,737 S *	9/2015	Kim	D12/169
D743,845 S *	11/2015	Hirai	D12/92
D751,955 S *	3/2016	Takei	D12/169
D751,957 S *	3/2016	Tomatsu	D12/169
D751,958 S *	3/2016	Tomatsu	D12/169
D755,092 S *	5/2016	Isogai	D12/164

OTHER PUBLICATIONS

Mays, Kelsey. "2016 Lexus ES: First Look." cars.com. Apr. 20, 2015. Accessed Jul. 22, 2016. Available online at URL: <<https://www.cars.com/articles/2016-lexus-es-first-look-1420680345754/>>.*
 Netcarshow.com; URL: http://www.netcarshow.com/lexus/2013-lf-nx_concept/; Model: LF-NX (2013); Mfg.: Lexus, available on at least Apr. 6, 2014.
 Netcarshow.com; URL: http://www.netcarshow.com/lamborghini/2012-urus_concept/; Model: Urus Concept (2012); Mfg.: Lamborghini; available on at least Apr. 15, 2014.
 Netcarshow.com; URL: <http://www.netcarshow.com/audi/2013-q5/>; Model: Audi Q5 (2013); Mfg.: Audi; available on at least Apr. 15, 2014.
 Lexus International; URL: <http://www.lexus-int.com/models/NX/>; Model: Lexus NX; Mfg.: Lexus available on at least May 28, 2014.
 Boldride; URL: <http://www.boldride.com/ride/2014/mercedes-benz-e63-amg#gallery/11>; Model: Mercedes-Benz E63 AMG; Mfg.: Mercedes-Benz; available on at least May 28, 2014.
 Netcarshow.com; URL: http://www.netcarshow.com/honda/2014-civic_type_r_concept/; Model: Honda Civic Type R (2014); Mfg.: Honda; available on at least May 28, 2014.

* cited by examiner

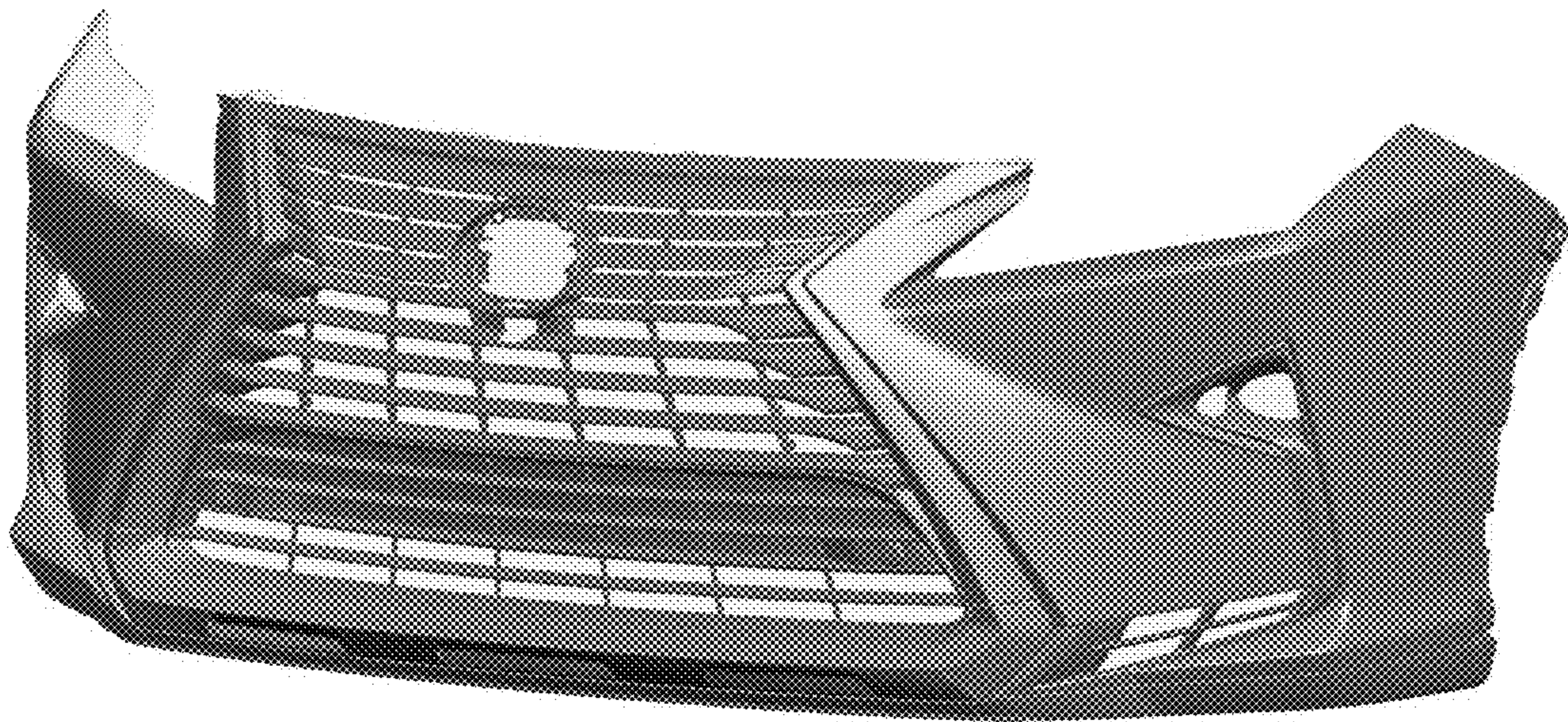


FIG. 1

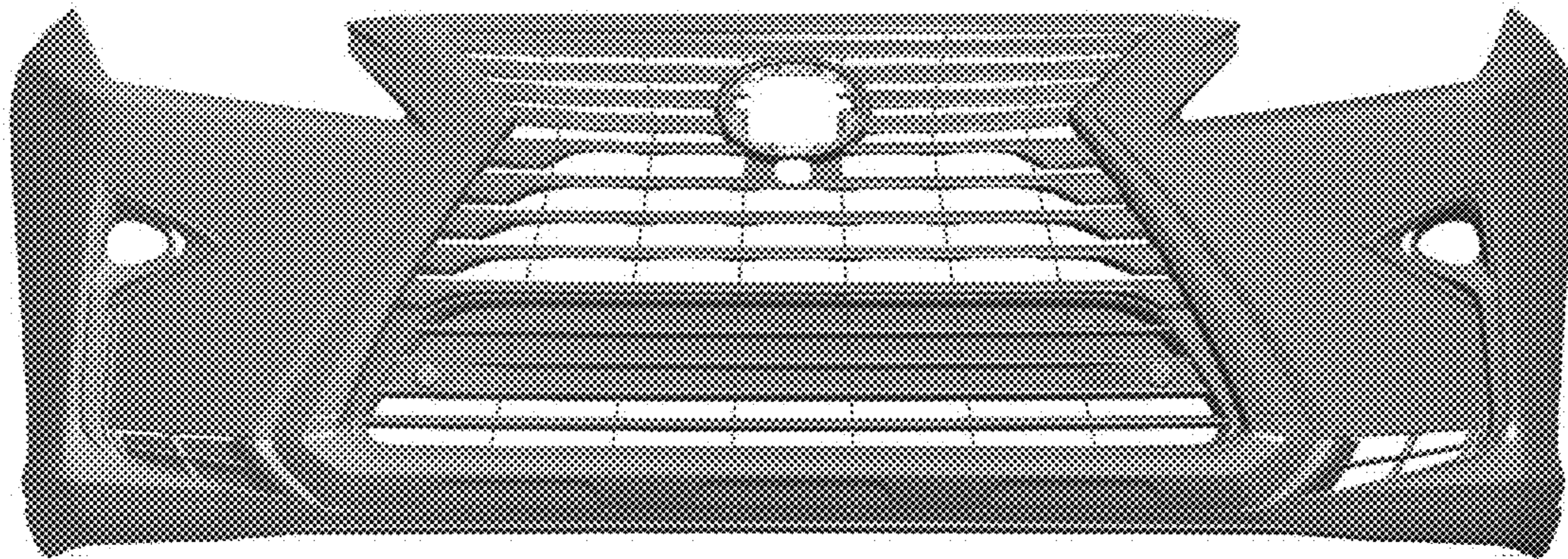


FIG. 2

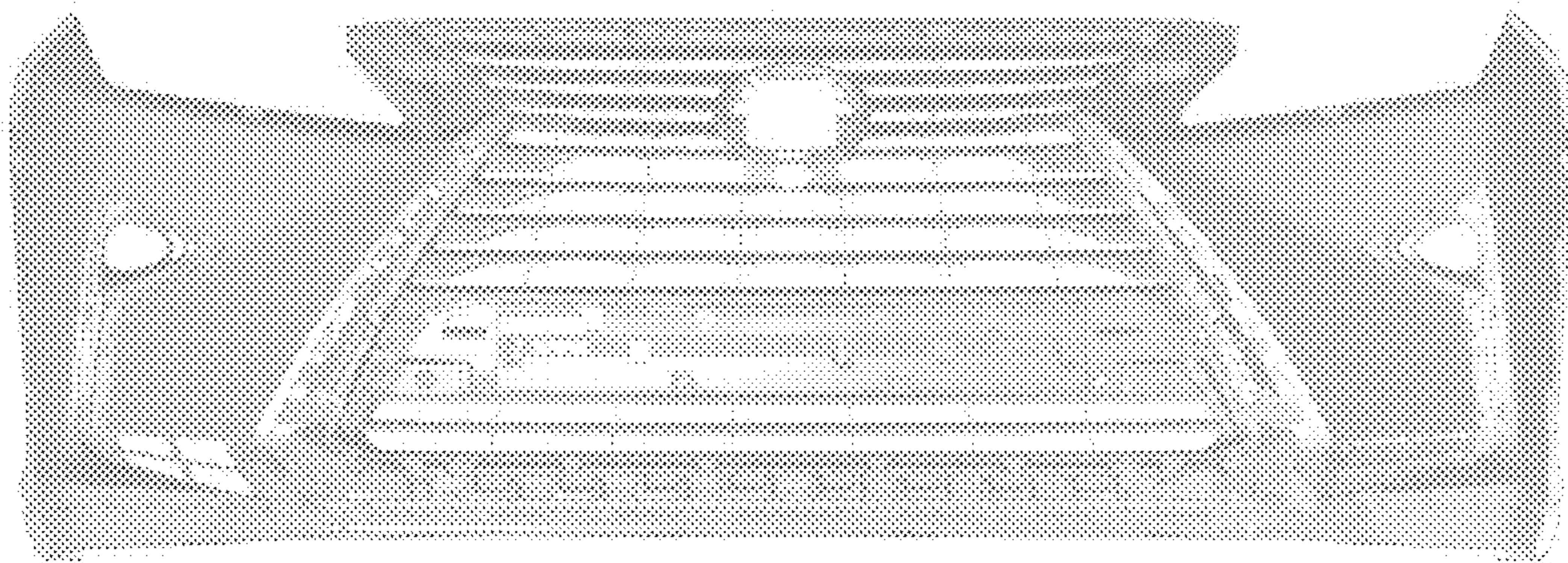


FIG. 3

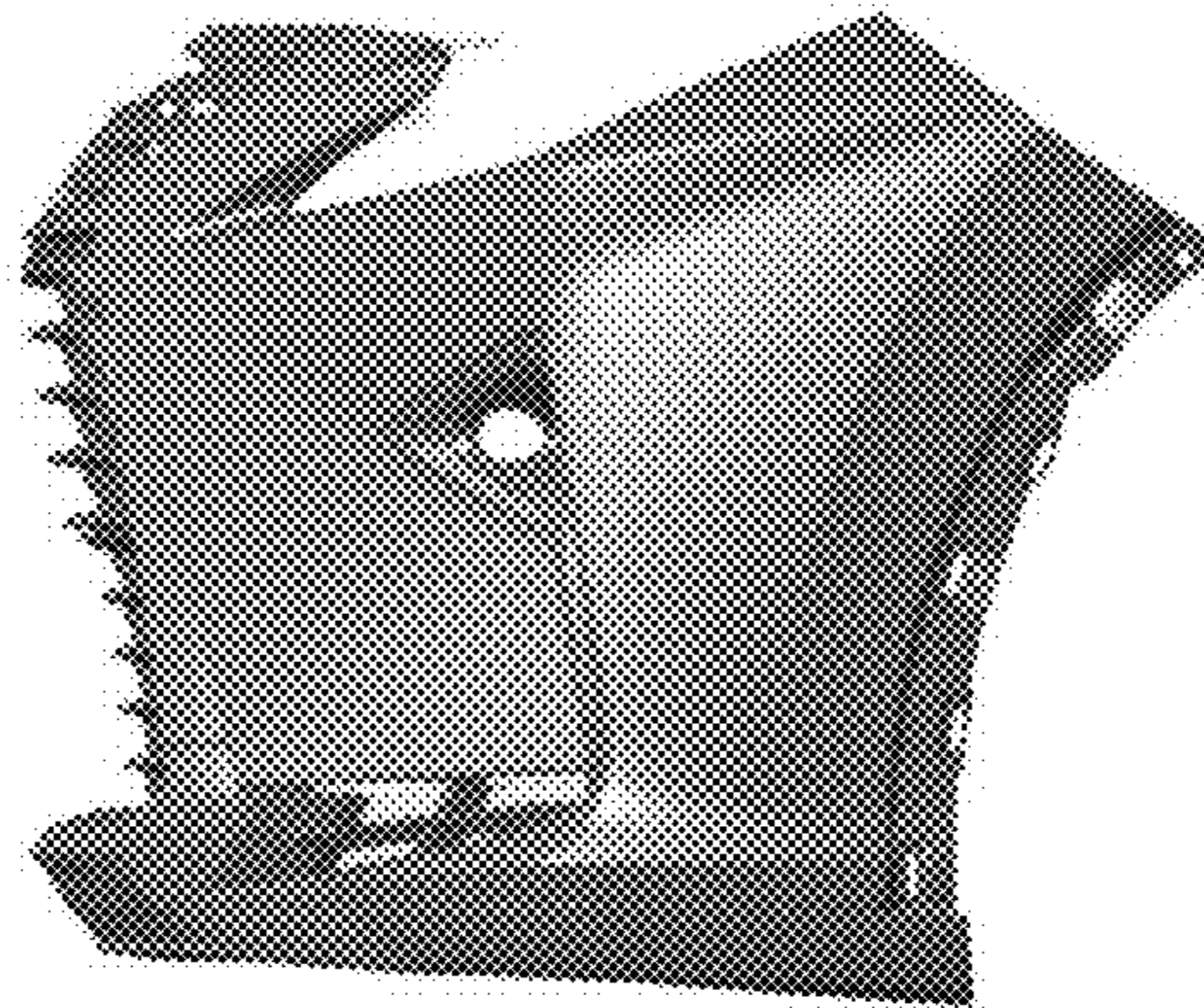


FIG. 4

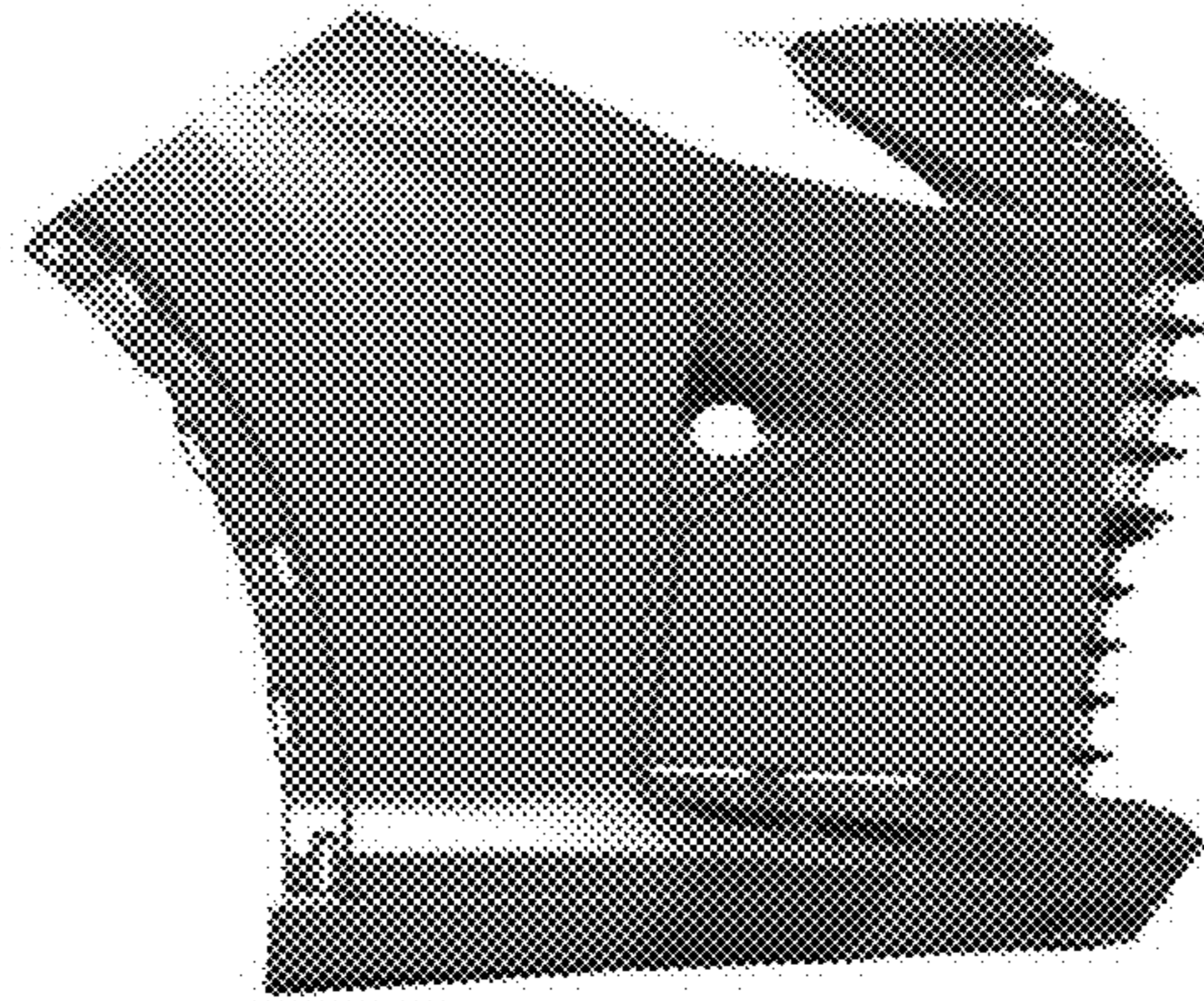


FIG. 5

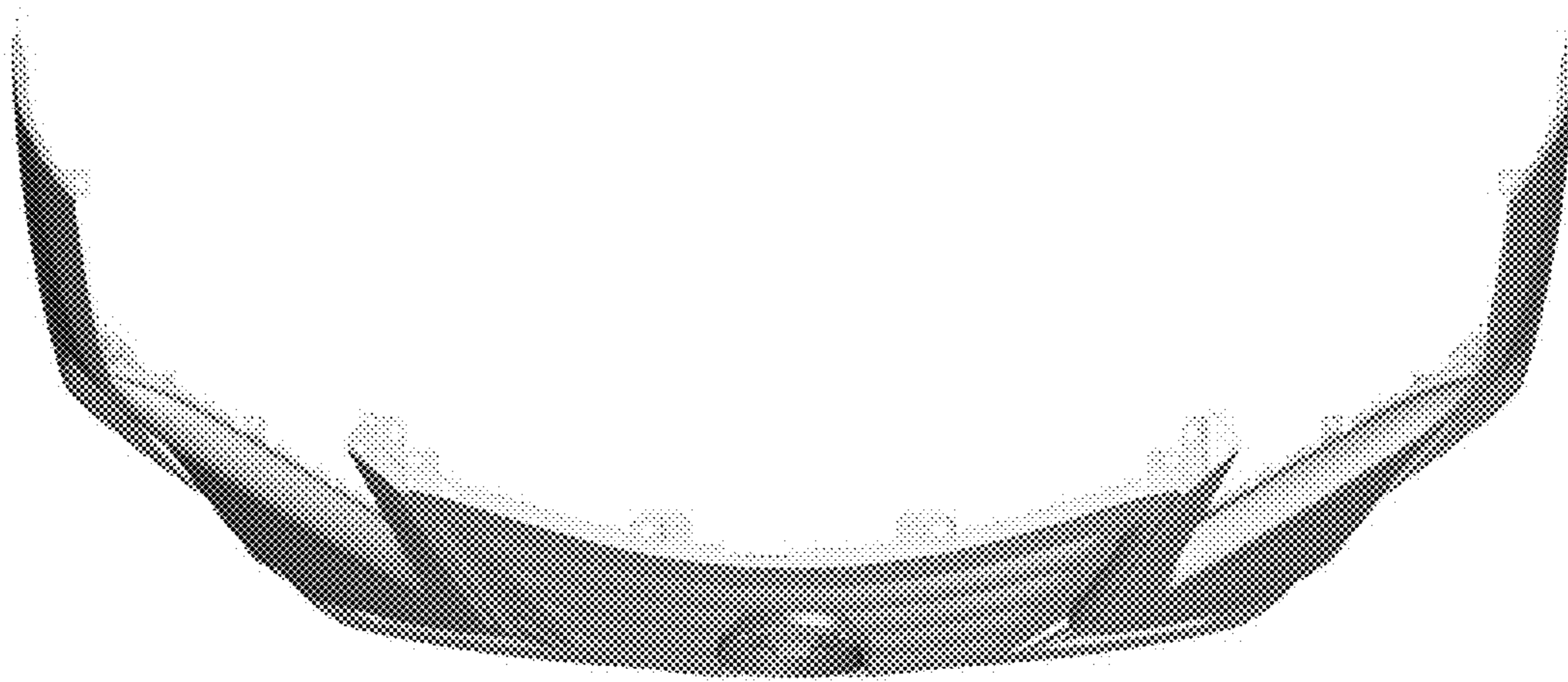


FIG. 6

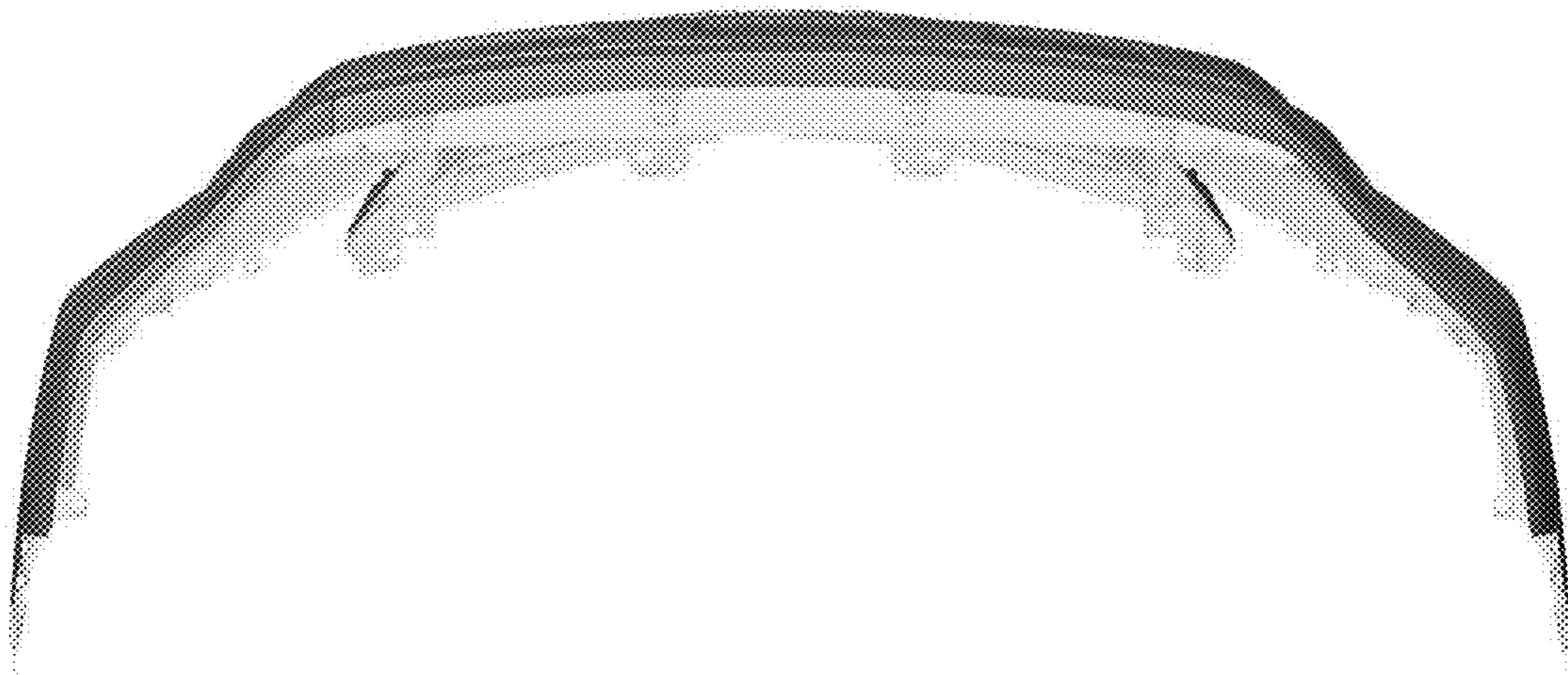


FIG. 7

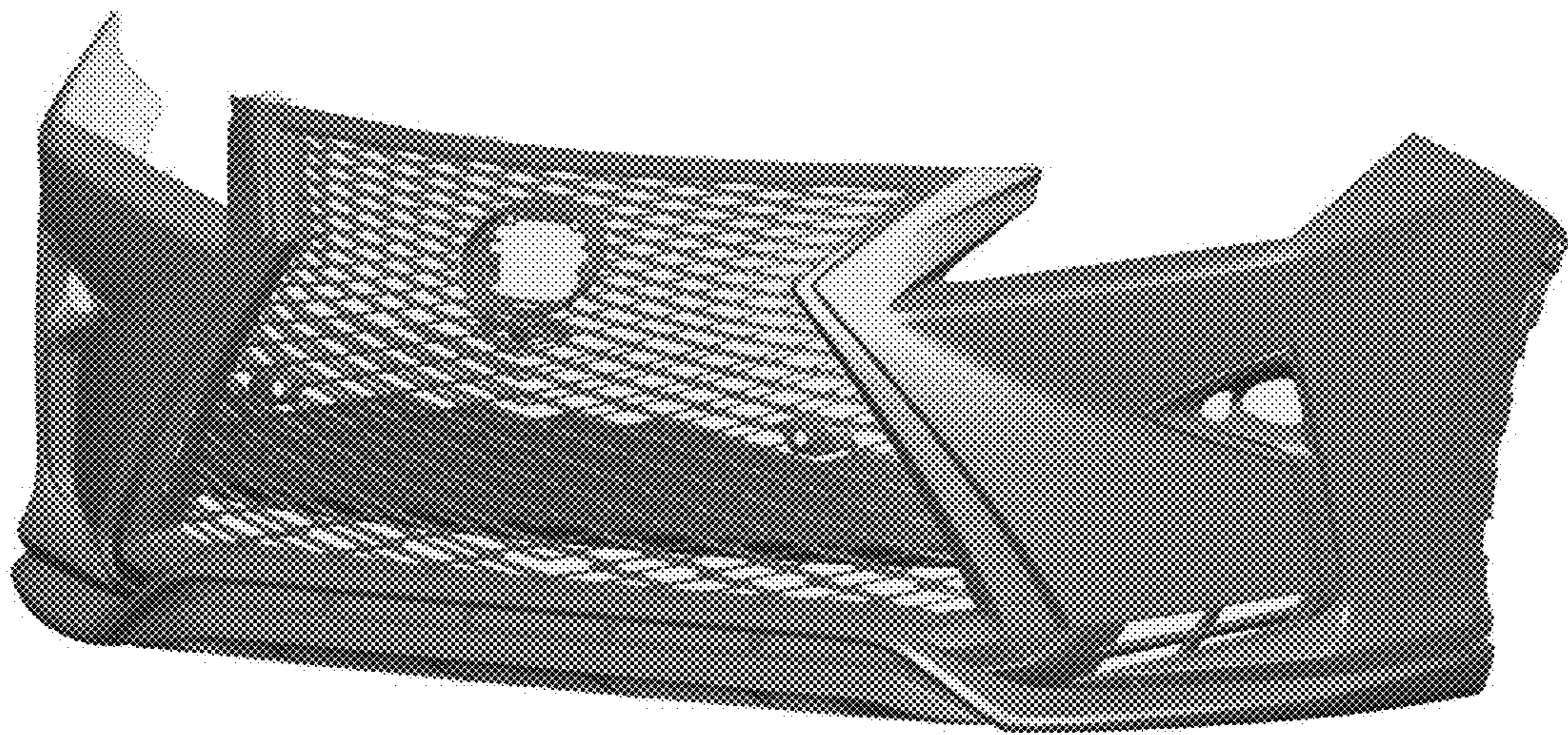


FIG. 8

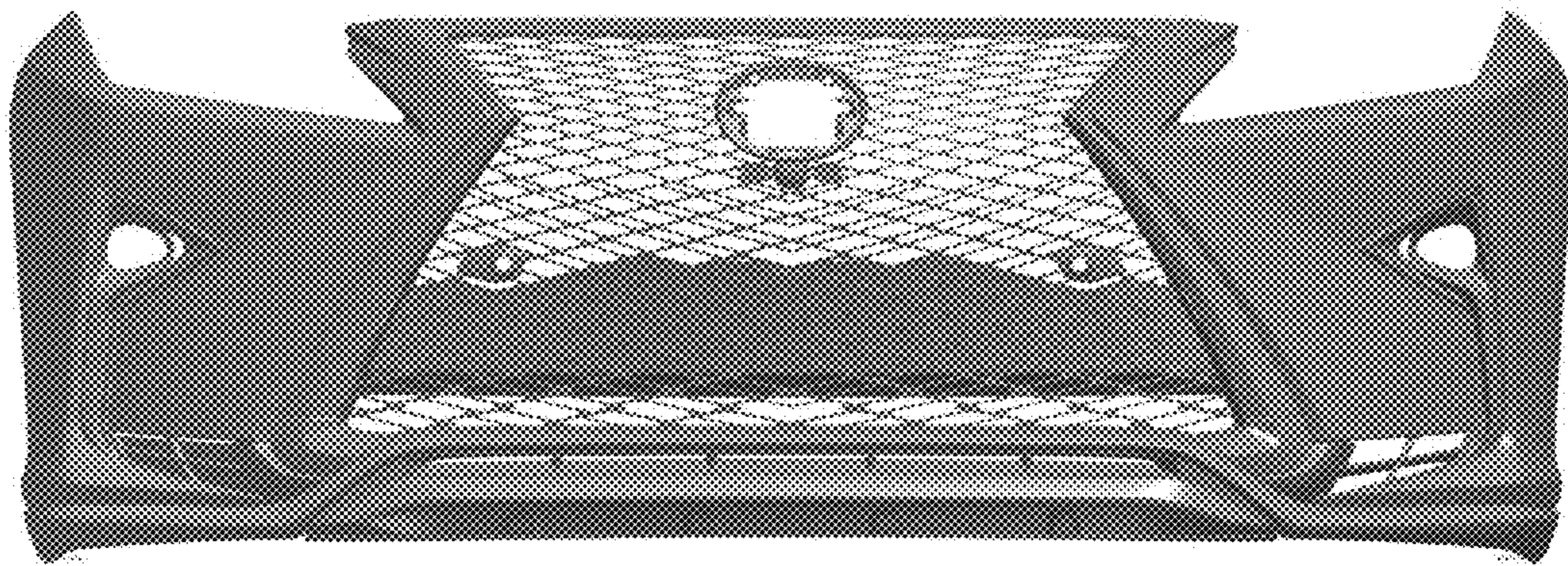


FIG. 9

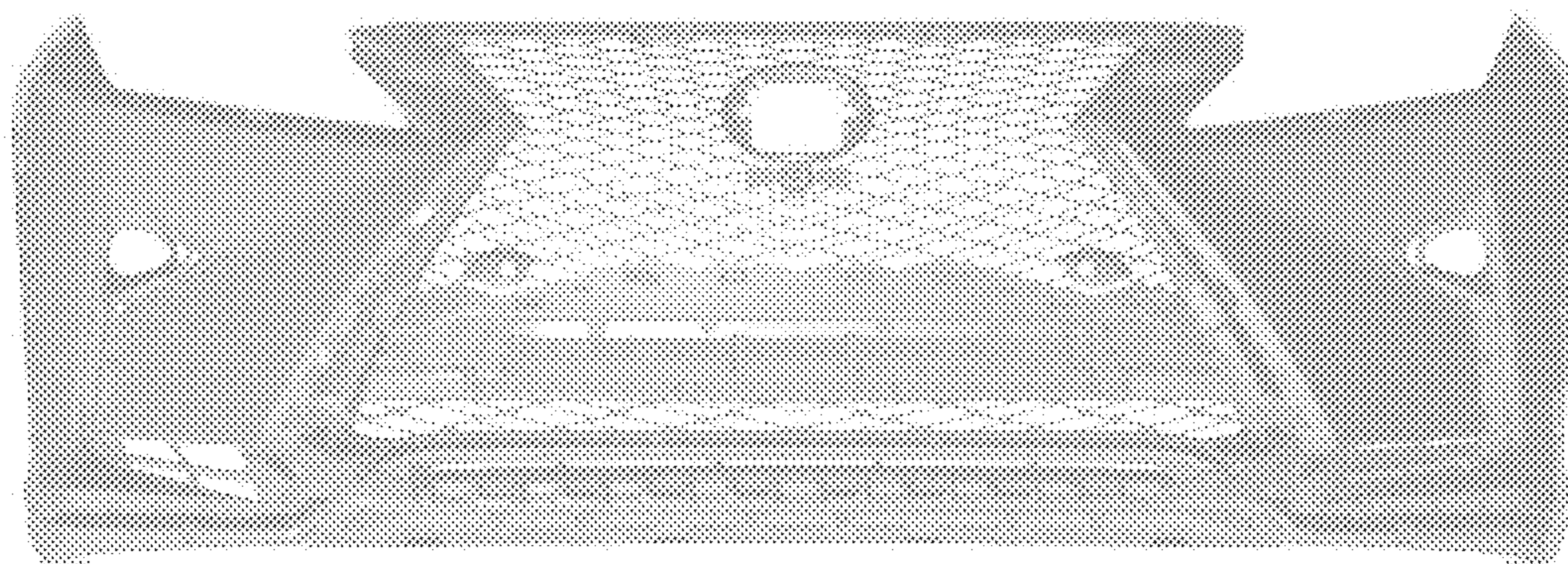


FIG. 10

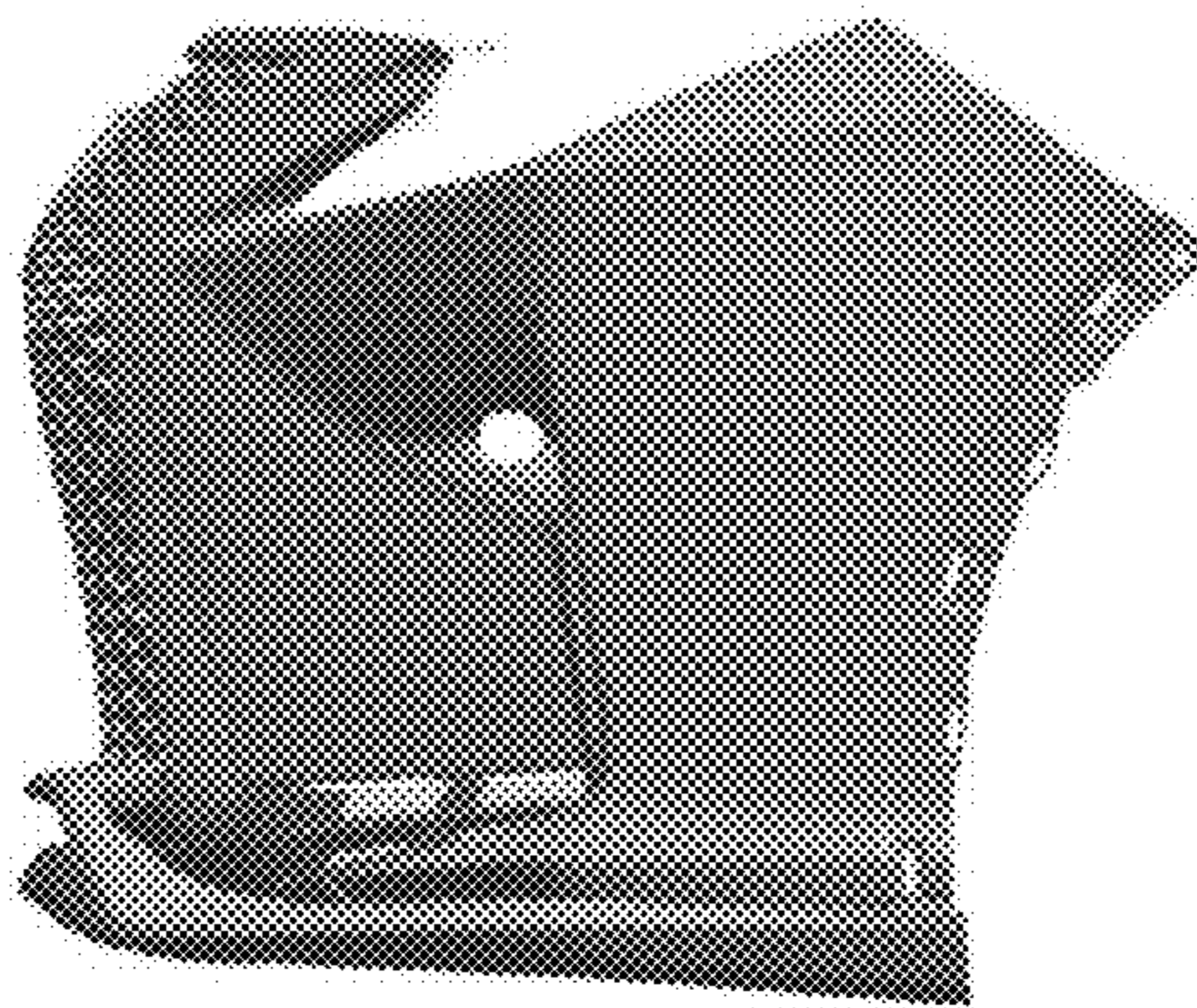


FIG. 11

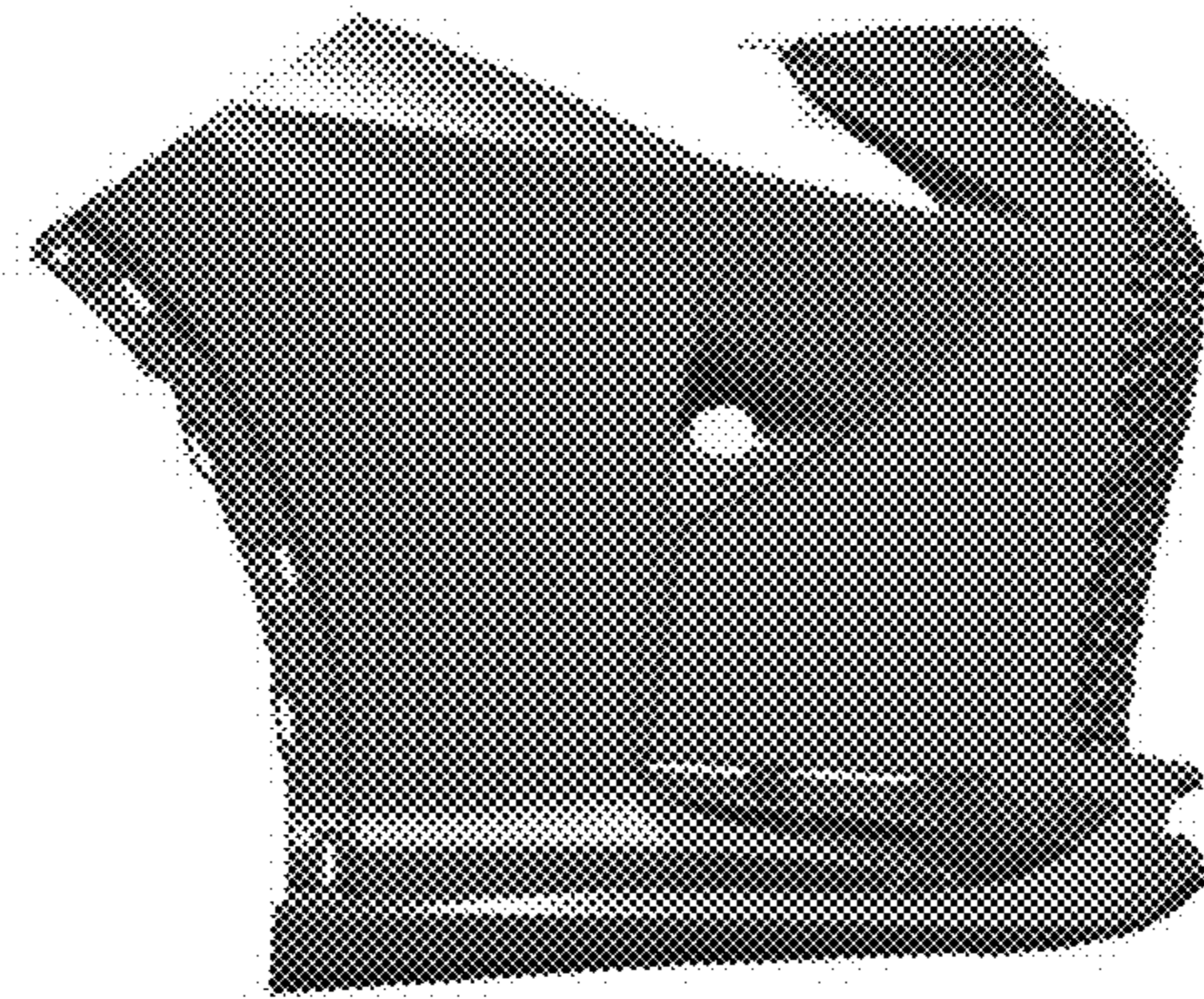


FIG. 12

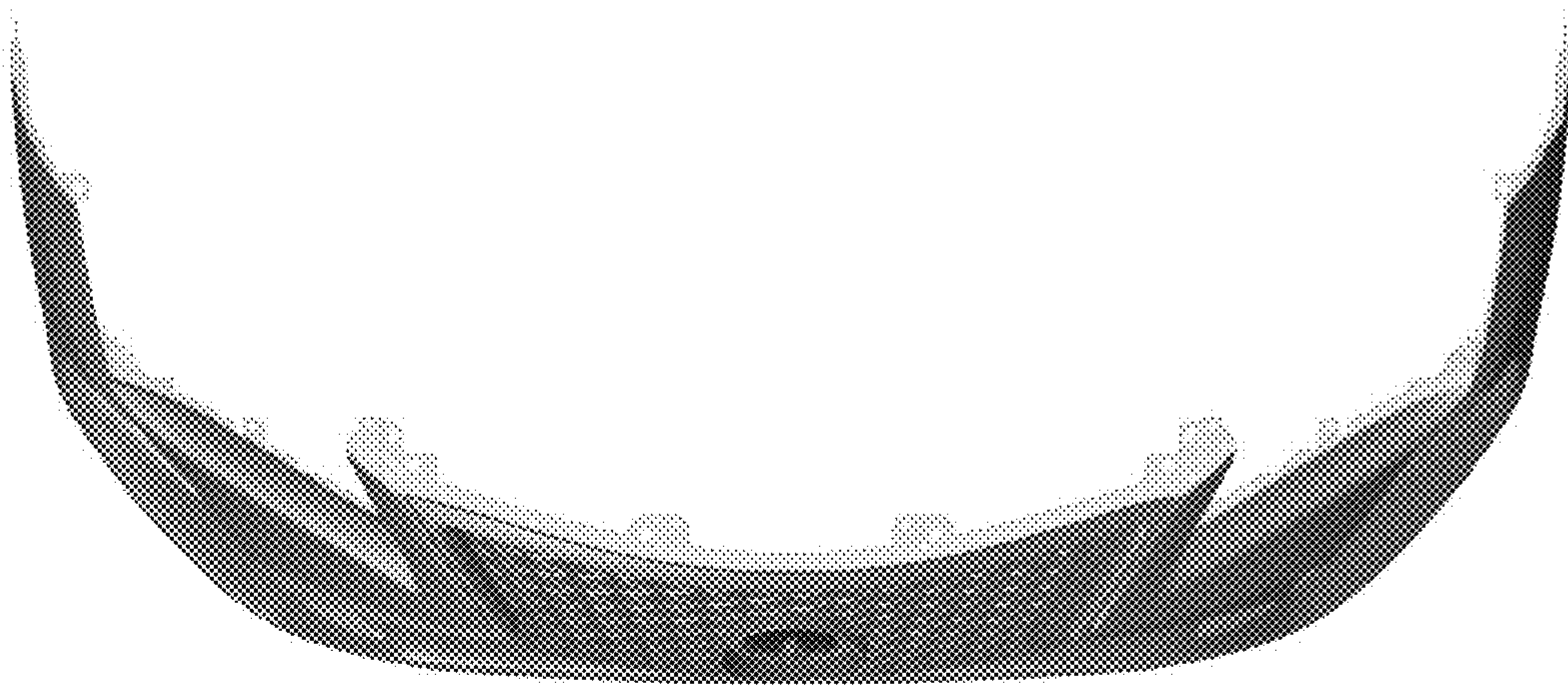


FIG. 13

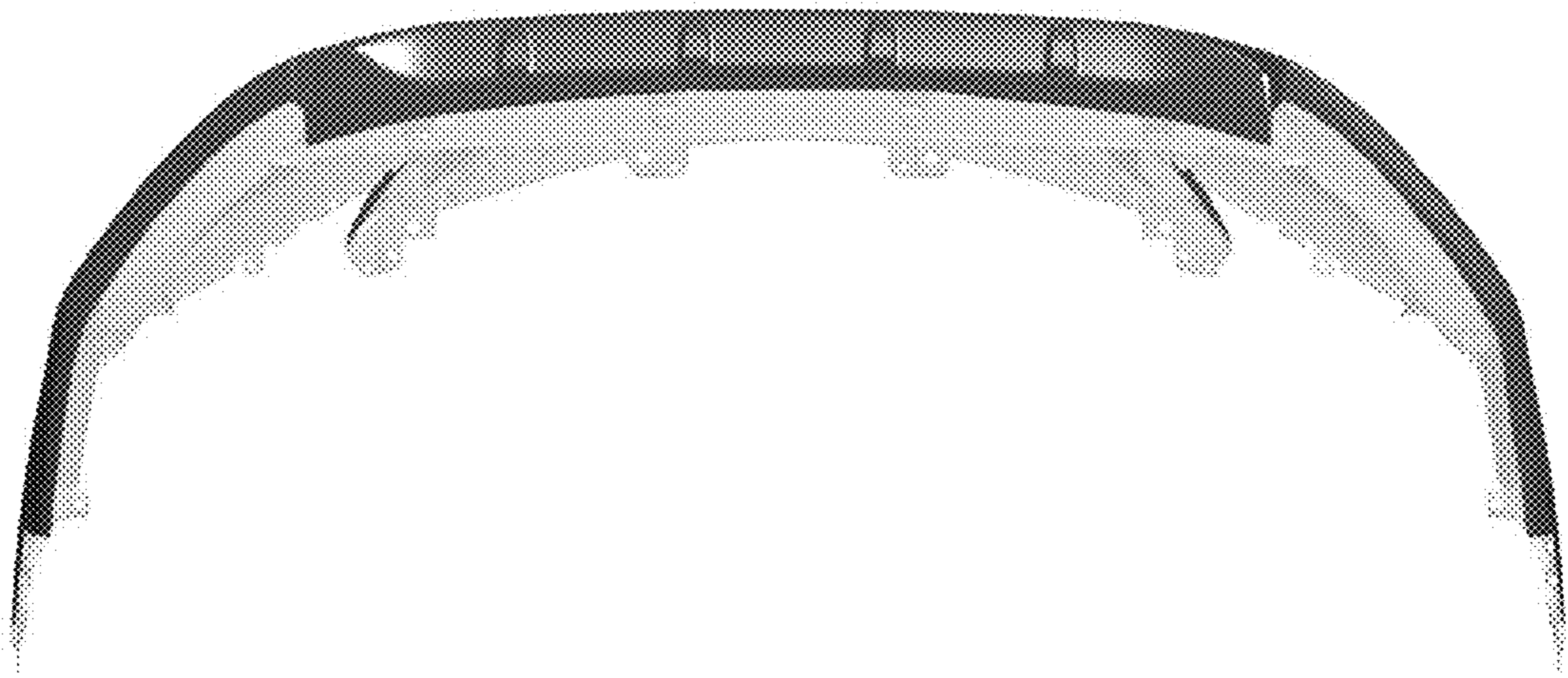


FIG. 14

UNITED STATES PATENT AND TRADEMARK OFFICE
CERTIFICATE OF CORRECTION

PATENT NO. : D784,214 S
APPLICATION NO. : 29/536832
DATED : April 18, 2017
INVENTOR(S) : Tsuneo Kanasugi et al.

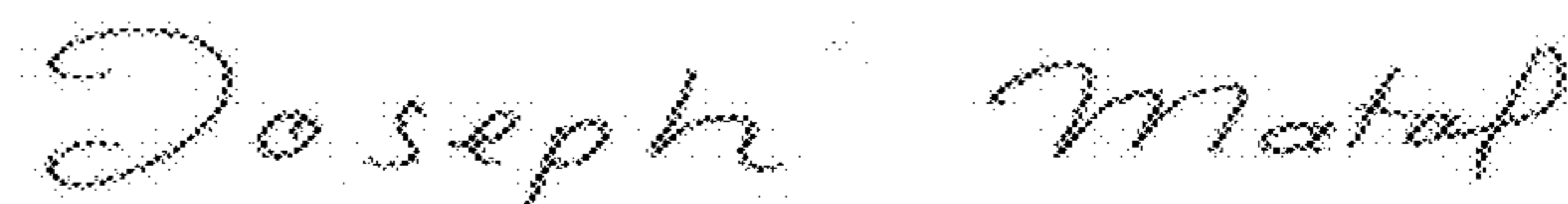
Page 1 of 1

It is certified that error appears in the above-identified patent and that said Letters Patent is hereby corrected as shown below:

Please correct item (56) under "OTHER PUBLICATIONS" as follows:

Netcarshow.com; URL: http://www.netcarshow.com/lexus/2013-lf-nx_concept/; Model: LF-NX
(2013); Mfg.: Lexus, available on at least Apr. 8, 2014.

Signed and Sealed this
Thirteenth Day of June, 2017



Joseph Matal
*Performing the Functions and Duties of the
Under Secretary of Commerce for Intellectual Property and
Director of the United States Patent and Trademark Office*