



US00D784213S

(12) **United States Design Patent**  
**Karras**

(10) **Patent No.:** **US D784,213 S**  
(45) **Date of Patent:** **\*\* Apr. 18, 2017**

- (54) **VEHICLE GRILLE**
- (71) Applicant: **GM Global Technology Operations LLC, Detroit, MI (US)**
- (72) Inventor: **Panayiotis J. Karras, Rochester, MI (US)**
- (73) Assignee: **GM Global Technology Operations LLC, Detroit, MI (US)**
- (\*\*) Term: **15 Years**
- (21) Appl. No.: **29/541,639**
- (22) Filed: **Oct. 6, 2015**
- (51) **LOC (10) Cl.** ..... **12-16**
- (52) **U.S. Cl.**  
USPC ..... **D12/163**
- (58) **Field of Classification Search**  
USPC ..... D12/86, 90, 91, 92, 163, 169, 196, 171,  
D12/216; D15/31; 180/68.1, 68.6;  
293/103, 115, 117, 120, 193.1, 193.11  
CPC . B60R 19/52; B60R 2019/525; B60K 11/085;  
B62D 25/084; H01Q 1/32  
See application file for complete search history.

- D600,595 S 9/2009 Nakamura et al.
- D601,925 S 10/2009 O'Donnell
- D603,755 S 11/2009 Peters
- D604,203 S 11/2009 O'Donnell
- D605,082 S 12/2009 Munson
- D605,083 S 12/2009 Manoogian, II et al.
- D605,977 S 12/2009 Zipfel et al.
- D605,978 S 12/2009 Wolff et al.
- D605,988 S \* 12/2009 Bennett ..... D12/163
- D608,249 S 1/2010 Peters
- D608,690 S 1/2010 Folden et al.
- D608,691 S 1/2010 Zak, Jr. et al.
- D609,608 S 2/2010 Boniface et al.
- D611,387 S 3/2010 Thompson et al.
- D611,879 S 3/2010 Kim et al.
- D612,297 S 3/2010 Peters et al.
- D613,645 S 4/2010 Song et al.
- D615,458 S 5/2010 Thompson et al.
- D618,595 S 6/2010 Ware et al.
- D623,090 S 9/2010 Cox et al.
- D627,262 S 11/2010 Ikeda et al.
- D635,488 S 4/2011 Phipps
- D644,147 S 8/2011 Suh et al.
- D644,567 S 9/2011 Kozub

(Continued)

*Primary Examiner* — Darlington Ly  
(74) *Attorney, Agent, or Firm* — Reising Ethington P.C.

(57) **CLAIM**

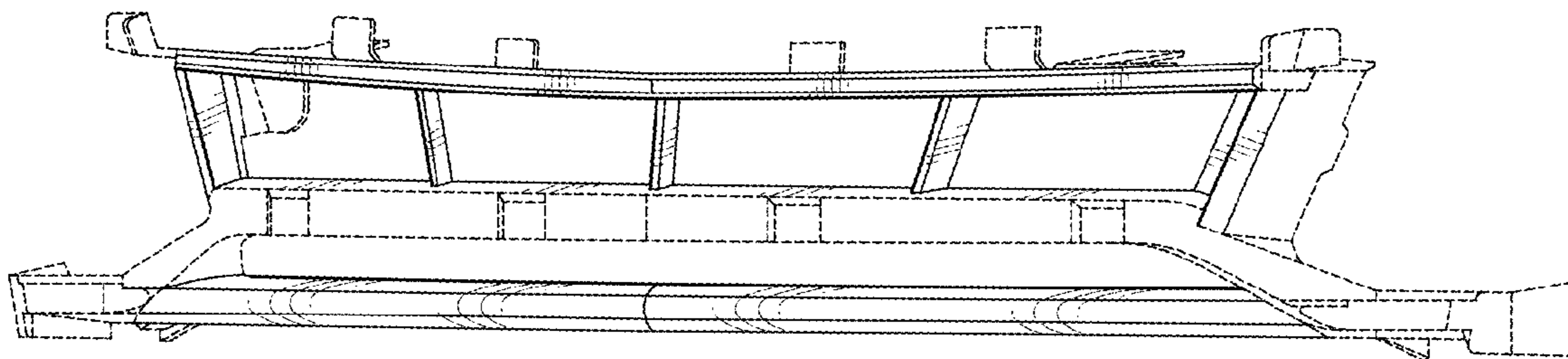
The ornamental design for a vehicle grille, as shown and described.

**DESCRIPTION**

FIG. 1 is a perspective view of the vehicle grille;  
FIG. 2 is a side elevation thereof;  
FIG. 3 is a top plan view thereof; and,  
FIG. 4 is a front view thereof.  
The broken lines in the drawings illustrate portions of the vehicle grille that forms no part of the claimed design.

**1 Claim, 1 Drawing Sheet**

- (56) **References Cited**  
U.S. PATENT DOCUMENTS
- D561,654 S \* 2/2008 Platto ..... D12/163
- D570,742 S 6/2008 Takagi et al.
- D578,443 S \* 10/2008 Schiavone ..... D12/163
- D584,197 S \* 1/2009 Song ..... D12/163
- D586,267 S \* 2/2009 Ebel ..... D12/163
- D592,105 S 5/2009 Dean et al.
- D593,460 S \* 6/2009 Schiavone ..... D12/163
- D597,447 S 8/2009 Folden
- D598,336 S \* 8/2009 George ..... D12/163



(56)

References Cited

U.S. PATENT DOCUMENTS

|            |           |                          |            |           |                       |
|------------|-----------|--------------------------|------------|-----------|-----------------------|
| D657,718 S | 4/2012    | Zipfel et al.            | D716,706 S | 11/2014   | Thole et al.          |
| D659,052 S | 5/2012    | Ware et al.              | D716,709 S | 11/2014   | Thole et al.          |
| D659,053 S | 5/2012    | Ware et al.              | D717,696 S | 11/2014   | Thole et al.          |
| D668,182 S | 10/2012   | Barba Franco             | D718,189 S | 11/2014   | Krieg et al.          |
| D668,183 S | 10/2012   | Smart                    | D718,683 S | 12/2014   | Thole et al.          |
| D678,820 S | 3/2013    | Son et al.               | D720,263 S | * 12/2014 | Pevovar ..... D12/163 |
| D678,821 S | 3/2013    | Ikeda et al.             | D722,282 S | 2/2015    | Loeb                  |
| D680,909 S | 4/2013    | Munson et al.            | D722,533 S | 2/2015    | Thole et al.          |
| D680,910 S | 4/2013    | David                    | D722,534 S | 2/2015    | Munson et al.         |
| D684,899 S | 6/2013    | Baker                    | D722,543 S | * 2/2015  | Kato ..... D12/163    |
| D686,536 S | 7/2013    | McCabe et al.            | D724,510 S | 3/2015    | McMahan et al.        |
| D688,987 S | * 9/2013  | Hildebrand ..... D12/163 | D725,001 S | 3/2015    | McMahan et al.        |
| D692,798 S | 11/2013   | Thurber                  | D726,591 S | 4/2015    | Jacob                 |
| D692,799 S | 11/2013   | Smith et al.             | D730,776 S | 6/2015    | Smart                 |
| D692,804 S | * 11/2013 | Song ..... D12/163       | D730,783 S | 6/2015    | Henriques et al.      |
| D696,157 S | 12/2013   | Loeb                     | D732,427 S | 6/2015    | Loeb                  |
| D698,704 S | * 2/2014  | Rupar ..... D12/163      | D732,429 S | 6/2015    | Loeb                  |
| D699,629 S | 2/2014    | Ikeda et al.             | D732,430 S | 6/2015    | Loeb                  |
| D700,871 S | 3/2014    | O'Donnell et al.         | D732,431 S | 6/2015    | Loeb                  |
| D703,103 S | 4/2014    | Lee                      | D732,432 S | 6/2015    | Aengenheyster         |
| D704,103 S | 5/2014    | Mack et al.              | D732,433 S | 6/2015    | Aengenheyster         |
| D705,132 S | 5/2014    | Ware et al.              | D732,435 S | 6/2015    | Mackay                |
| D705,699 S | 5/2014    | Ware et al.              | D733,002 S | 6/2015    | Loeb                  |
| D713,298 S | 9/2014    | Dyson                    | D735,611 S | 8/2015    | Aengenheyster         |
| D713,764 S | 9/2014    | Ferlazzo et al.          | D735,627 S | 8/2015    | Smith                 |
| D716,696 S | 11/2014   | Thole et al.             | D736,451 S | 8/2015    | Smith                 |
|            |           |                          | D739,306 S | 9/2015    | McMahan et al.        |
|            |           |                          | D739,317 S | 9/2015    | McMahan et al.        |
|            |           |                          | D758,927 S | * 6/2016  | Messale ..... D12/163 |

\* cited by examiner

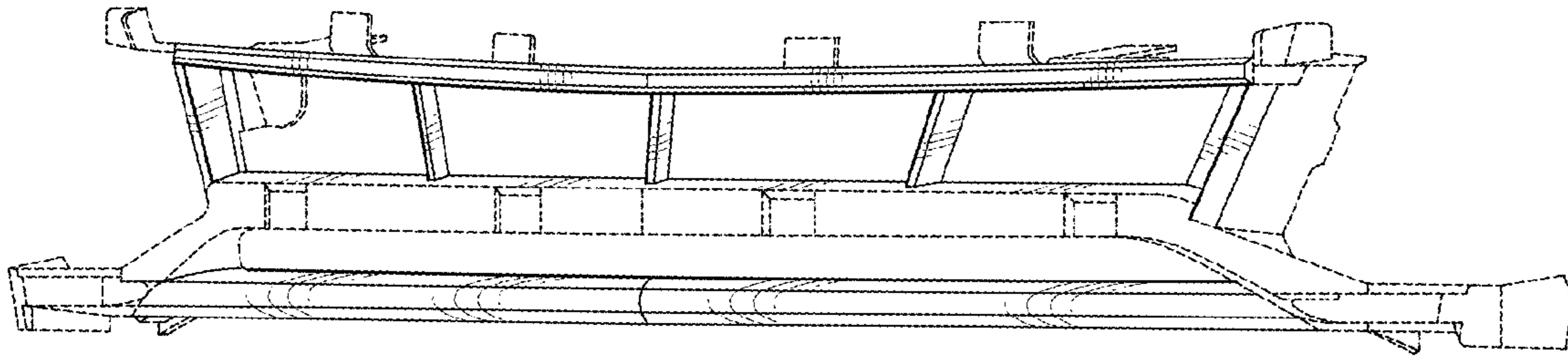


Fig. 1

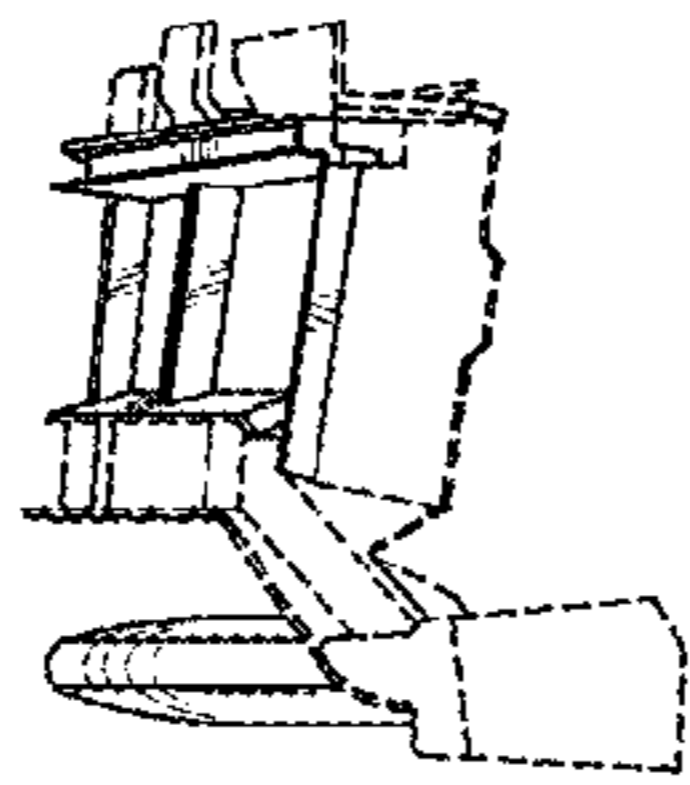


Fig. 2

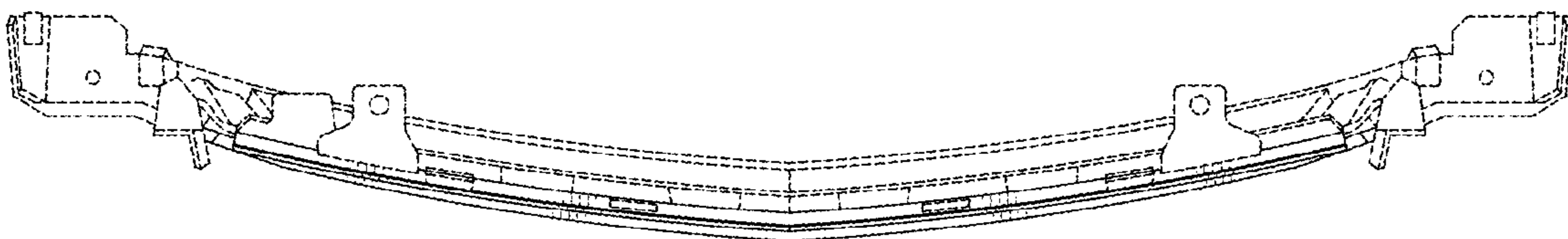


Fig. 3

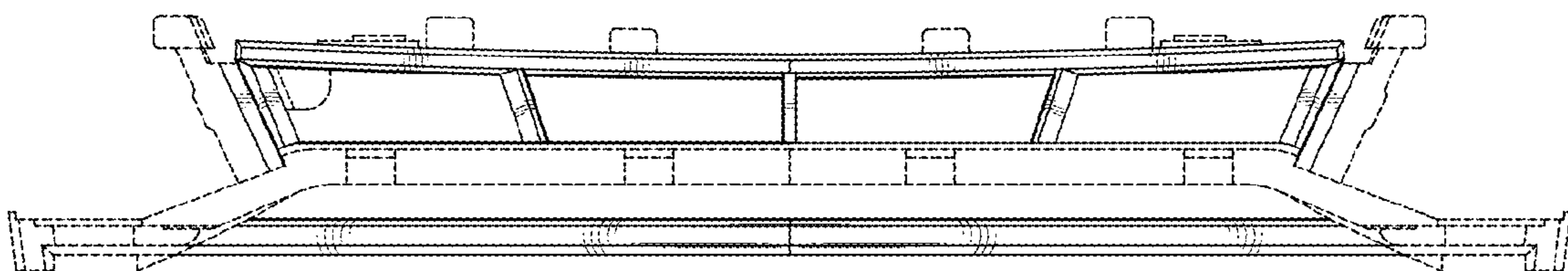


Fig. 4