



US00D784211S

(12) **United States Design Patent**
Orlando

(10) **Patent No.:** **US D784,211 S**
(45) **Date of Patent:** **** Apr. 18, 2017**

(54) **INDEPENDENT REAR SUSPENSION
SUB-FRAME SUPPORT BRACE**

(71) Applicant: **Steeda Autosports, Inc.**, Pompano
Beach, FL (US)

(72) Inventor: **Dario Orlando**, Pompano Beach, FL
(US)

(73) Assignee: **Steeda Autosports, Inc.**, Pompano
Beach, FL (US)

(**) Term: **15 Years**

(21) Appl. No.: **29/544,874**

(22) Filed: **Nov. 6, 2015**

(51) **LOC (10) Cl.** **12-16**

(52) **U.S. Cl.**
USPC **D12/159**

(58) **Field of Classification Search**
USPC D12/194, 175-175
CPC B62D 1/046; B62D 1/185; B62D 1/195;
B62D 1/187; B60W 10/20; B60W
2540/18; B60G 11/22; B60G 2204/125;
B60G 2202/143; B60G 2202/142; B60G
2204/41; B60G 2202/14; B60G 2206/73
See application file for complete search history.

(56) **References Cited**

U.S. PATENT DOCUMENTS

5,411,311 A * 5/1995 Shimmell B62D 25/082
280/798
6,244,607 B1 * 6/2001 Nishino B60G 3/06
280/124.107

6,357,769 B1 * 3/2002 Omundson B60G 3/24
180/312
7,165,777 B2 * 1/2007 Ziech B60G 9/00
280/124.11
7,513,515 B1 * 4/2009 Ortiz B62D 25/082
280/124.107
8,585,068 B2 * 11/2013 Schlangen B60G 3/20
180/357
8,708,403 B2 * 4/2014 Herntier B62D 25/08
280/781
D727,802 S * 4/2015 Sung D12/159
2005/0121875 A1 * 6/2005 Noble B60G 15/07
280/124.109
2006/0091636 A1 * 5/2006 Shelton B60G 11/04
280/124.107
2009/0173033 A1 * 7/2009 Baxter, Jr. A63J 1/00
52/646

* cited by examiner

Primary Examiner — Michael A Pratt

(74) *Attorney, Agent, or Firm* — McHale & Slavin, P.A.

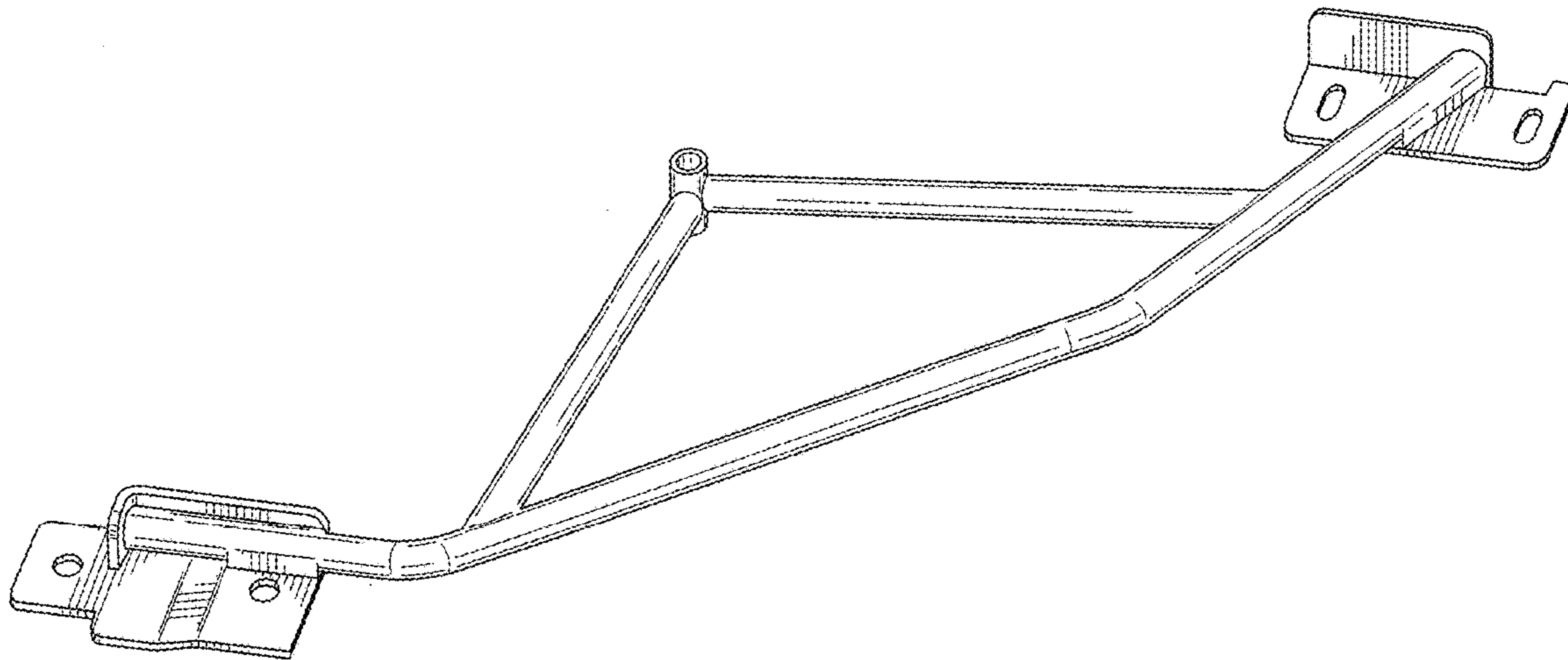
(57) **CLAIM**

The ornamental design for an independent rear suspension sub-frame support brace, as shown and described.

DESCRIPTION

FIG. 1 is a bottom right isometric view illustrating the independent rear suspension sub-frame support brace of the present invention;
FIG. 2 is a bottom view thereof;
FIG. 3 is a top view thereof;
FIG. 4 is a right side view thereof;
FIG. 5 is a left side view thereof;
FIG. 6 is a front view thereof; and,
FIG. 7 is a rear view thereof.

1 Claim, 5 Drawing Sheets



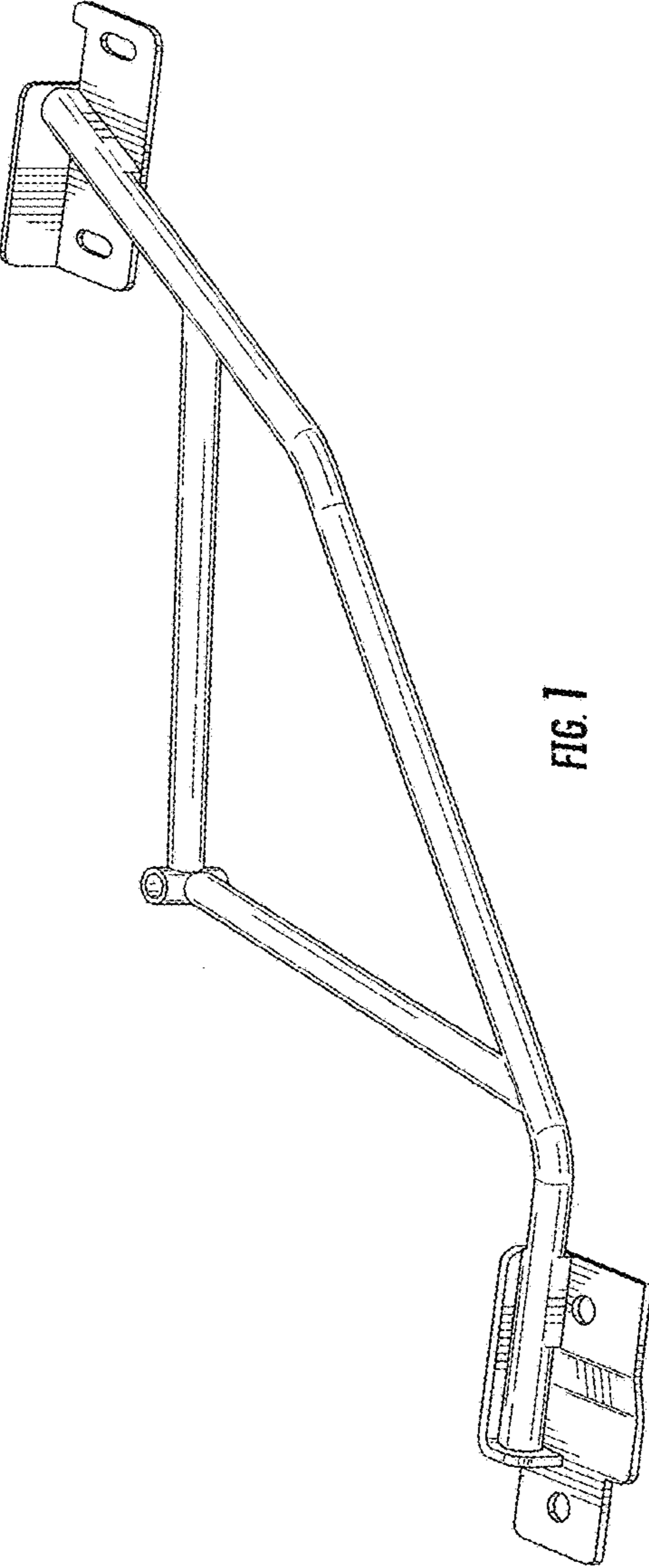
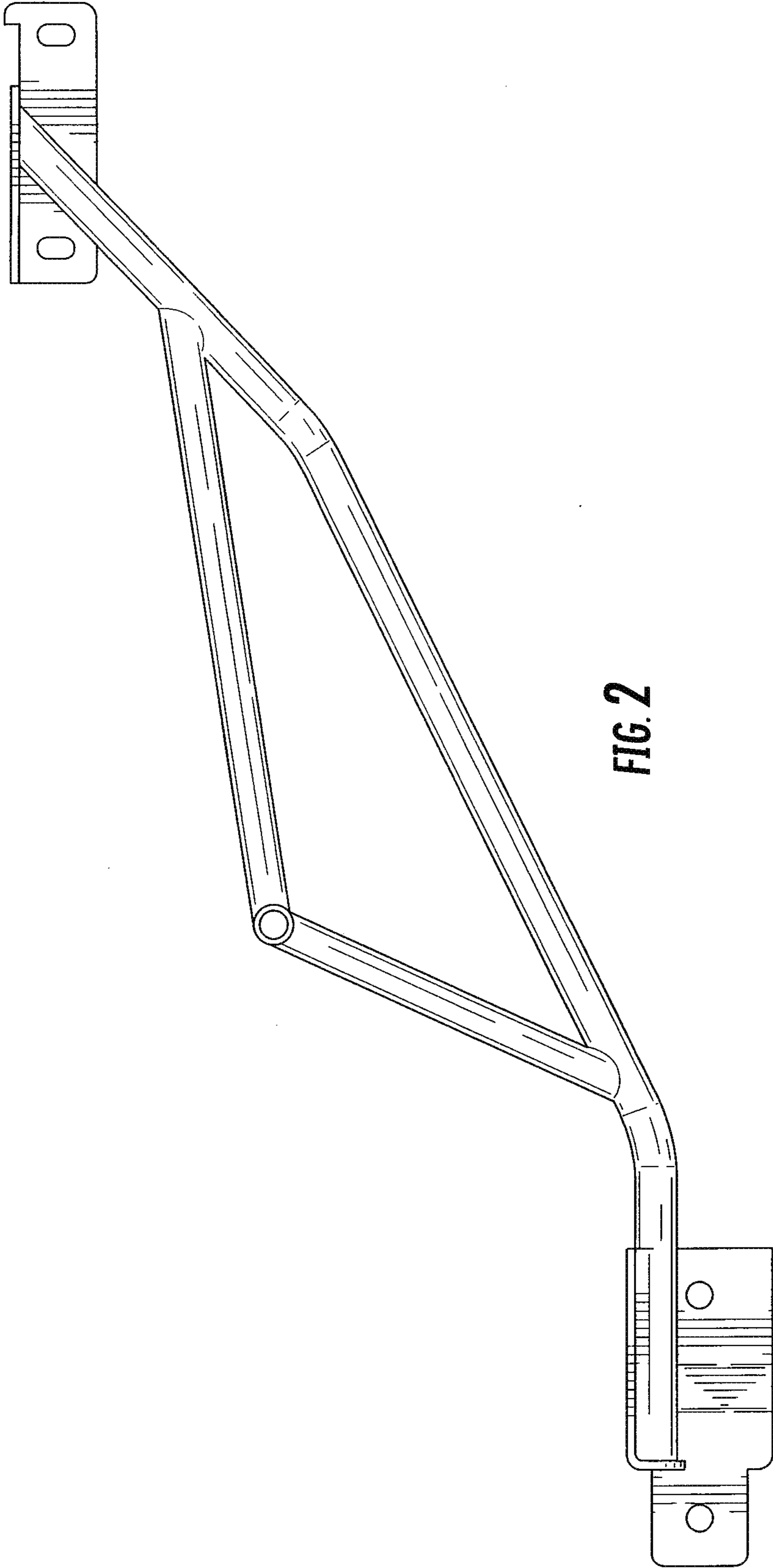
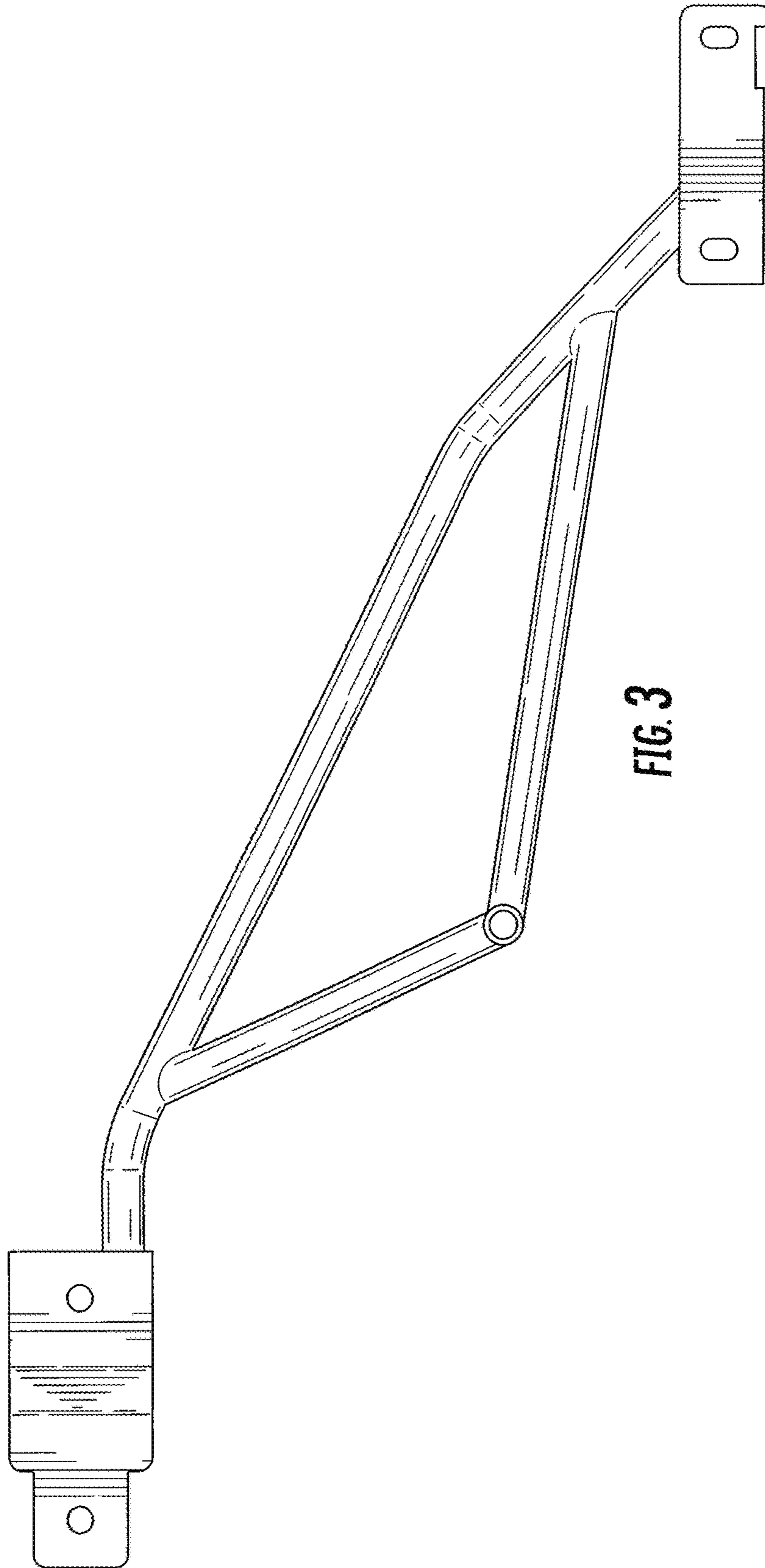


FIG. 1





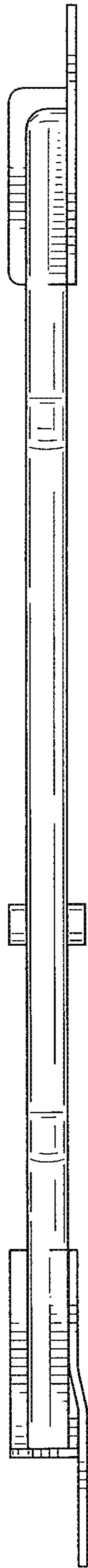


FIG. 4

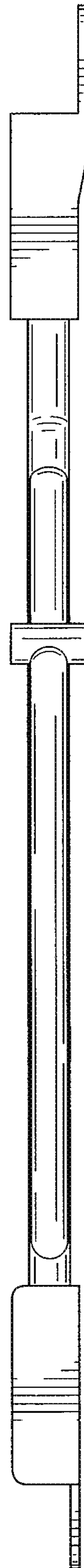


FIG. 5

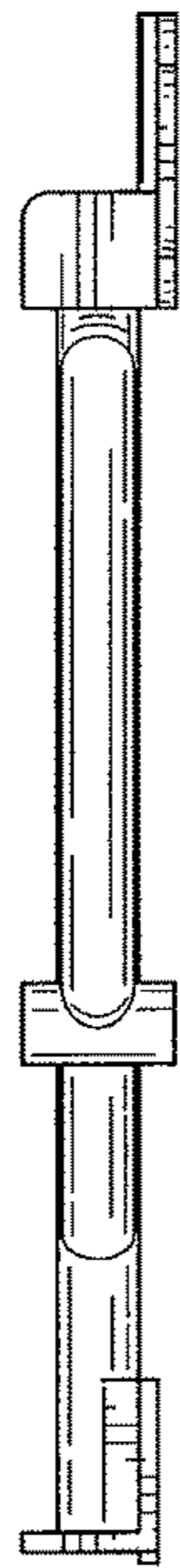


FIG. 6

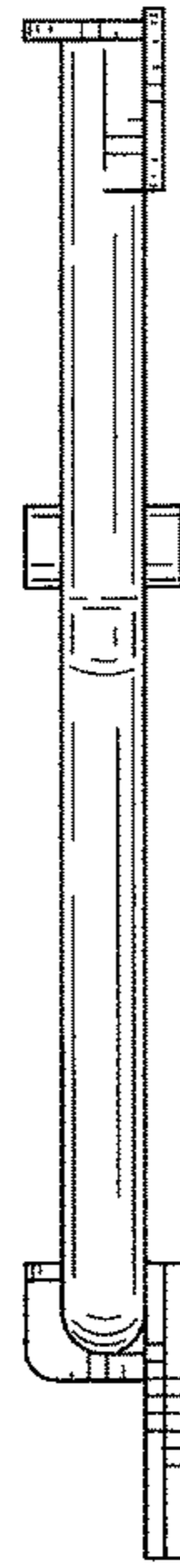


FIG. 7