



US00D784210S

(12) **United States Design Patent** (10) **Patent No.:** **US D784,210 S**  
**Marini et al.** (45) **Date of Patent:** **\*\* Apr. 18, 2017**

(54) **CHAIR BACK**  
(71) Applicant: **HNI Technologies Inc.**, Muscatine, IA (US)  
(72) Inventors: **Conrad M. Marini**, Woodbridge (CA); **Paul Mazzotta**, Etobicoke (CA)  
(73) Assignee: **HNI Technologies Inc.**, Muscatine, IA (US)

D590,304 S 4/2009 Kruse  
D611,718 S \* 3/2010 Tierney ..... D12/128  
7,740,575 B2 6/2010 Peters et al.  
7,866,613 B2 1/2011 Cramer  
D657,967 S 4/2012 Spoelhof et al.  
D681,353 S 5/2013 Lade  
(Continued)

(\*\*) Term: **14 Years**  
(21) Appl. No.: **29/515,992**  
(22) Filed: **Jan. 28, 2015**  
(51) **LOC (10) Cl.** ..... **12-12**  
(52) **U.S. Cl.**  
USPC ..... **D12/133**  
(58) **Field of Classification Search**  
USPC ..... D12/128-133  
CPC ..... A61G 5/00-5/14  
See application file for complete search history.

**FOREIGN PATENT DOCUMENTS**

CN ZL20153027700035 S 2/2016

**OTHER PUBLICATIONS**

BioSpace, 2014, worldwideweb at biospace.com/News/omni-bio-pharmaceutical-announces-encouraging/357849.

(Continued)

*Primary Examiner* — Charles Hanson  
(74) *Attorney, Agent, or Firm* — Faegre Baker Daniels LLP

(57) **CLAIM**

The ornamental design for a chair back, as shown and described.

(56) **References Cited**

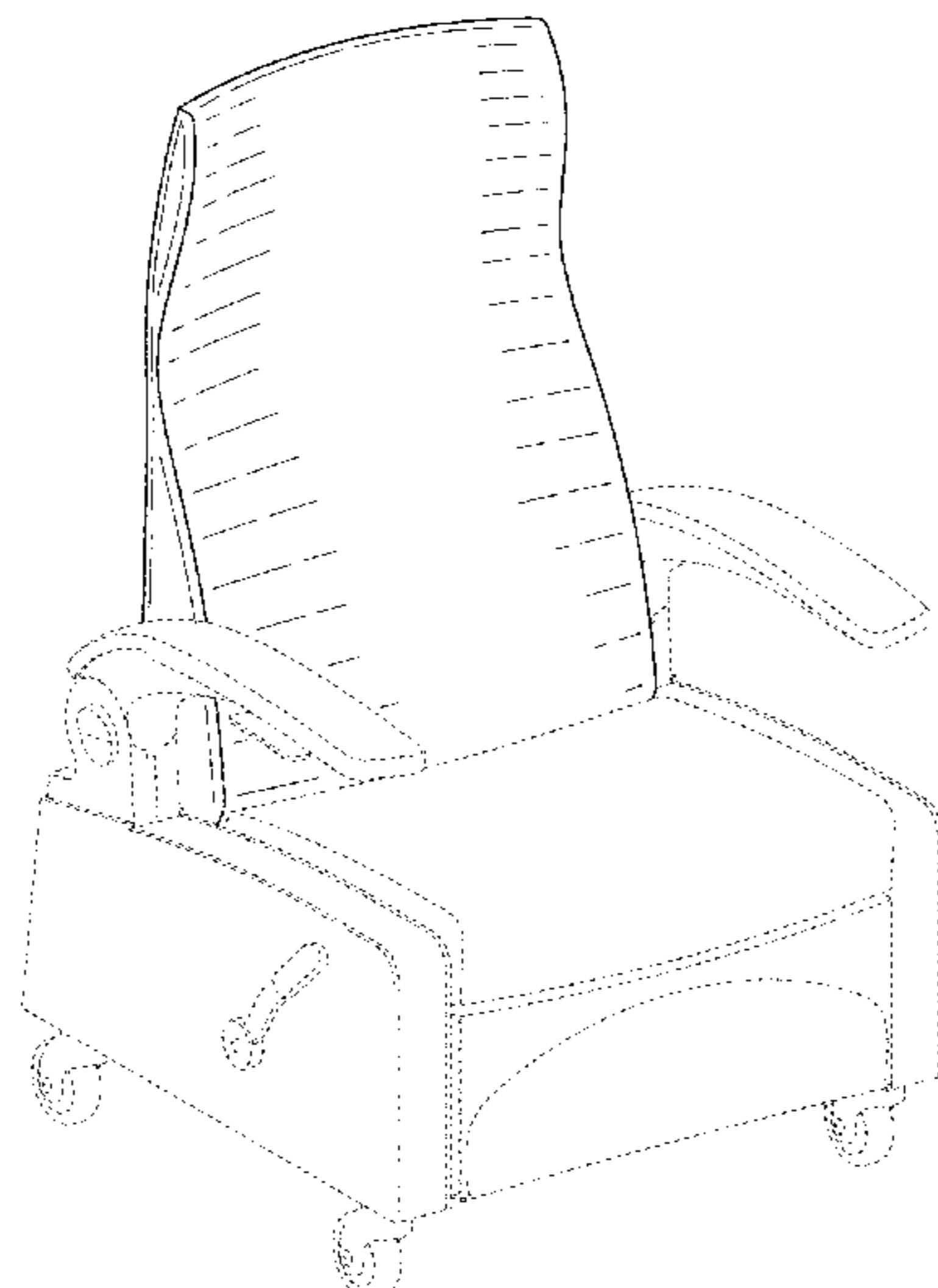
**U.S. PATENT DOCUMENTS**

D223,823 S \* 6/1972 Bowen ..... D12/131  
D250,977 S \* 2/1979 Powers ..... D12/128  
D315,123 S \* 3/1991 Spiegel ..... D12/131  
5,359,176 A 10/1994 Balliet et al.  
D359,856 S 7/1995 Hutton  
D364,971 S \* 12/1995 Sterlacci ..... D12/128  
D398,565 S \* 9/1998 Knabusch ..... D12/131  
D433,825 S 11/2000 Piretti  
D440,414 S 4/2001 Natuzzi et al.  
D451,849 S \* 12/2001 Noshi ..... D12/131  
D489,653 S 5/2004 Tsai  
D494,110 S 8/2004 Cheng  
D503,364 S \* 3/2005 Miura ..... D12/131  
D510,666 S 10/2005 Pimental et al.  
7,020,517 B2 3/2006 Weiner  
D539,044 S 3/2007 Solheim  
D569,769 S 5/2008 Chiu et al.  
D580,664 S 11/2008 Cramer et al.

**DESCRIPTION**

FIG. 1 is a perspective view of the chair back from a first point of view.  
FIG. 2 is a perspective view of the chair back from a second point of view.  
FIG. 3 is a front view of the chair back.  
FIG. 4 is a left side view of the chair back.  
FIG. 5 is a back view of the chair back.  
FIG. 6 is a right side view of the chair back.  
FIG. 7 is a top view of the chair back; and,  
FIG. 8 is a bottom view of the chair back.  
The broken line showing is included for the purpose of illustrating unclaimed subject matter and forms no part of the claimed design.

**1 Claim, 8 Drawing Sheets**



(56)

**References Cited**

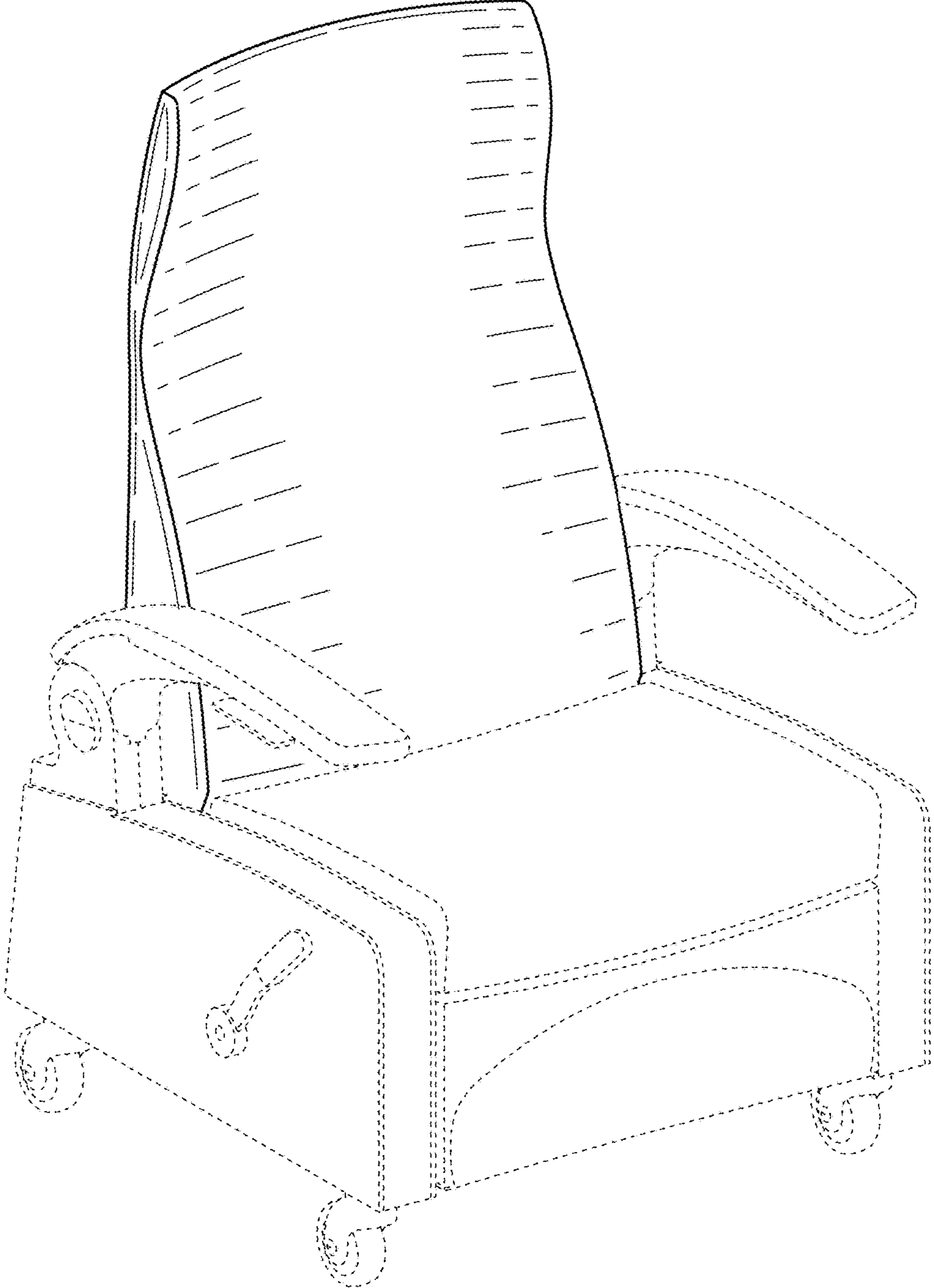
U.S. PATENT DOCUMENTS

D686,004 S 7/2013 Schweikarth et al.  
D703,960 S 5/2014 Doyle et al.  
8,727,048 B2 5/2014 Jurkiewicz et al.  
D717,553 S 11/2014 Baraldi et al.  
D735,622 S 8/2015 Spalding et al.  
D739,662 S 9/2015 Webb  
D742,285 S \* 11/2015 Cooper ..... D12/131  
D756,673 S 5/2016 Schweikarth

OTHER PUBLICATIONS

Kamada (2016, [kamada.com/news\\_item.php?ID=217](http://kamada.com/news_item.php?ID=217)).  
Marcondes et al (2014, 56th ASH Annual Meeting and Exposition, San Francisco, CA, poster presentation).  
Marcondes et al. (2014, 56th Annual Meeting and Exposition, San Francisco, CA, oral and poster abstracts, abstract 3927).  
OmniBio (2014, Interim Phase 1/2 Data presented at the American Society of Hematology).

\* cited by examiner



**FIG. 1**

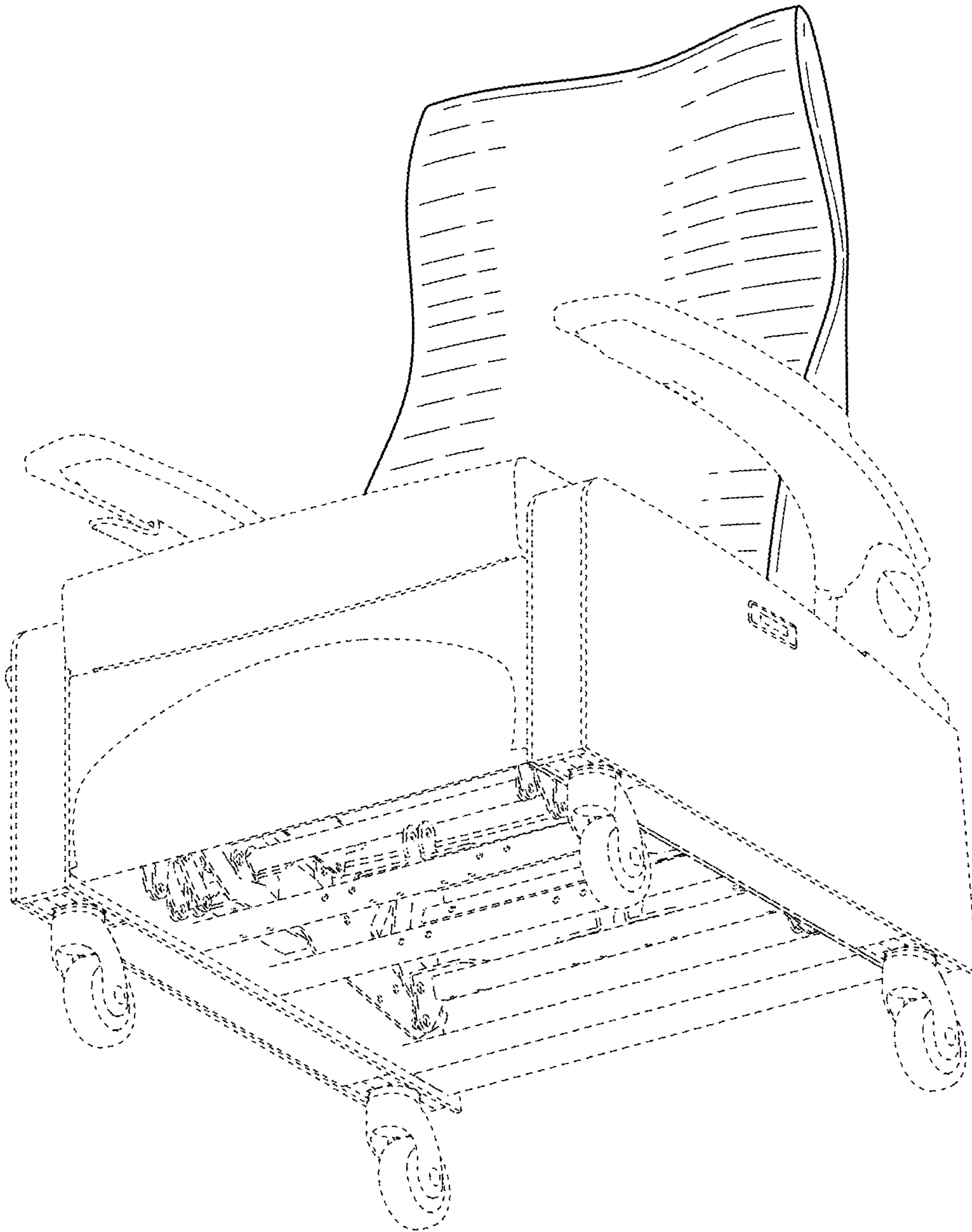


FIG. 2

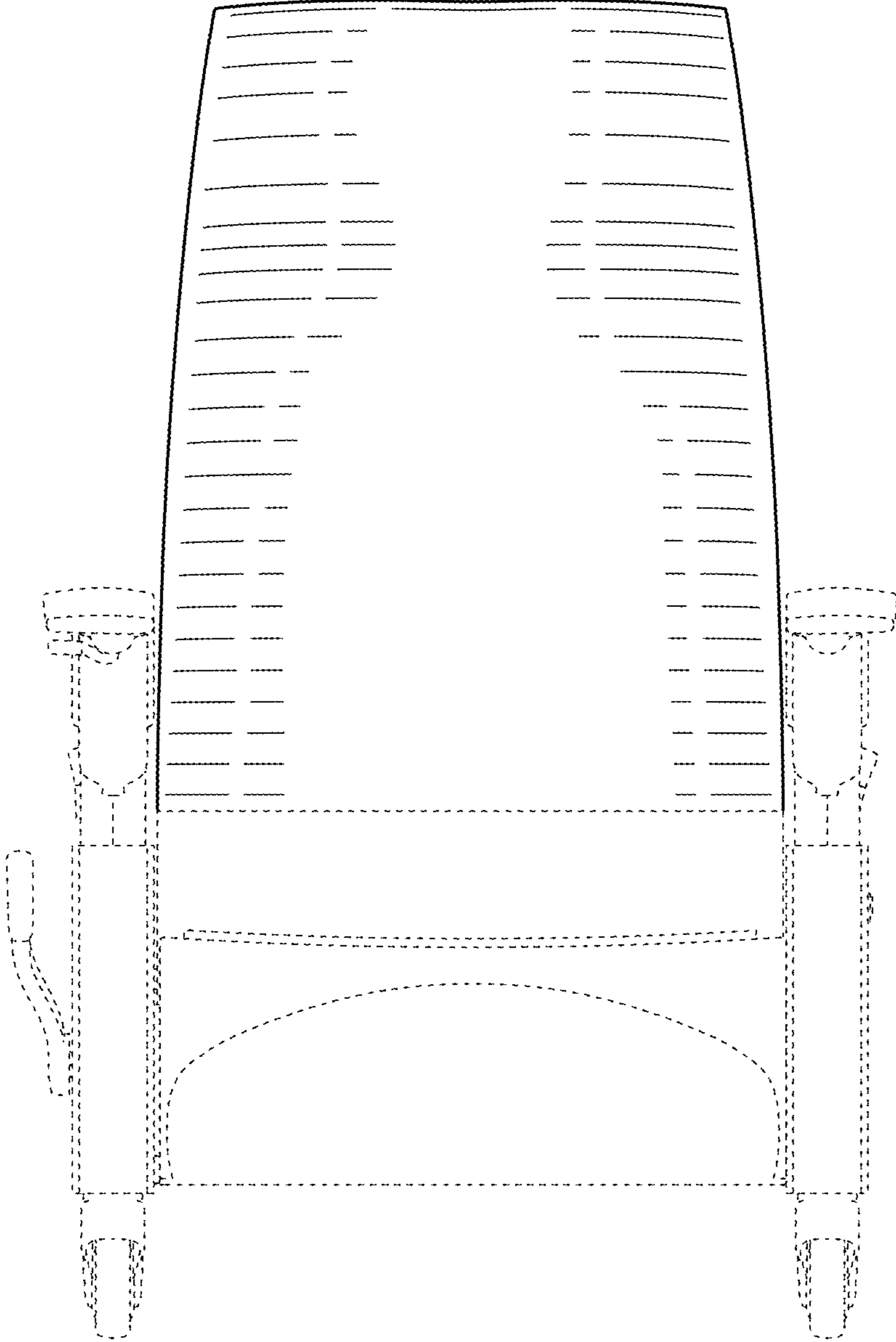


FIG. 3

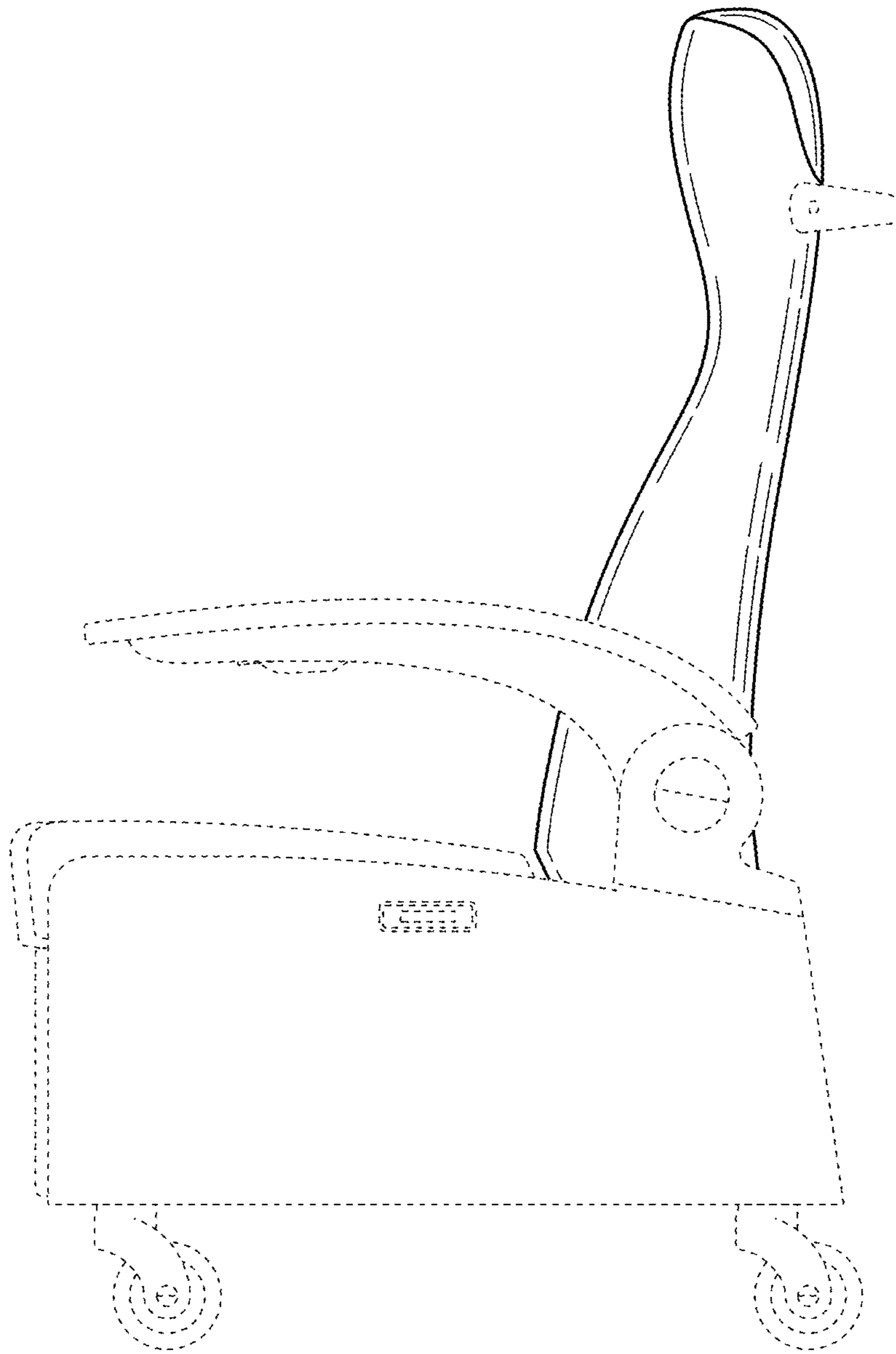


FIG. 4



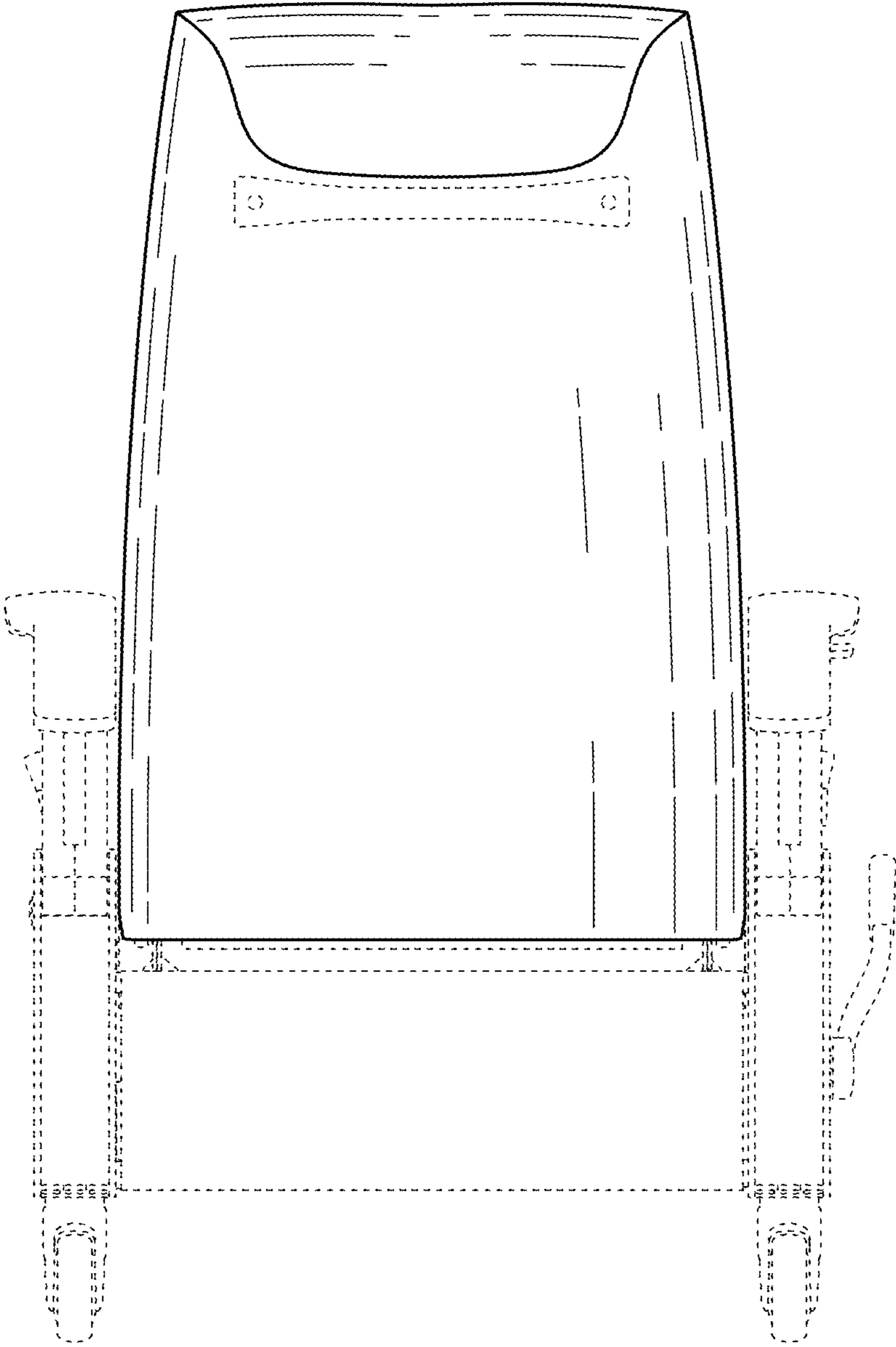


FIG. 5

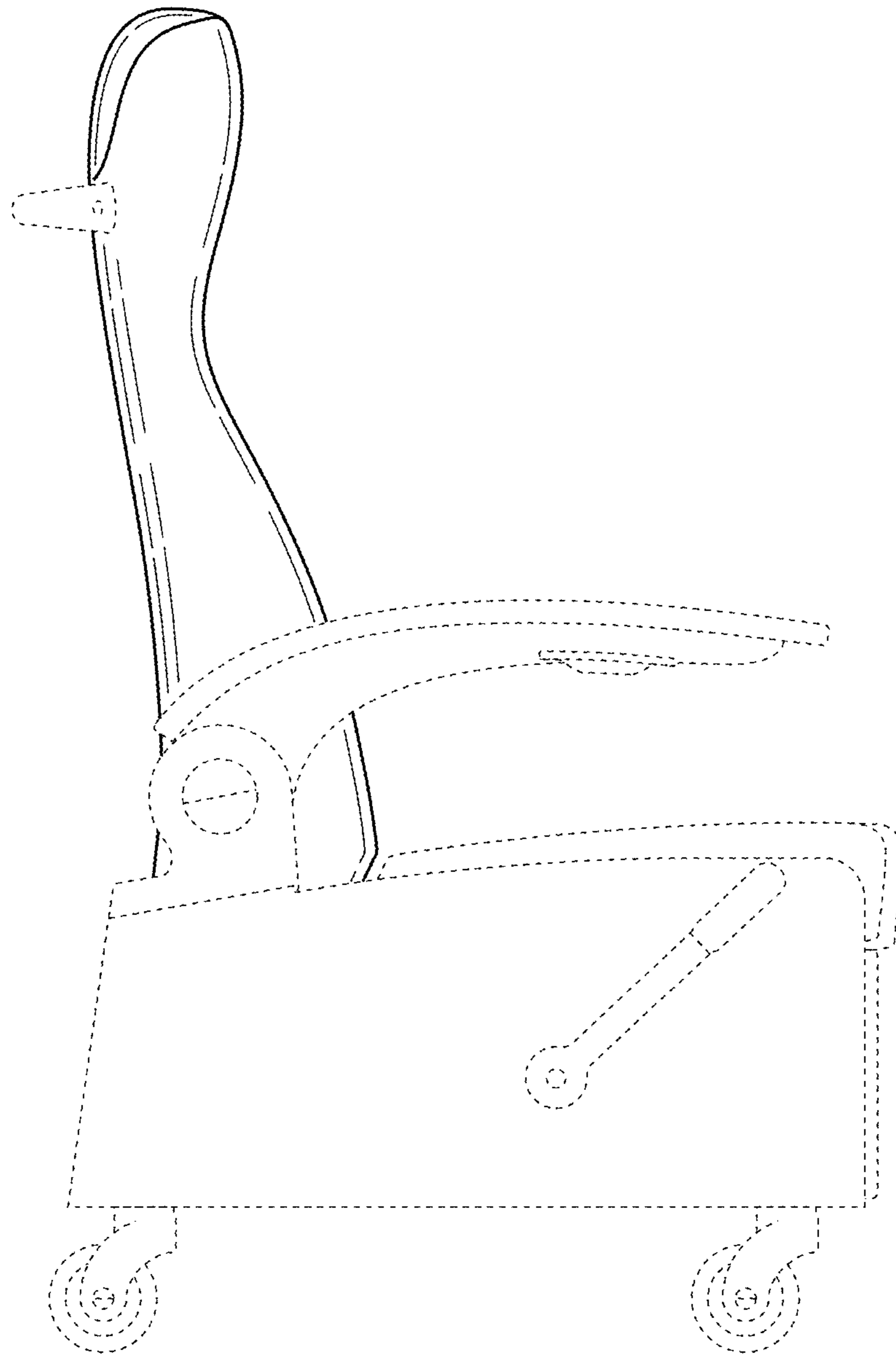


FIG. 6



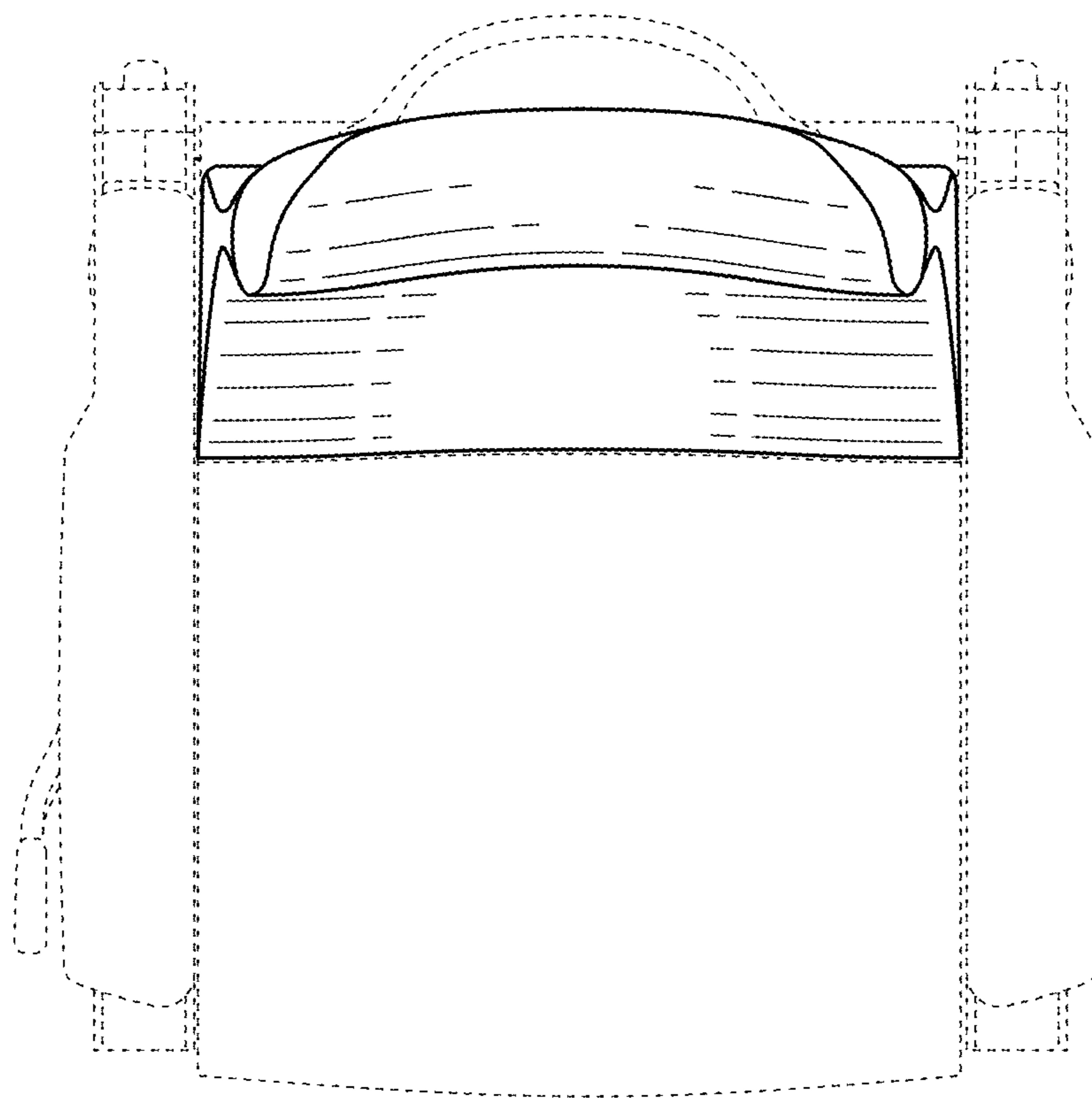


FIG. 7

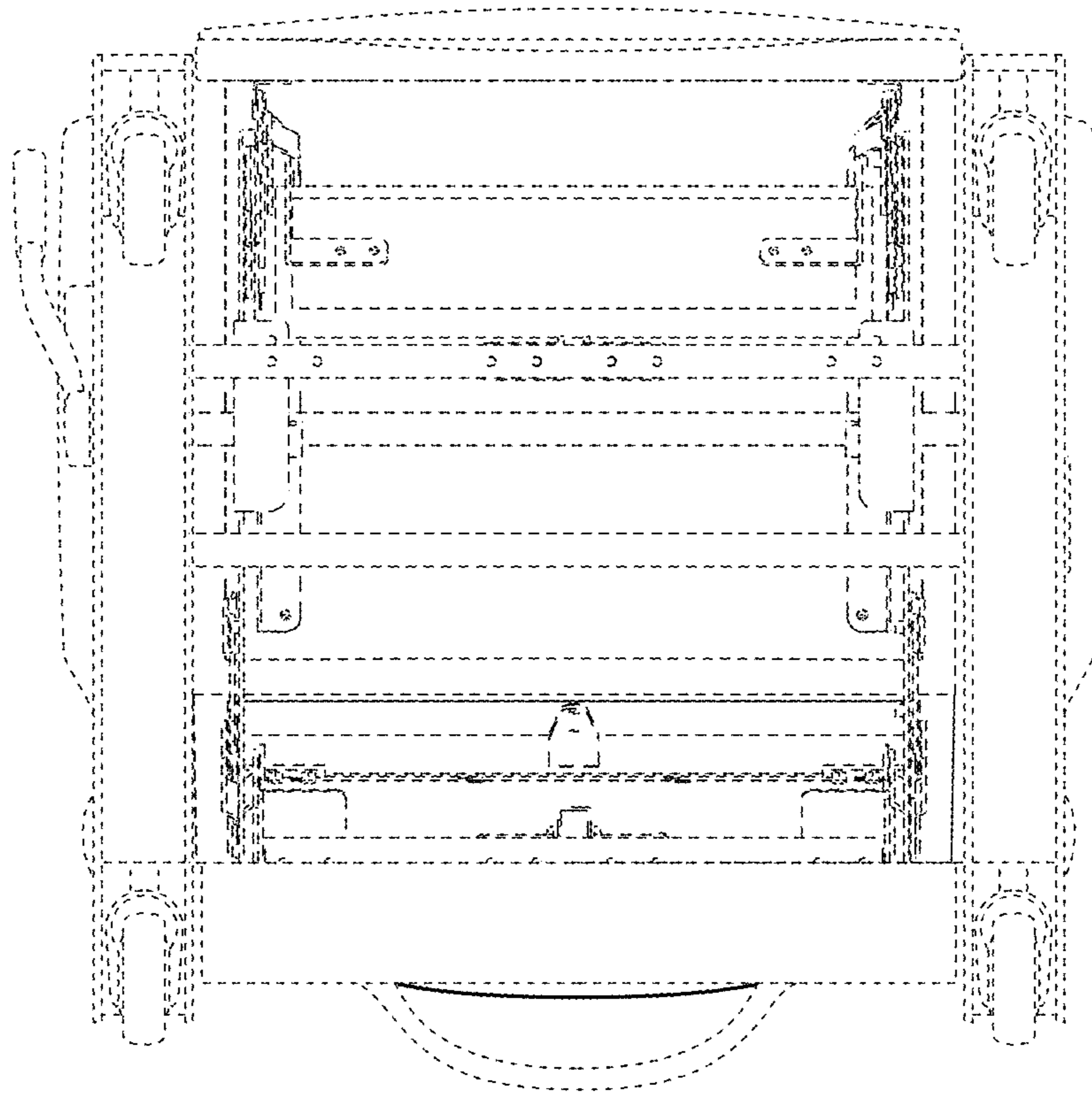


FIG. 8