



US00D784208S

(12) **United States Design Patent** (10) **Patent No.:** **US D784,208 S**  
**Zollars et al.** (45) **Date of Patent:** **\*\* Apr. 18, 2017**

(54) **CHAIR**

(71) Applicant: **HNI Technologies Inc.**, Muscatine, IA (US)  
(72) Inventors: **Jerry Zollars**, Muscatine, IA (US);  
**Nathaniel Birks**, Davenport, IA (US);  
**Conrad M. Marini**, Woodbridge (CA);  
**Paul Mazzotta**, Etobicoke (CA)  
(73) Assignee: **HNI Technologies Inc.**, Muscatine, IA (US)

(\*\*) Term: **14 Years**

(21) Appl. No.: **29/515,994**

(22) Filed: **Jan. 28, 2015**

(51) **LOC (10) Cl.** ..... **12-12**

(52) **U.S. Cl.**  
USPC ..... **D12/128; D12/131**

(58) **Field of Classification Search**  
USPC ..... D12/128–133  
CPC ..... A61G 5/00–5/14  
See application file for complete search history.

(56) **References Cited**

**U.S. PATENT DOCUMENTS**

D223,823 S \* 6/1972 Bowen ..... D12/131  
D250,977 S \* 2/1979 Powers ..... D12/128  
D315,123 S \* 3/1991 Spiegel ..... D12/131  
5,359,176 A 10/1994 Balliet et al.  
D359,856 S 7/1995 Hutton

(Continued)

**FOREIGN PATENT DOCUMENTS**

CN ZL20153027700035 S 2/2016

**OTHER PUBLICATIONS**

BioSpace, 2014, worldwideweb at biospace.com/News/omni-bio-pharmaceutical-announces-encouraging/357849.

(Continued)

*Primary Examiner* — Charles Hanson  
(74) *Attorney, Agent, or Firm* — Faegre Baker Daniels

(57) **CLAIM**

The ornamental design for a chair, as shown and described.

**DESCRIPTION**

FIG. 1 is a perspective view of a chair in a first position from a first point of view.

FIG. 2 is a perspective view of the chair in the first position from a second point of view.

FIG. 3 is a front view of the chair in the first position.

FIG. 4 is a left side view of the chair in the first position.

FIG. 5 is a back view of the chair in the first position.

FIG. 6 is a right side view of the chair in the first position.

FIG. 7 is a top view of the chair in the first position.

FIG. 8 is a bottom view of the chair in the first position.

FIG. 9 is a perspective view of the chair in a second position from the first point of view.

FIG. 10 is a perspective view of the chair in the second position from the second point of view.

FIG. 11 is a front view of the chair in the second position.

FIG. 12 is a left side view of the chair in the second position.

FIG. 13 is a back view of the chair in the second position.

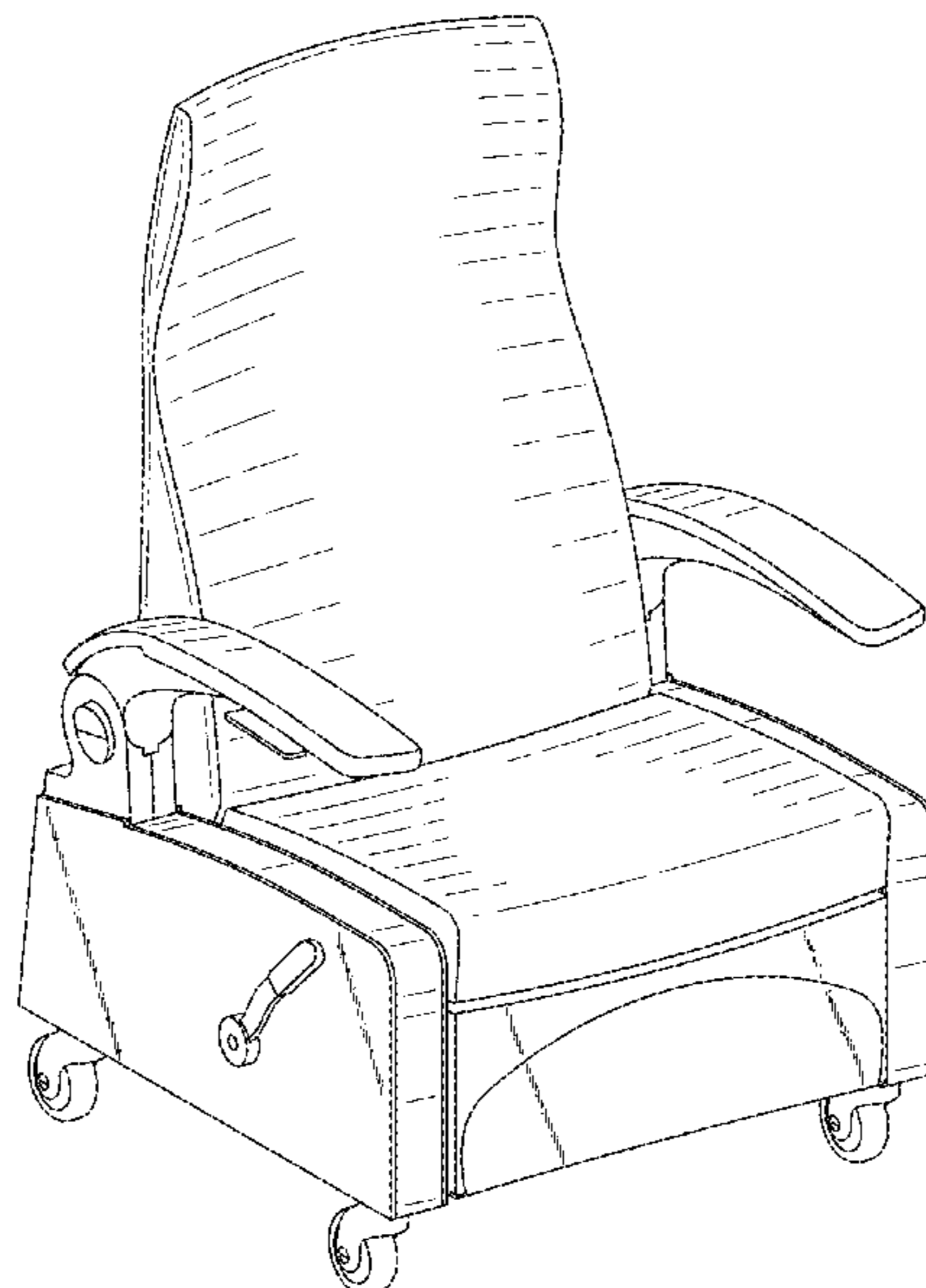
FIG. 14 is a right side view of the chair in the second position.

FIG. 15 is a top view of the chair in the second position; and,

FIG. 16 is a bottom view of the chair in the second position.

The broken line showing is included for the purpose of illustrating unclaimed subject matter and forms no part of the claimed design.

**1 Claim, 16 Drawing Sheets**



(56)

**References Cited**

U.S. PATENT DOCUMENTS

D364,971 S \* 12/1995 Sterlacci ..... D12/128  
 D398,565 S \* 9/1998 Knabusch ..... D12/131  
 D433,825 S 11/2000 Piretti  
 D440,414 S 4/2001 Natuzzi et al.  
 D451,849 S \* 12/2001 Noshi ..... D12/131  
 D489,653 S 5/2004 Tsai  
 D494,110 S 8/2004 Cheng  
 D503,364 S \* 3/2005 Miura ..... D12/131  
 D510,666 S 10/2005 Pimental et al.  
 7,020,517 B2 3/2006 Weiner  
 D539,044 S 3/2007 Solheim  
 D569,769 S 5/2008 Chiu et al.  
 D580,664 S 11/2008 Cramer et al.  
 D590,304 S 4/2009 Kruse  
 D611,718 S \* 3/2010 Tierney ..... D12/128  
 7,740,575 B2 6/2010 Peters et al.  
 7,866,613 B2 1/2011 Cramer  
 D657,967 S 4/2012 Spoelhof et al.

D681,353 S 5/2013 Lade  
 D686,004 S 7/2013 Schweikarth et al.  
 D703,960 S 5/2014 Doyle et al.  
 8,727,048 B2 5/2014 Jurkiewicz et al.  
 D717,553 S 11/2014 Baraldi et al.  
 D735,622 S 8/2015 Spalding et al.  
 D739,662 S 9/2015 Webb  
 D742,285 S \* 11/2015 Cooper ..... D12/131  
 D756,673 S 5/2016 Schweikarth

OTHER PUBLICATIONS

Kamada (2016, [kamada.com/news\\_item.php?ID=217](http://kamada.com/news_item.php?ID=217)).  
 Marcondes et al (2014, 56th ASH Annual Meeting and Exposition, San Francisco, CA, poster presentation).  
 Marcondes et al. (2014, 56th Annual Meeting and Exposition, San Francisco, CA, oral and poster abstracts, abstract 3927).  
 OmniBio (2014, Interim Phase 1/2 Data presented at the American Society of Hematology).

\* cited by examiner

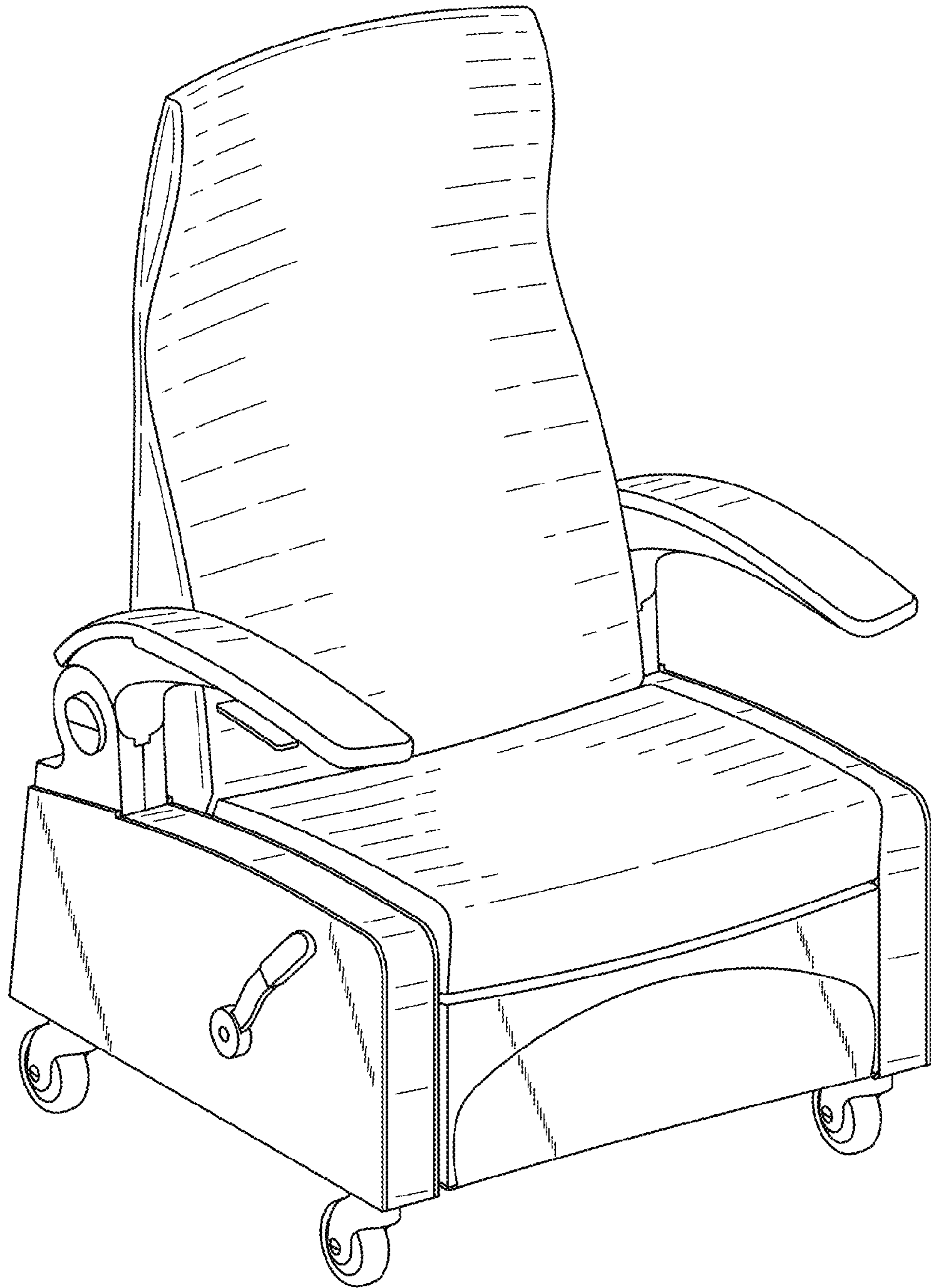


FIG. 1

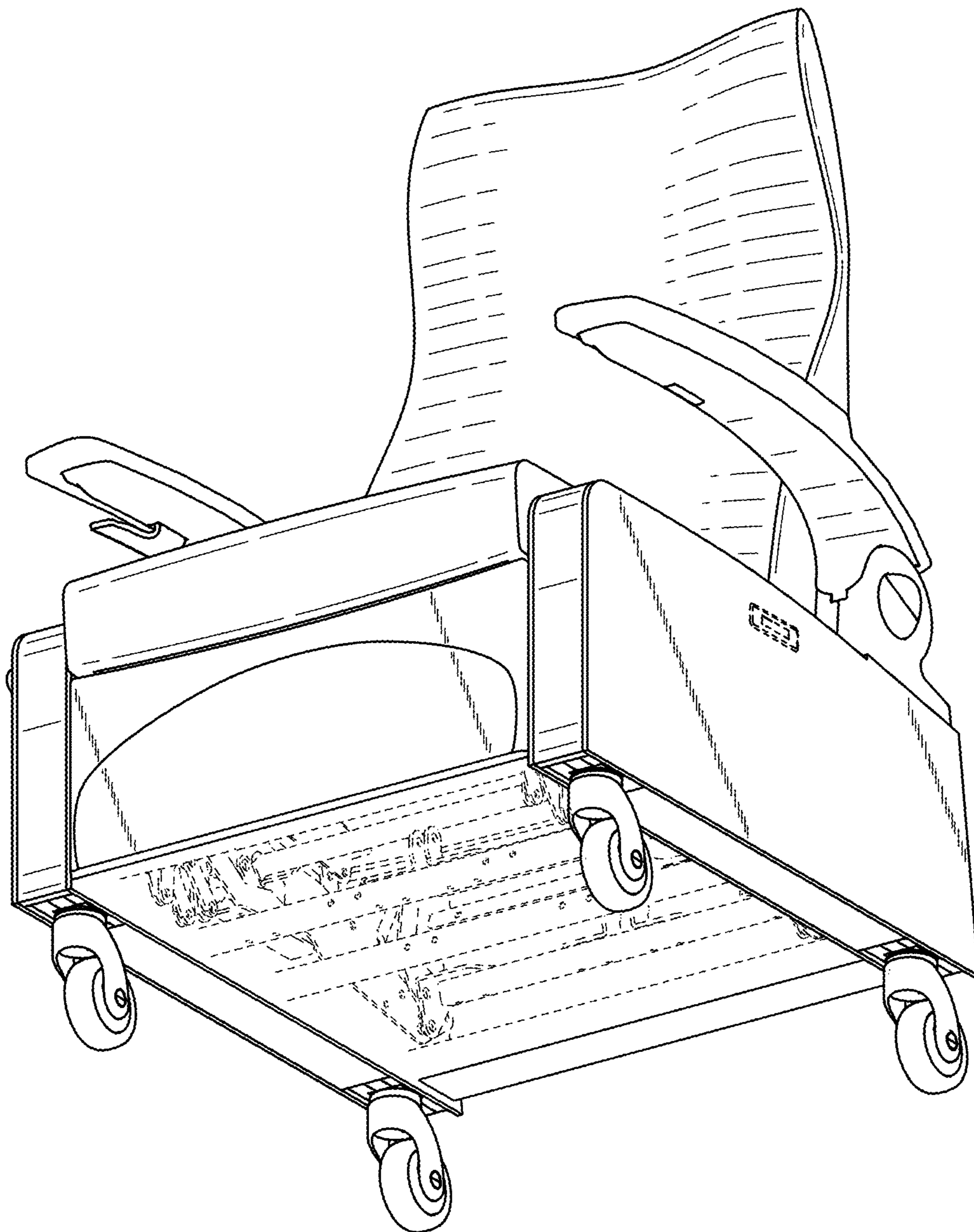


FIG. 2

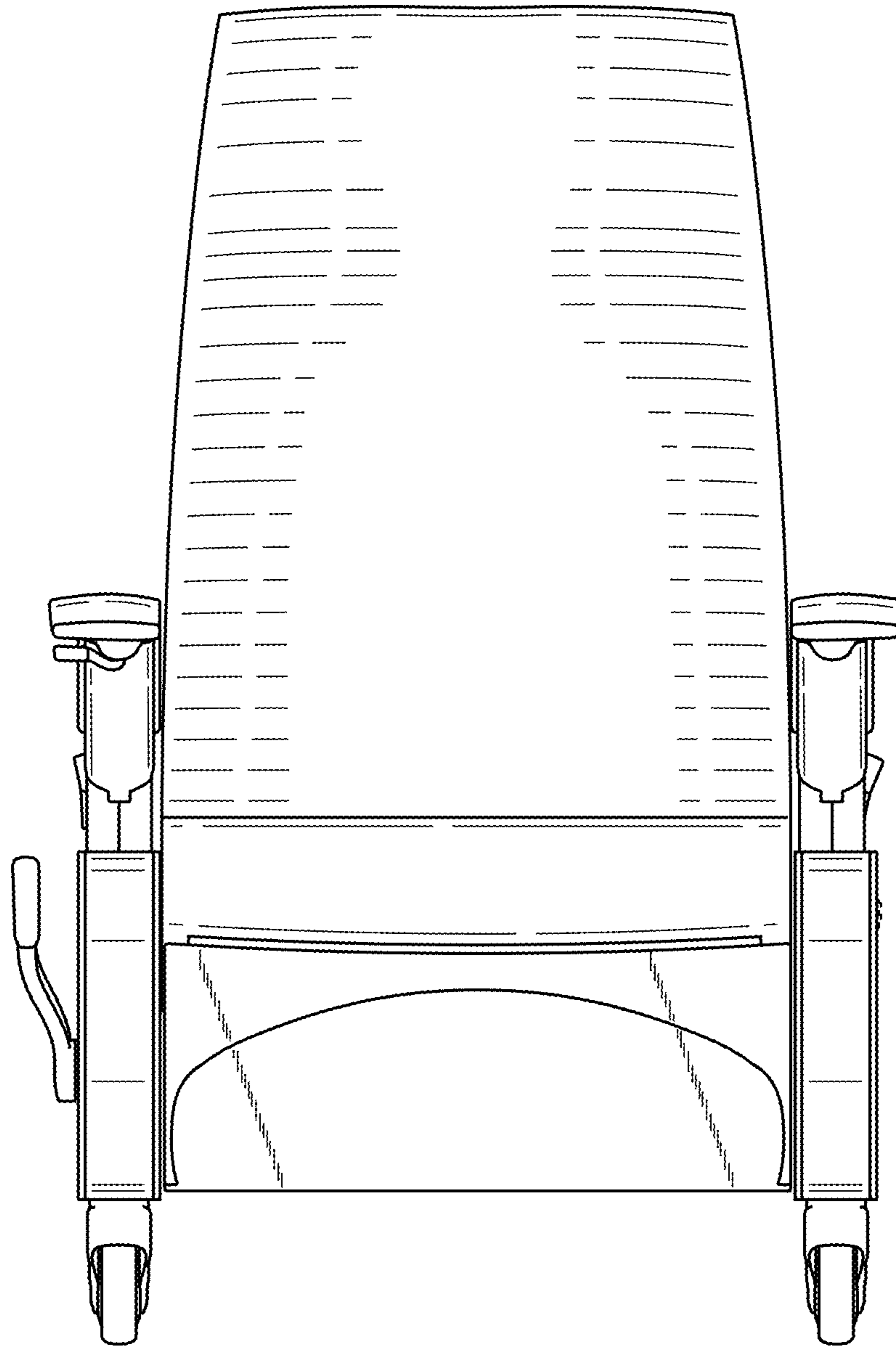


FIG. 3

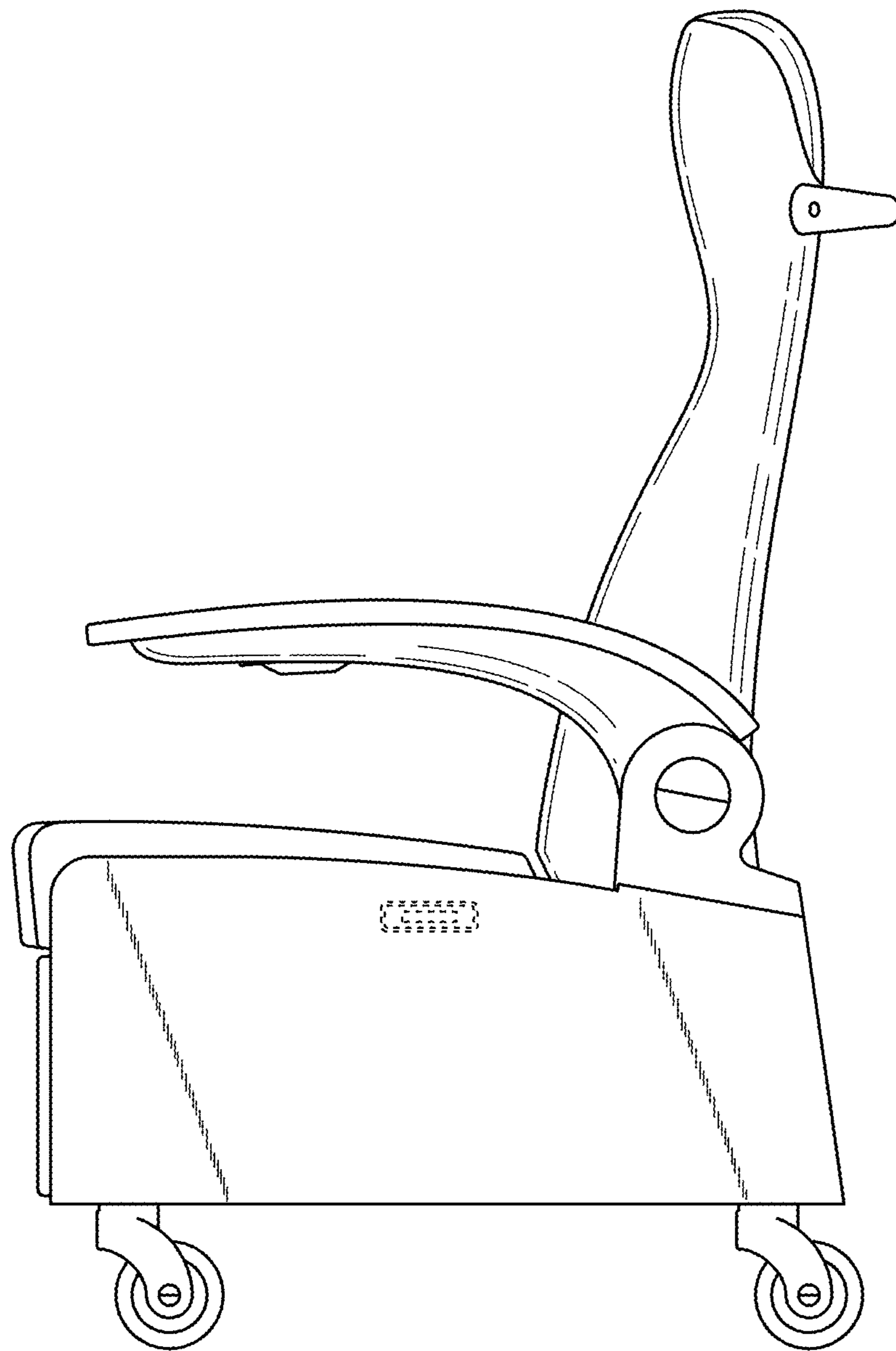


FIG. 4

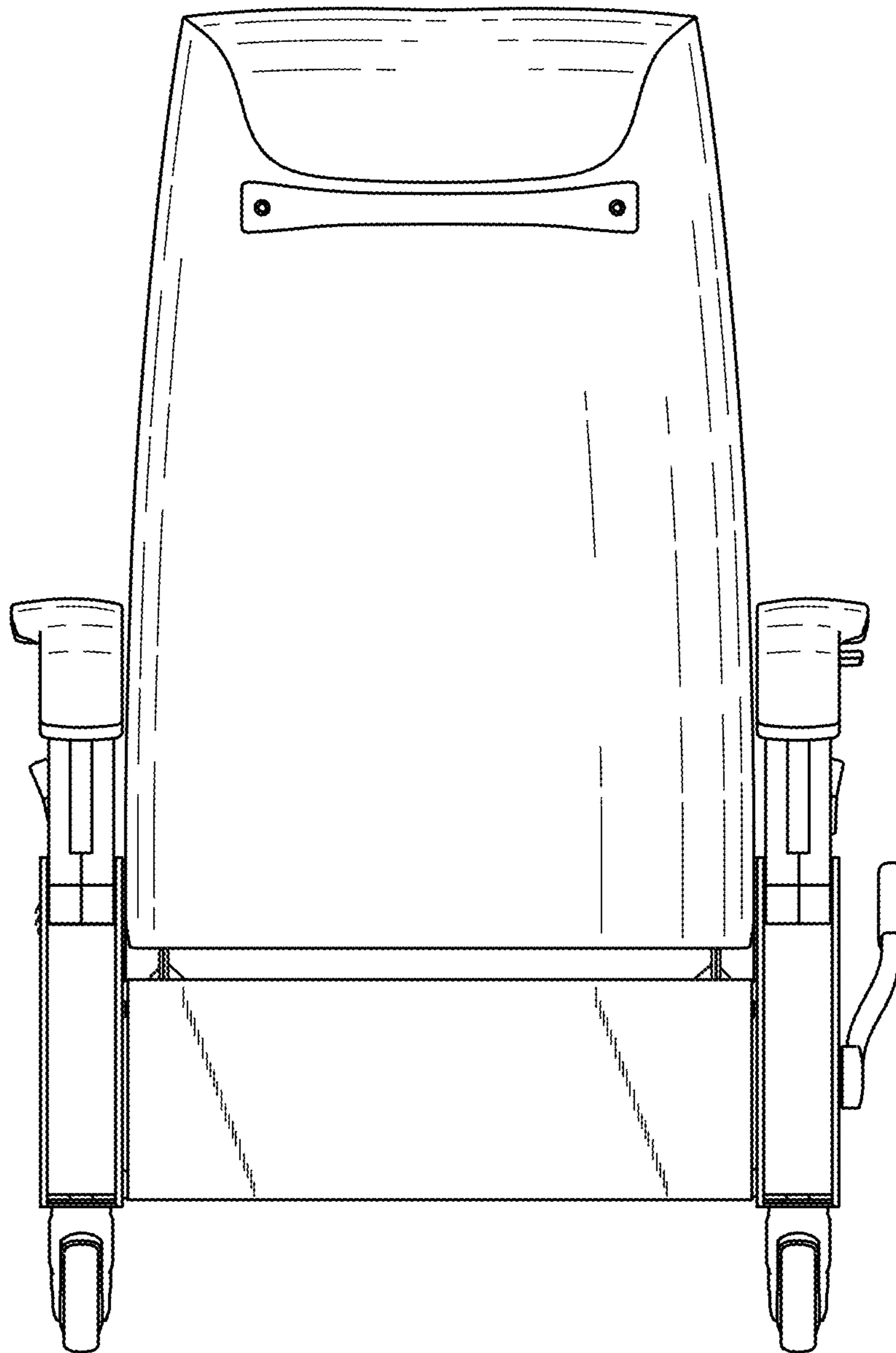


FIG. 5

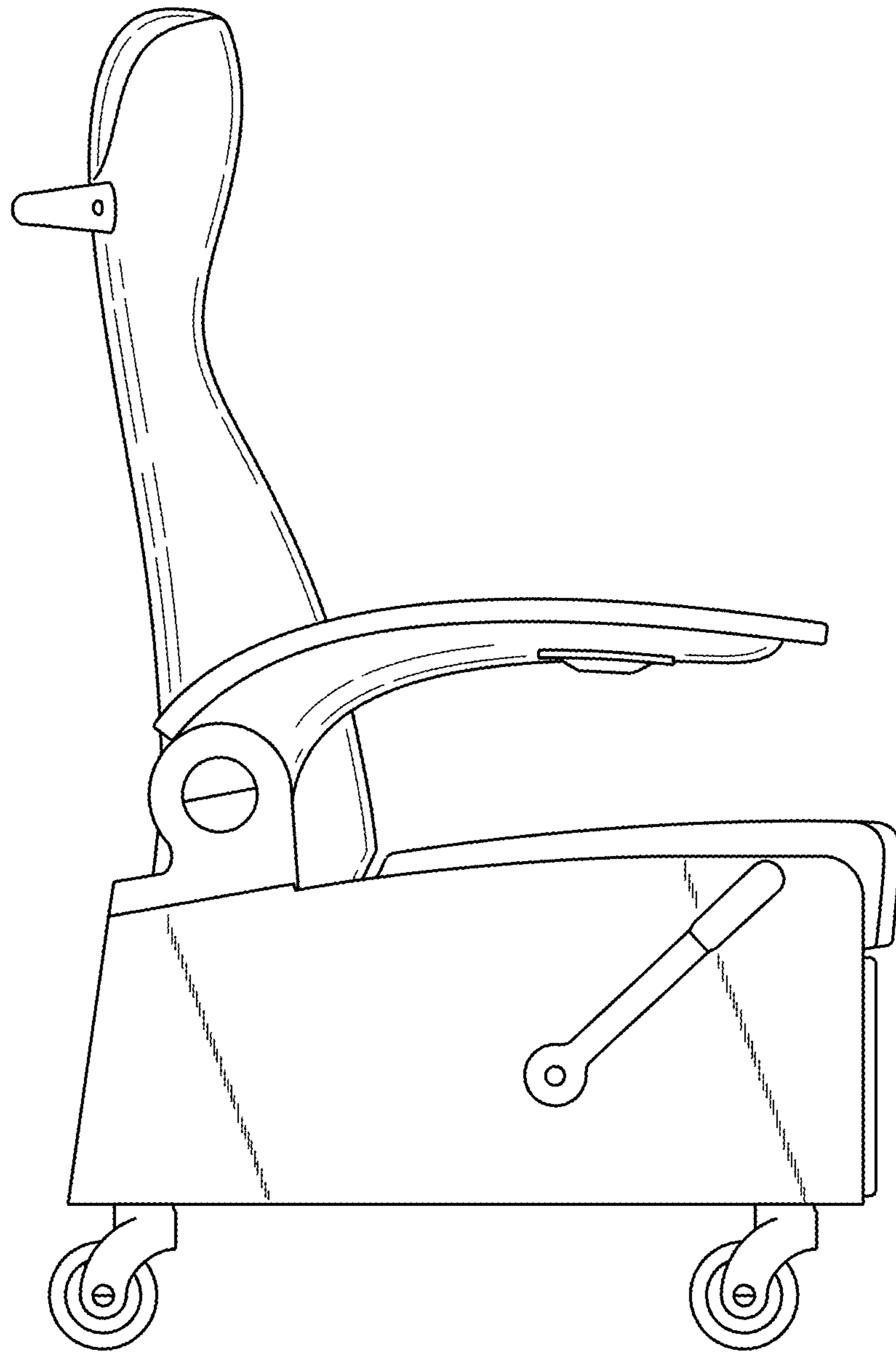


FIG. 6



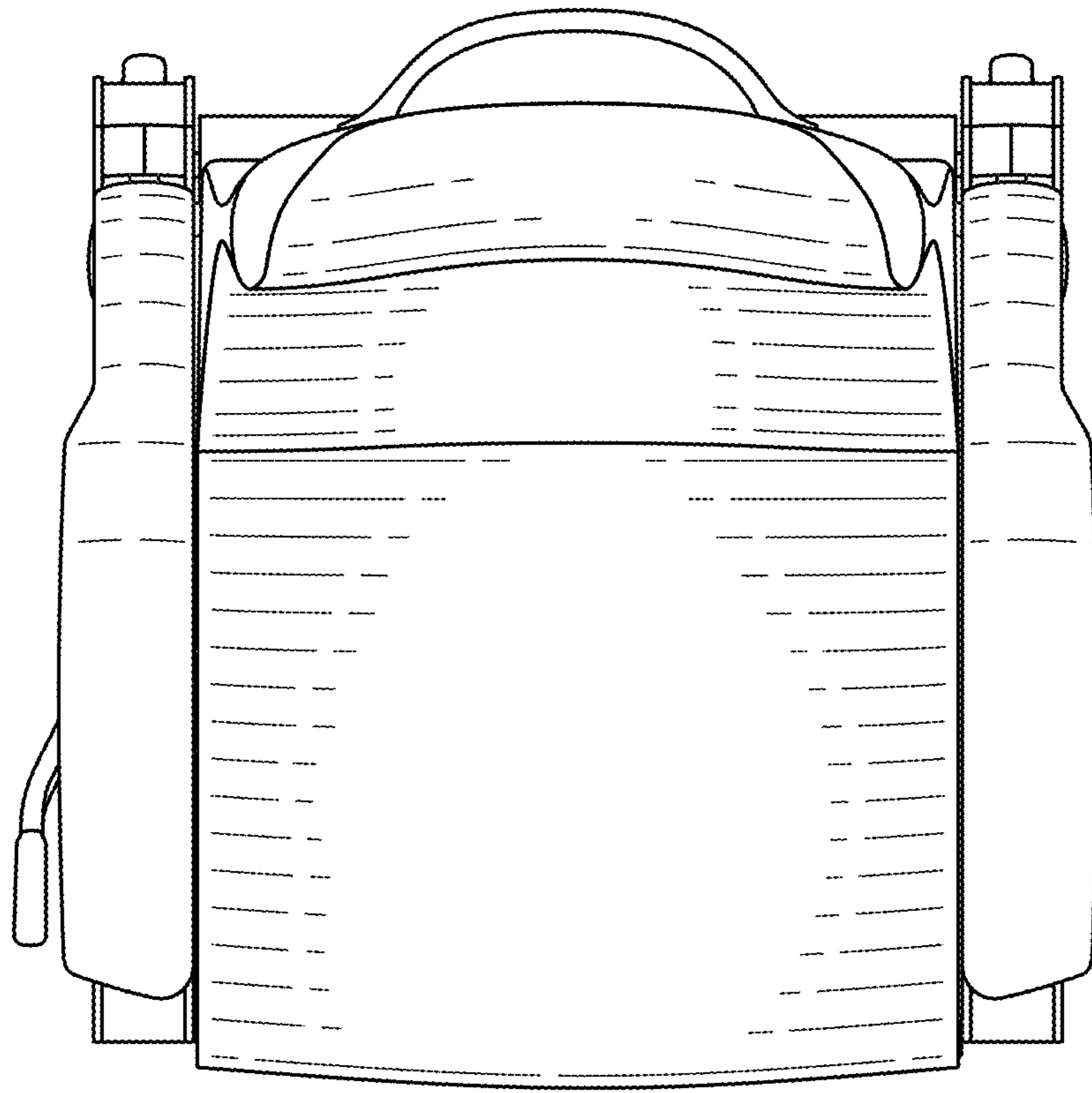


FIG. 7

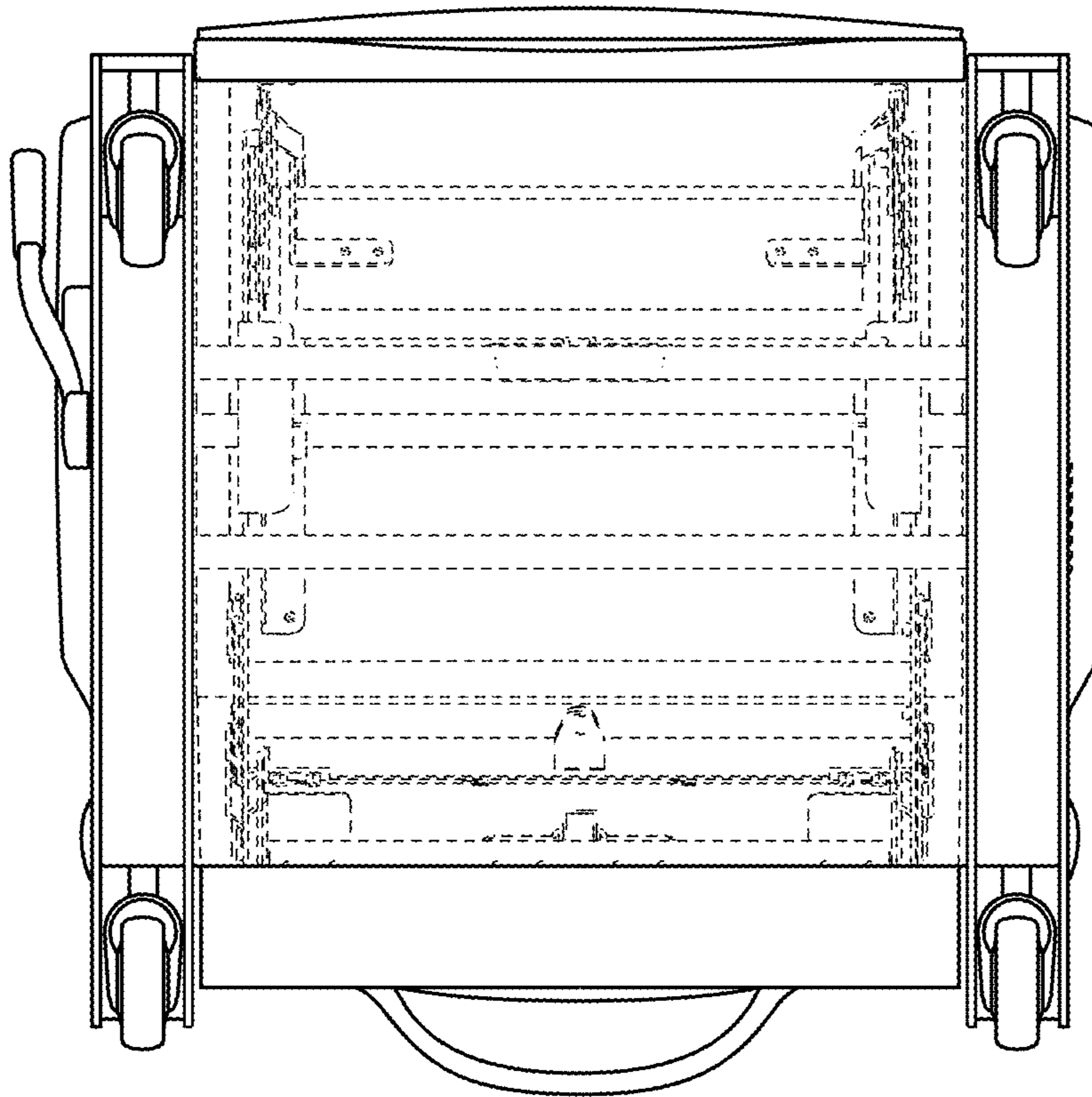


FIG. 8

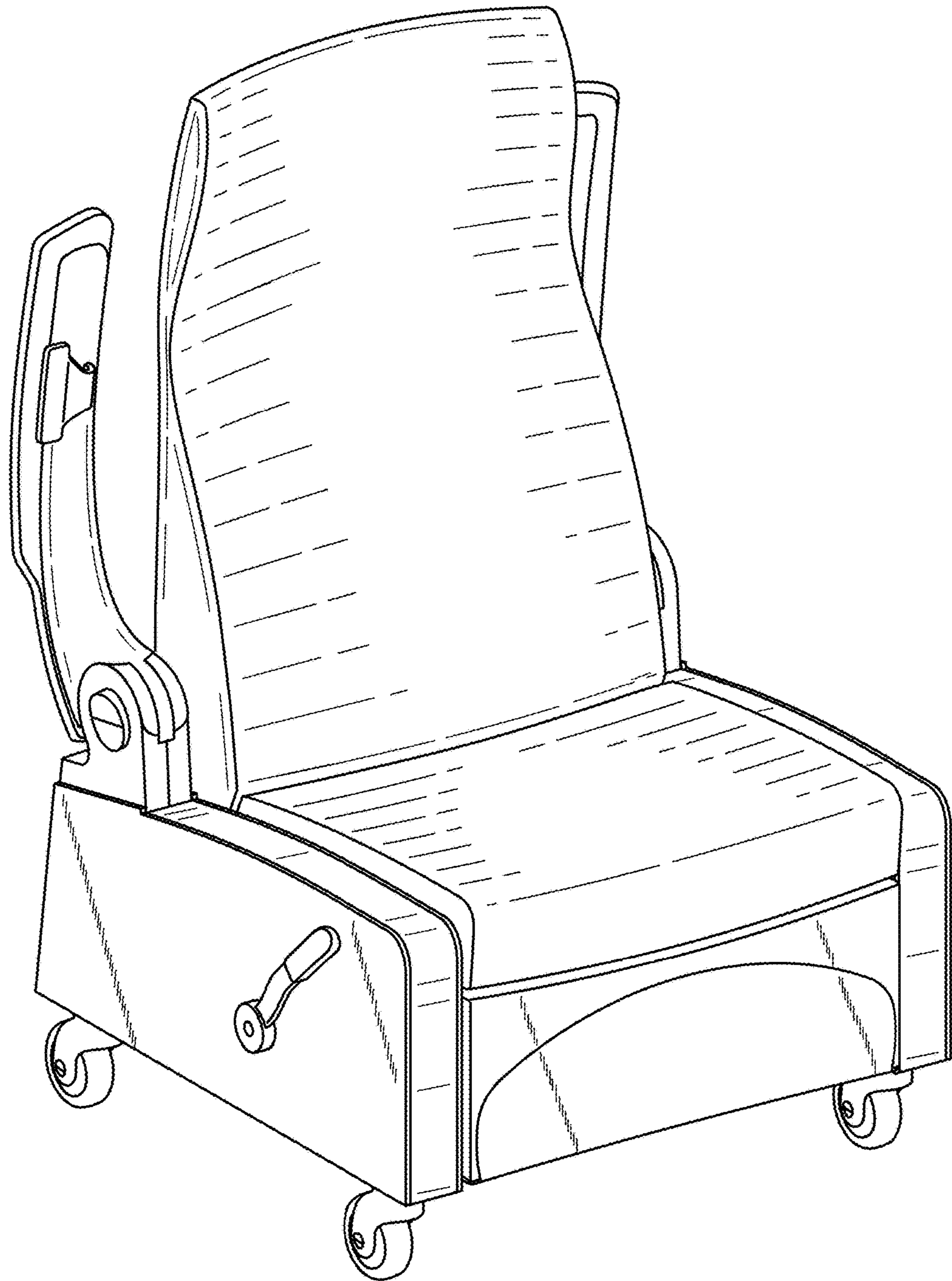


FIG. 9

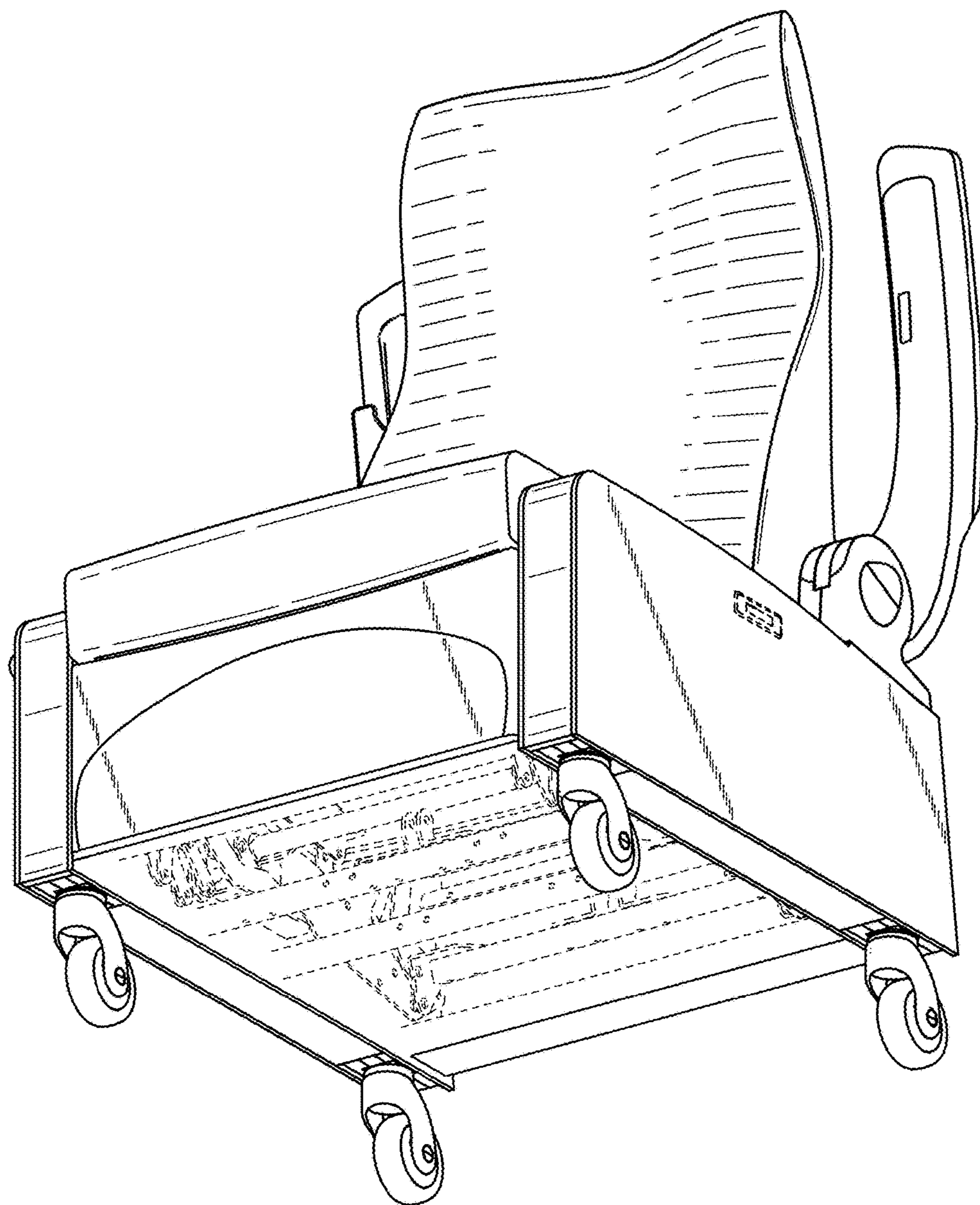


FIG. 10

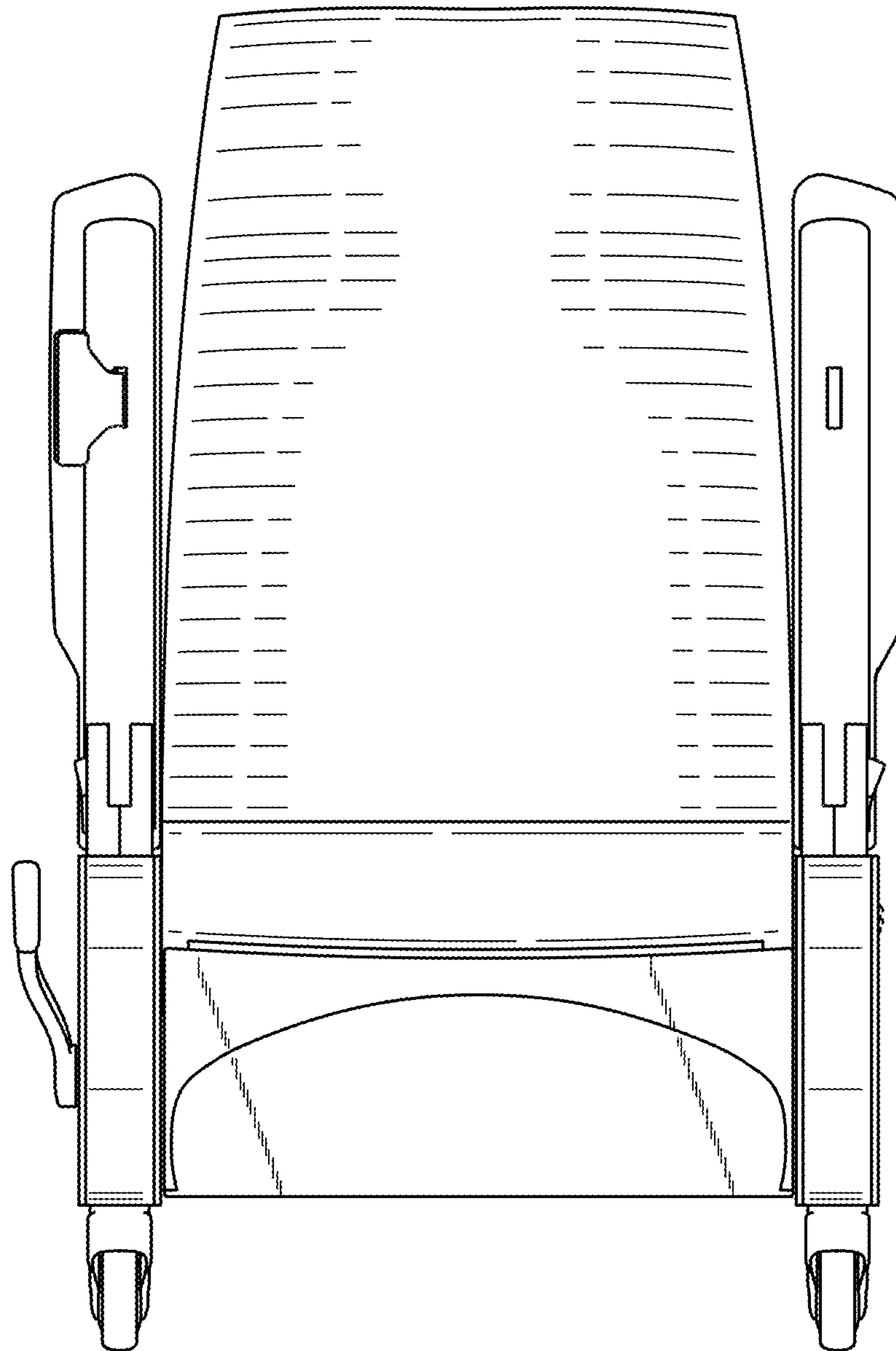


FIG. 11

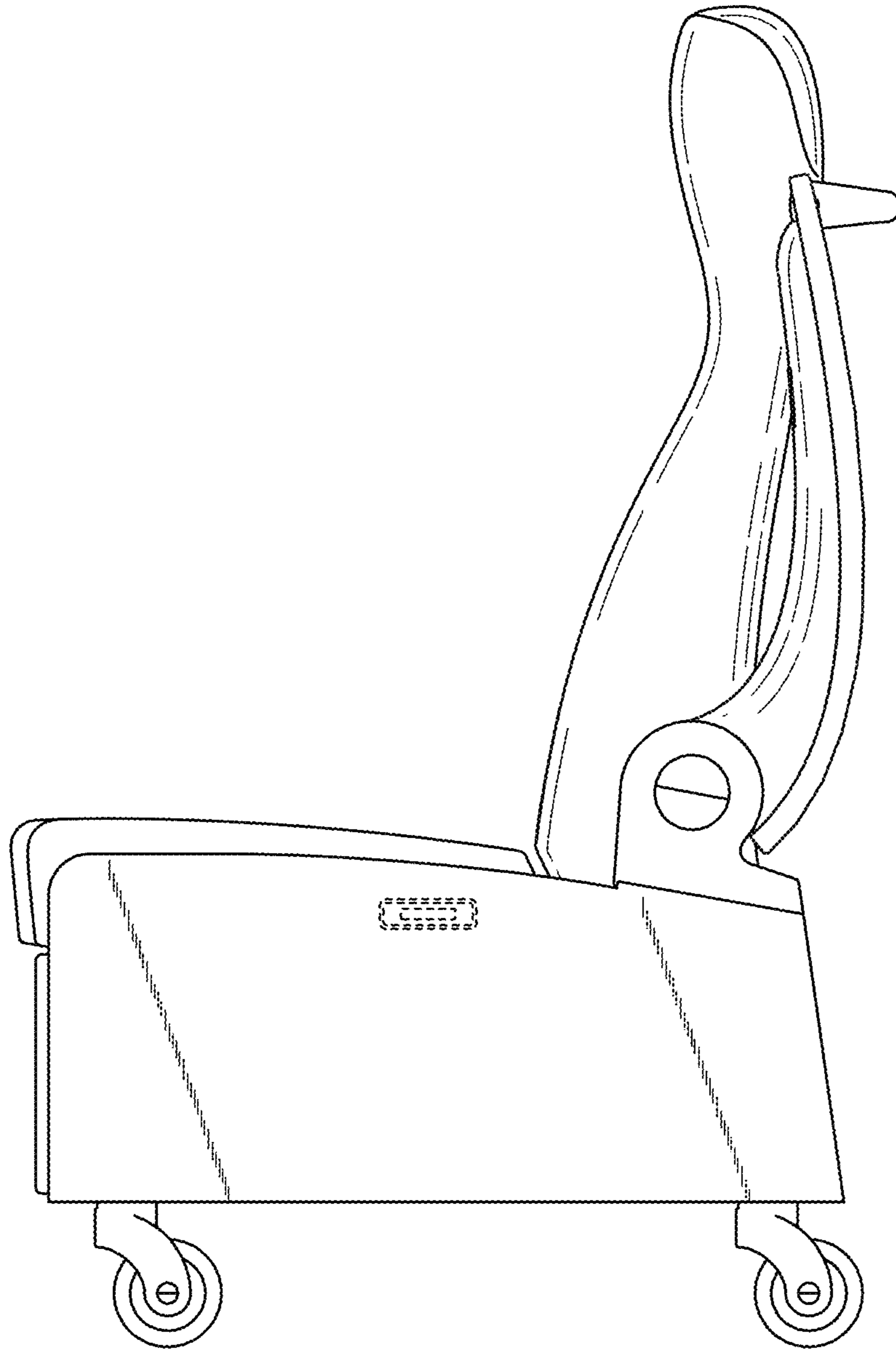


FIG. 12

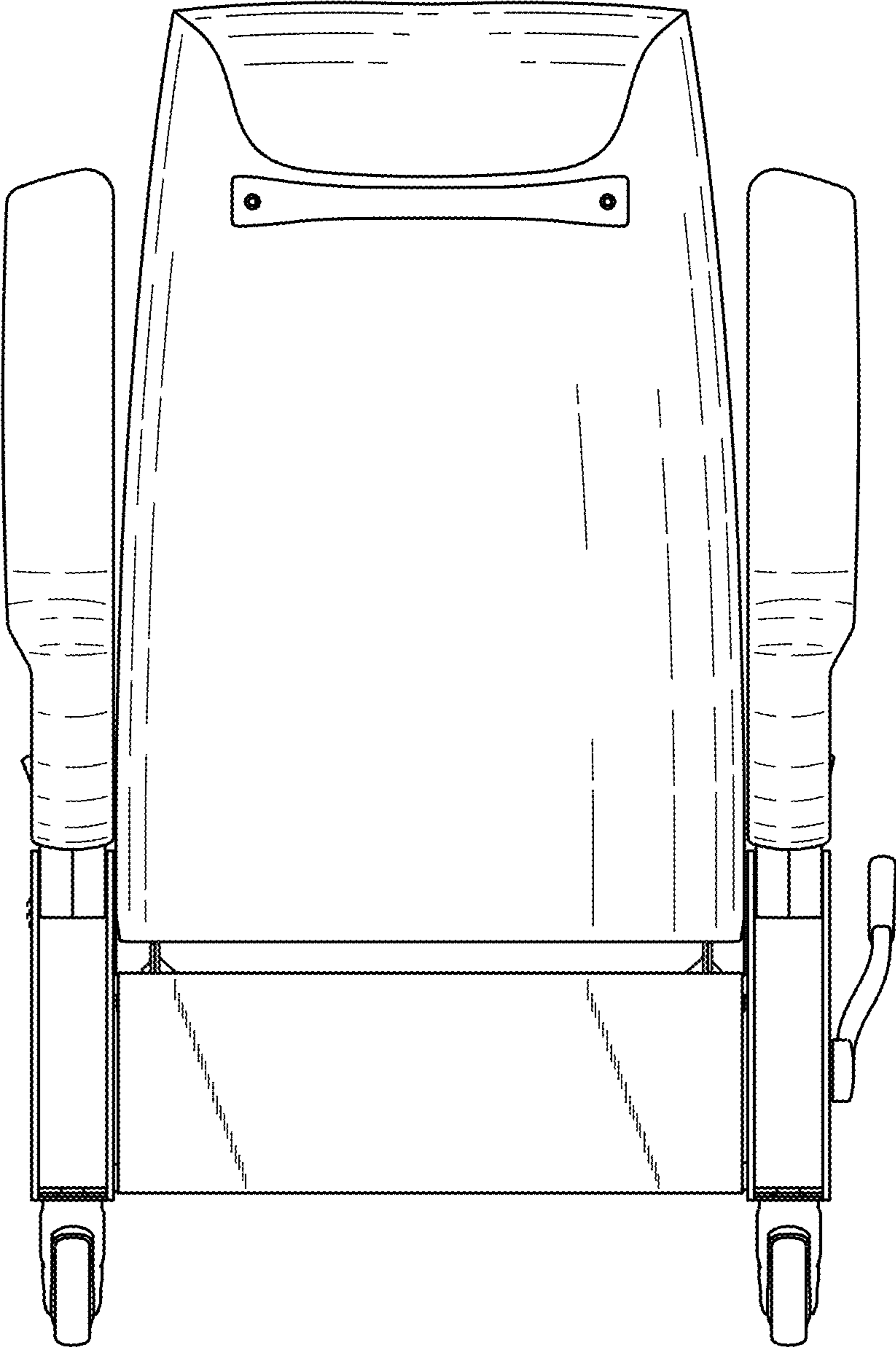


FIG. 13

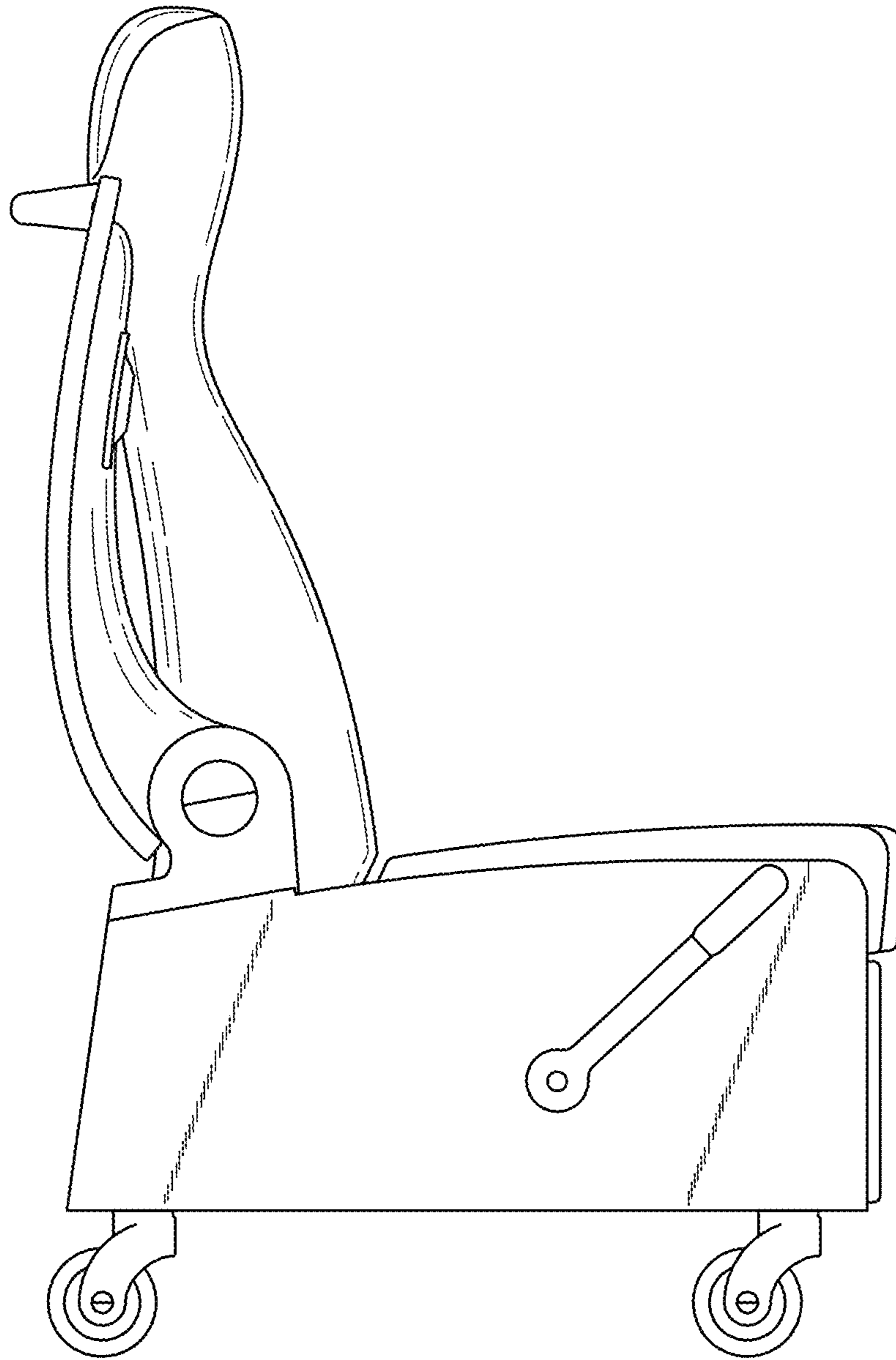


FIG. 14



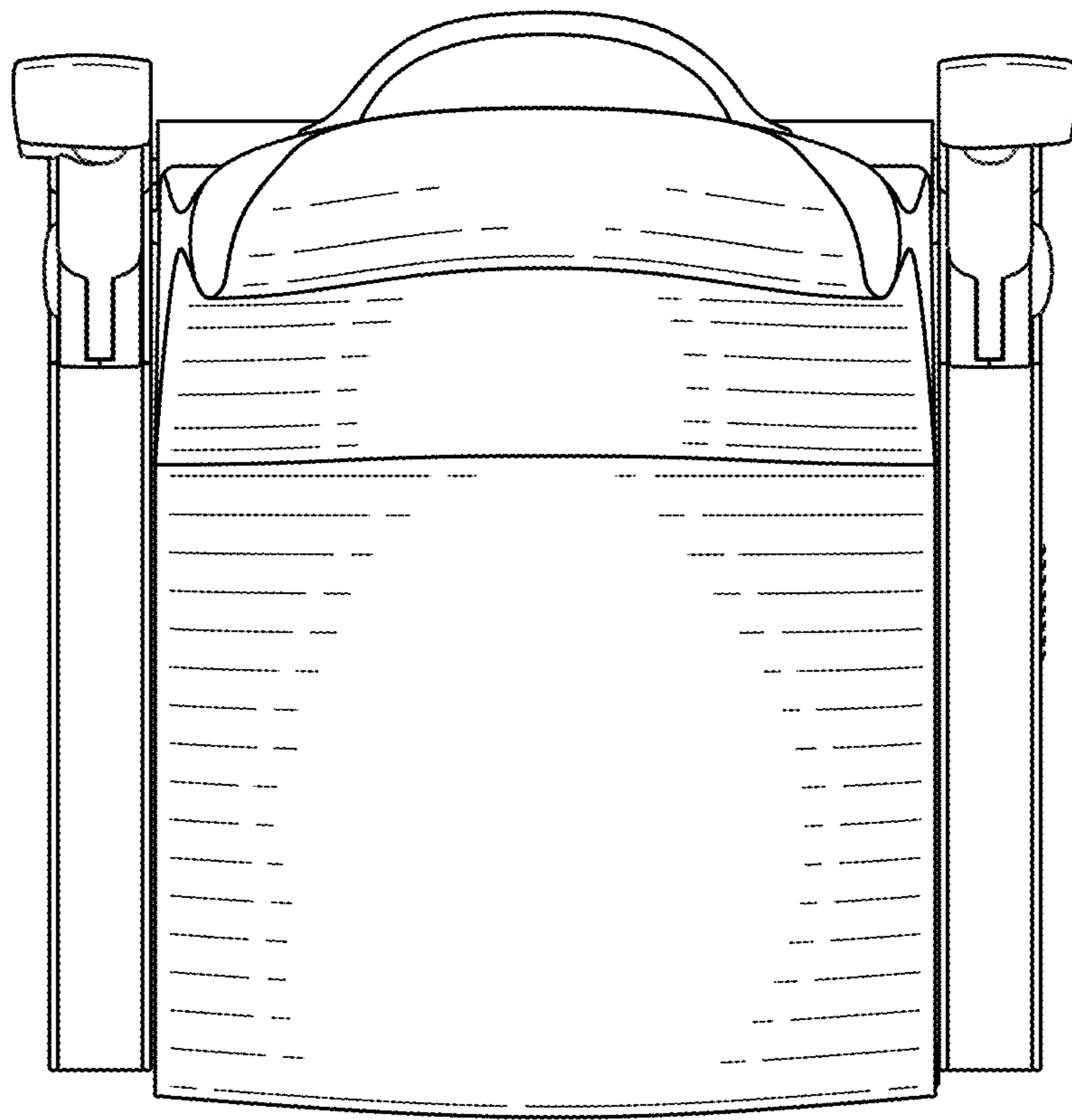


FIG. 15

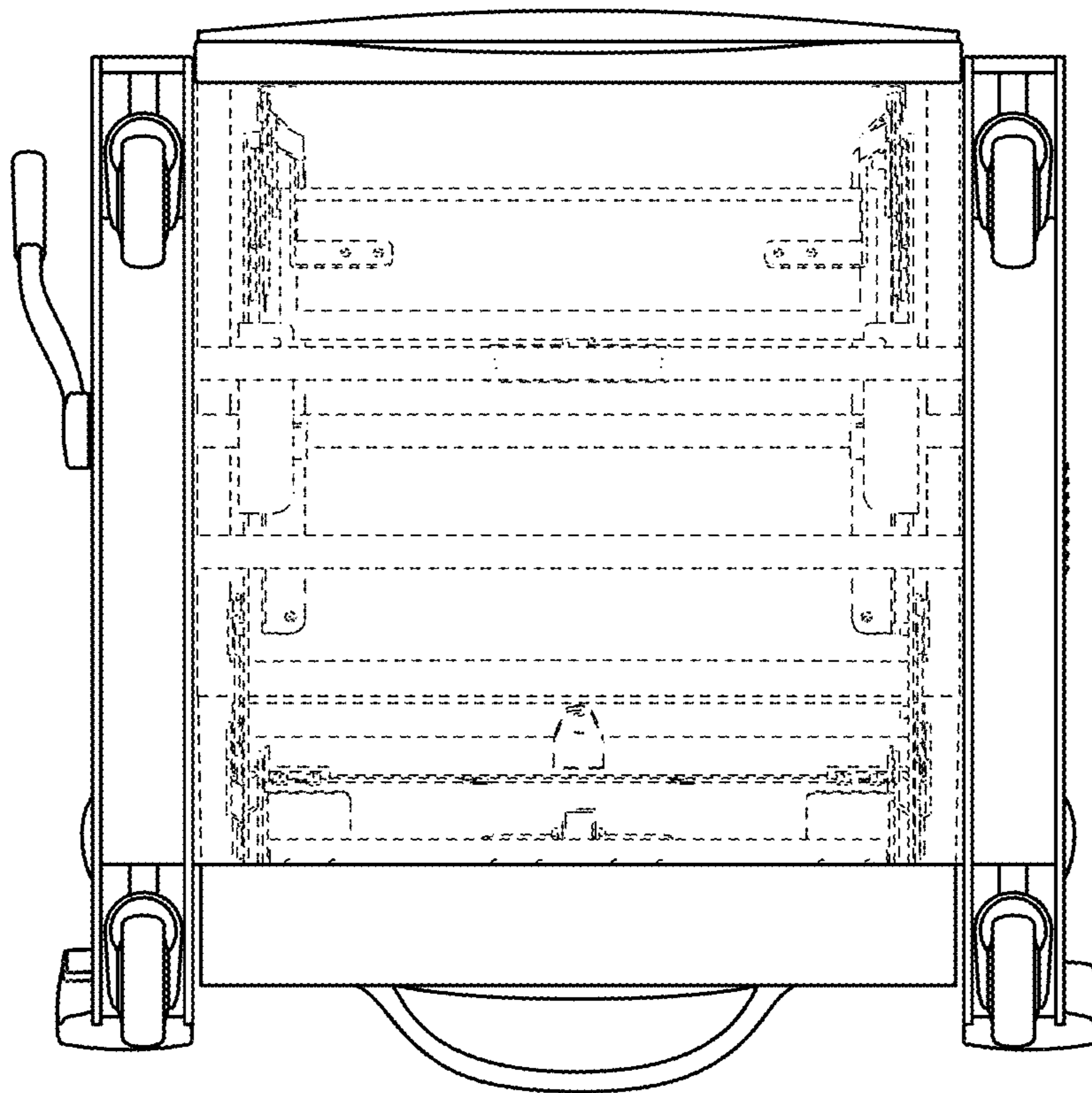


FIG. 16