



US00D784206S

(12) **United States Design Patent**
Zhang

(10) **Patent No.:** **US D784,206 S**
(45) **Date of Patent:** **** Apr. 18, 2017**

- (54) **FOLDING ELECTRIC BICYCLE**
- (71) Applicant: **Shenzhen Acetech Technology Co., Ltd.**, Shenzhen (CN)
- (72) Inventor: **Chunhua Zhang**, Shenzhen (CN)
- (73) Assignee: **SHENZHEN ACETECH TECHNOLOGY CO., LTD.**, Shenzhen (CN)
- (**) Term: **15 Years**
- (21) Appl. No.: **29/550,319**
- (22) Filed: **Dec. 31, 2015**
- (51) **LOC (10) Cl.** **12-11**
- (52) **U.S. Cl.**
USPC **D12/111**
- (58) **Field of Classification Search**
USPC D12/111, 117; D21/419, 424;
280/274-280, 281.1, 283-288,
280/288.1-288.4
CPC ... B62K 3/00; B62K 3/02; B62K 3/06; B62K
3/08; B62K 9/00; B62K 15/00; B62K
15/006; B62K 15/008; B62K 17/00
See application file for complete search history.

D498,438 S *	11/2004	Ying	D12/111
D503,362 S *	3/2005	Zhu	D12/111
D620,400 S *	7/2010	Haller	D12/111
D650,724 S *	12/2011	Chiang	D12/111
D685,683 S *	7/2013	Shaw	D12/111
D726,592 S *	4/2015	Zhang	D12/107
D727,215 S *	4/2015	Yang	D12/111
D746,924 S *	1/2016	Delgatty	D21/423
D750,711 S *	3/2016	Delgatty	D21/423
2012/0043148 A1 *	2/2012	Brady	B60L 3/0069 180/206.5
2015/0060176 A1 *	3/2015	Paick	B62M 6/60 180/208

* cited by examiner

Primary Examiner — Darlington Ly
(74) *Attorney, Agent, or Firm* — Pro-Techt International Services; Ian Oglesby

(57) **CLAIM**

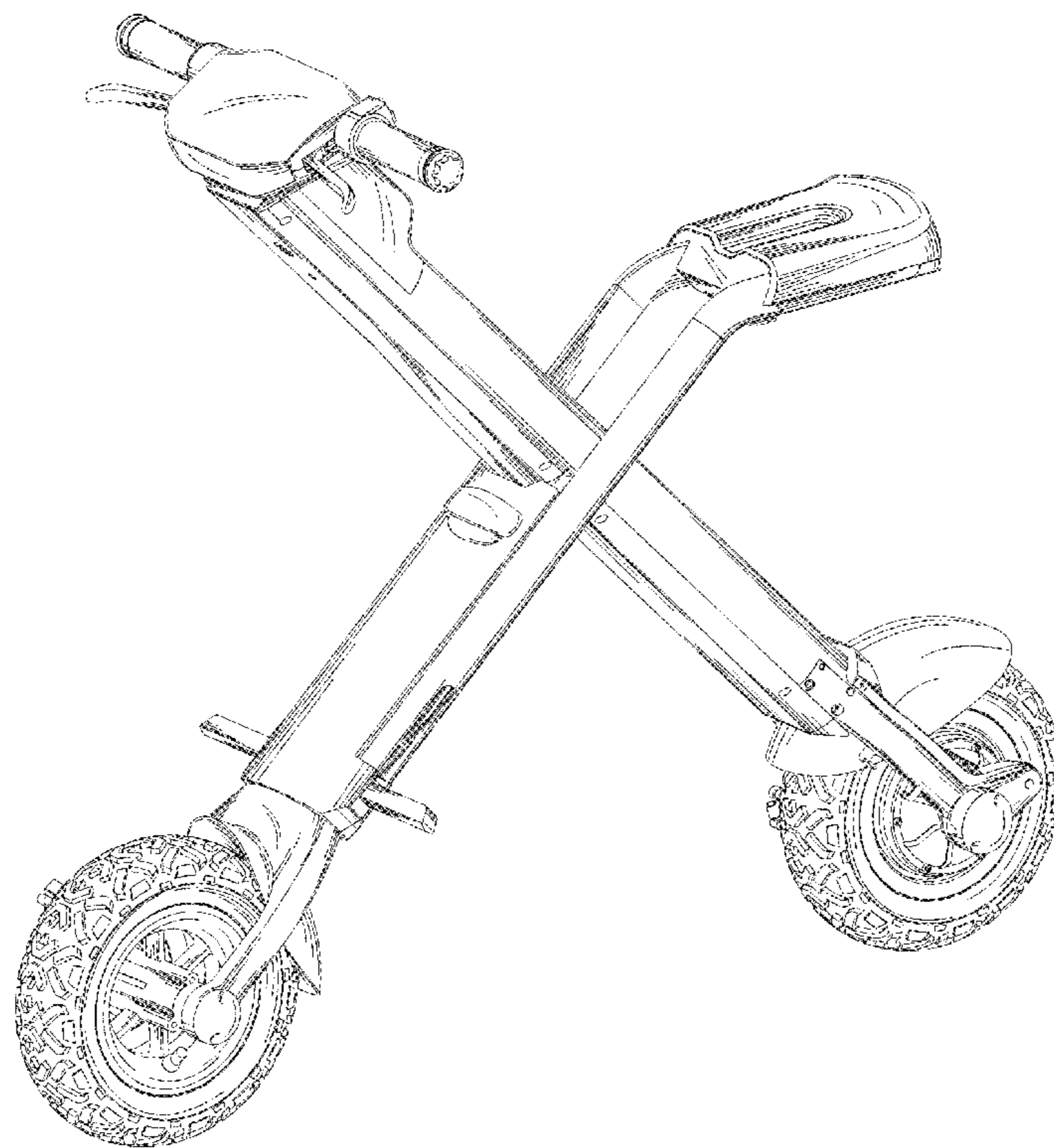
The ornamental design for a folding electric bicycle, as shown and described.

DESCRIPTION

FIG. 1 is a front perspective view of a folding electric bicycle showing my new design;
FIG. 2 is a front elevation view thereof;
FIG. 3 is a rear elevation view thereof;
FIG. 4 is a left side elevation view thereof;
FIG. 5 is a right side elevation view thereof;
FIG. 6 is a top plan view thereof; and,
FIG. 7 is a perspective view thereof in a folded position.

1 Claim, 7 Drawing Sheets

- (56) **References Cited**
U.S. PATENT DOCUMENTS
D466,839 S * 12/2002 Ou D12/110
6,588,787 B2 * 7/2003 Ou B62K 15/008
180/220



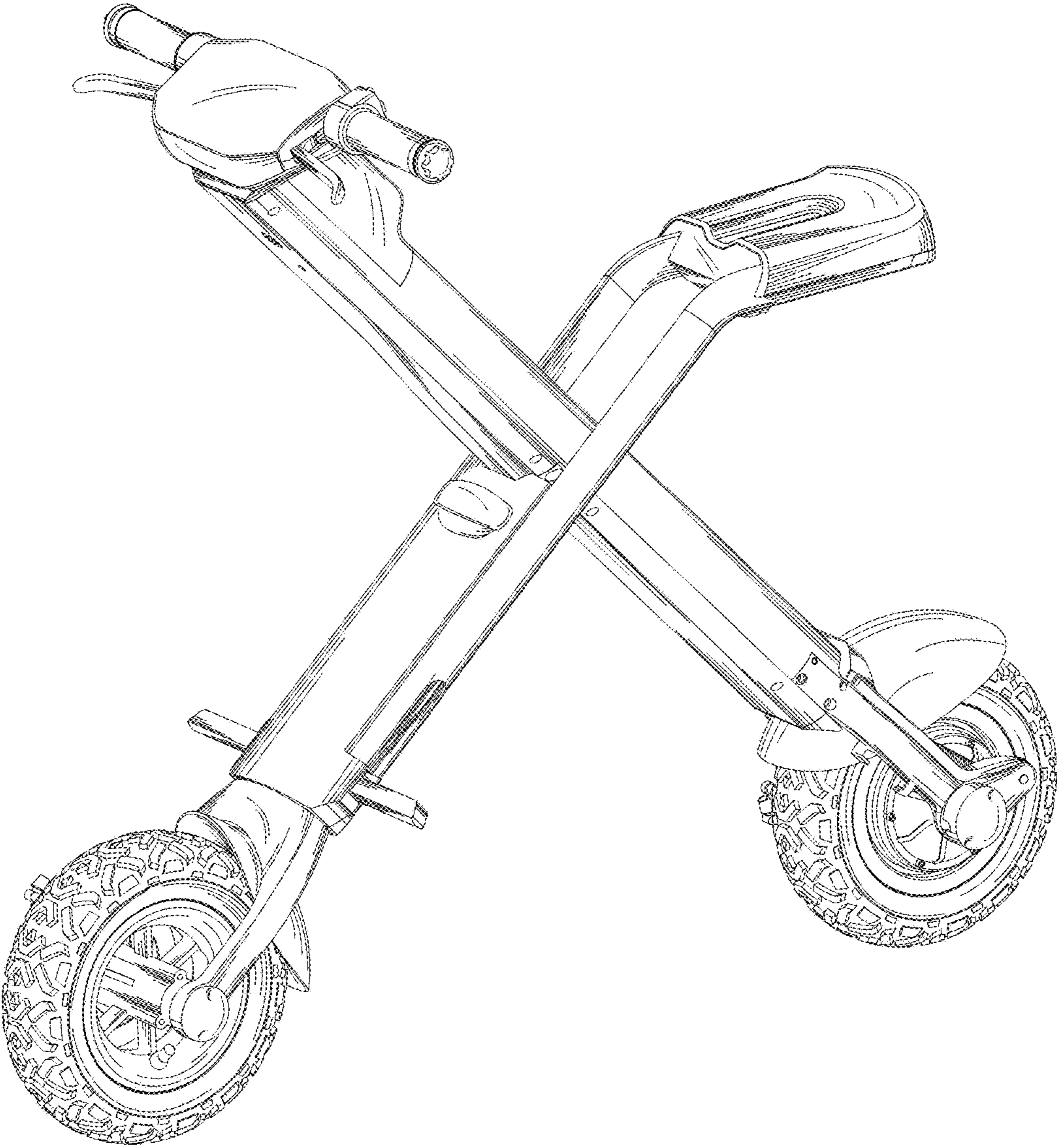


Figure 1

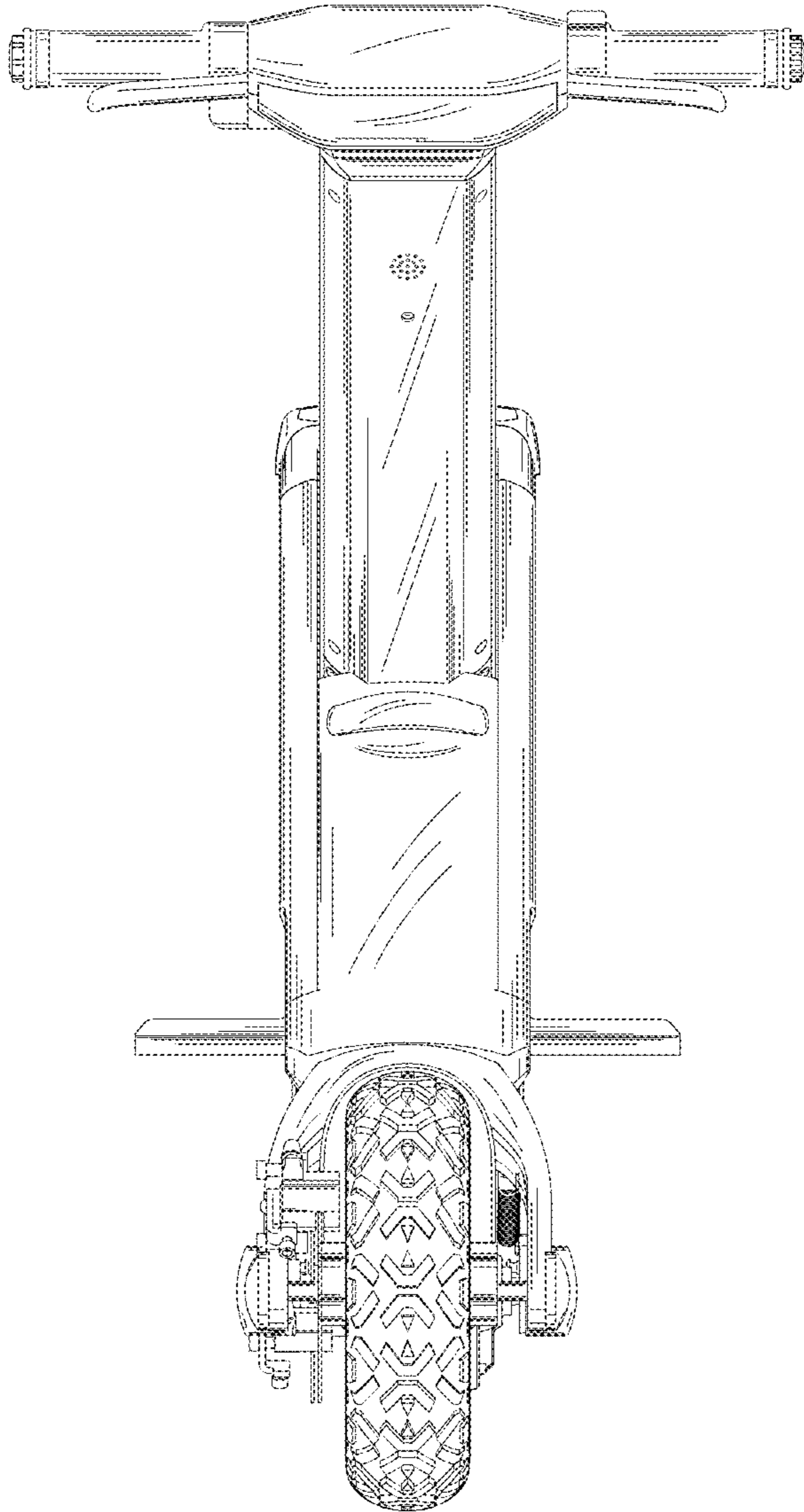


Figure 2

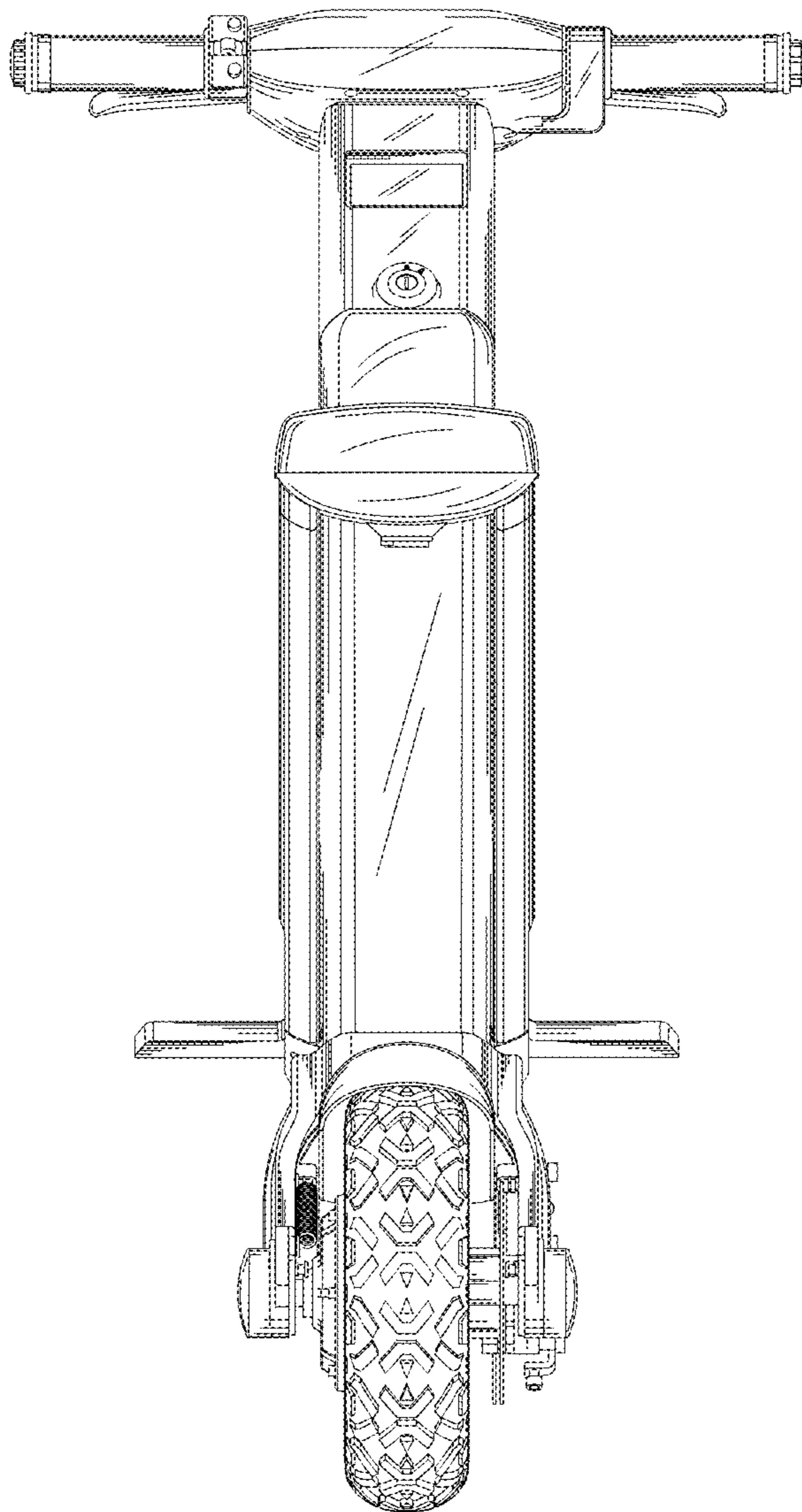


Figure 3

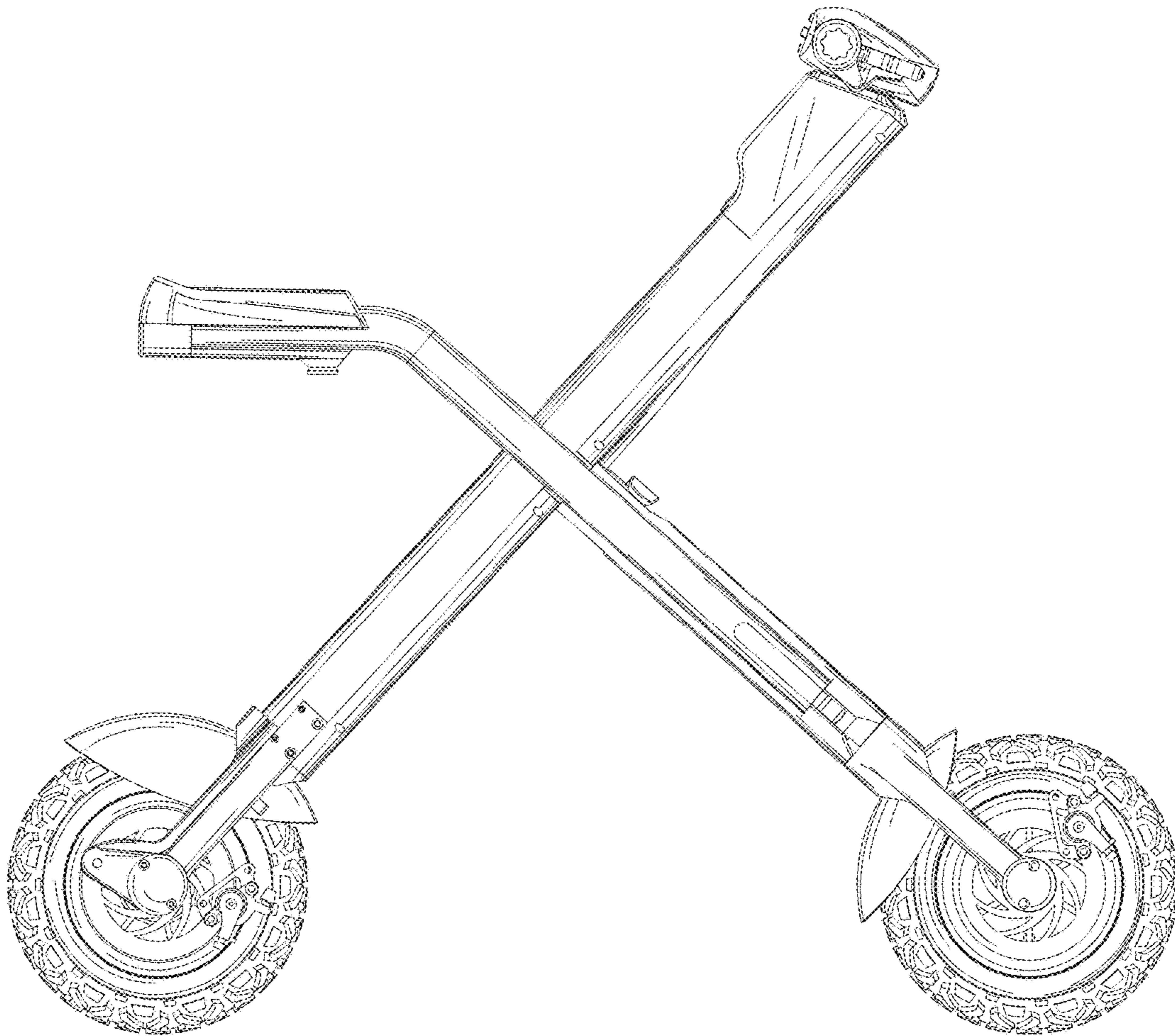


Figure 4

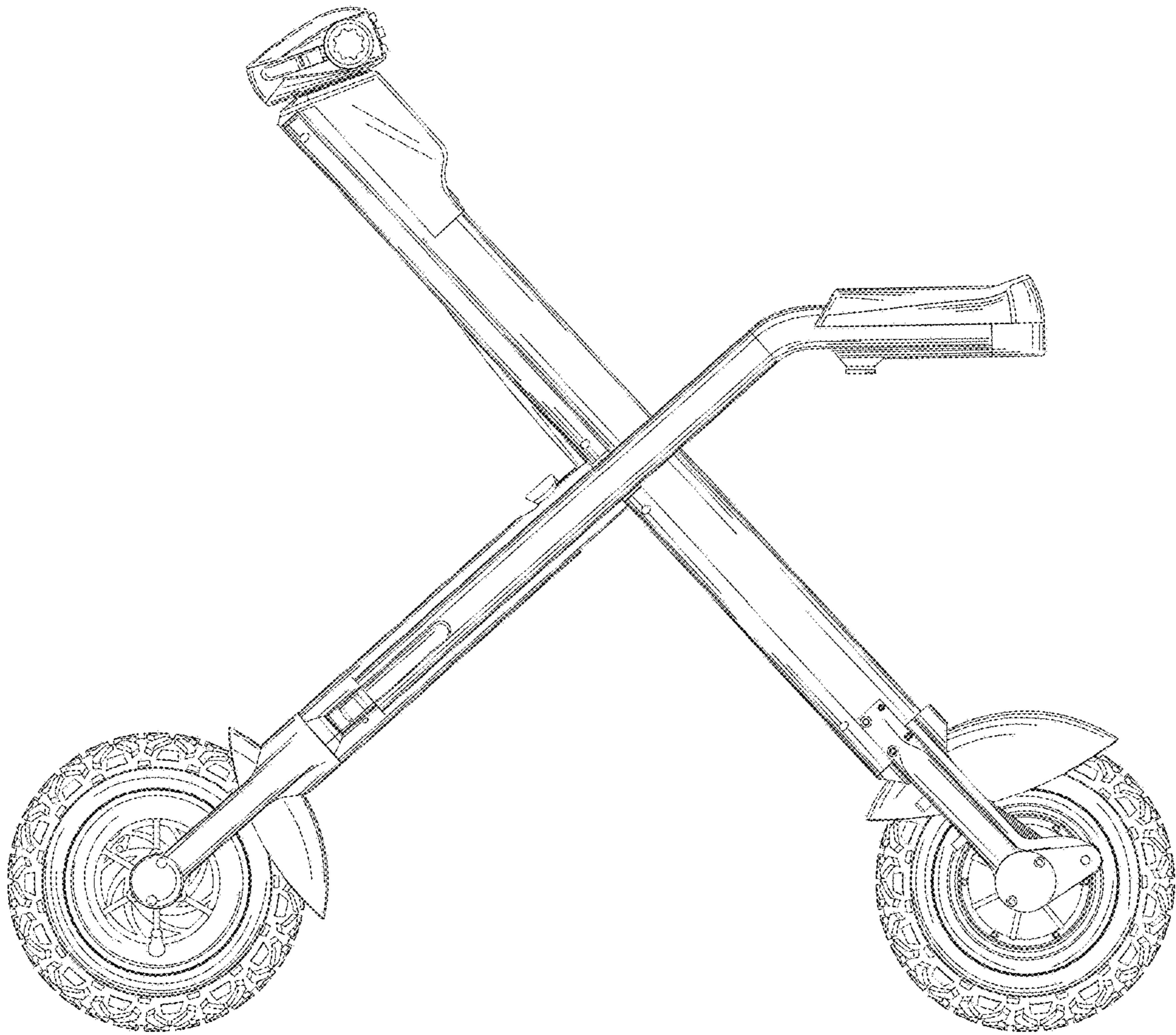


Figure 5

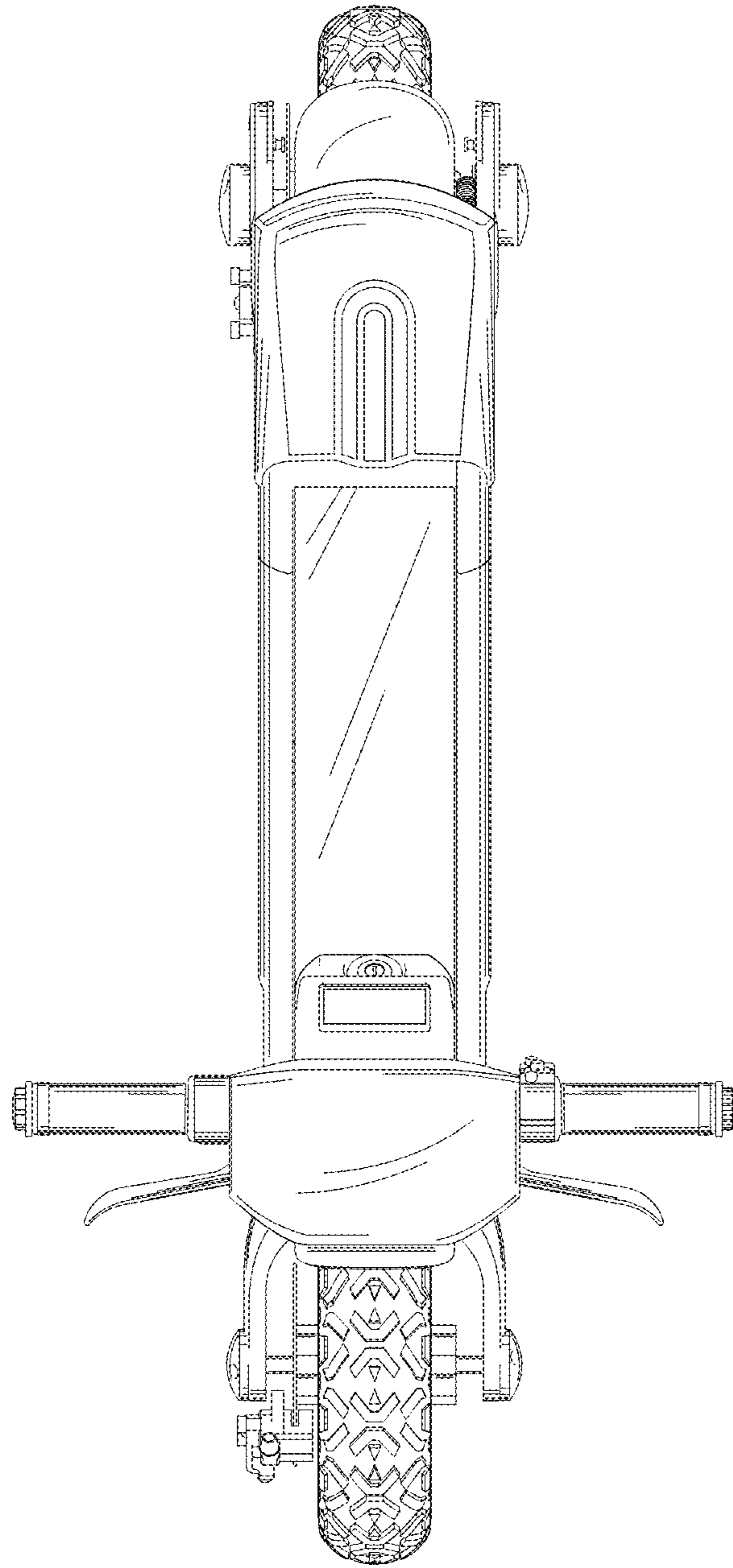


Figure 6

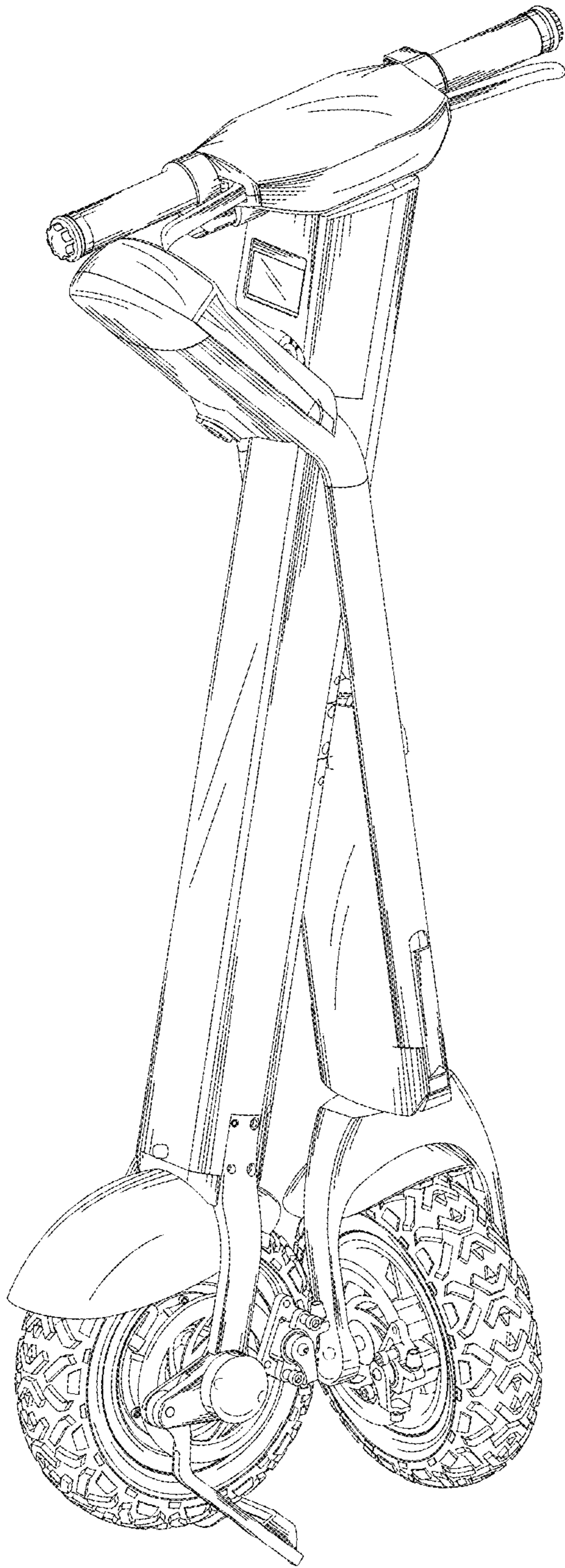


Figure 7