



US00D784199S

(12) **United States Design Patent**  
**Dunshee et al.**

(10) **Patent No.:** **US D784,199 S**  
(45) **Date of Patent:** **\*\* Apr. 18, 2017**

(54) **FOUR-WHEELED VEHICLE OR  
FOUR-WHEELED VEHICLE REPLICA**

(71) Applicant: **HONDA MOTOR CO., LTD.**, Tokyo  
(JP)

(72) Inventors: **Erik Dunshee**, Torrance, CA (US); **Jun  
Tomiyama**, Wako (JP)

(73) Assignee: **HONDA MOTOR CO., LTD.**, Tokyo  
(JP)

(\*\*) Term: **14 Years**

(21) Appl. No.: **29/523,045**

(22) Filed: **Apr. 6, 2015**

(51) **LOC (10) Cl.** ..... **12-13**

(52) **U.S. Cl.**  
USPC ..... **D12/14**

(58) **Field of Classification Search**  
USPC .. D12/1, 12, 14, 15, 222, 223, 86, 400, 401,  
D12/404, 406, 412, 414, 93, 101, 173, 85,  
D12/87, 88, 91; 280/756  
CPC ..... B62D 35/00; B62D 39/00; B62D 47/00;  
B62D 47/003; B62D 63/02; B62D  
33/0617; B62D 33/00; A01B 59/02; B60L  
2200/22; B60Y 2200/86; B60Y 2200/91;  
B60R 21/13; B60R 21/11; B60R 21/131;  
B60R 2021/0074; B60R 2021/0081;  
B60R 2021/0083

See application file for complete search history.

(56) **References Cited**

**U.S. PATENT DOCUMENTS**

D633,006 S \* 2/2011 Sanschagrín ..... D12/1  
D641,288 S \* 7/2011 Sun ..... D12/87  
D699,627 S \* 2/2014 Tang ..... D12/14

D711,778 S \* 8/2014 Chun ..... D12/14  
D712,309 S \* 9/2014 Wu ..... D12/14  
D714,186 S \* 9/2014 Wu ..... D12/14  
D716,694 S \* 11/2014 Higashikawa ..... D12/14  
D735,077 S \* 7/2015 Sato ..... D12/87  
D756,845 S \* 5/2016 Flores ..... D12/14  
D764,974 S \* 8/2016 Mikhailov ..... D12/14  
2012/0175950 A1 \* 7/2012 Lin ..... B60L 1/006  
307/10.1  
2014/0216832 A1 \* 8/2014 Olsen ..... B60K 5/1208  
180/54.1

\* cited by examiner

*Primary Examiner* — T. Chase Nelson

*Assistant Examiner* — Ania Aman

(74) *Attorney, Agent, or Firm* — Birch, Stewart, Kolasch  
& Birch, LLP

(57) **CLAIM**

The ornamental design for a four-wheeled vehicle or a  
four-wheeled vehicle replica, as shown and described.

**DESCRIPTION**

FIG. 1 is a perspective view from the front left side of a  
four-wheeled vehicle or a four-wheeled vehicle replica.

FIG. 2 is a perspective view from the rear left side thereof.

FIG. 3 is a perspective view from the front right side thereof.

FIG. 4 is a perspective view from the rear right side thereof.

FIG. 5 is a left side elevation view thereof.

FIG. 6 is a right side elevation view thereof.

FIG. 7 is a front elevation view thereof.

FIG. 8 is a rear elevation view thereof.

FIG. 9 is a top plan view thereof; and,

FIG. 10 is a bottom plan view thereof.

The broken lines shown in the drawings illustrate portions of  
the four-wheeled vehicle that form no part of the claimed  
design.

**1 Claim, 10 Drawing Sheets**

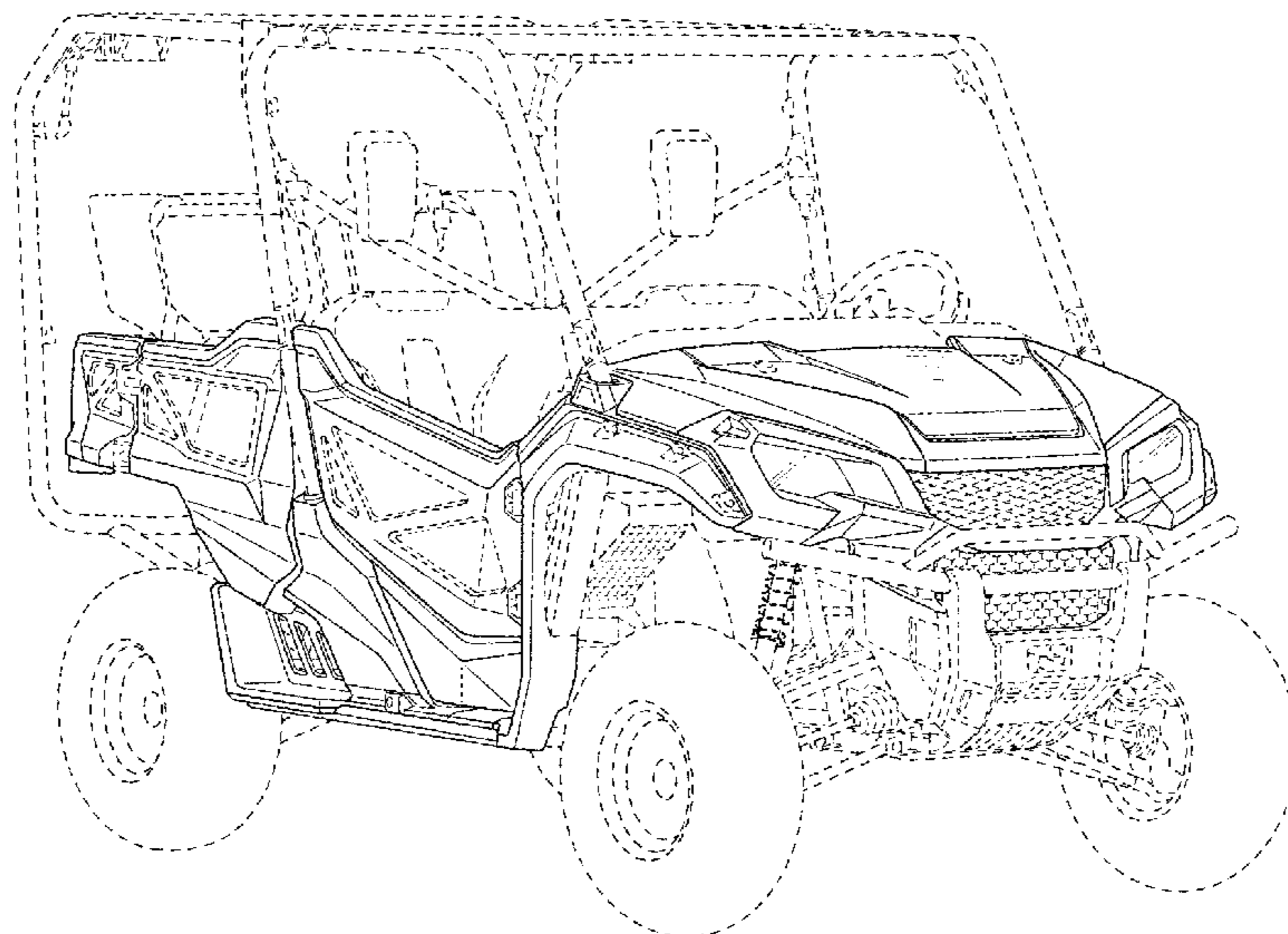


FIG. 1

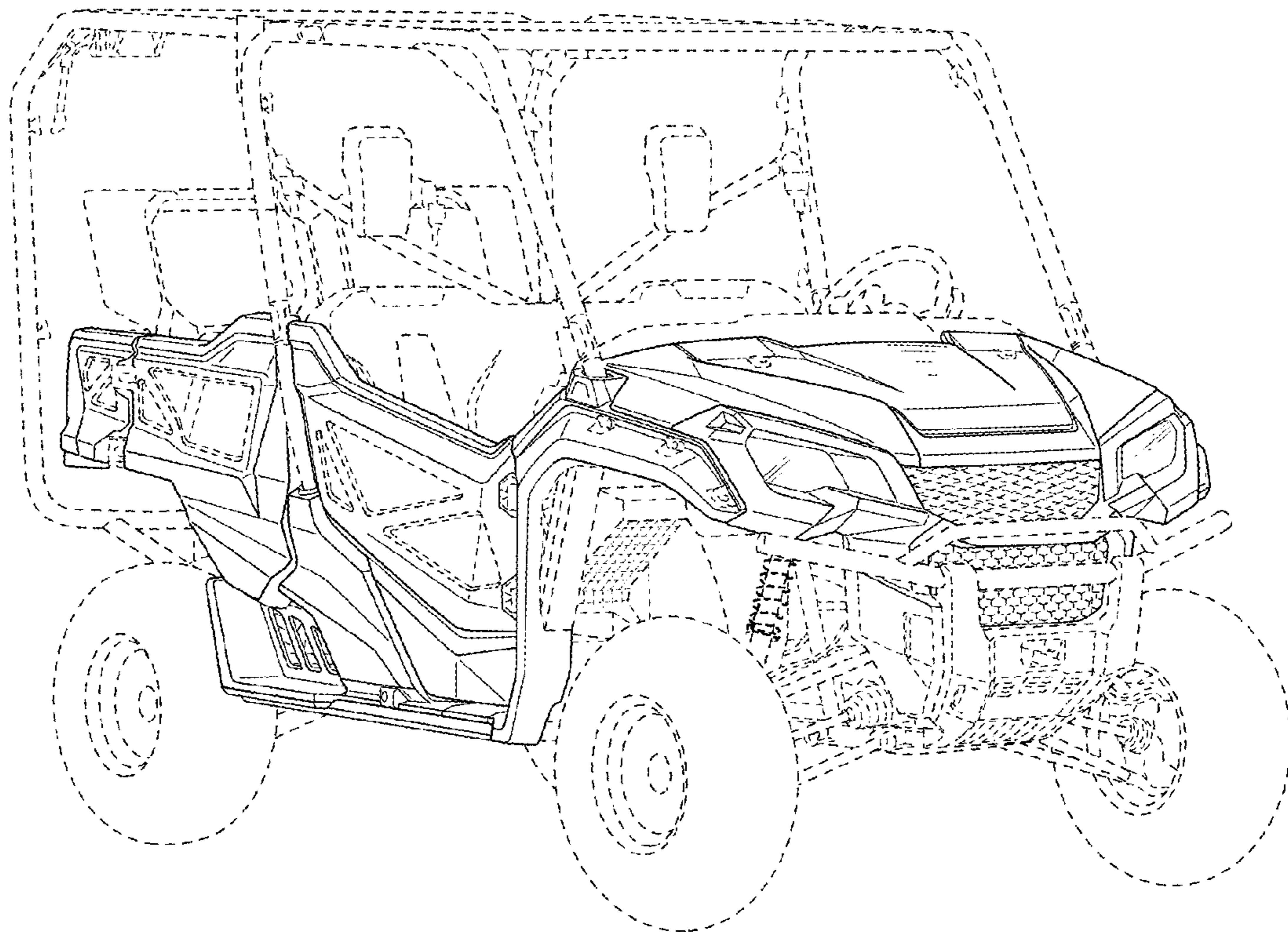


FIG. 2

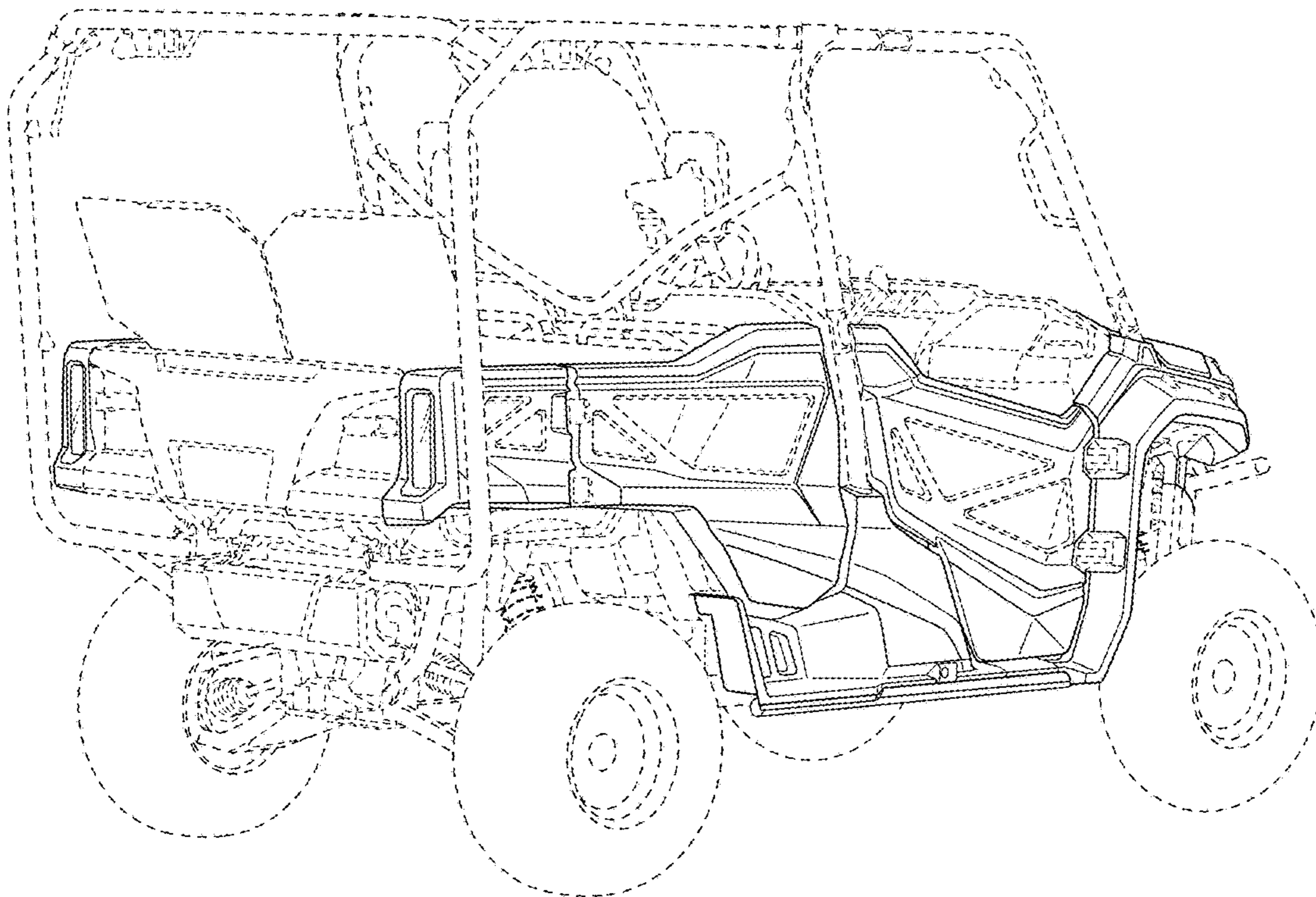


FIG. 3

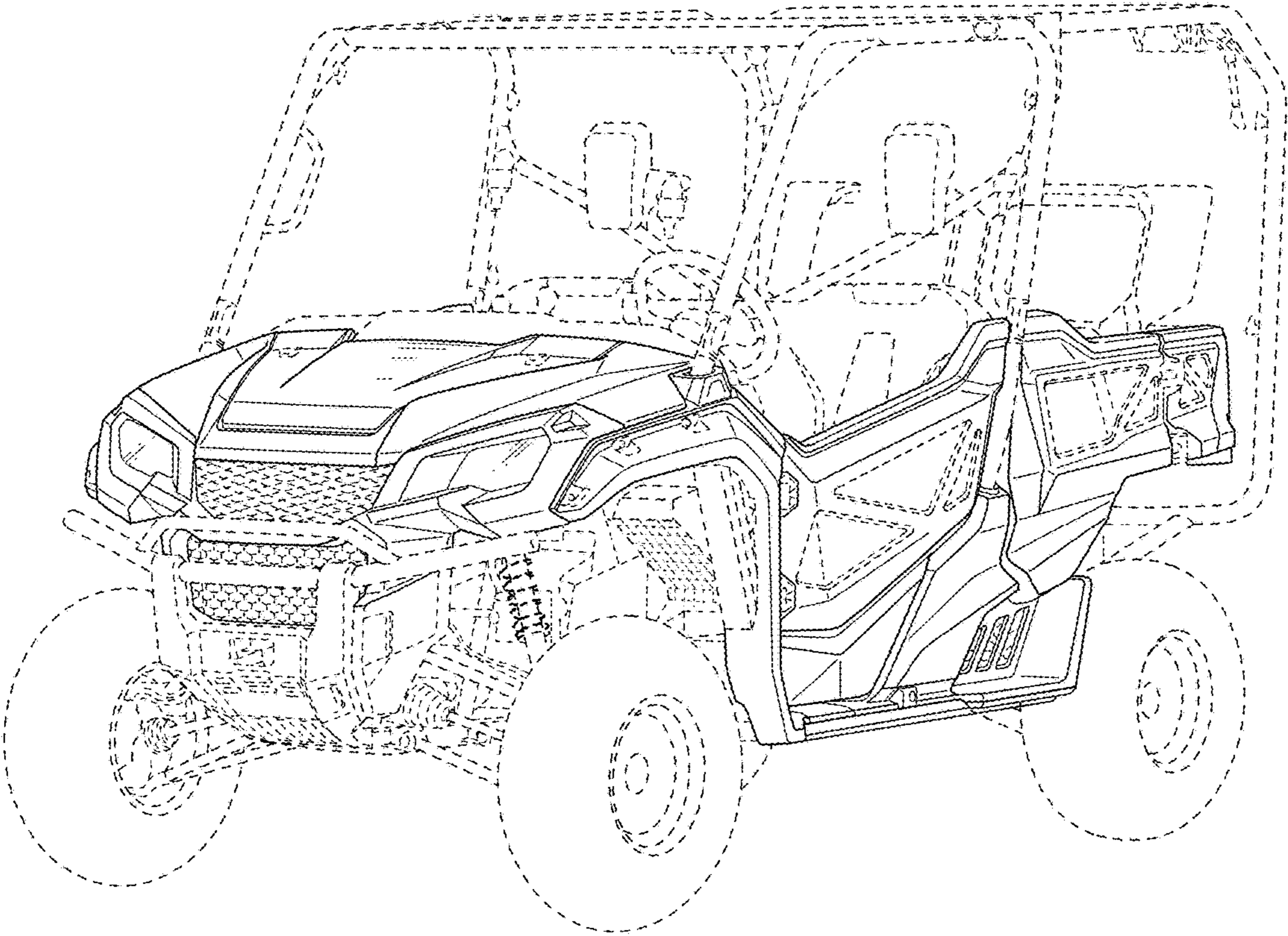


FIG. 4

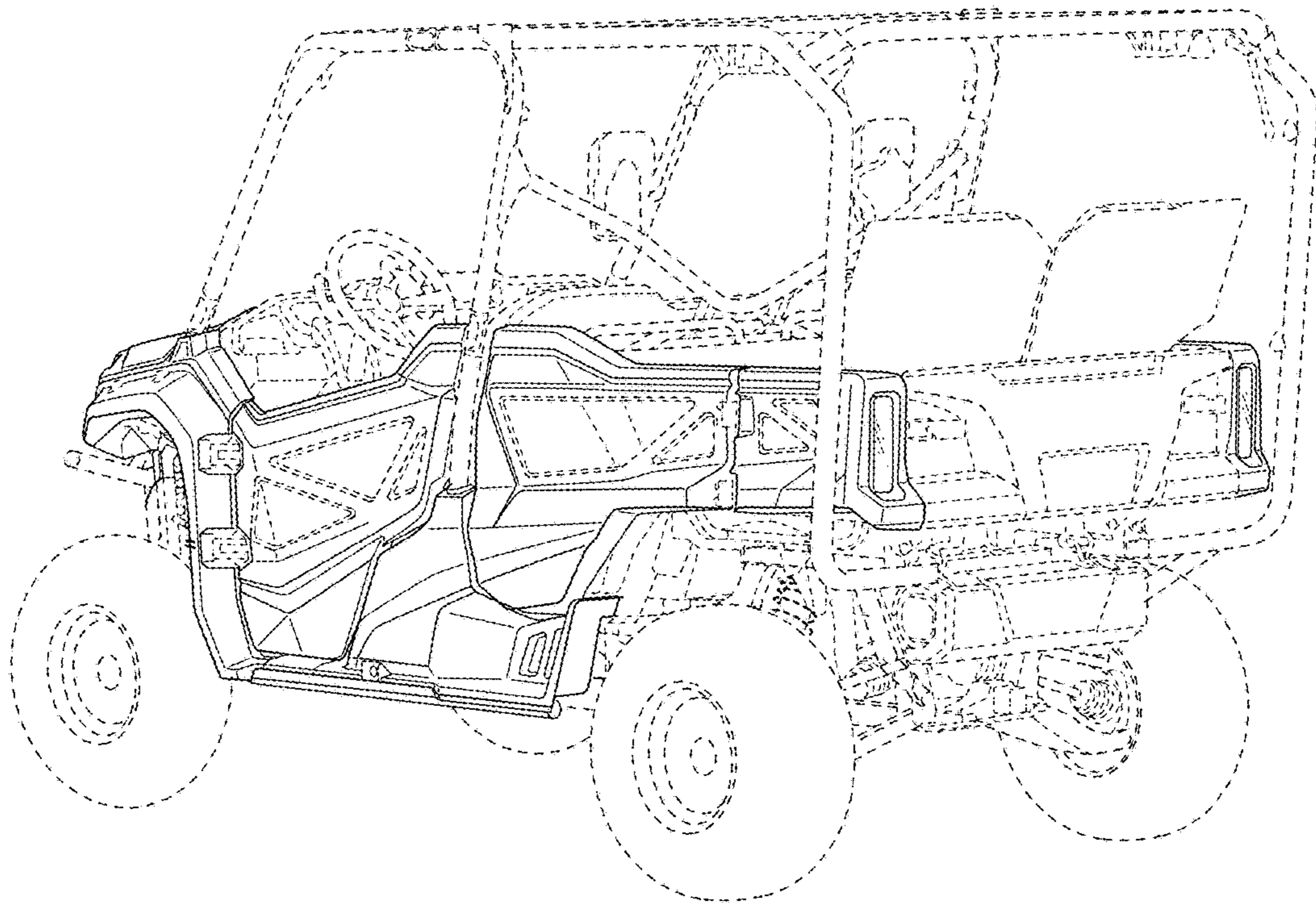


FIG. 5

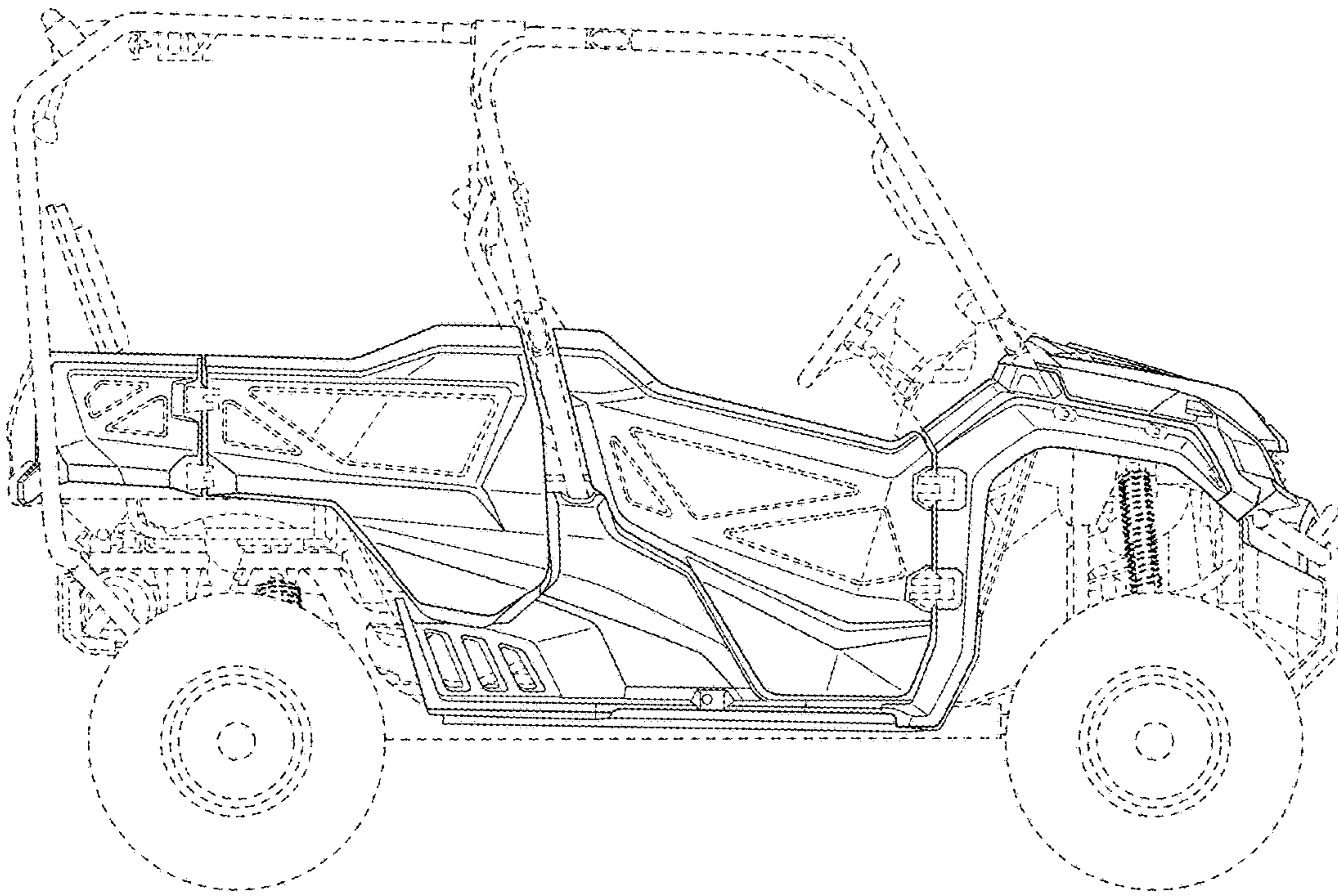


FIG. 6

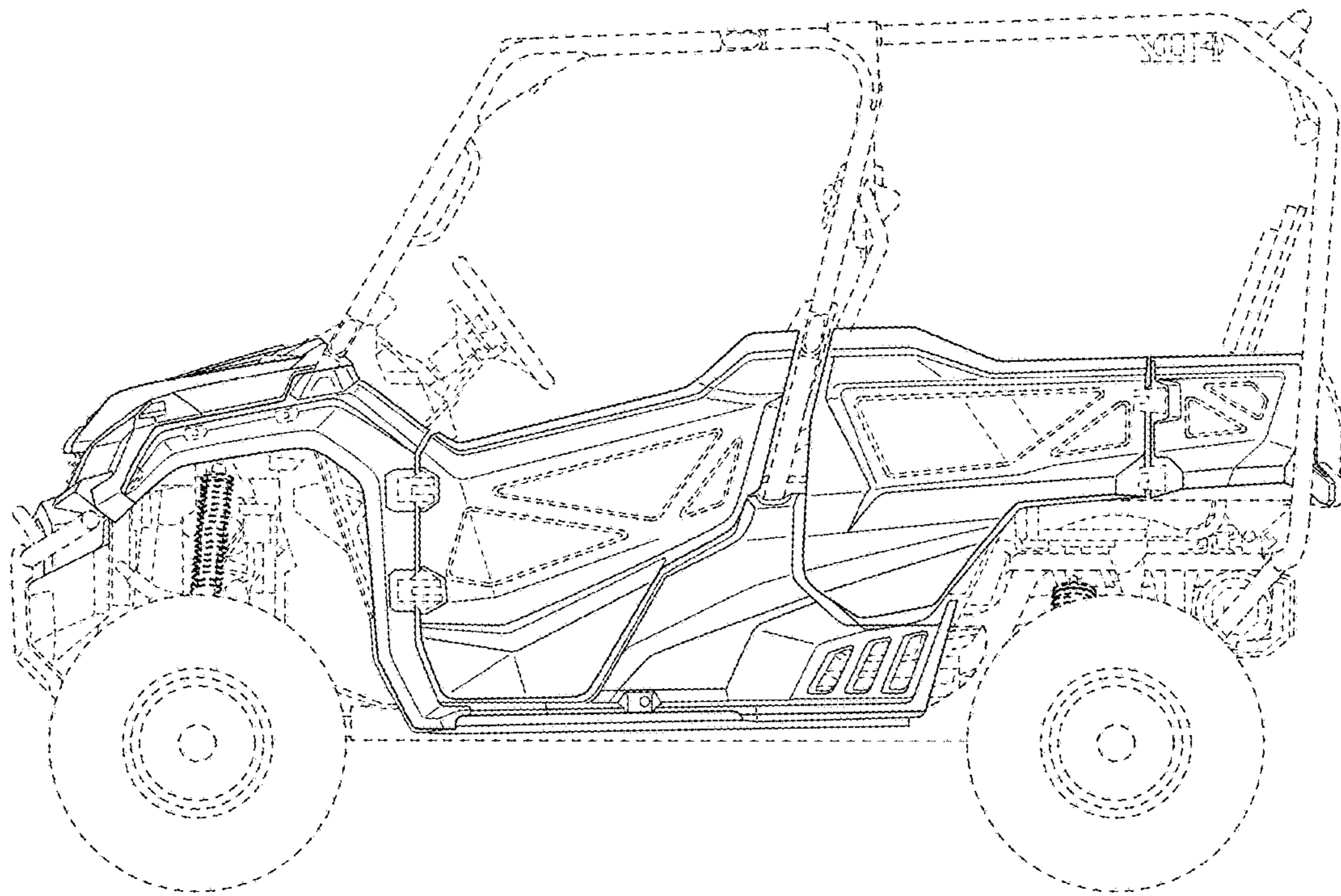


FIG. 7

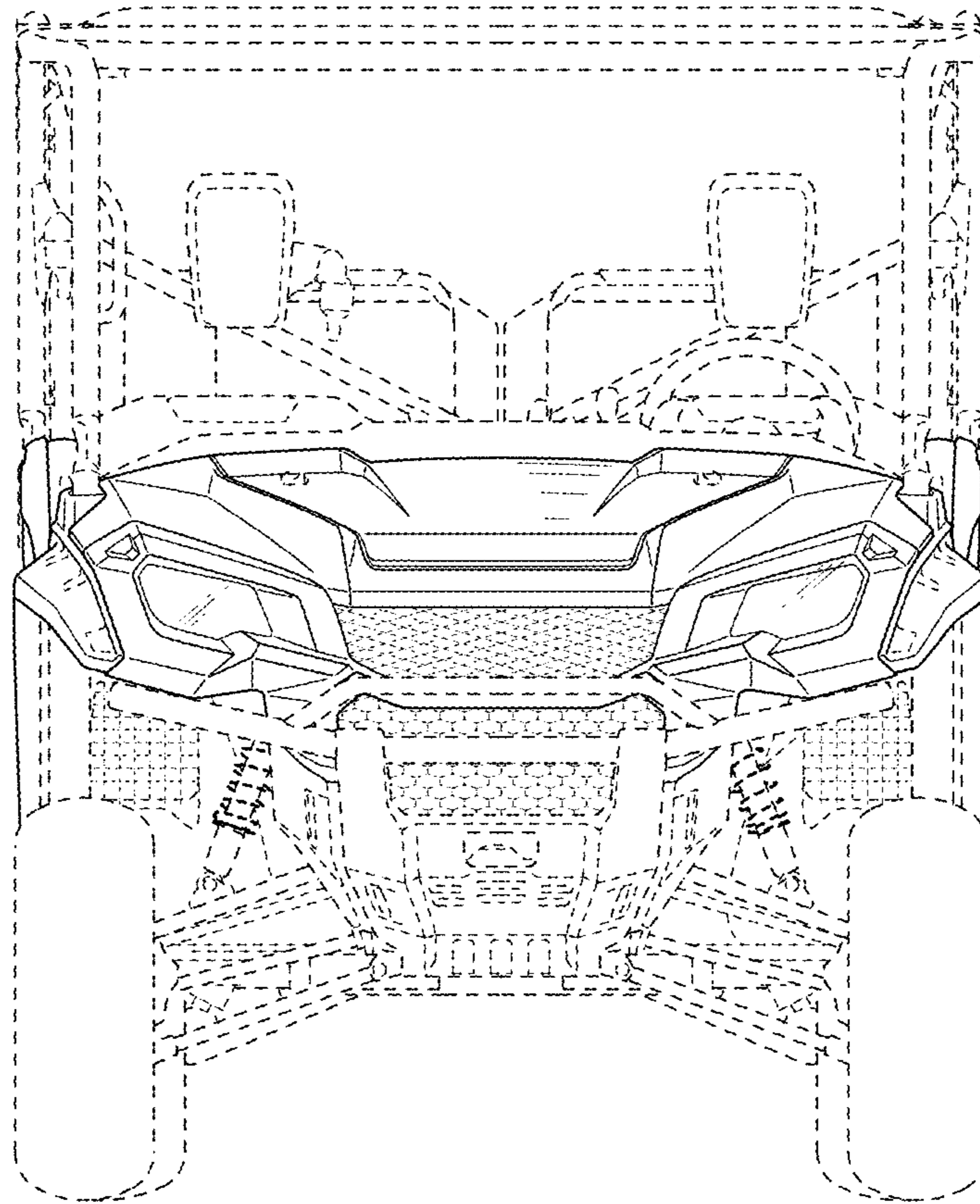




FIG. 8

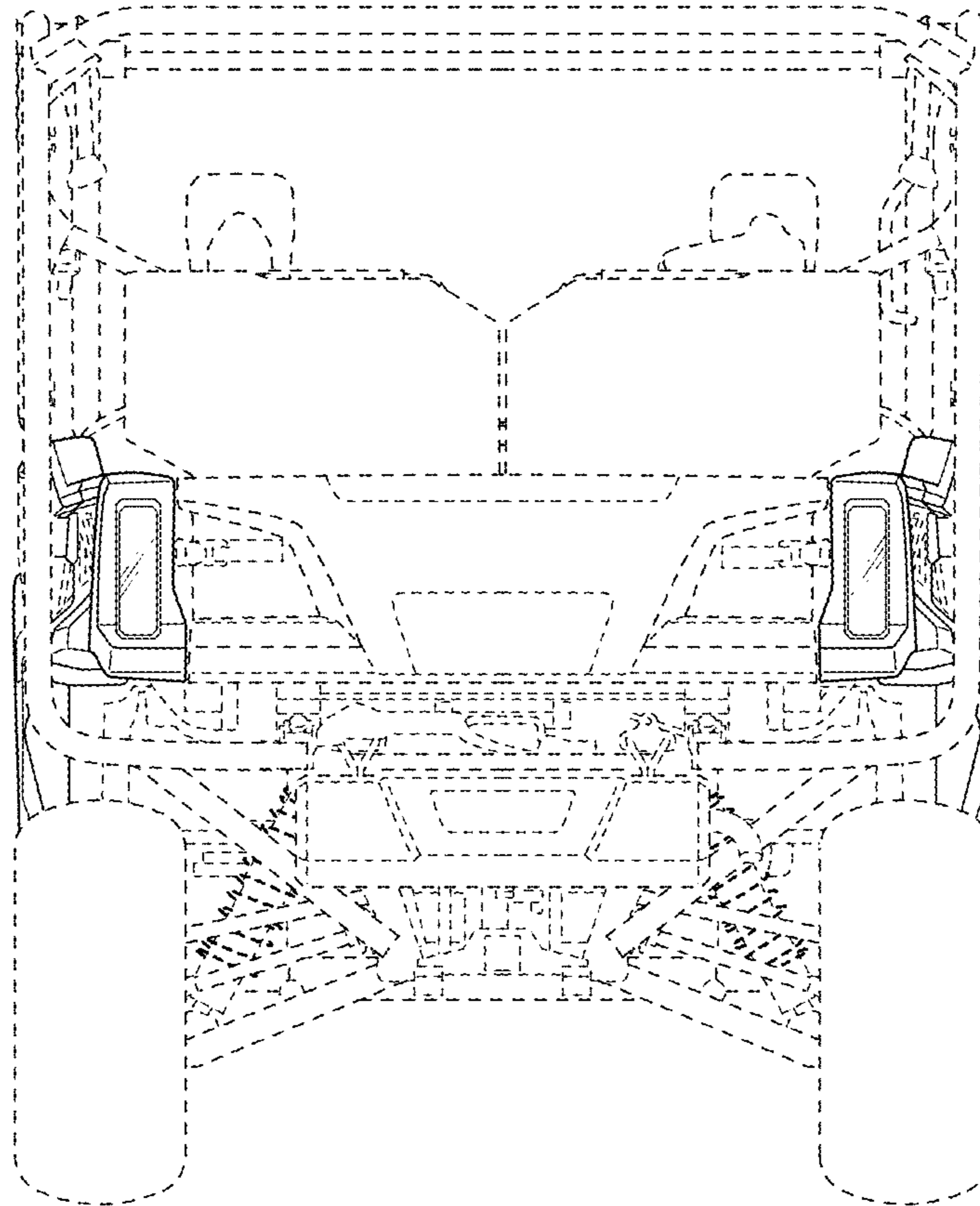


FIG. 9

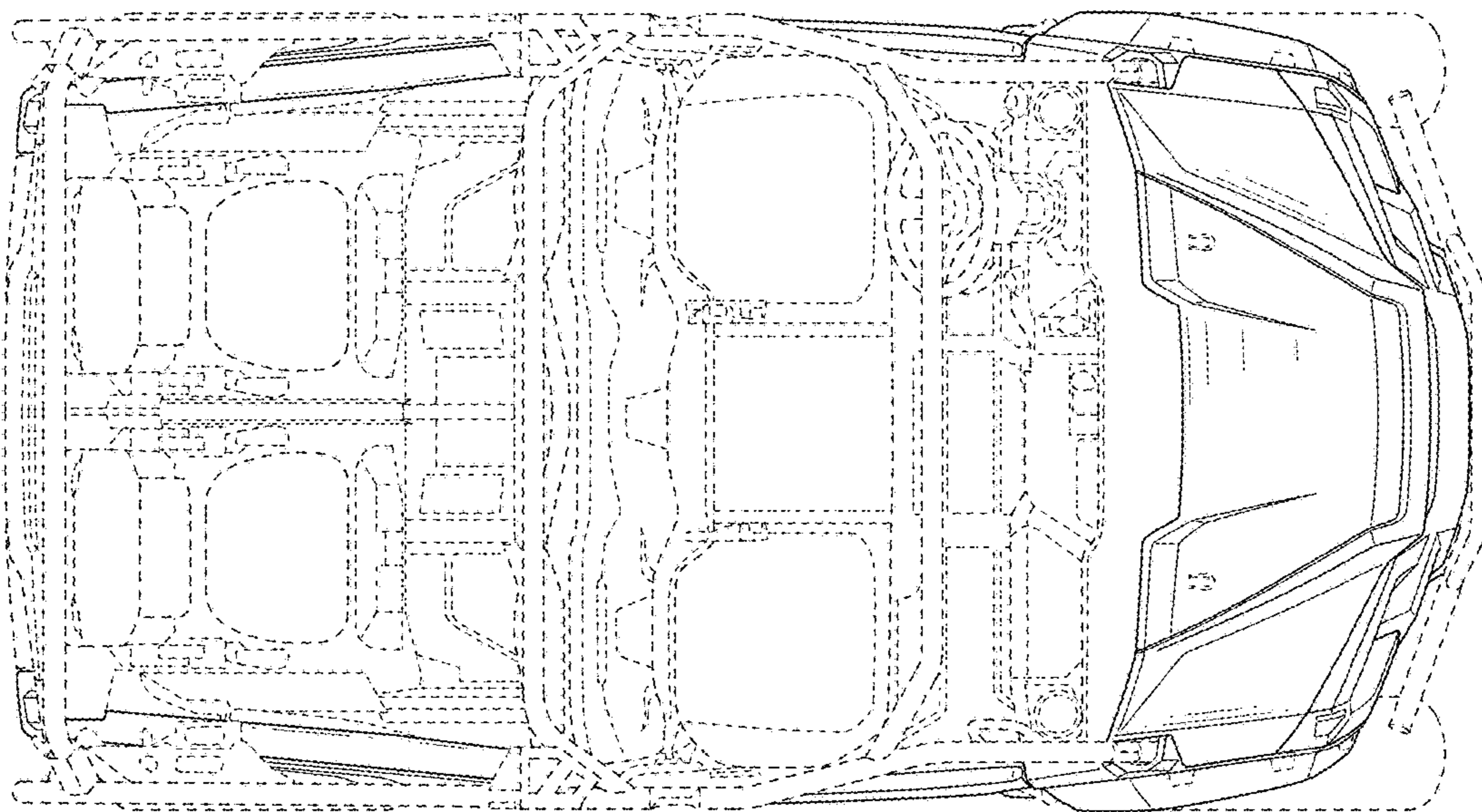


FIG. 10

