



US00D784183S

(12) **United States Design Patent** (10) **Patent No.:** **US D784,183 S**
Amfitheatrof et al. (45) **Date of Patent:** **** Apr. 18, 2017**

(54) **JEWELRY ITEM**

(71) Applicant: **Tiffany and Company**, New York, NY (US)

(72) Inventors: **Francesca Amfitheatrof**, New York, NY (US); **Michal Dayan**, Brooklyn, NY (US); **Nina Martensson**, Juoksengi (SE)

(73) Assignee: **Tiffany and Company**, New York, NY (US)

(**) Term: **15 Years**

(21) Appl. No.: **29/578,011**

(22) Filed: **Sep. 16, 2016**

Related U.S. Application Data

(62) Division of application No. 29/504,306, filed on Oct. 3, 2014.

(51) **LOC (10) Cl.** **11-01**

(52) **U.S. Cl.**
USPC **D11/27**

(58) **Field of Classification Search**

USPC D11/1-39, 91, 92
CPC A44C 5/00; A44C 5/0007; A44C 5/0015;
A44C 5/0023; A44C 5/003; A44C
5/0038; A44C 5/0046; A44C 9/00; A44C
9/0007; A44C 9/0015; A44C 9/0023;
A44C 9/003; A44C 9/0038; A44C
9/0046; A44C 9/0053; A44C 9/0061;
A44C 9/0069; A44C 9/0076; A44C 17/02

See application file for complete search history.

(56) **References Cited**

U.S. PATENT DOCUMENTS

D126,373 S * 4/1941 Braun 63/15
D197,799 S * 3/1964 Nolan D11/26
D244,675 S * 6/1977 Mobell D11/27
D402,570 S * 12/1998 Wright D10/31

D494,882 S * 8/2004 Hara D11/26
D565,450 S * 4/2008 Lebail D11/27
D593,431 S * 6/2009 Komenaka D11/26
D632,991 S * 2/2011 Caroline D11/27

(Continued)

OTHER PUBLICATIONS

[online] http://media.tiffany.com/is/image/Tiffany/EcomBrowseM/tiffany-t-wire-bracelet-33263473_940092_ED_M.jpg?op_usm=2.00,1.00,6.00&defaultImage=NoImageAvailable&&
Retrieved Dec. 7, 2016.*

Primary Examiner — Melanie Pellegrini

(74) *Attorney, Agent, or Firm* — Fross Zelnick Lehrman & Zissu P.C.; Charles T. J. Weigell, Esq.; Lawrence E. Apolzon, Esq.

(57) **CLAIM**

The ornamental design for a jewelry item, as shown and described.

DESCRIPTION

FIG. 1 is a front perspective view of a jewelry item showing our new design;

FIG. 2 is a front view thereof;

FIG. 3 is a rear view thereof;

FIG. 4 is a left side view thereof;

FIG. 5 is a right side view thereof;

FIG. 6 is a top view thereof;

FIG. 7 is a bottom view thereof;

FIG. 8 is a front perspective view of a second embodiment of a jewelry item showing our new design;

FIG. 9 is a front view thereof;

FIG. 10 is a rear view thereof;

FIG. 11 is a left side view thereof;

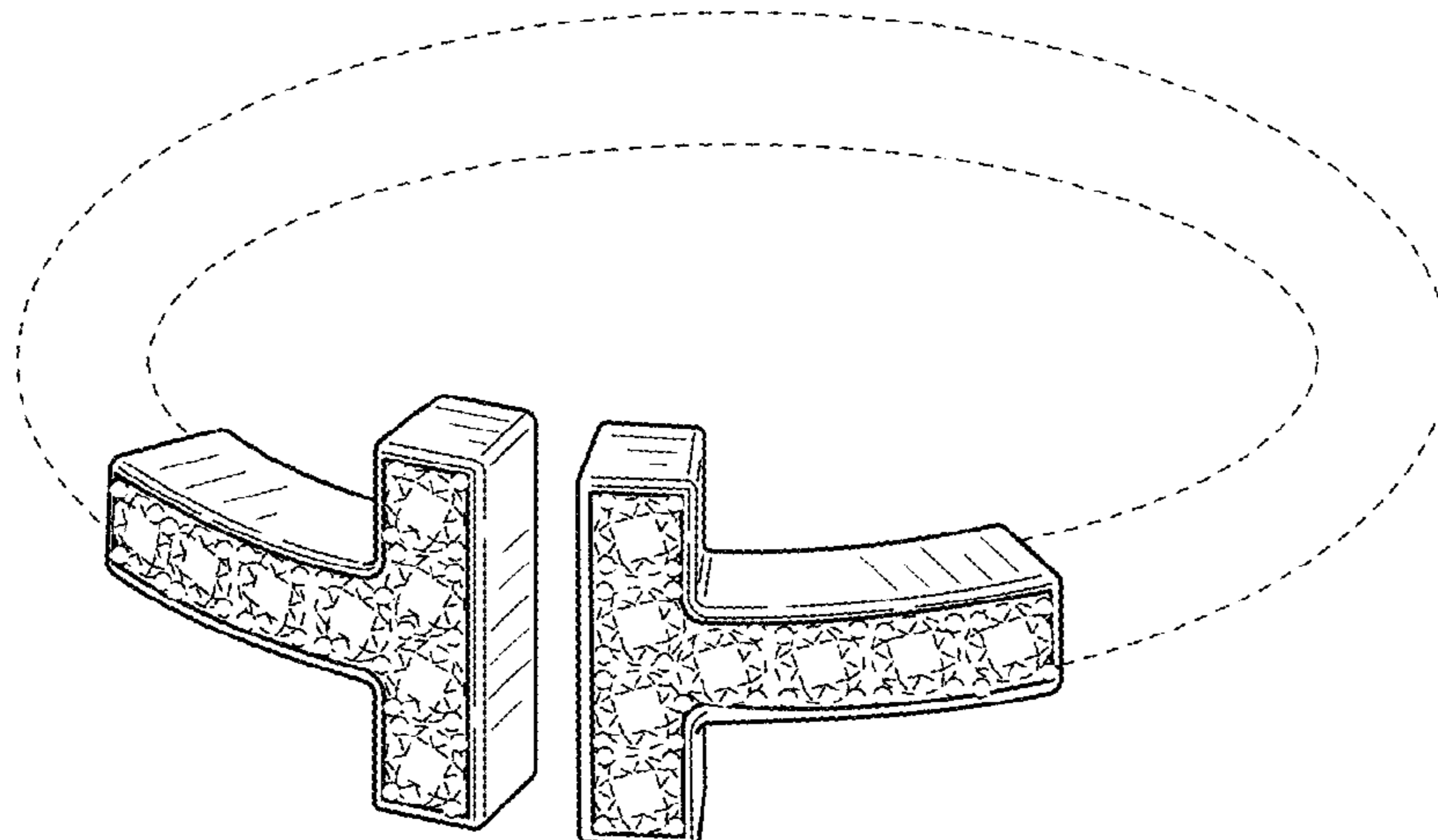
FIG. 12 is a right side view thereof;

FIG. 13 is a top view thereof; and,

FIG. 14 is a bottom view thereof.

The broken lines represent portions of the jewelry item which form no part of the claimed design.

1 Claim, 6 Drawing Sheets



(56)

References Cited

U.S. PATENT DOCUMENTS

D634,665 S *	3/2011	Lagnese	D11/60
D635,880 S *	4/2011	Gaspard	D11/27
D691,506 S *	10/2013	Hardy	D11/27
D713,294 S *	9/2014	Mouquet	D11/231
D757,591 S *	5/2016	Amfitheatrof	D11/222

* cited by examiner

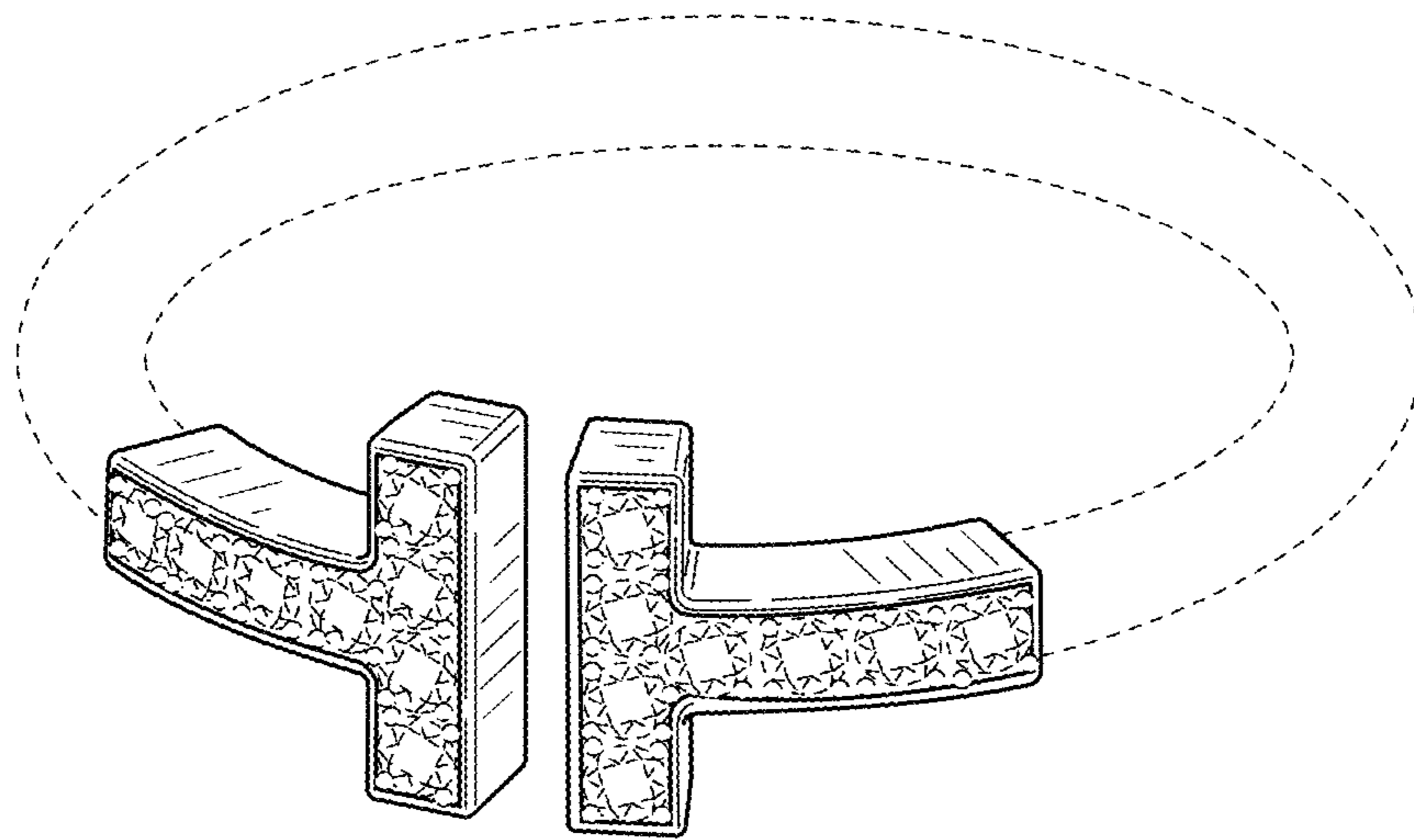


Fig. 1

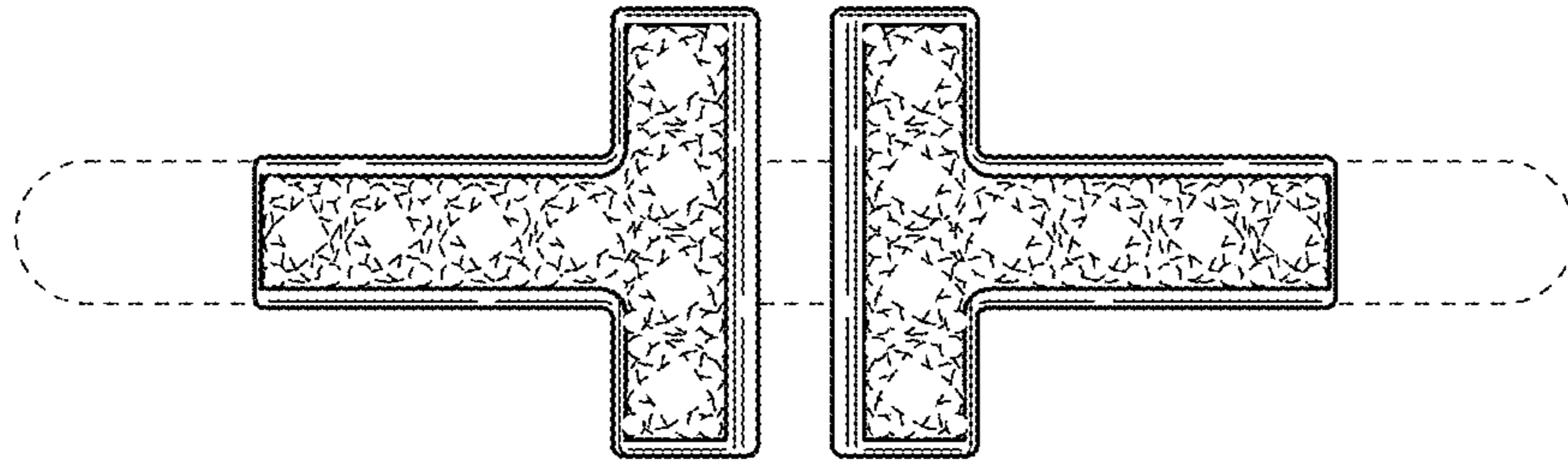


Fig. 2

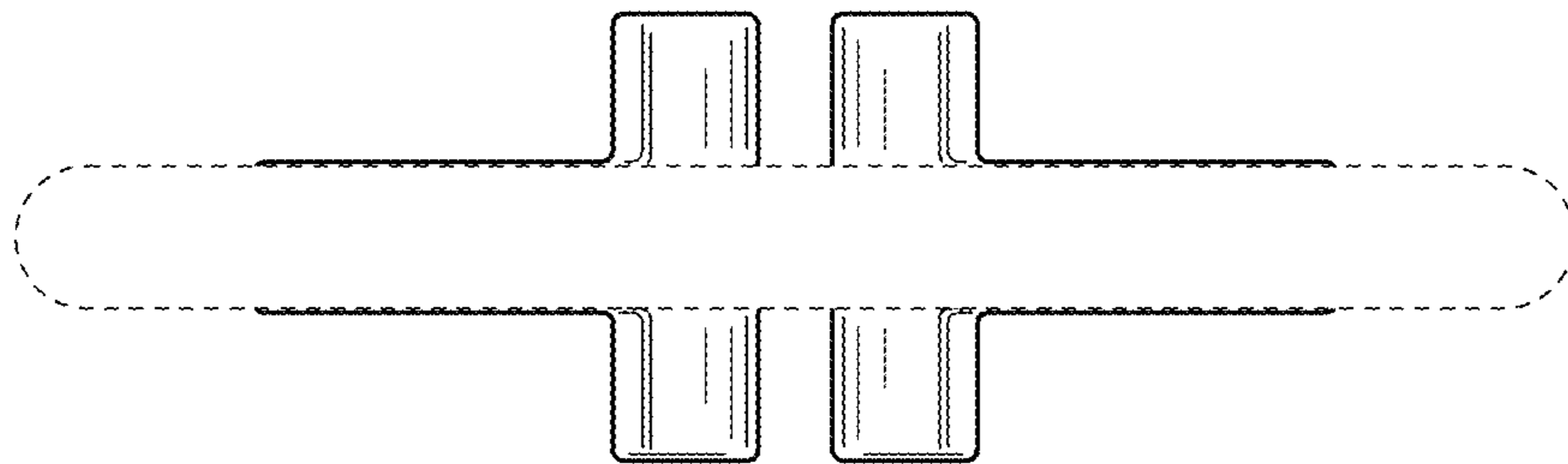


Fig. 3

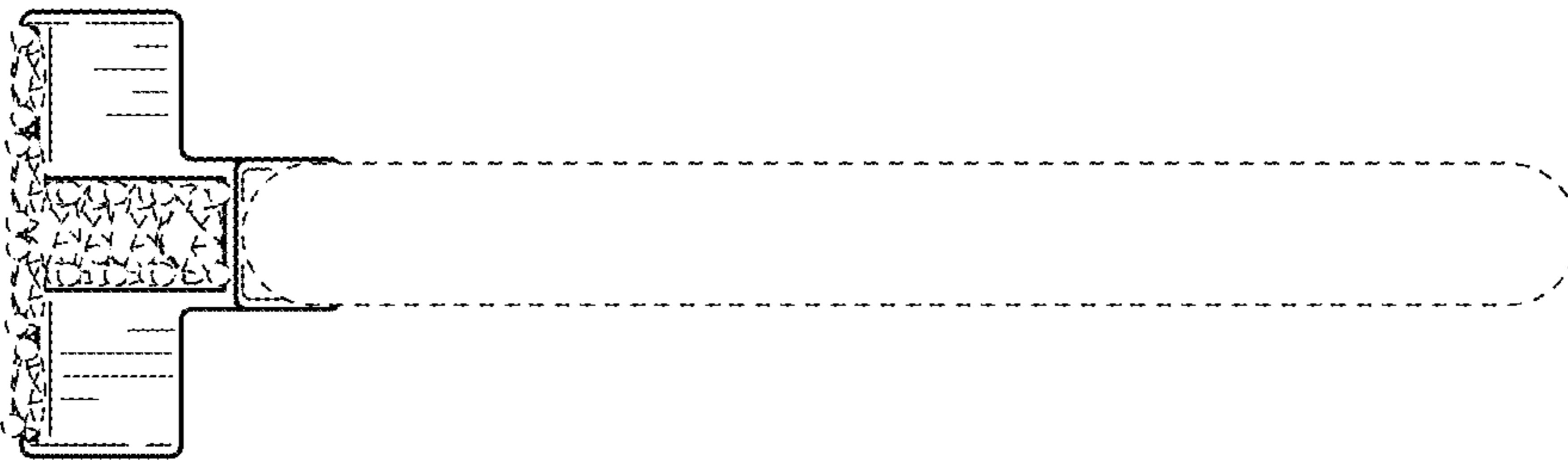


Fig. 4

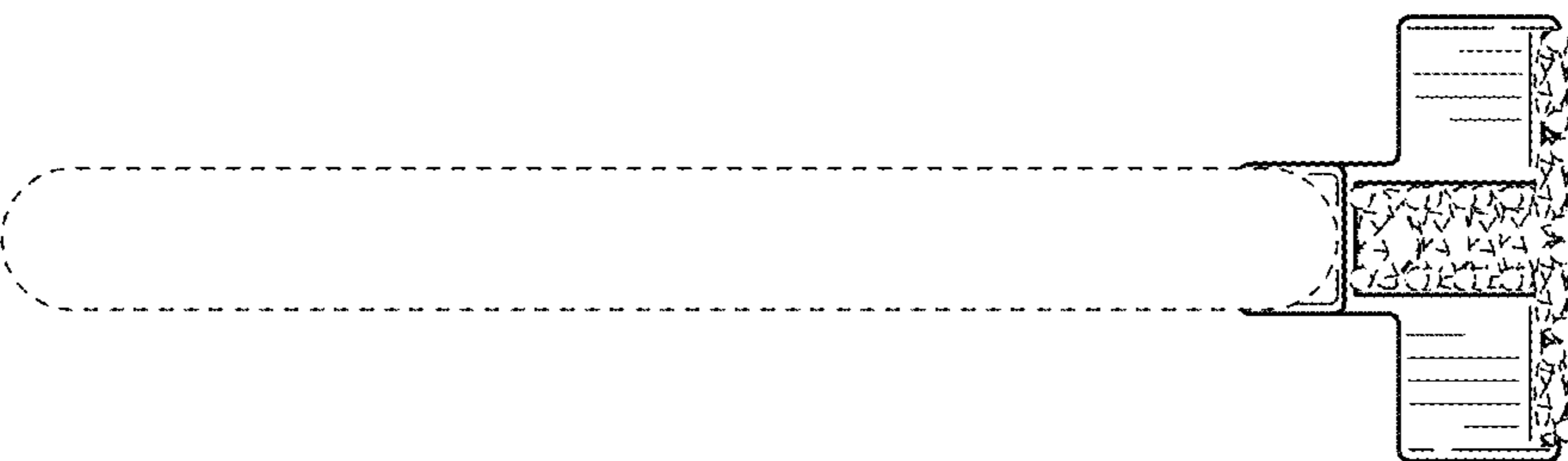


Fig. 5

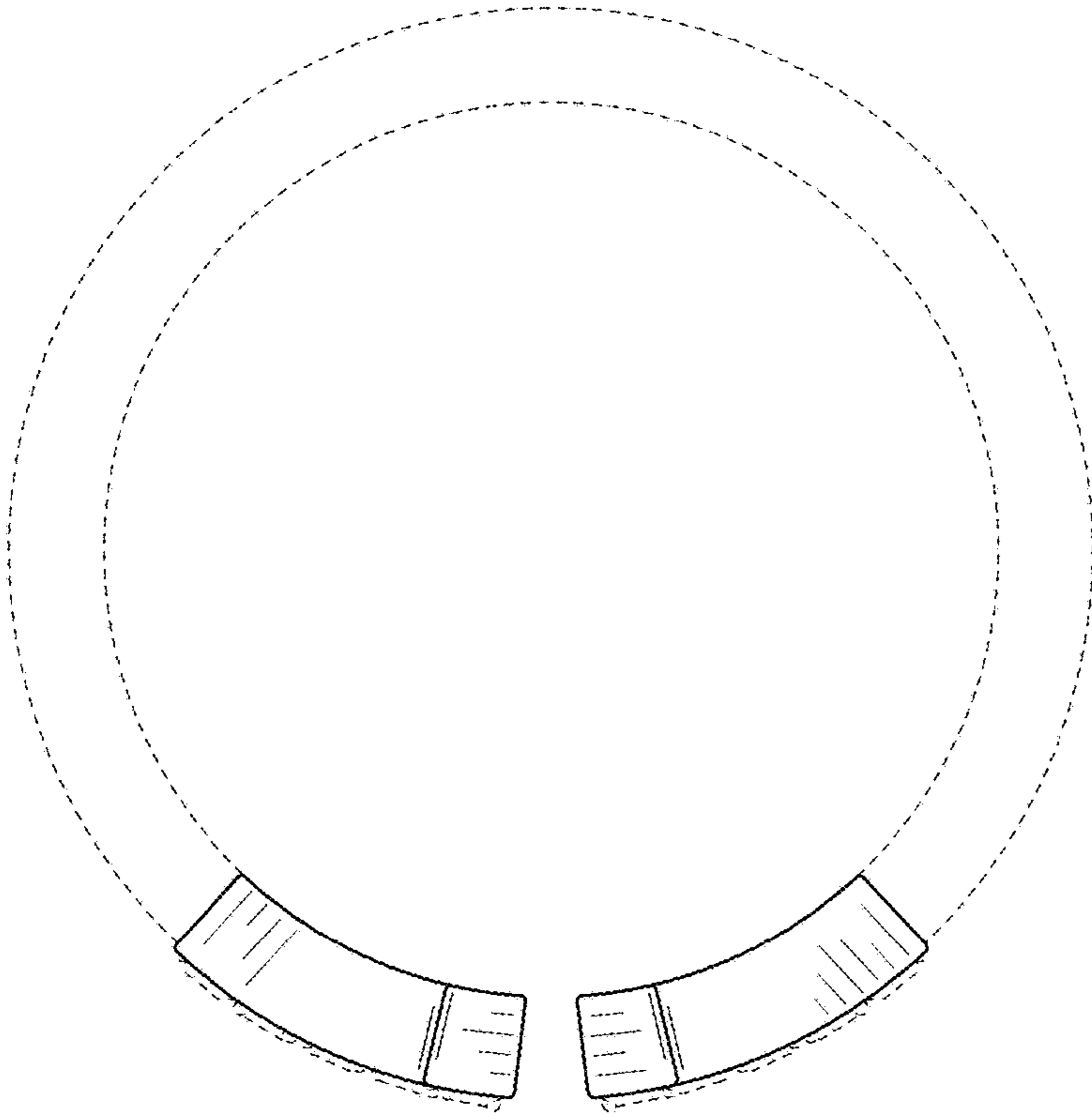


Fig. 6

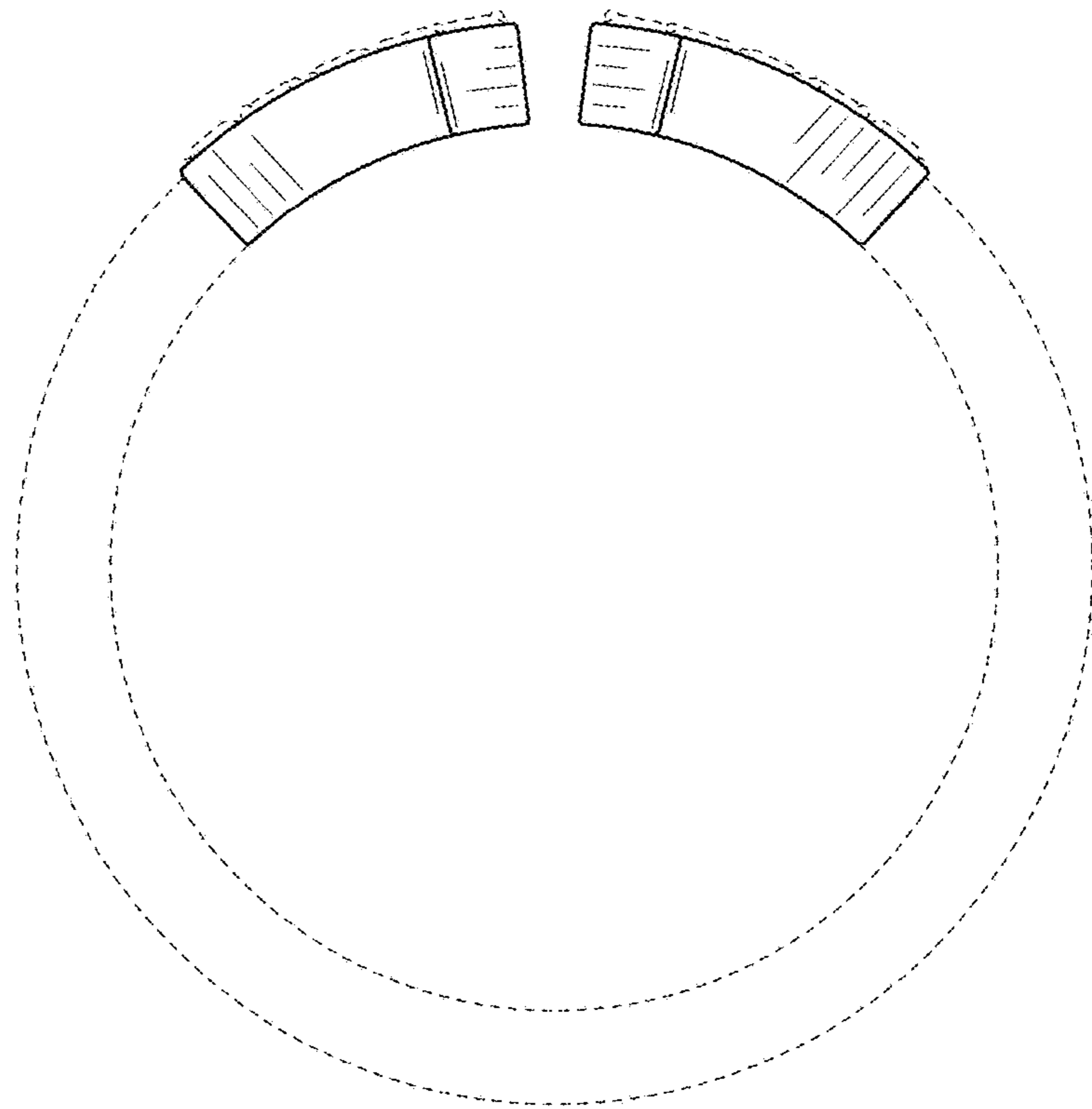


Fig. 7

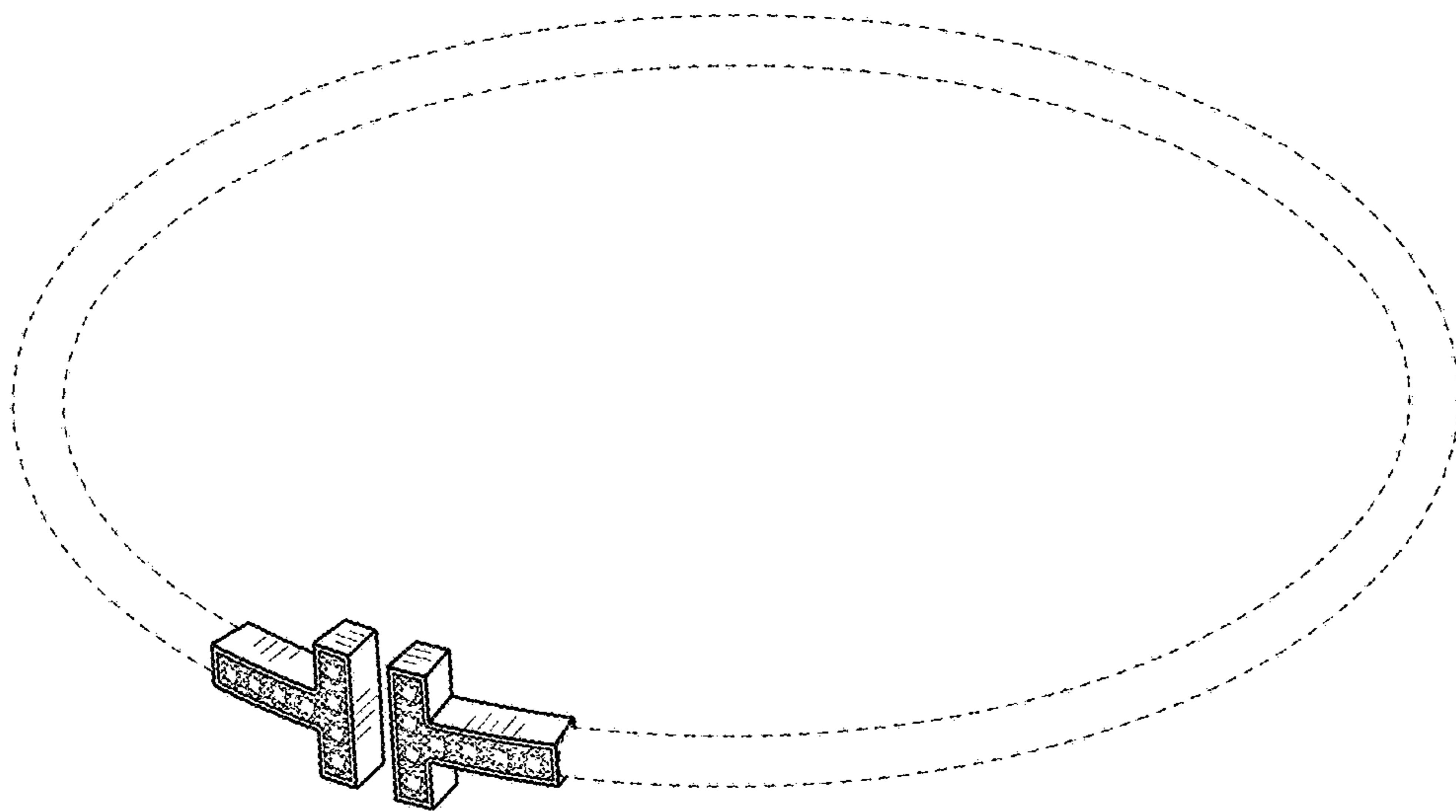


Fig. 8

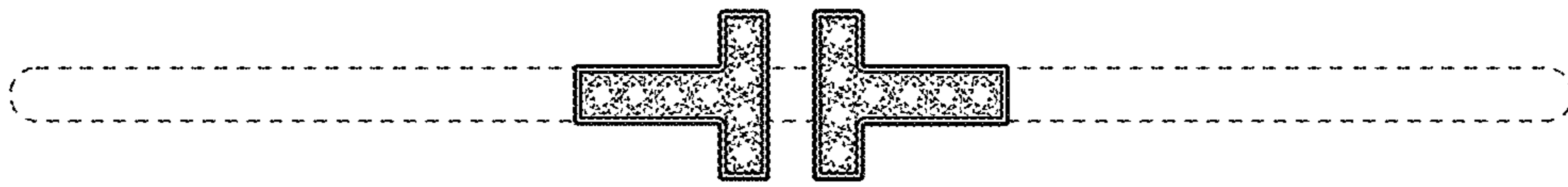


Fig. 9

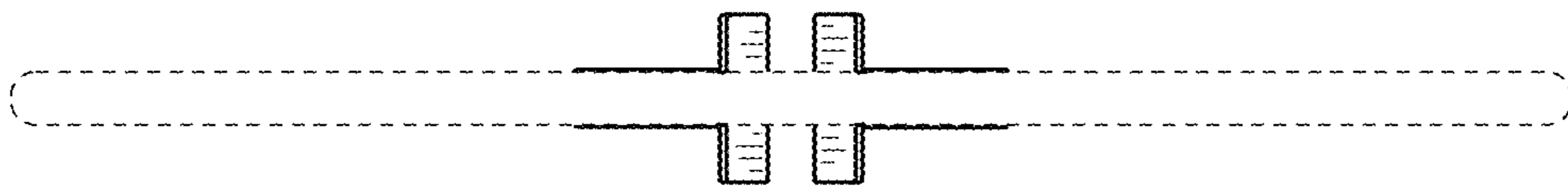


Fig. 10

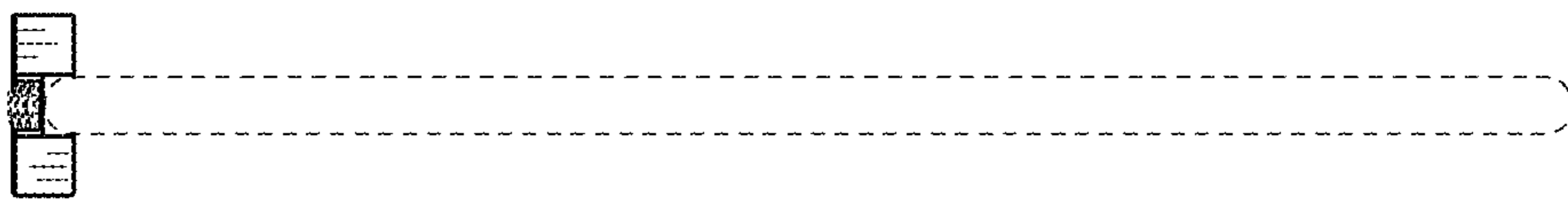


Fig. 11

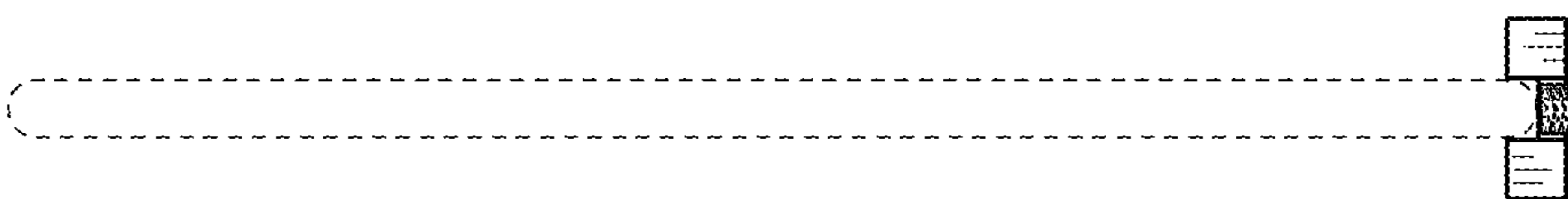


Fig. 12

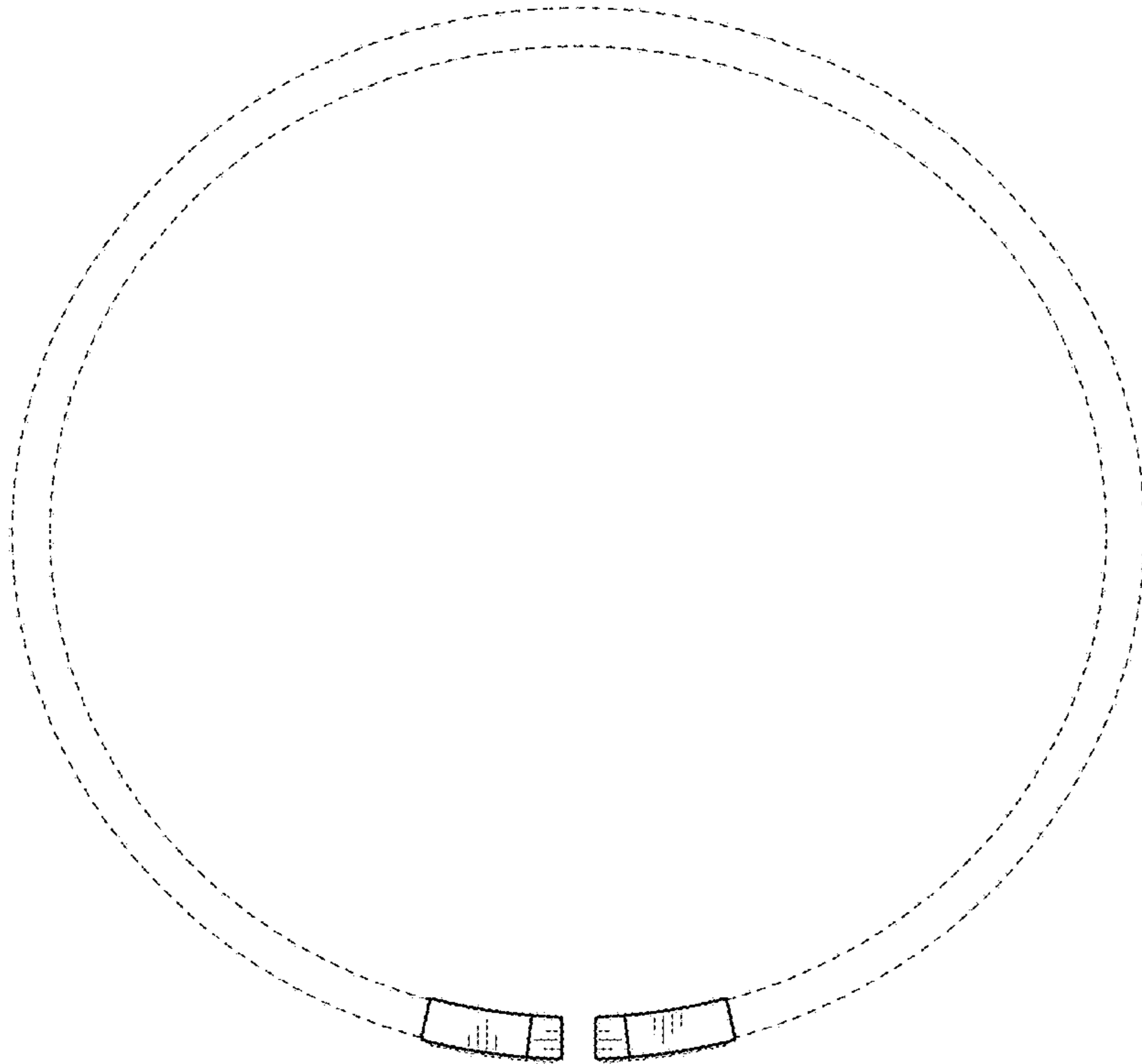


Fig. 13

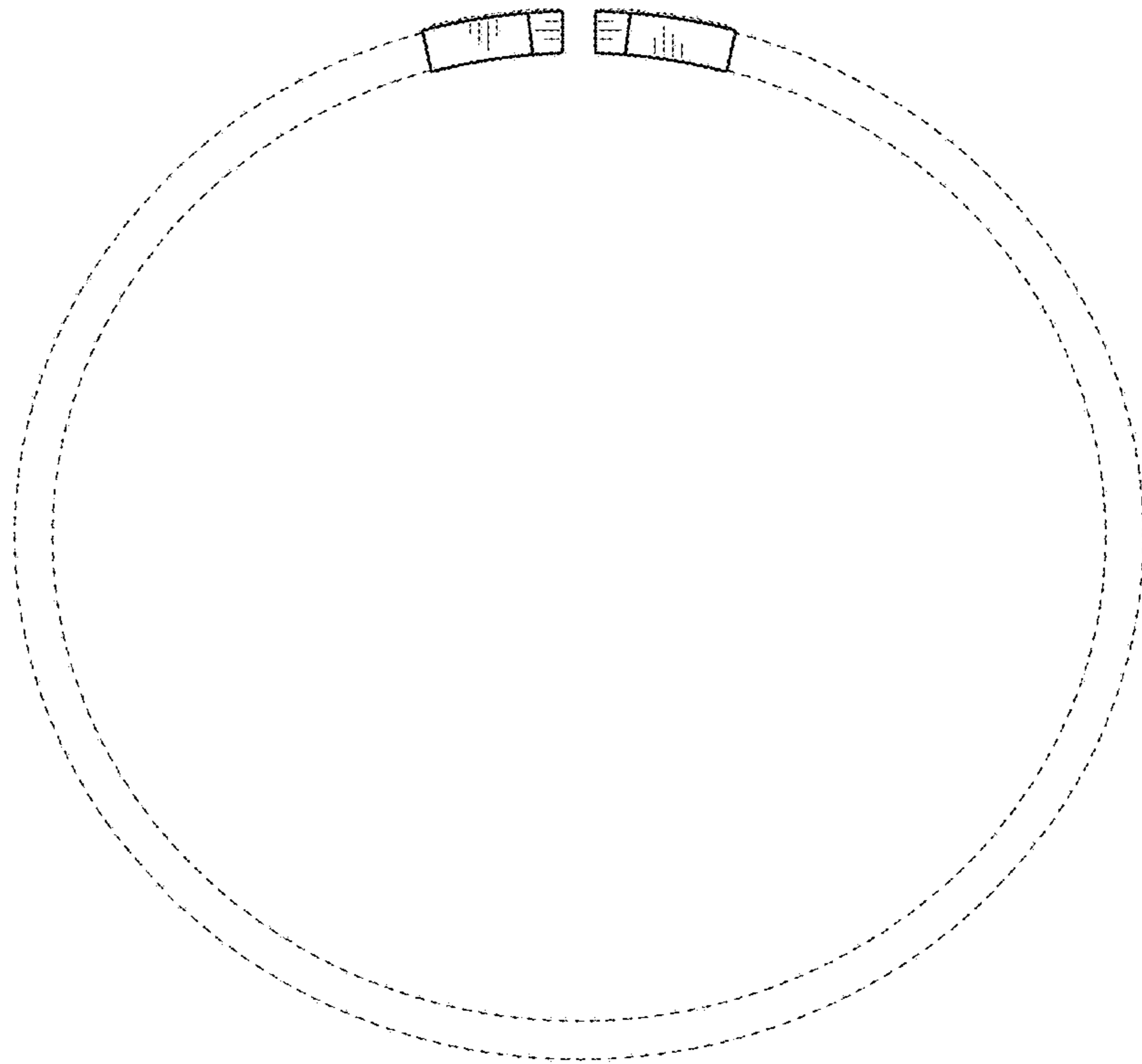


Fig. 14